



US00D880006S

(12) **United States Design Patent**
Gomez

(10) **Patent No.:** **US D880,006 S**
(45) **Date of Patent:** **** Mar. 31, 2020**

- (54) **TRUSS**
- (71) Applicant: **Stage FX, Inc.**, City of Industry, CA (US)
- (72) Inventor: **Adrian Gomez**, Upland, CA (US)
- (73) Assignee: **Stage FX, Inc.**, City of Industry, CA (US)
- (**) Term: **15 Years**
- (21) Appl. No.: **29/660,092**
- (22) Filed: **Aug. 17, 2018**
- (51) **LOC (12) Cl.** **25-02**
- (52) **U.S. Cl.**
USPC **D25/61**
- (58) **Field of Classification Search**
USPC D25/61, 62, 66, 68, 126, 164, 199
CPC . E04B 1/18; E04B 1/1903; E04H 3/26; E04H 3/28; B60R 3/007; A01M 31/02; A01M 31/025; E06C 7/16; E04C 2/543; E06B 7/28
See application file for complete search history.

6,581,819 B1 * 6/2003 Aota B23K 20/122
228/112.1
D670,821 S * 11/2012 Shepherd D25/68
D781,453 S * 3/2017 Gomez D25/68
D796,063 S * 8/2017 Dettbarn D25/164
(Continued)

FOREIGN PATENT DOCUMENTS

JP D1221561 * 11/2004
JP D1441653 * 5/2012

OTHER PUBLICATIONS

Roof Truss Structure Los Angeles Stage FX Inc <https://www.stagefxinc.com/services/roof-truss-structure/> May 2018 (Year: 2018).*
(Continued)

Primary Examiner — Leanne Was-Englehart
(74) *Attorney, Agent, or Firm* — Traverse Legal, PLC

(57) **CLAIM**

I claim the ornamental design for a truss, as shown and described.

DESCRIPTION

FIG. 1 is a front perspective view of a truss;
FIG. 2 is a front elevational view of the truss of FIG. 1;
FIG. 3 is a rear elevational view of the truss of FIG. 1;
FIG. 4 is a right side elevational view of the truss of FIG. 1;
FIG. 5 is a left side elevational view of the truss of FIG. 1;
FIG. 6 is a bottom plan view of the truss of FIG. 1;
FIG. 7 is a top plan view of the truss of FIG. 1; and,
FIG. 8 is a partial enlarged front, left perspective view of the truss of FIG. 1.

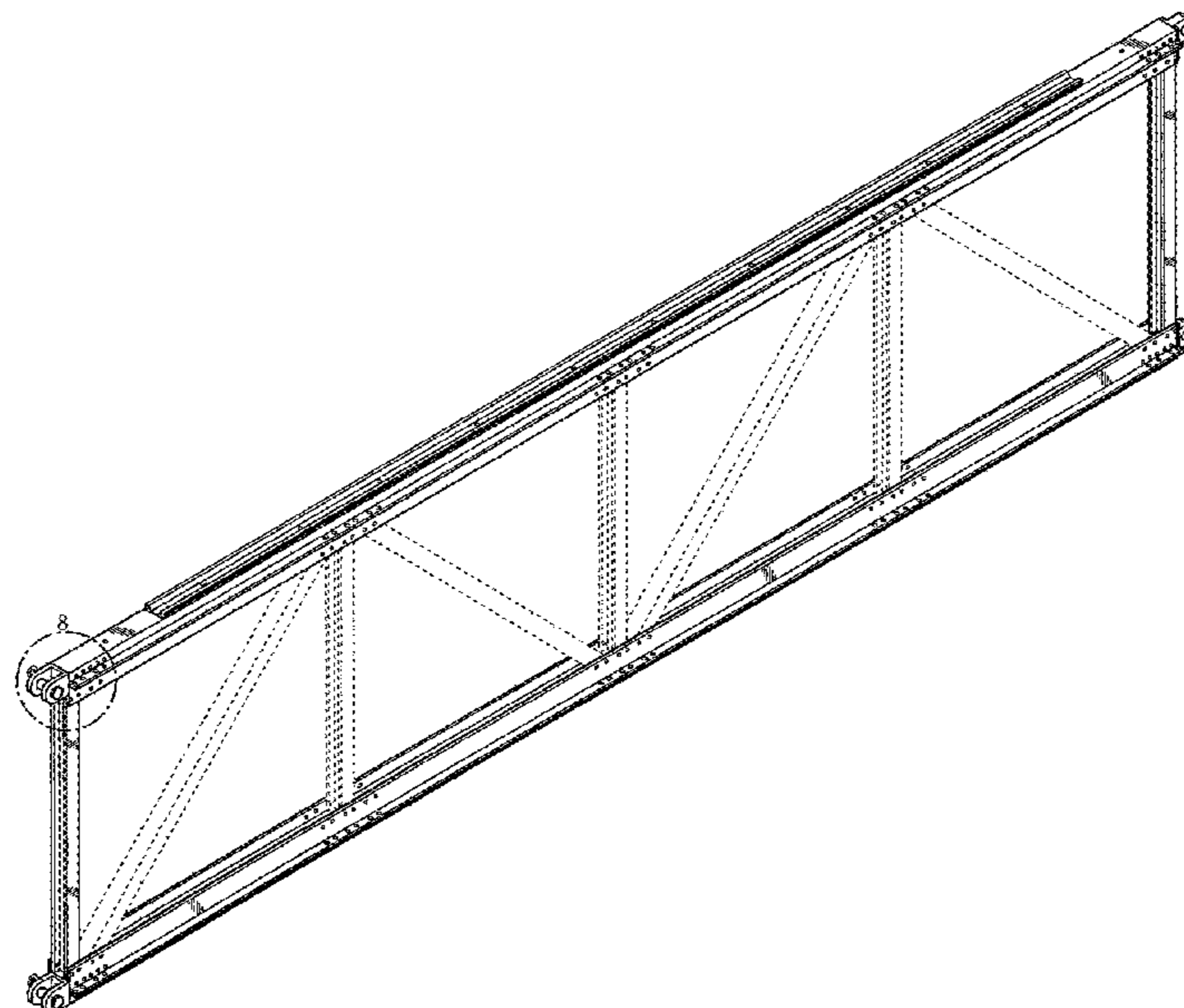
The broken lines shown in the drawings are included for purposes of illustrating environment and form no part of the claimed design. The dot-dash lines depict the limits of the enlarged view. The surface shading lines show contour and/or distinguish between open and solid areas. The surface shading lines are not surface ornamentation.

1 Claim, 6 Drawing Sheets

(56) **References Cited**

U.S. PATENT DOCUMENTS

- 2,822,068 A * 2/1958 Hendrix E01D 15/133
52/223.12
- 2,931,468 A * 4/1960 Keller E04C 2/543
428/46
- 3,110,933 A * 11/1963 Cadmus, Jr. E04C 3/292
52/376
- 3,184,802 A * 5/1965 Levy E06B 7/28
52/656.1
- D284,103 S * 6/1986 Wolfe D25/61
- D374,292 S * 10/1996 Koo D25/61
- D472,648 S * 4/2003 Linsley D25/61



(56)

References Cited

U.S. PATENT DOCUMENTS

D846,153 S * 4/2019 de Deugd D25/61
2004/0050010 A1 * 3/2004 Fortier E04B 1/003
52/650.3
2018/0010327 A1 * 1/2018 Lubinski E02D 27/01
2019/0063056 A1 * 2/2019 Goodman E04B 1/1903
2019/0277030 A1 * 9/2019 Liescheidt E04C 3/07

OTHER PUBLICATIONS

Total Solutions Group—LAD Truss https://www.trussing.com/wp-content/uploads/2015/10/tsg_moving-light-truss_jun15.pdf Oct. 12, 2015 (Year: 2015).*

* cited by examiner

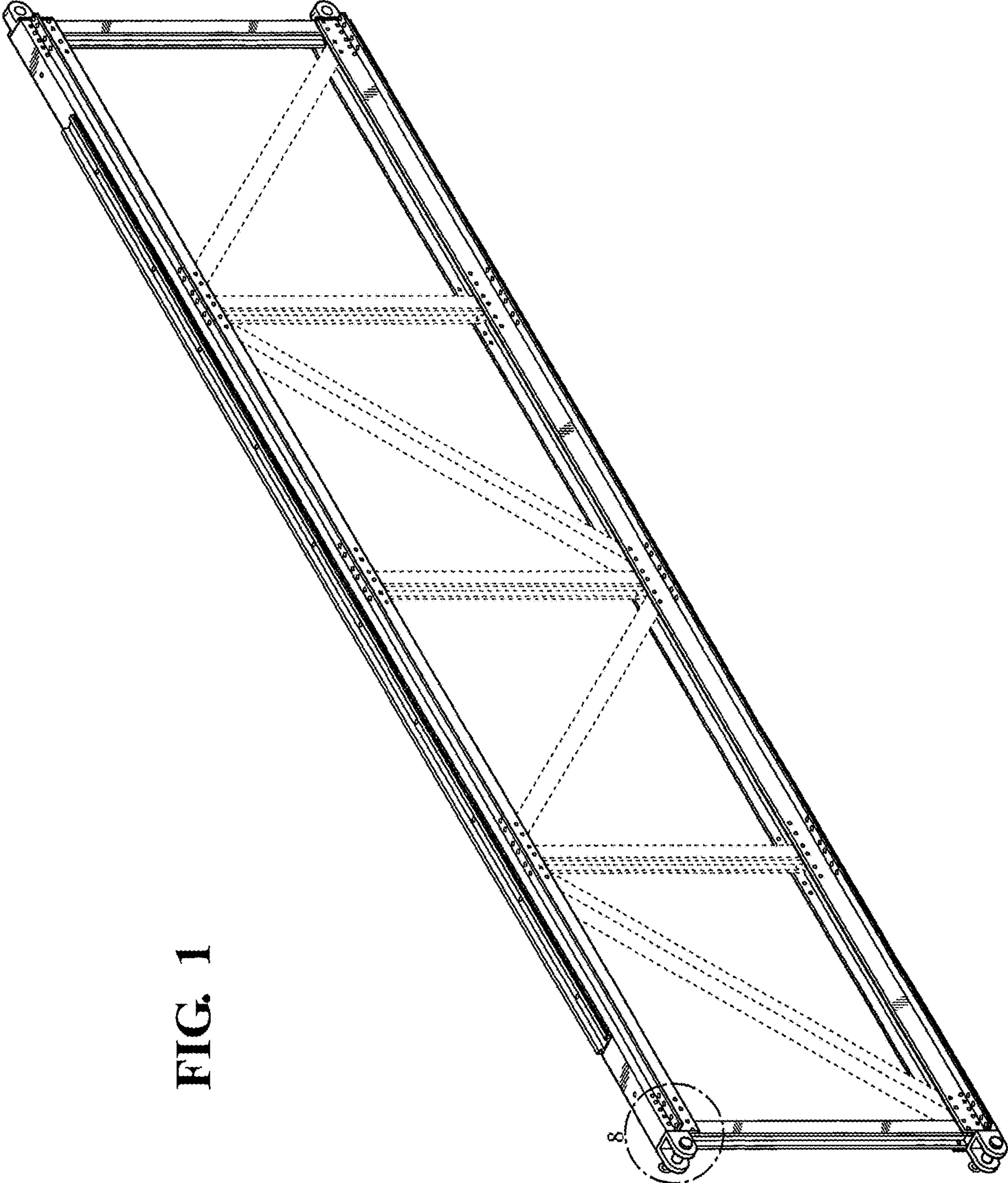


FIG. 1

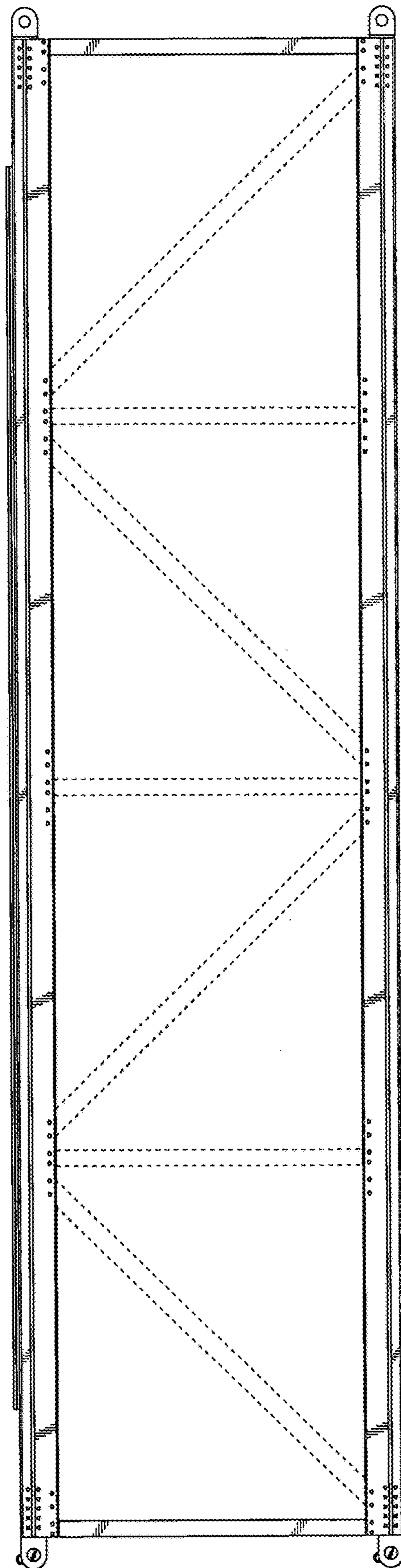


FIG. 2

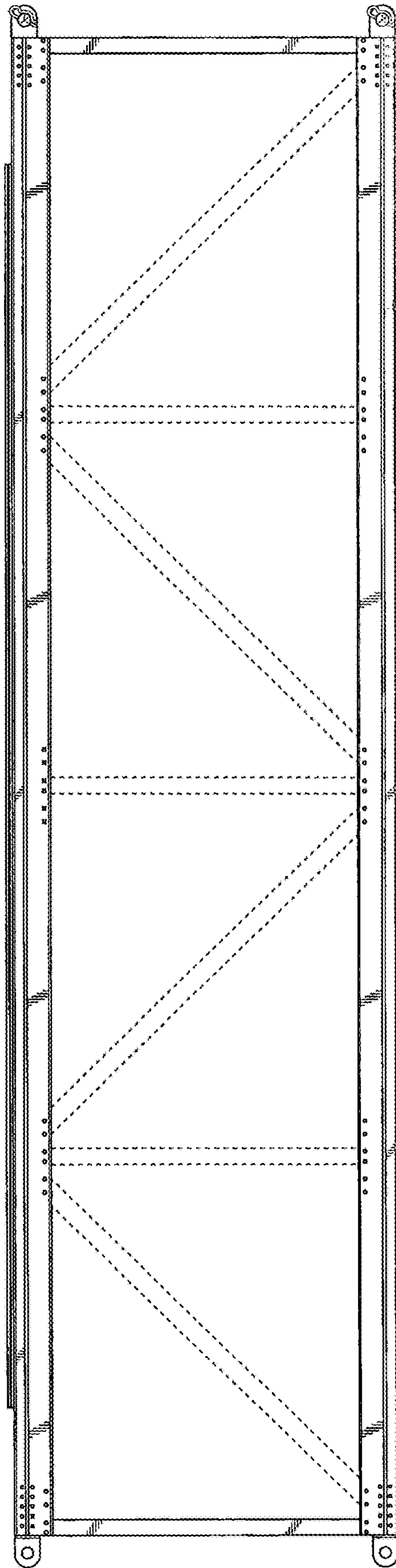


FIG. 3

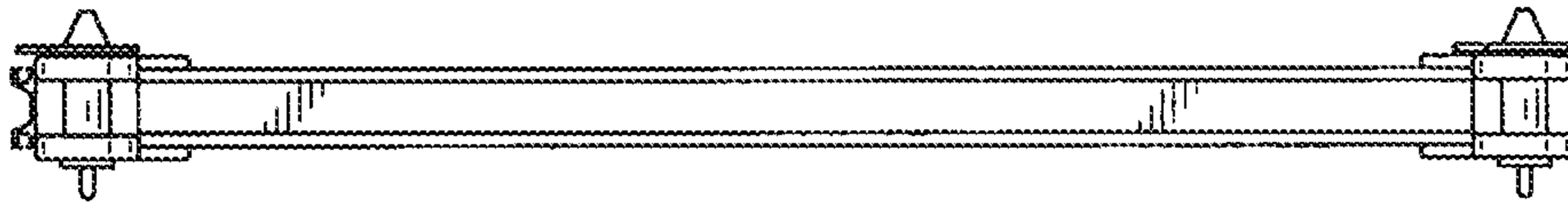


FIG. 5

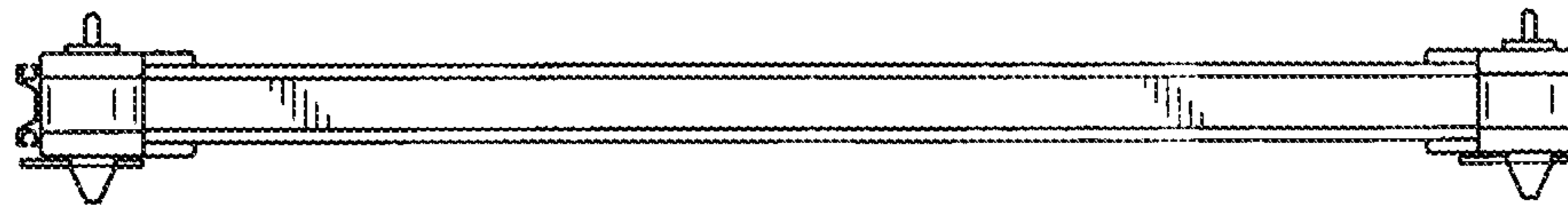


FIG. 4

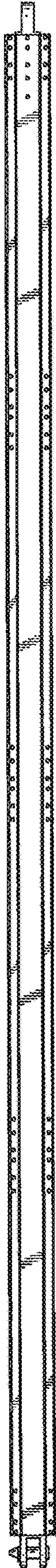


FIG. 6



FIG. 7

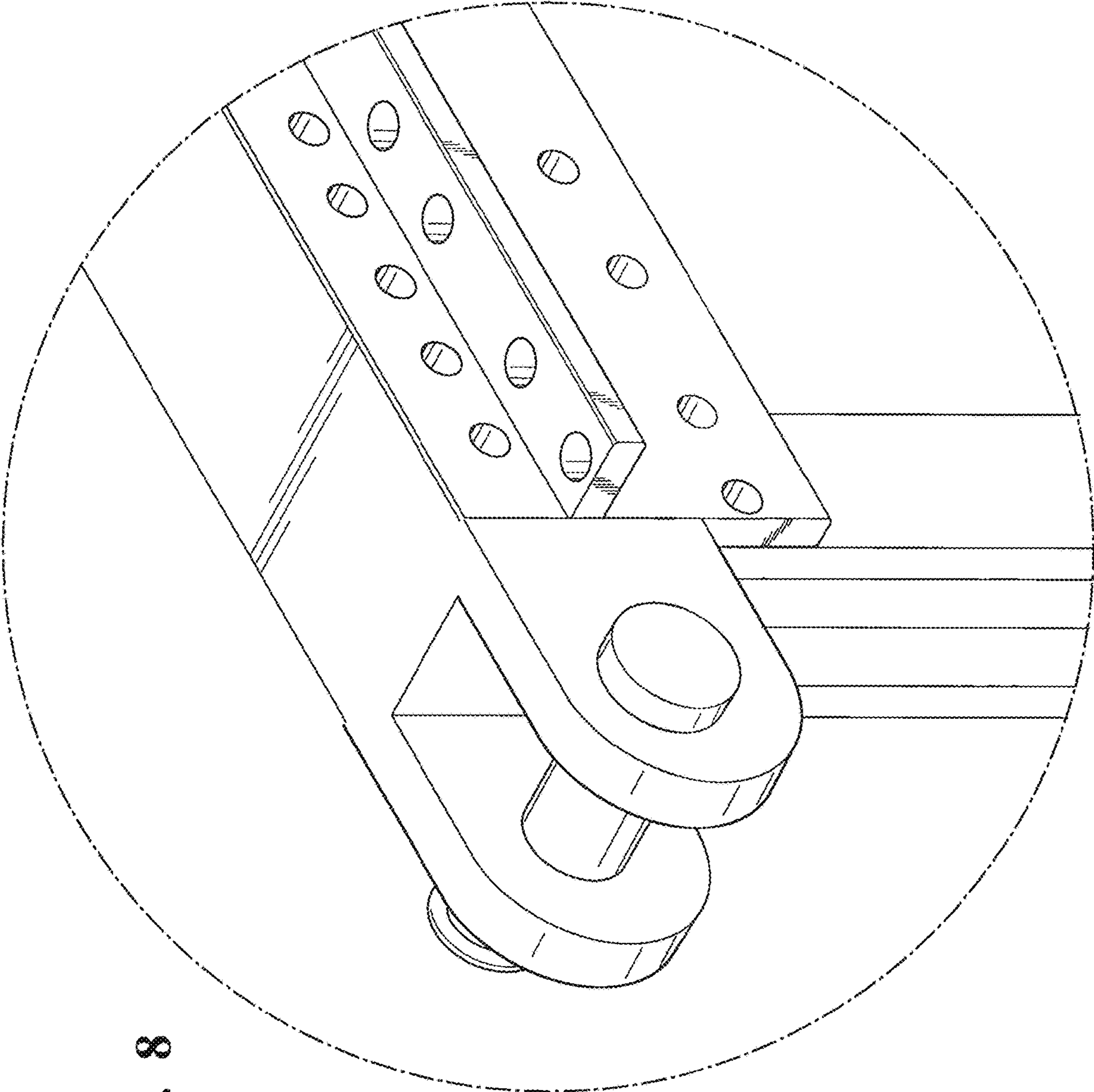


FIG. 8