



US00D880005S

(12) **United States Design Patent** (10) **Patent No.:** **US D880,005 S**  
**Bunn** (45) **Date of Patent:** **\*\* Mar. 31, 2020**

(54) **CARPORT**  
(71) Applicant: **Shelia Bunn**, Hampton, AR (US)  
(72) Inventor: **Shelia Bunn**, Hampton, AR (US)  
(\*\*) Term: **15 Years**  
(21) Appl. No.: **29/702,412**

4,605,030 A 8/1986 Johnson  
D302,856 S \* 8/1989 Bareiss ..... D25/56  
4,852,599 A 8/1989 McNamara  
D335,541 S \* 5/1993 Rosario-Cartagena ..... D25/56  
5,381,844 A 1/1995 Struben  
D363,790 S \* 10/1995 Boyd ..... D25/56  
D366,120 S \* 1/1996 Atkinson ..... D25/56  
5,579,796 A 12/1996 Mallo et al.  
5,806,549 A 9/1998 Love  
D403,081 S \* 12/1998 Luzzardi ..... D25/56  
D403,782 S 1/1999 James

(Continued)

(22) Filed: **Aug. 19, 2019**  
(51) **LOC (12) Cl.** ..... **25-03**  
(52) **U.S. Cl.**  
USPC ..... **D25/56**  
(58) **Field of Classification Search**  
USPC ..... D6/567-571, 675.1, 678.3; D25/17, 22,  
D25/55, 56, 57, 61  
CPC ..... E04B 1/34326; E04H 6/00; E04H 6/02;  
E04H 6/025; E04H 6/44; E04H 1/12;  
E04H 1/1205; E04H 1/1211; E04H 15/18;  
E04H 15/34; E04H 15/46; E04H 15/58;  
Y10S 52/14; H02S 20/00  
See application file for complete search history.

FOREIGN PATENT DOCUMENTS

DE M9604603-0002 \* 1/1997  
EM 002000802-0001 \* 3/2012

(Continued)

*Primary Examiner* — Leanne Was-Englehart  
(74) *Attorney, Agent, or Firm* — Rashauna Norment

(57) **CLAIM**

The ornamental design for a carport, as shown and described.

**DESCRIPTION**

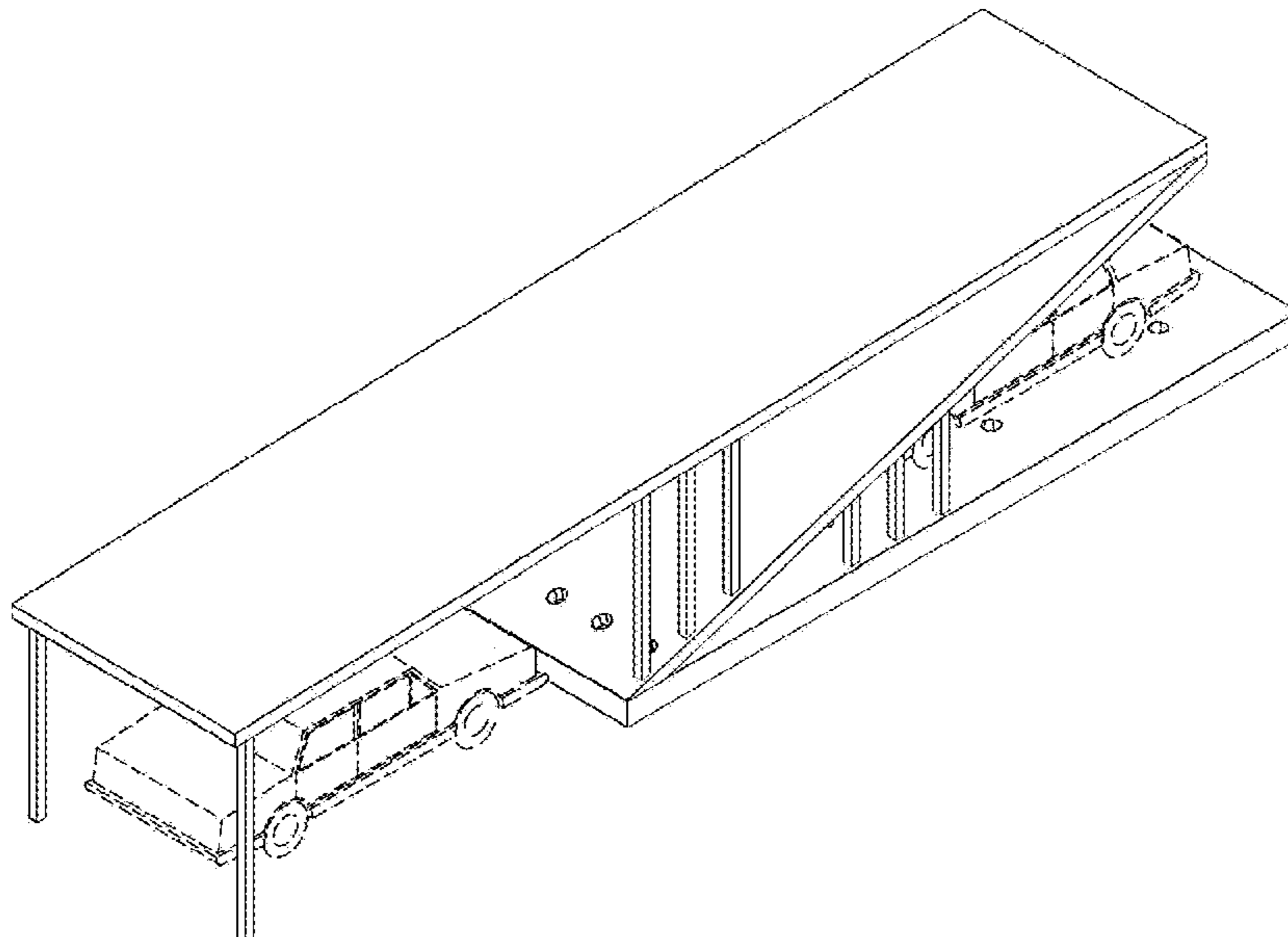
FIG. 1 is a perspective view of a carport, showing my new design, with a base of the carport defining a plurality of circular openings;  
FIG. 2 is a top plan view of FIG. 1 thereof;  
FIG. 3 a bottom plan view of FIG. 1 thereof;  
FIG. 4 is a front elevation view of FIG. 1 thereof;  
FIG. 5 is a rear elevation view of FIG. 1 thereof;  
FIG. 6 is a left side elevation view of FIG. 1 thereof;  
FIG. 7 is a right side elevation view of FIG. 1 thereof; and,  
FIG. 8 is a perspective view of FIG. 1, showing the carport in use.  
The broken lines depict environment that forms no part of the claimed design.

**1 Claim, 5 Drawing Sheets**

(56) **References Cited**

U.S. PATENT DOCUMENTS

D178,471 S \* 8/1956 Volk ..... D25/56  
2,873,698 A \* 2/1959 Hartman ..... E04H 1/1205  
52/11  
D185,579 S \* 6/1959 Sklar ..... D25/18  
D192,212 S \* 2/1962 Schlager ..... D25/56  
3,242,620 A \* 3/1966 Kaiser ..... E04H 6/025  
52/73  
D215,145 S \* 9/1969 Kliewer ..... D25/22  
D215,146 S \* 9/1969 Kliewer ..... D25/22  
D218,810 S \* 9/1970 Svensson ..... D25/22  
3,550,333 A \* 12/1970 Kliewer ..... E04B 1/34326  
52/73  
D225,051 S \* 11/1972 Smithhart ..... D25/56  
3,854,266 A 12/1974 Salas  
D266,178 S \* 9/1982 Lotterer ..... D21/837



(56)

**References Cited**

U.S. PATENT DOCUMENTS

D470,336 S 2/2003 Malizia  
7,913,710 B2 3/2011 Bougioukas  
D640,765 S \* 6/2011 Corradi ..... D21/837  
D672,472 S \* 12/2012 Dolceamore ..... F24S 25/12  
D25/22  
D734,870 S \* 7/2015 Scorsone ..... D25/22  
9,593,503 B2 3/2017 Creagh  
D826,428 S 8/2018 Schuette  
2005/0284036 A1\* 12/2005 Blume ..... B62H 3/00  
52/79.4

FOREIGN PATENT DOCUMENTS

EM 002268102-0001 \* 7/2013  
JP D1533851 \* 9/2018

\* cited by examiner

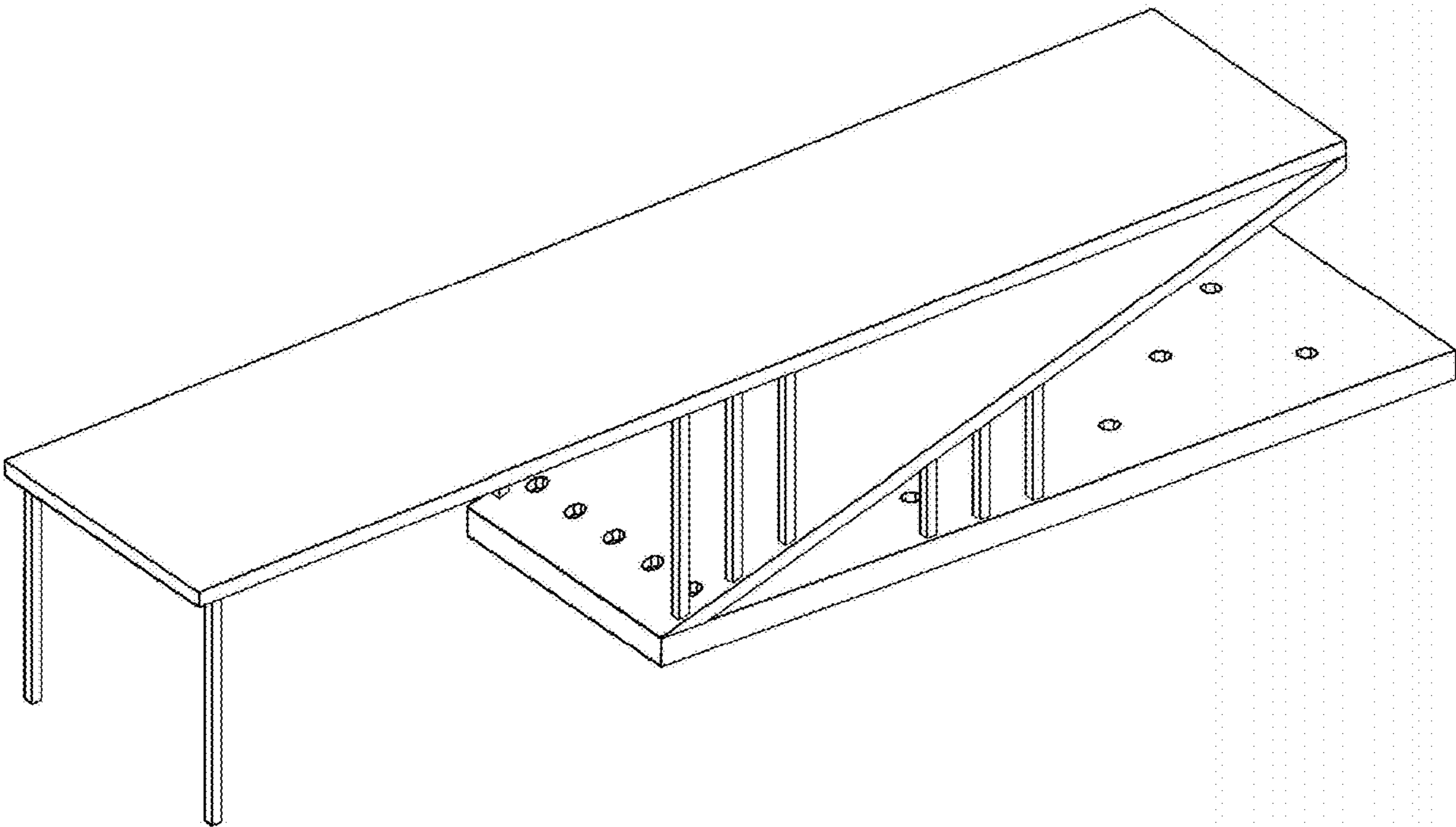


FIG. 1



FIG. 2

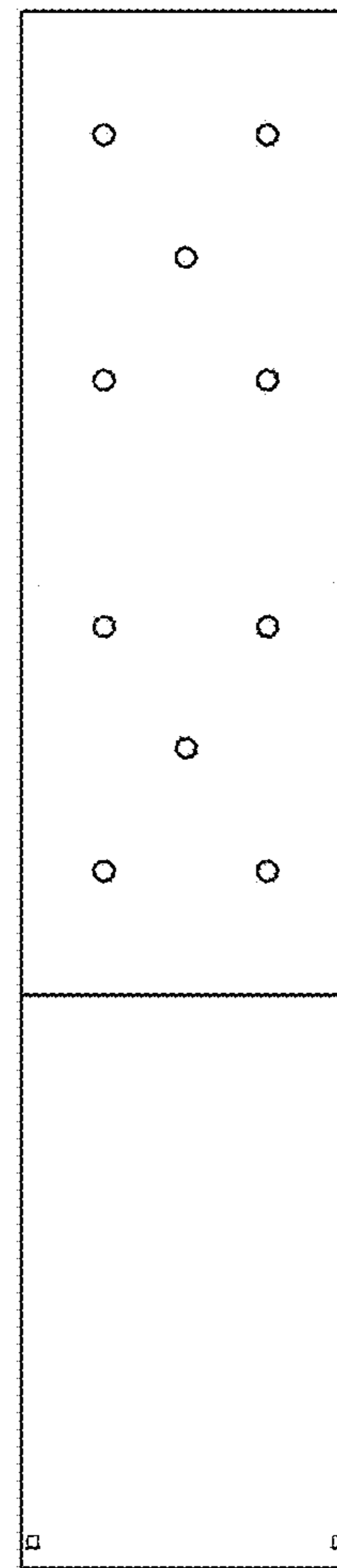


FIG. 3

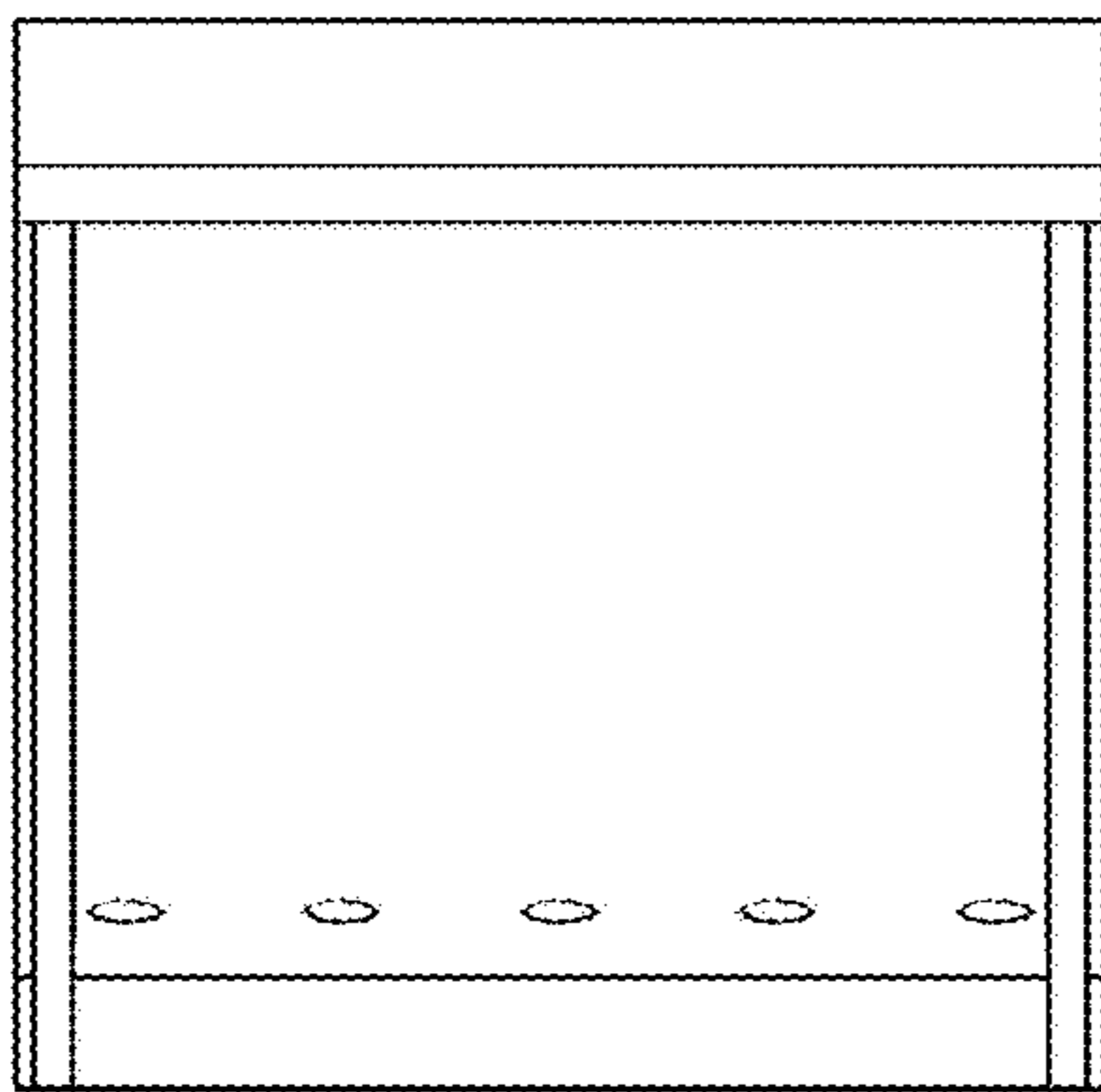


FIG. 4

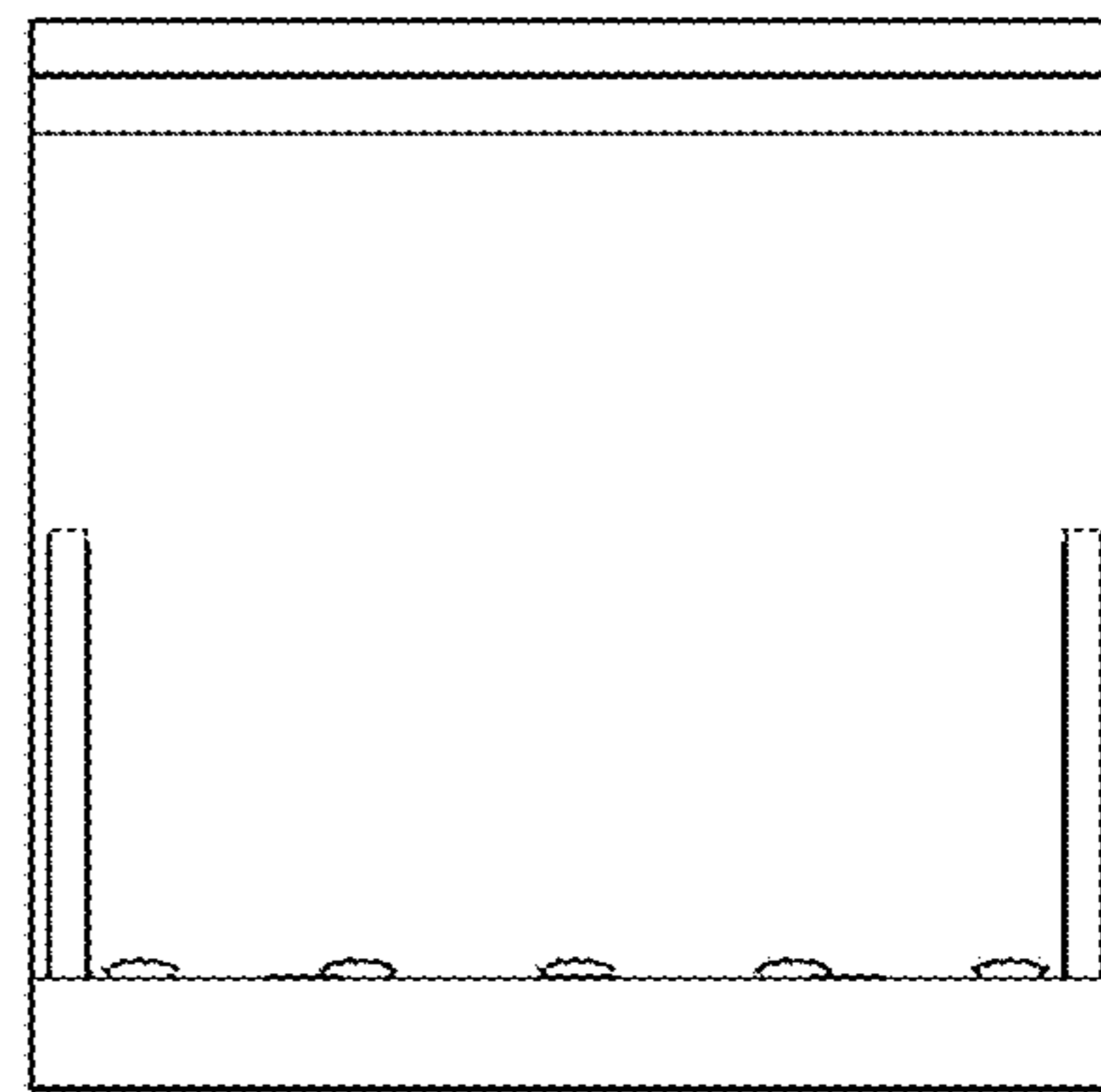


FIG. 5

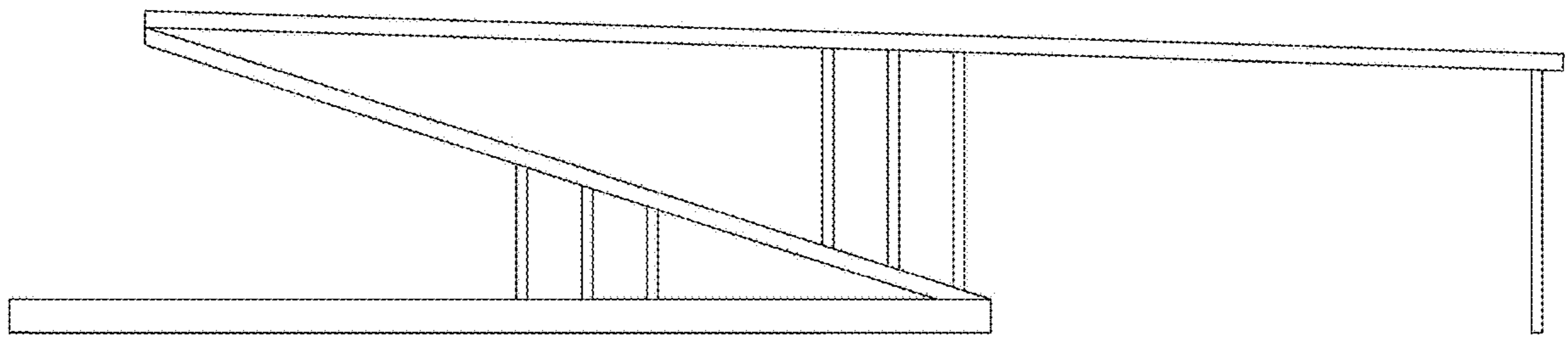


FIG. 6

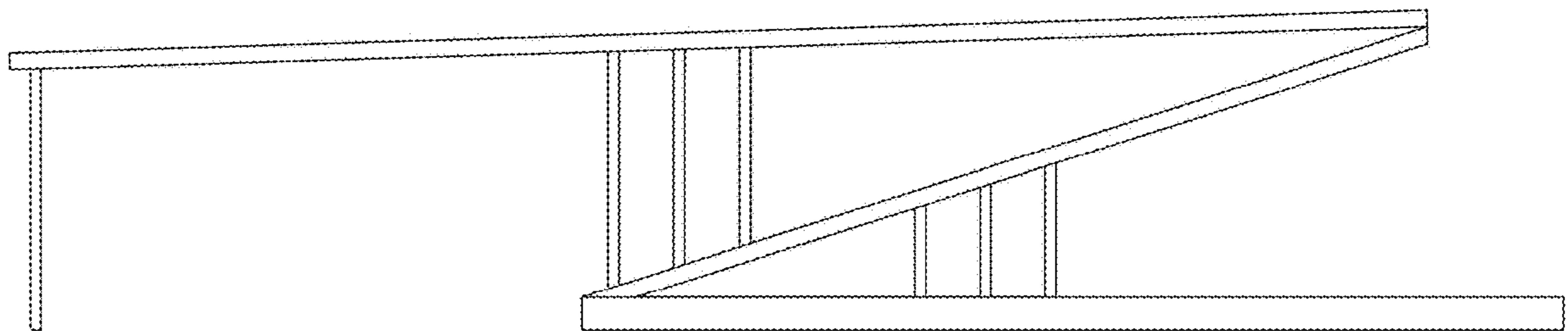


FIG. 7

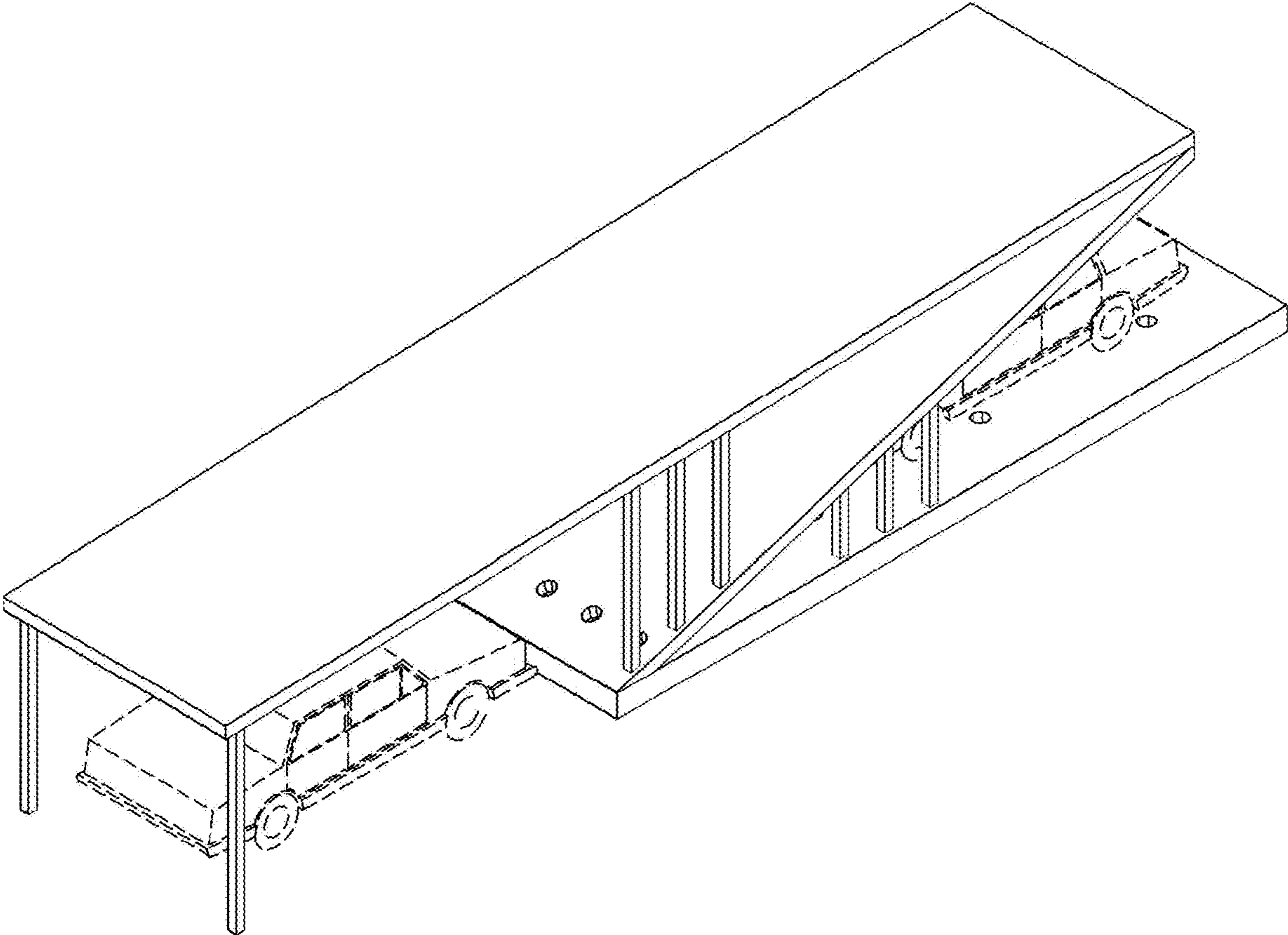


FIG. 8