



US00D880000S

(12) **United States Design Patent** (10) **Patent No.:** **US D880,000 S**
Albarran (45) **Date of Patent:** **** Mar. 31, 2020**

(54) **BOOTH**
(71) Applicant: **PHONEBOOTHS INC.**, New York, NY (US)
(72) Inventor: **Alejandra Albarran**, Brooklyn, NY (US)
(73) Assignee: **PHONEBOOTHS INC.**, New York, NY (US)

D844,812 S * 4/2019 Zhu D25/16
D844,814 S * 4/2019 Zhu D25/16
D844,815 S * 4/2019 Zhu D25/16
D844,818 S * 4/2019 Zhu D25/16
D846,147 S * 4/2019 Zhu D25/16
D852,376 S * 6/2019 Mikolajczyk D25/16
D856,529 S * 8/2019 Mikolajczyk D25/16
D857,233 S * 8/2019 Zhu D25/16
D857,234 S * 8/2019 Zhu D25/16
D858,795 S * 9/2019 Zhu D25/16
2016/0312486 A1 * 10/2016 Booker E04H 1/125

(**) Term: **15 Years**

(21) Appl. No.: **29/650,640**

(22) Filed: **Jun. 8, 2018**

(51) **LOC (12) Cl.** **25-03**

(52) **U.S. Cl.**
USPC **D25/16**

(58) **Field of Classification Search**
USPC D25/1, 4, 15, 16, 17-35, 48.3; D6/640, D6/337; 52/79.1; D15/81, 88, 91
CPC .. E04H 1/00-1244; E04H 1/125-1277; E04H 1/14; E04H 2001/1283-1294; E04H 9/14
See application file for complete search history.

(56) **References Cited**

U.S. PATENT DOCUMENTS

5,778,607 A * 7/1998 Edwards E04H 1/125
454/230
D570,818 S 6/2008 Keenan
D613,314 S * 4/2010 Staud D15/81
D638,551 S 5/2011 Gann
D732,692 S 6/2015 Hallfors
D736,950 S 8/2015 Dar et al.
D762,741 S * 8/2016 Galiatsis D15/81
D788,318 S 5/2017 Jennings et al.
D809,808 S 2/2018 Sarkkinen
D825,620 S * 8/2018 Lee D15/81
D826,998 S * 8/2018 Lee D15/91

OTHER PUBLICATIONS

Zenbooth, Inc, Comfort Booth (Maple/ Maple) product details, <https://shop.zenbooth.net/collections/models/products/comfort-booth?variant=30633767186>.

* cited by examiner

Primary Examiner — Brett Miller

(74) *Attorney, Agent, or Firm* — Gottlieb, Rackman & Reisman, P.C.

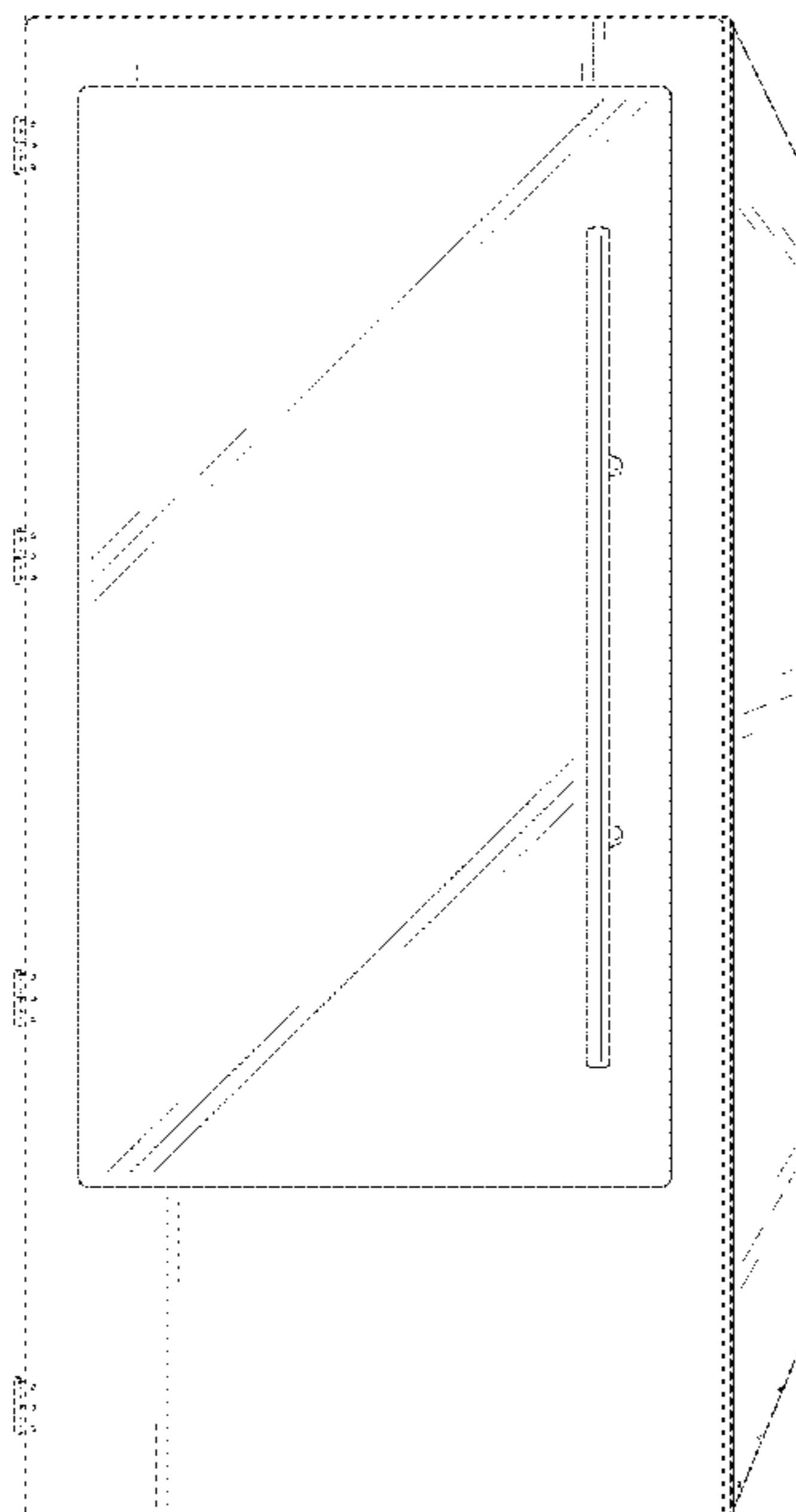
(57) **CLAIM**

The ornamental design for a booth, as shown and described.

DESCRIPTION

FIG. 1 is a perspective view of a booth showing my new design;
FIG. 2 is a front elevational view thereof;
FIG. 3 is a rear elevational view thereof;
FIG. 4 is a left side elevational view thereof;
FIG. 5 is a right side elevational view thereof;
FIG. 6 is a top plan view thereof; and,
FIG. 7 is a bottom plan view thereof.
The broken lines shown in the drawings form no part of the claimed design.

1 Claim, 7 Drawing Sheets



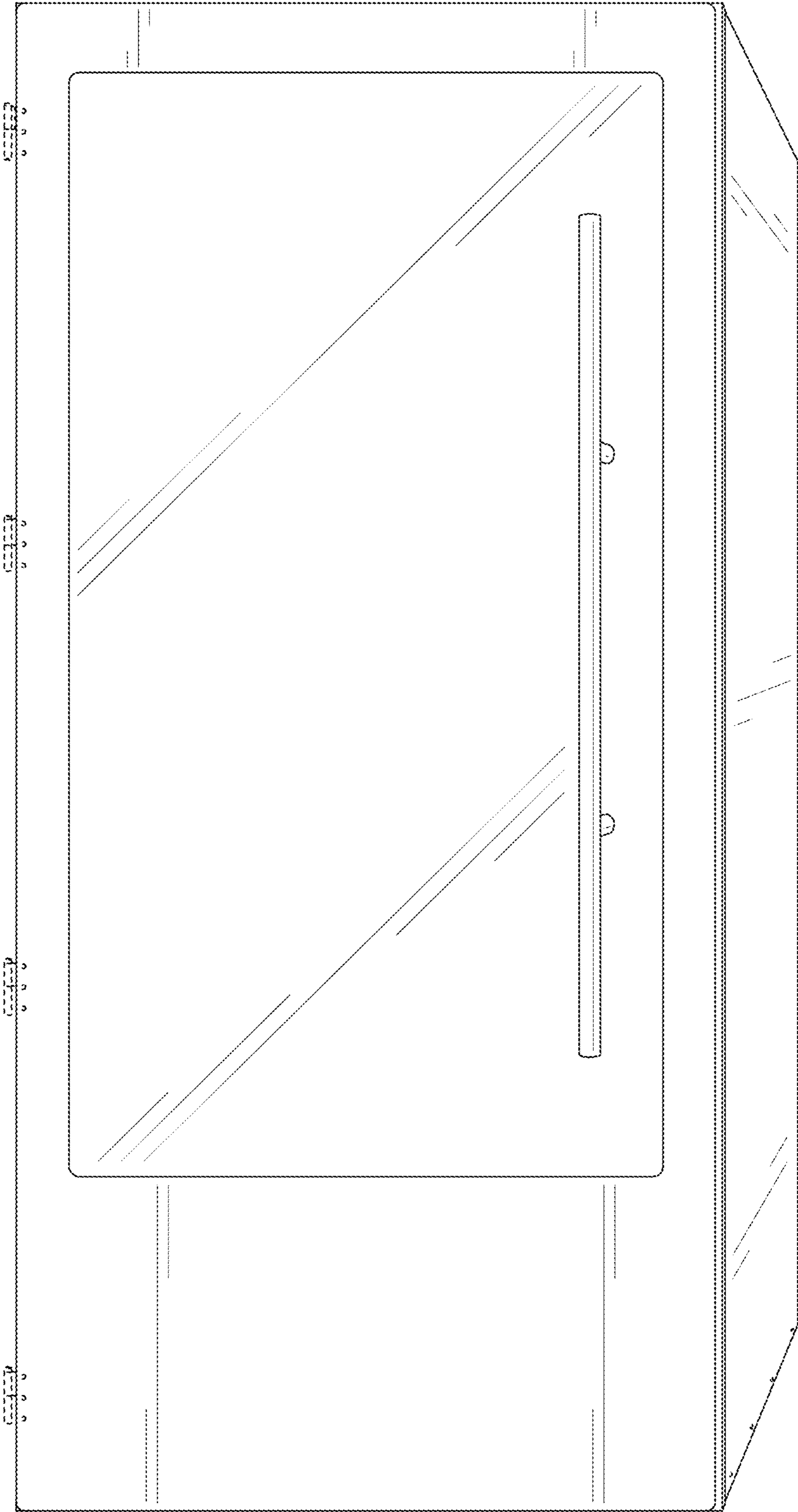


FIG. 1

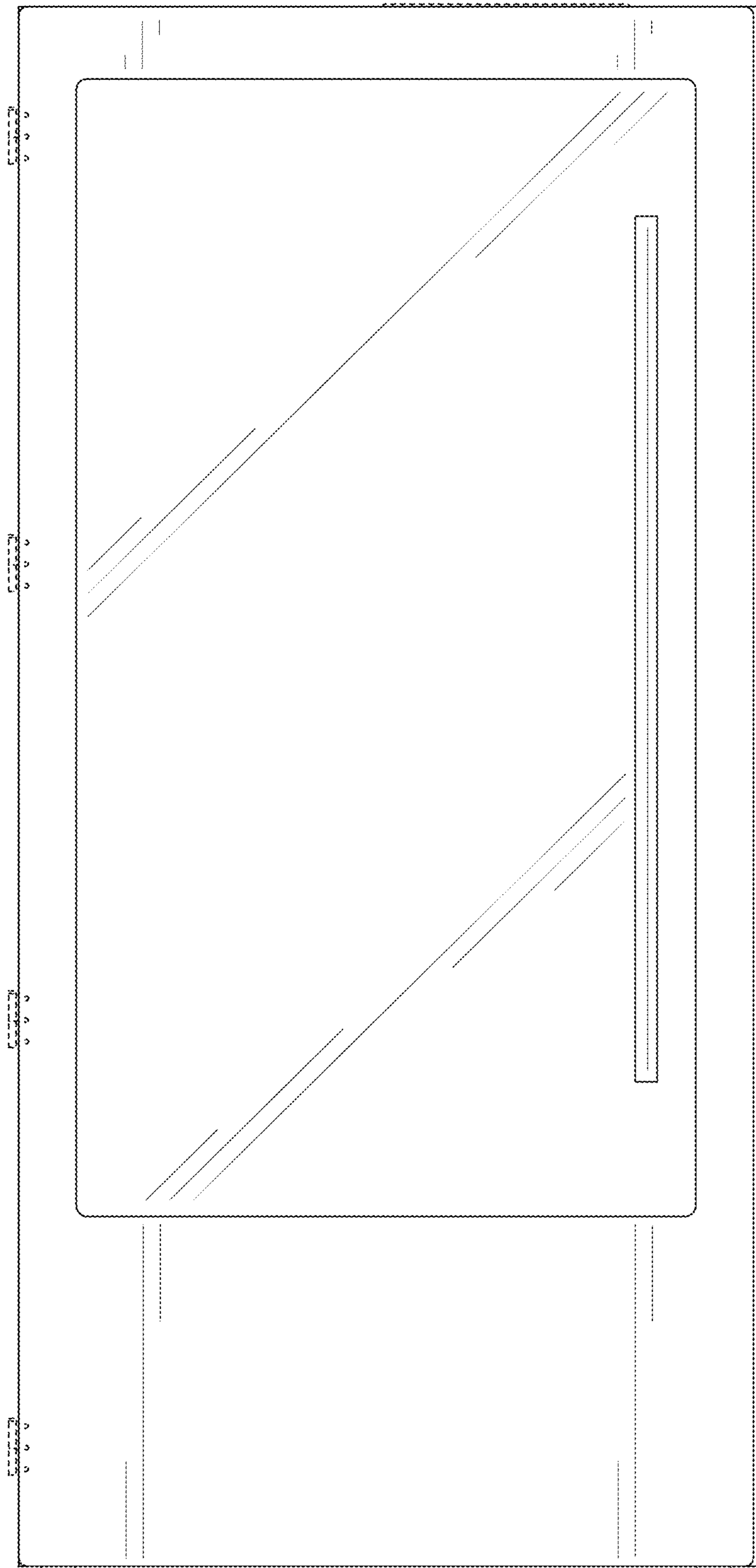


FIG. 2

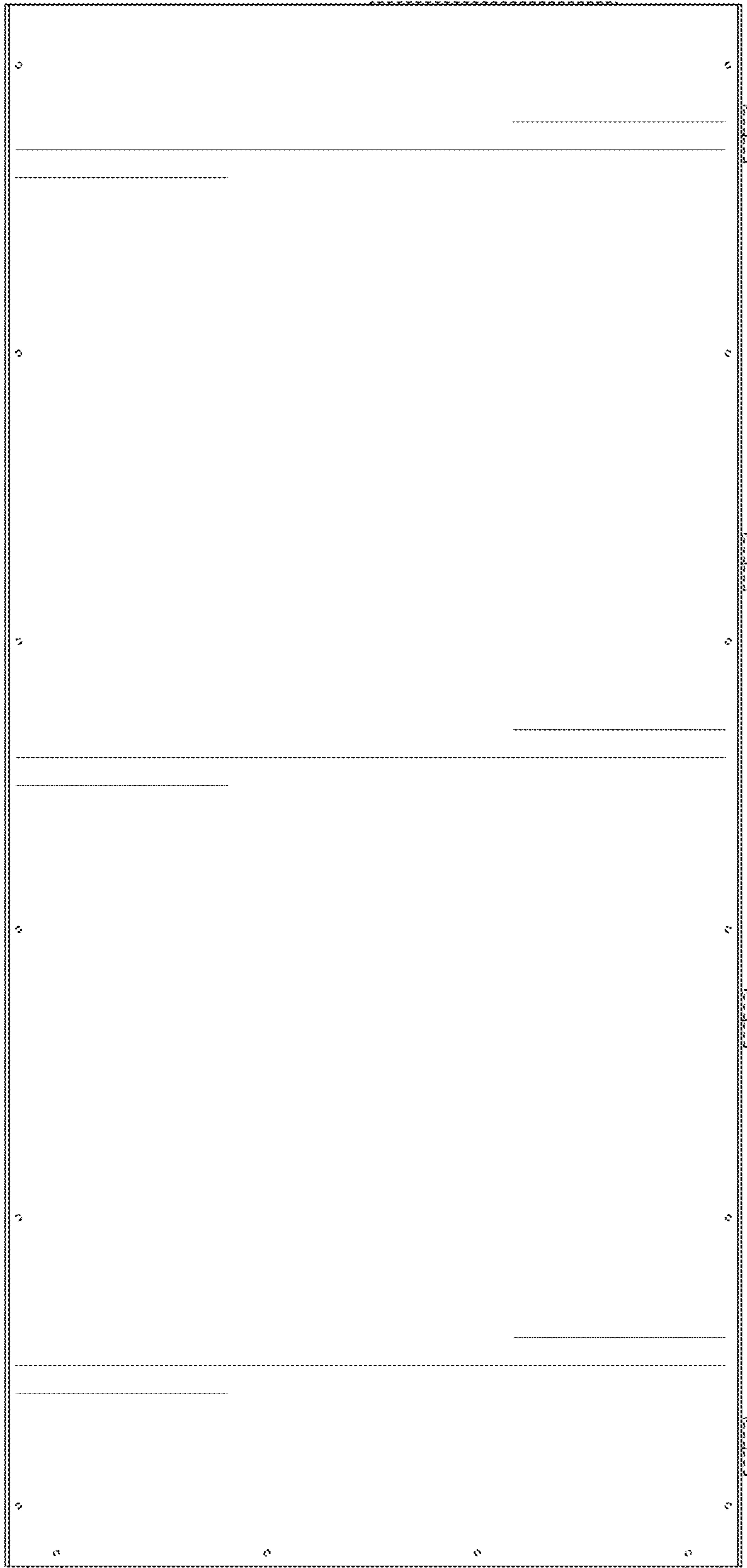


FIG. 3

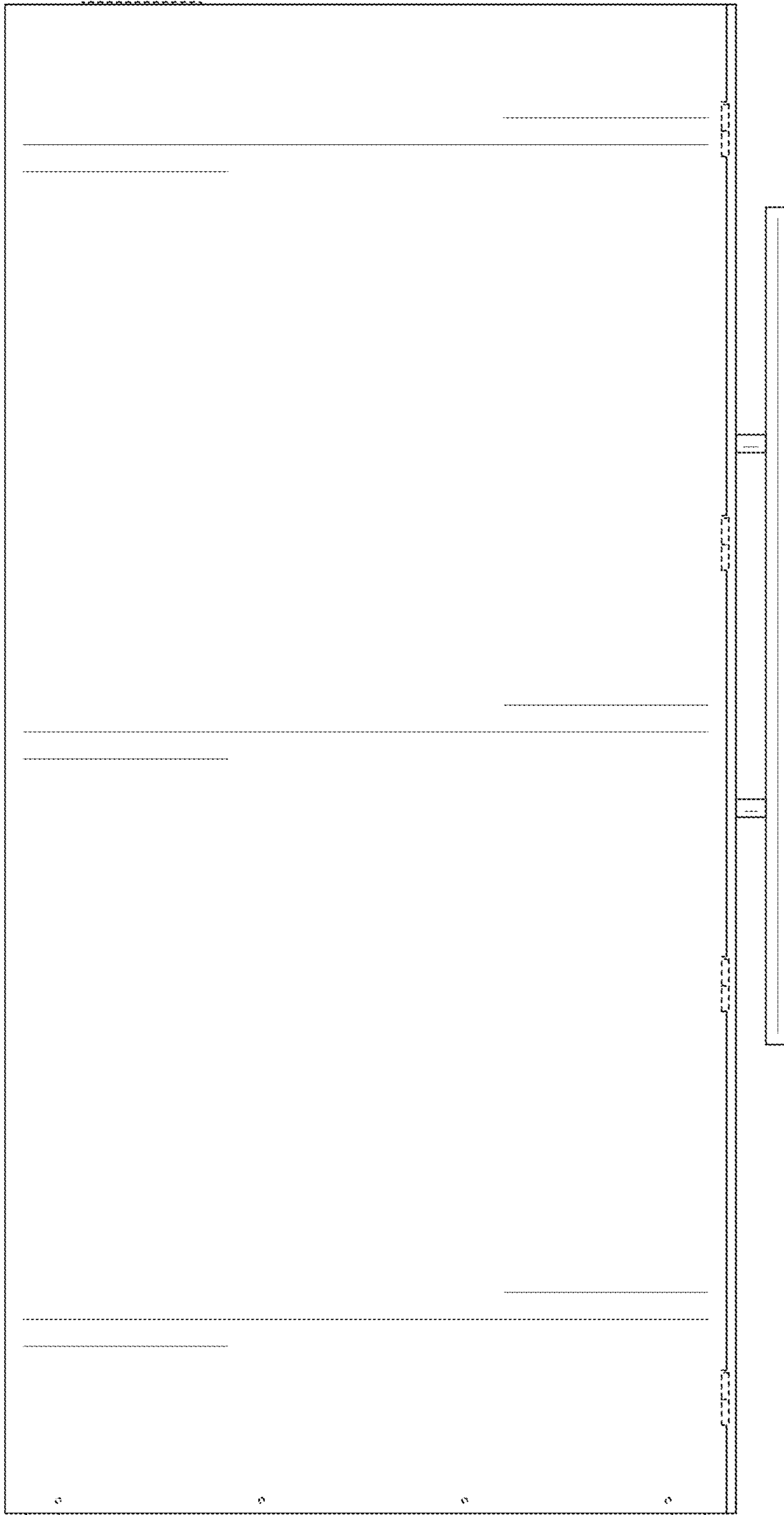


FIG.4



FIG. 5

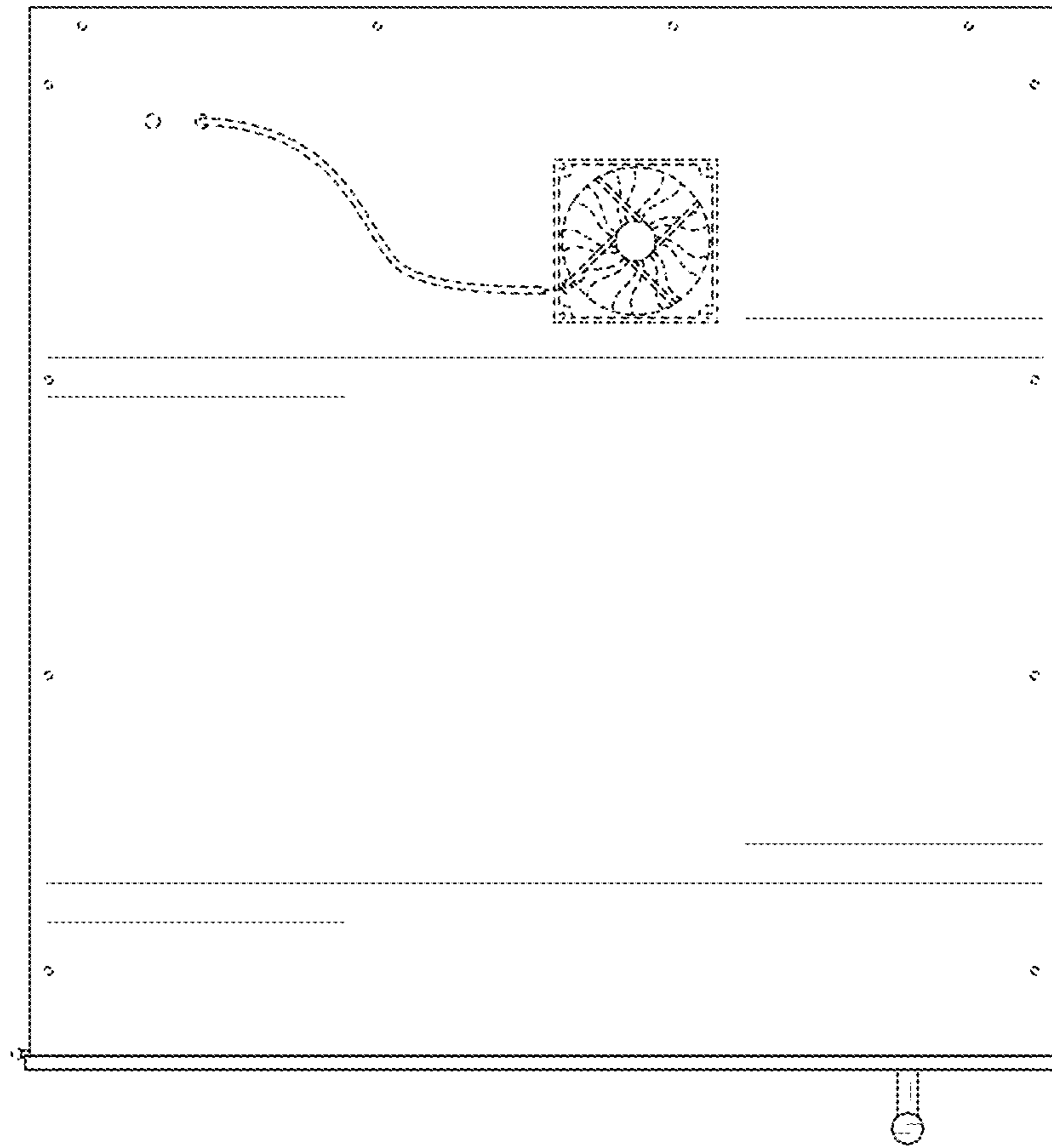


FIG. 6

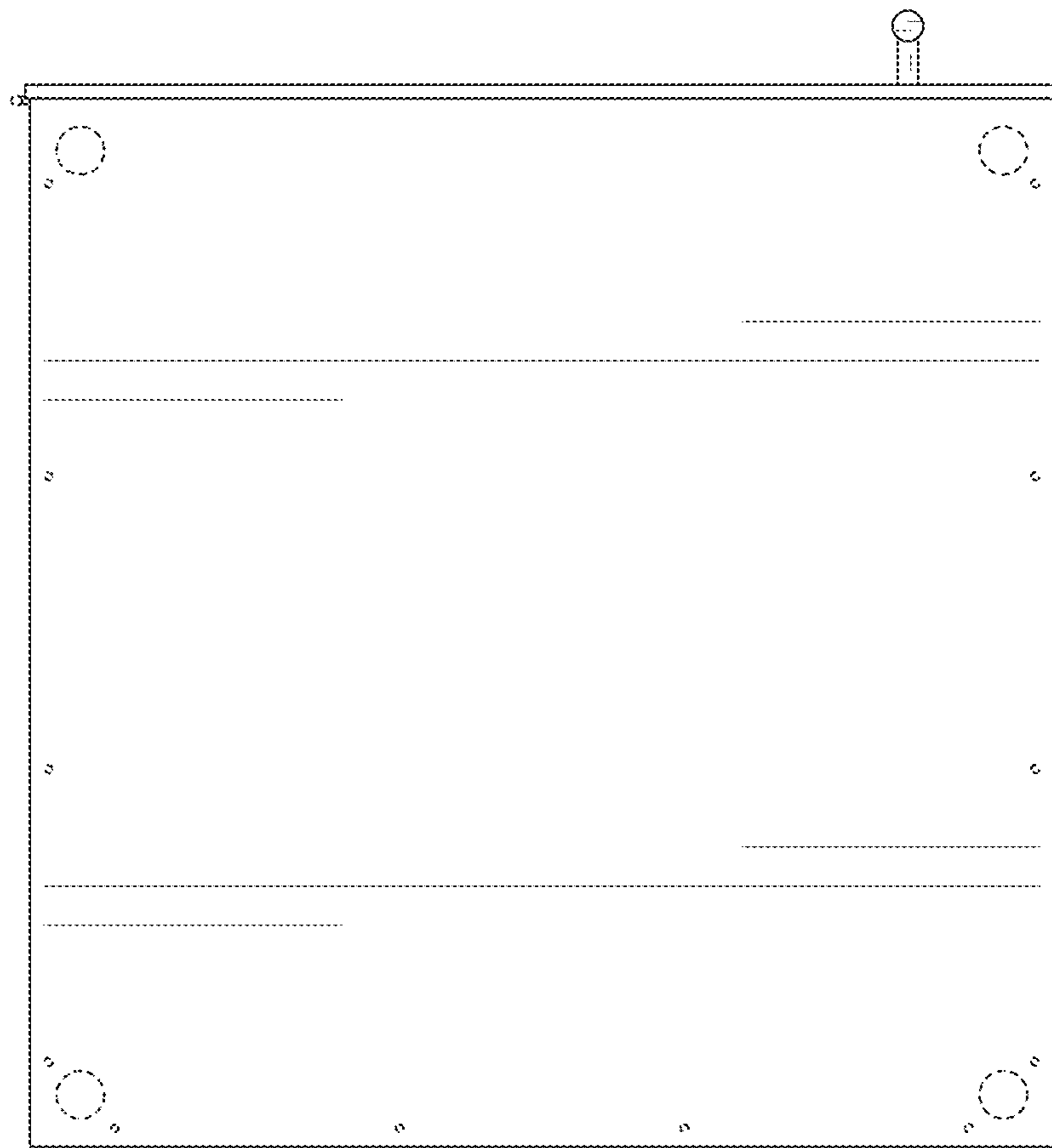


FIG. 7