



US00D87995S

(12) **United States Design Patent** (10) **Patent No.:** **US D879,995 S**  
**Ou Yang** (45) **Date of Patent:** **\*\* Mar. 31, 2020**

(54) **UV LED STERILIZING DEVICE**

(56) **References Cited**

(71) Applicant: **SHENZHEN UVLED OPTICAL TECHNOLOGY CO., LTD.**, Shenzhen, Guangdong (CN)

(72) Inventor: **Chen Yi Ou Yang**, Ningyuan County (CN)

(73) Assignee: **SHENZHEN UVLED OPTICAL TECHNOLOGY CO., LTD.**, Shenzhen, Guangdong (CN)

(\*\*) Term: **15 Years**

(21) Appl. No.: **29/661,950**

(22) Filed: **Aug. 31, 2018**

(30) **Foreign Application Priority Data**

Jul. 11, 2018 (CN) ..... 2018 3 0372594

(51) **LOC (12) Cl.** ..... **24-01**

(52) **U.S. Cl.**  
USPC ..... **D24/217**

(58) **Field of Classification Search**  
USPC ..... D24/200, 209-213, 217-219, 224-232, D24/186, 107, 108; D23/366; D32/1, D32/25; D28/44, 73; 422/24, 26, 27, 422/307; 250/455.11

CPC ..... A61L 2/26; A61L 2/24; A61L 2/17; A61L 2/18; A61L 2/025; A61L 2/10; A61L 2/084; A61L 2202/122; A61L 2202/10; A61L 2202/11; A61L 2202/14; A61L 2202/23; A61L 2202/24; A61L 2202/182; C02F 1/32; C02F 1/325; A61H 15/00; A61H 15/0007; A61H 2015/0042; A63B 43/06

See application file for complete search history.

U.S. PATENT DOCUMENTS

D320,655 S *	10/1991	Patten	.....	D24/200
D429,820 S *	8/2000	Meske	.....	D24/217
D431,298 S *	9/2000	Hogan	.....	D24/133
D438,980 S *	3/2001	Hehenberger	.....	D20/28
D439,344 S *	3/2001	Hehenberger	.....	D20/27
D484,246 S *	12/2003	Lee	.....	D24/186
D601,711 S *	10/2009	Lin	.....	D24/217
D676,562 S *	2/2013	Marzynski	.....	D24/186
D714,433 S *	9/2014	Armstrong	.....	D24/108
D802,781 S *	11/2017	Moorehead	.....	D24/211
D825,356 S *	8/2018	Yu	.....	D10/70
D850,626 S *	6/2019	Gardner	.....	D24/186

(Continued)

OTHER PUBLICATIONS

59S Fridge sterilizing Stickers, posted at 59s.com, no posting date, online URL:[http://www.59s.com/en/59s-fridge-sterilizing-stickers.html#\\_pp=102\\_1496](http://www.59s.com/en/59s-fridge-sterilizing-stickers.html#_pp=102_1496) (Year: 2019).\*

(Continued)

*Primary Examiner* — Barbara Fox

*Assistant Examiner* — Mary Shannon Malley

(74) *Attorney, Agent, or Firm* — Juan Carlos A. Marquez; Marquez IP Law Office, PLLC

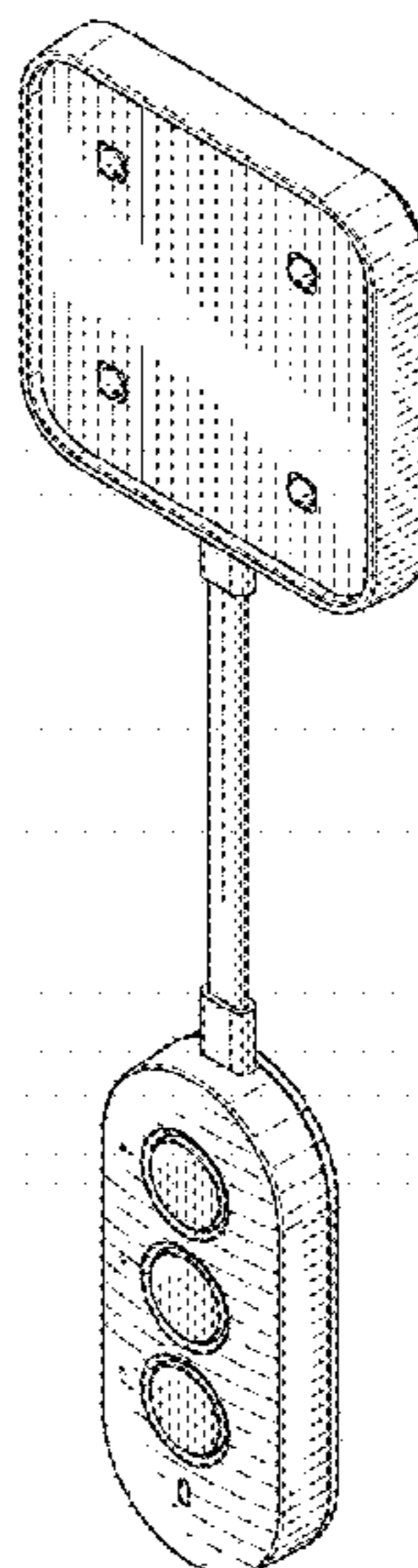
(57) **CLAIM**

The ornamental design for an UV LED sterilizing device, as shown and described.

**DESCRIPTION**

FIG. 1 is a perspective view of an UV LED sterilizing device, showing the new design; FIG. 2 is a front view thereof; FIG. 3 is a rear view thereof; FIG. 4 is a left-side view thereof; FIG. 5 is a right-side view thereof; FIG. 6 is a top view thereof; and, FIG. 7 is a bottom view thereof.

**1 Claim, 5 Drawing Sheets**



(56)

**References Cited**

U.S. PATENT DOCUMENTS

D850,874 S \* 6/2019 Piramoon ..... D8/40  
2012/0079795 A1\* 4/2012 Smith ..... A61B 50/00  
53/461

OTHER PUBLICATIONS

59S Car Air Max Sterilizing Strip, posted at 59s.com, no posting date, online URL:[http://www.59s.com/en/59s-car-air-max-sterilizing-strip.html#\\_pp=102\\_1496](http://www.59s.com/en/59s-car-air-max-sterilizing-strip.html#_pp=102_1496) (Year: 2019).\*

\* cited by examiner

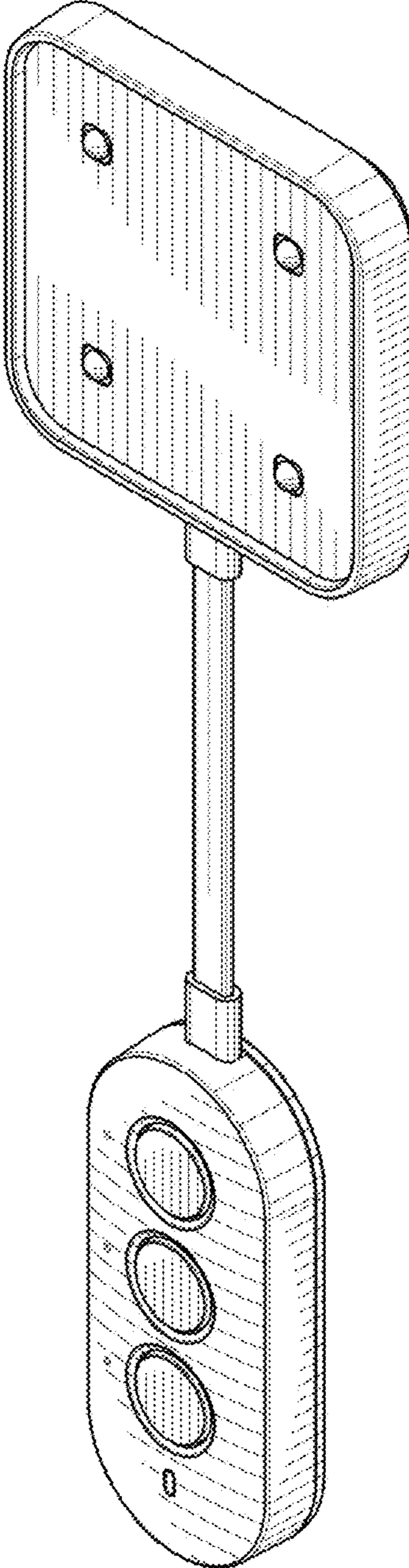


FIG. 1

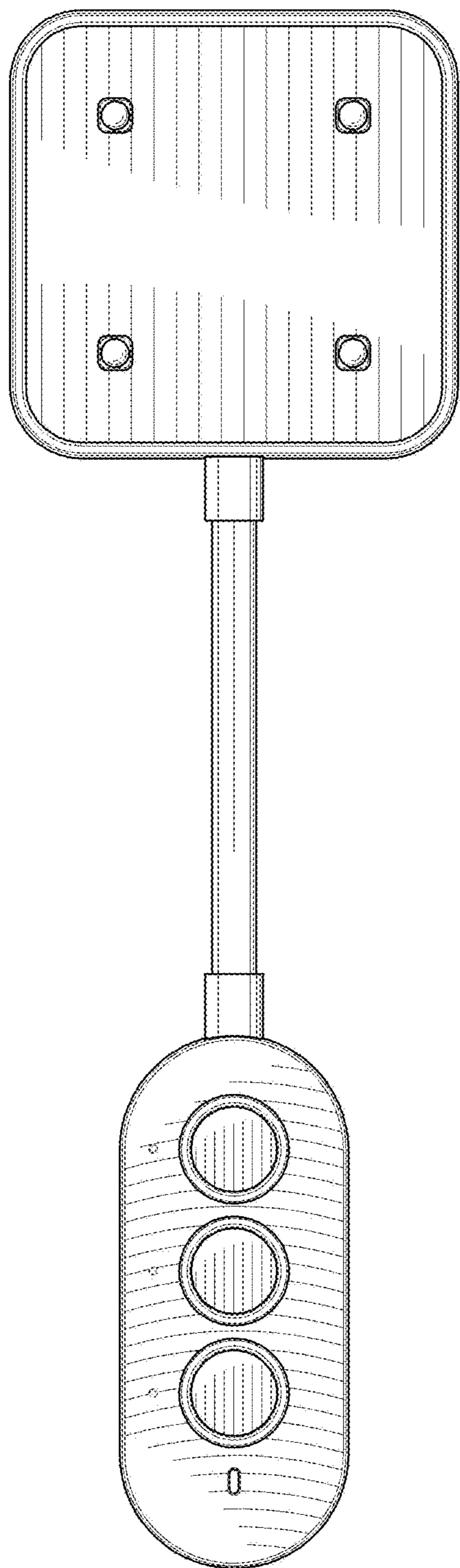


FIG. 2

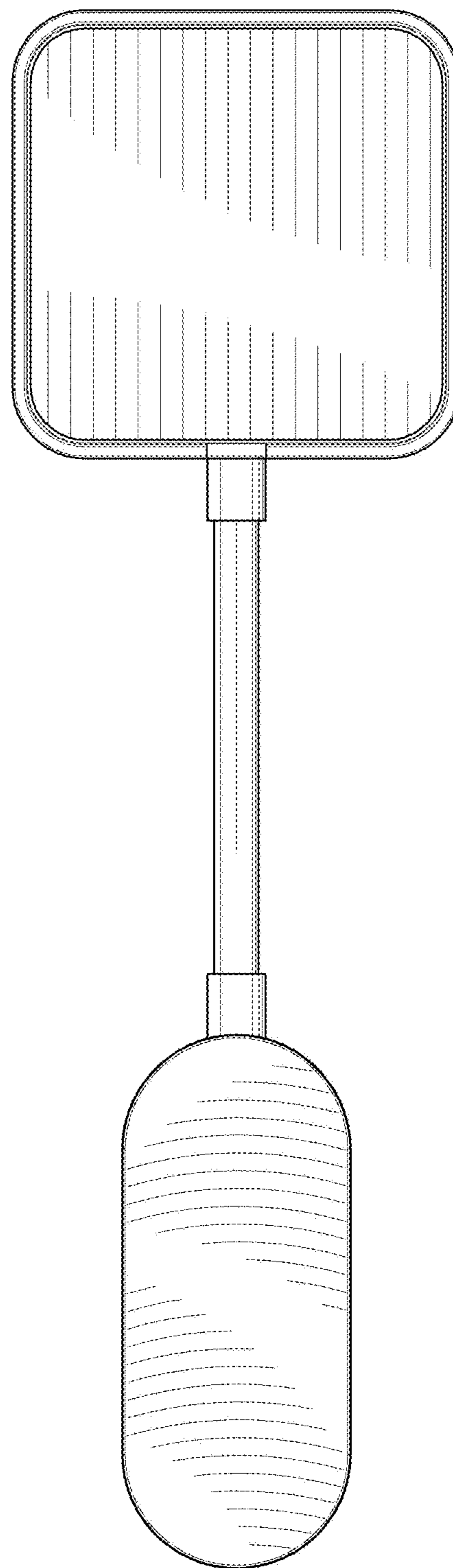


FIG. 3

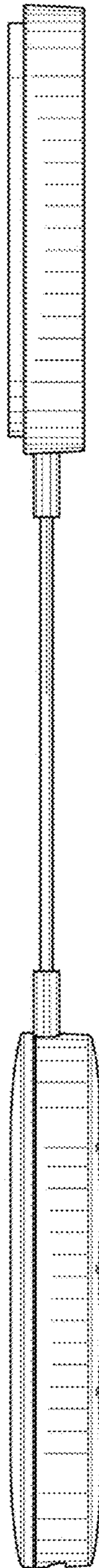


FIG. 4

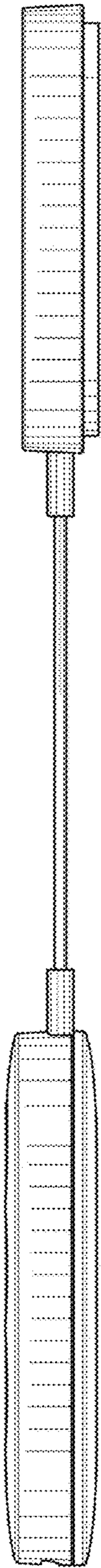


FIG. 5

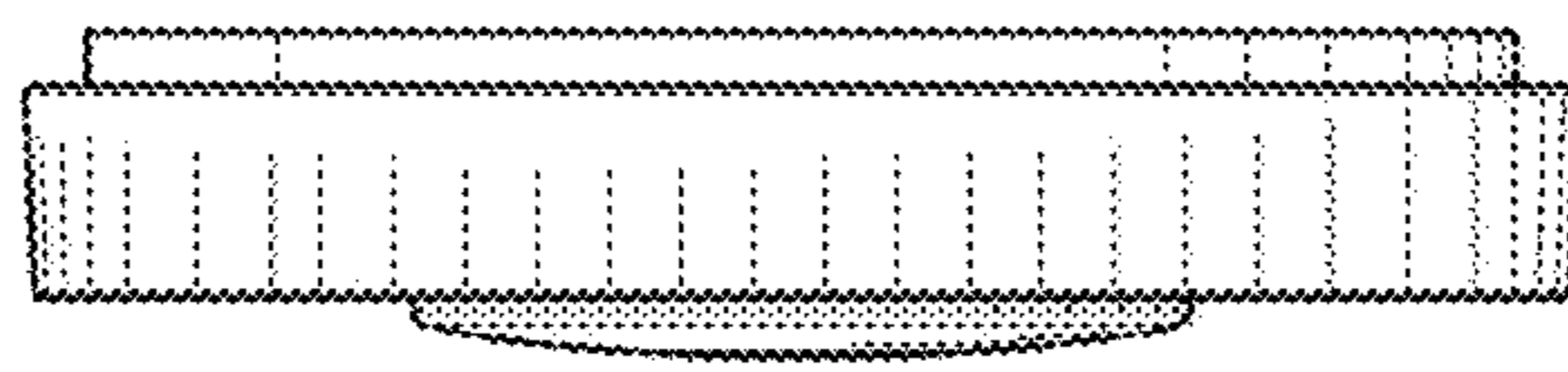


FIG. 6



FIG. 7