



US00D879986S

(12) **United States Design Patent**
Wersland et al.

(10) **Patent No.:** **US D879,986 S**
(45) **Date of Patent:** **** Mar. 31, 2020**

(54) **PERCUSSIVE MASSAGE DEVICE**
(71) Applicant: **Theragun, LLC**, Beverly Hills, CA (US)
(72) Inventors: **Jason Wersland**, Manhattan Beach, CA (US); **Benjamin Nazarian**, Beverly Hills, CA (US); **Jaime Sanchez Solana**, Los Angeles, CA (US); **Eduardo Merino**, Beverly Hills, CA (US); **Trent Hernandez**, Los Angeles, CA (US)

3,968,789 A * 7/1976 Simoncini A46B 13/04
D24/215
4,691,693 A * 9/1987 Sato A61H 7/003
601/15
4,989,613 A * 2/1991 Finkenberg A61B 5/4504
601/46
D329,291 S * 9/1992 Wollman D24/200
D329,292 S * 9/1992 Wollman D24/200
D331,467 S * 12/1992 Wollman D24/200
D388,175 S * 12/1997 Lie D24/215

(Continued)

(73) Assignee: **THERAGUN, INC.**, Beverly Hills, CA (US)

(**) Term: **15 Years**

(21) Appl. No.: **29/708,814**

(22) Filed: **Oct. 9, 2019**

Related U.S. Application Data

(63) Continuation-in-part of application No. 29/674,836, filed on Dec. 26, 2018.

(51) **LOC (12) Cl.** **28-03**

(52) **U.S. Cl.**
USPC **D24/214**

(58) **Field of Classification Search**
USPC 601/15, 18, 19, 27, 28, 29, 30, 31, 32, 601/46, 47, 48, 52, 72, 99, 112, 113, 118, 601/135, 137, DIG. 12, DIG. 14, DIG. 15, 601/DIG. 16, DIG. 17; D24/200, 211, D24/212, 213, 214, 215; D8/14.1; 607/85

CPC .. A61H 23/0254; A61H 1/008; A61H 23/006; A61H 7/007

See application file for complete search history.

(56) **References Cited**

U.S. PATENT DOCUMENTS

1,594,636 A * 8/1926 Smith A61H 23/02
601/DIG. 17
1,784,301 A * 12/1930 Mekler A61H 9/005
601/112

OTHER PUBLICATIONS

Amazon, "Theragun G3PRO Percussive Therapy Device", Feb. 13, 2019. https://www.amazon.com/dp/B07MJ2MCT3/ref=nav_timeline_asin?_encoding=UTF8&psc=1. Shown on p. 1. (Year: 2019).

Primary Examiner — Cynthia Ramirez

Assistant Examiner — Michael A Maharajh

(74) *Attorney, Agent, or Firm* — Jeffer Mangels Butler & Mitchell LLP; Brennan C. Swain, Esq.

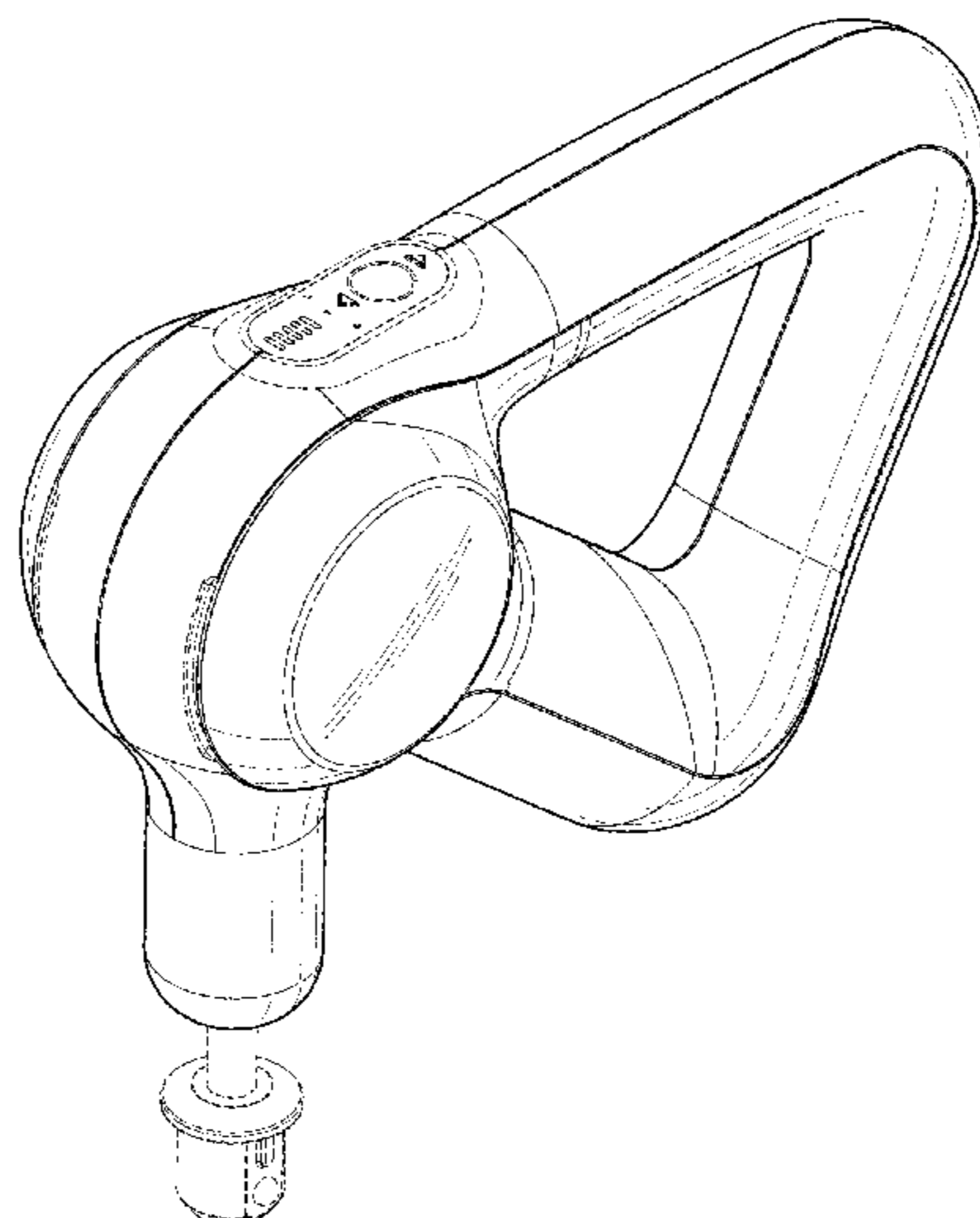
(57) **CLAIM**

The ornamental design for a percussive massage device, as shown and described.

DESCRIPTION

FIG. 1 is a top perspective view of a percussive massage device, showing our new design;
FIG. 2 is a right side elevational view, the left side view being a mirror image thereof;
FIG. 3 is a front elevational view thereof;
FIG. 4 is a rear elevational view thereof;
FIG. 5 is a top plan view thereof;
FIG. 6 is a bottom plan view thereof; and,
FIG. 7 is a bottom perspective view thereof.

1 Claim, 5 Drawing Sheets



(56)

References Cited

U.S. PATENT DOCUMENTS

| | | | | | | | | | | |
|----------------|---------|-------------|-------|--------------|--------|-------------------|---------|-----------|-------|--------------|
| 5,925,002 A * | 7/1999 | Wollman | | A61H 23/0263 | 601/46 | D847,990 S * | 5/2019 | Kimball | | D24/133 |
| D430,938 S * | 9/2000 | Lee | | D24/214 | | 10,314,762 B1 * | 6/2019 | Marton | | A61H 1/008 |
| D448,852 S * | 10/2001 | Engelen | | D24/215 | | 10,357,425 B2 | 7/2019 | Wersland | | |
| 6,401,289 B1 * | 6/2002 | Herbert | | A61H 7/005 | | D855,822 S * | 8/2019 | Marton | | D24/215 |
| | | | | 601/137 | | 2002/0177795 A1 * | 11/2002 | Frye | | A61H 1/008 |
| D476,746 S * | 7/2003 | Harris | | D24/214 | | | | | | 601/84 |
| D531,733 S * | 11/2006 | Burout, III | | D24/215 | | 2002/0188233 A1 * | 12/2002 | Denyes | | A61H 19/34 |
| D553,252 S * | 10/2007 | Masuda | | D24/214 | | | | | | 601/DIG. 16 |
| D606,192 S * | 12/2009 | Summerer | | D24/133 | | 2003/0195443 A1 * | 10/2003 | Miller | | A61H 1/008 |
| D649,657 S * | 11/2011 | Petersen | | D24/215 | | | | | | 601/108 |
| D658,759 S * | 5/2012 | Marescaux | | D24/133 | | 2005/0131461 A1 * | 6/2005 | Tucek | | A61H 1/008 |
| 8,435,194 B2 * | 5/2013 | Dverin | | A61B 18/14 | | | | | | 601/108 |
| | | | | 601/112 | | 2006/0116614 A1 * | 6/2006 | Jones | | A61H 15/0085 |
| D703,337 S * | 4/2014 | Fuhr | | D24/200 | | | | | | 601/46 |
| D706,433 S * | 6/2014 | Fuhr | | D24/200 | | 2006/0211961 A1 * | 9/2006 | Meyer | | A61H 7/005 |
| D708,742 S * | 7/2014 | Dallemagne | | D24/133 | | | | | | 601/15 |
| D734,863 S * | 7/2015 | Hennessey | | D24/214 | | 2010/0145242 A1 * | 6/2010 | Tsai | | A61H 7/004 |
| D735,348 S * | 7/2015 | Hennessey | | D24/211 | | | | | | 601/135 |
| D759,237 S * | 6/2016 | Heath | | D24/133 | | 2010/0160841 A1 * | 6/2010 | Wu | | A61H 7/004 |
| D759,238 S * | 6/2016 | Heath | | D24/133 | | | | | | 601/135 |
| D763,442 S * | 8/2016 | Price | | D24/133 | | 2010/0274162 A1 * | 10/2010 | Evans | | A61F 7/007 |
| D778,439 S * | 2/2017 | Hakansson | | D24/133 | | | | | | 601/15 |
| D819,221 S * | 5/2018 | Lei | | D24/200 | | 2012/0197357 A1 * | 8/2012 | Dewey | | A61B 18/203 |
| D823,478 S * | 7/2018 | Park | | D24/215 | | | | | | 607/89 |
| D837,395 S * | 1/2019 | Gan | | D24/214 | | 2013/0030506 A1 * | 1/2013 | Bartolone | | A61N 5/0616 |
| D838,378 S * | 1/2019 | Cao | | D24/215 | | | | | | 607/89 |
| D840,547 S * | 2/2019 | Harle | | D24/214 | | 2014/0221887 A1 * | 8/2014 | Wu | | A61H 15/0092 |
| D842,491 S * | 3/2019 | Fleming | | D24/215 | | | | | | 601/112 |
| D843,656 S * | 3/2019 | Zhang | | D24/209 | | 2015/0119771 A1 * | 4/2015 | Roberts | | A61H 39/04 |
| D844,896 S * | 4/2019 | Levi | | D24/209 | | | | | | 601/135 |
| D847,362 S * | 4/2019 | Tang | | D24/215 | | 2018/0154141 A1 * | 6/2018 | Ahn | | A61H 39/08 |
| D847,364 S * | 4/2019 | Lee | | D24/215 | | 2018/0200141 A1 * | 7/2018 | Wersland | | A61H 1/008 |
| | | | | | | 2019/0175434 A1 * | 6/2019 | Zhang | | A61H 1/008 |
| | | | | | | 2019/0254921 A1 * | 8/2019 | Marton | | A61H 23/0254 |
| | | | | | | 2019/0254922 A1 * | 8/2019 | Marton | | A61H 23/0254 |

* cited by examiner

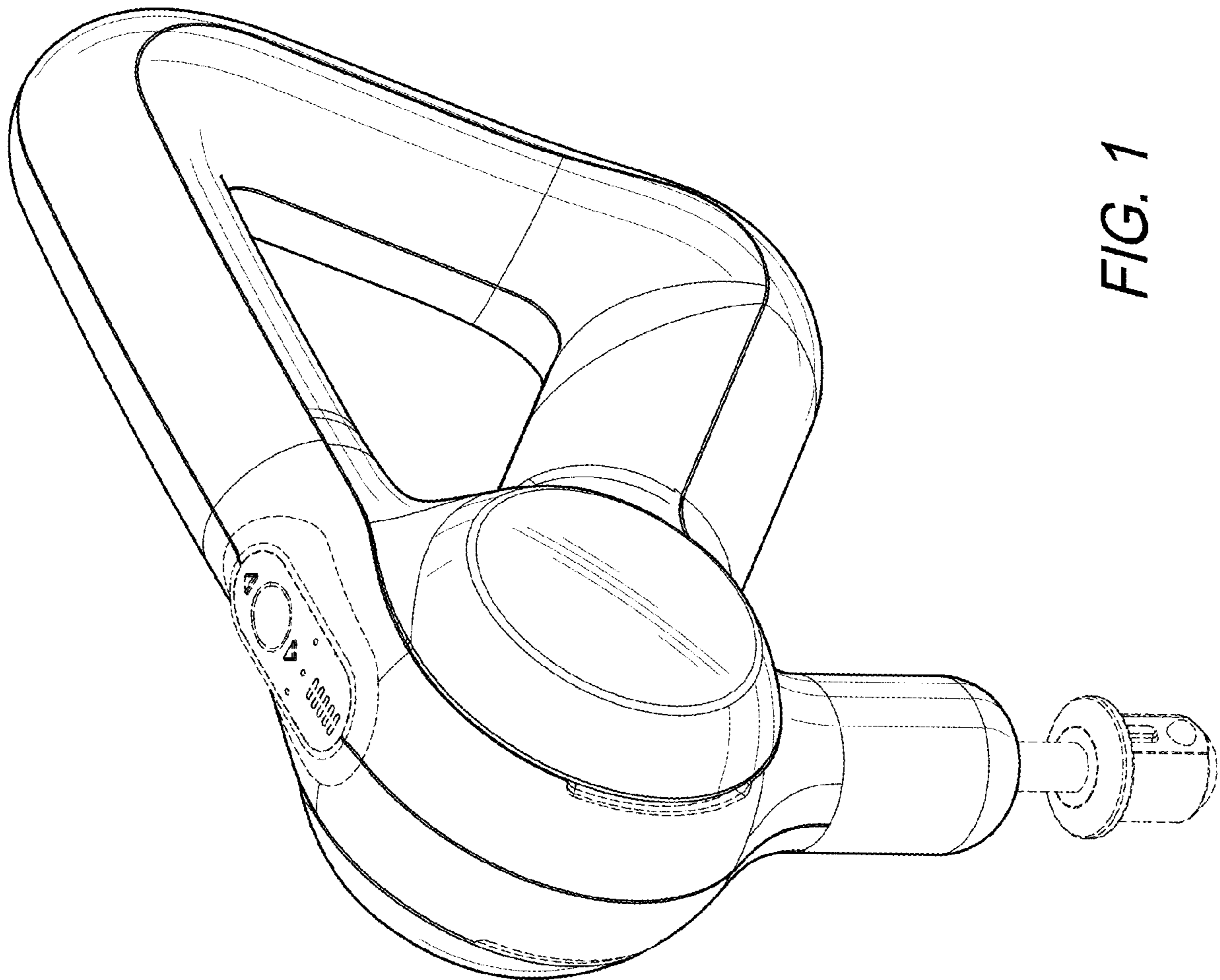


FIG. 1

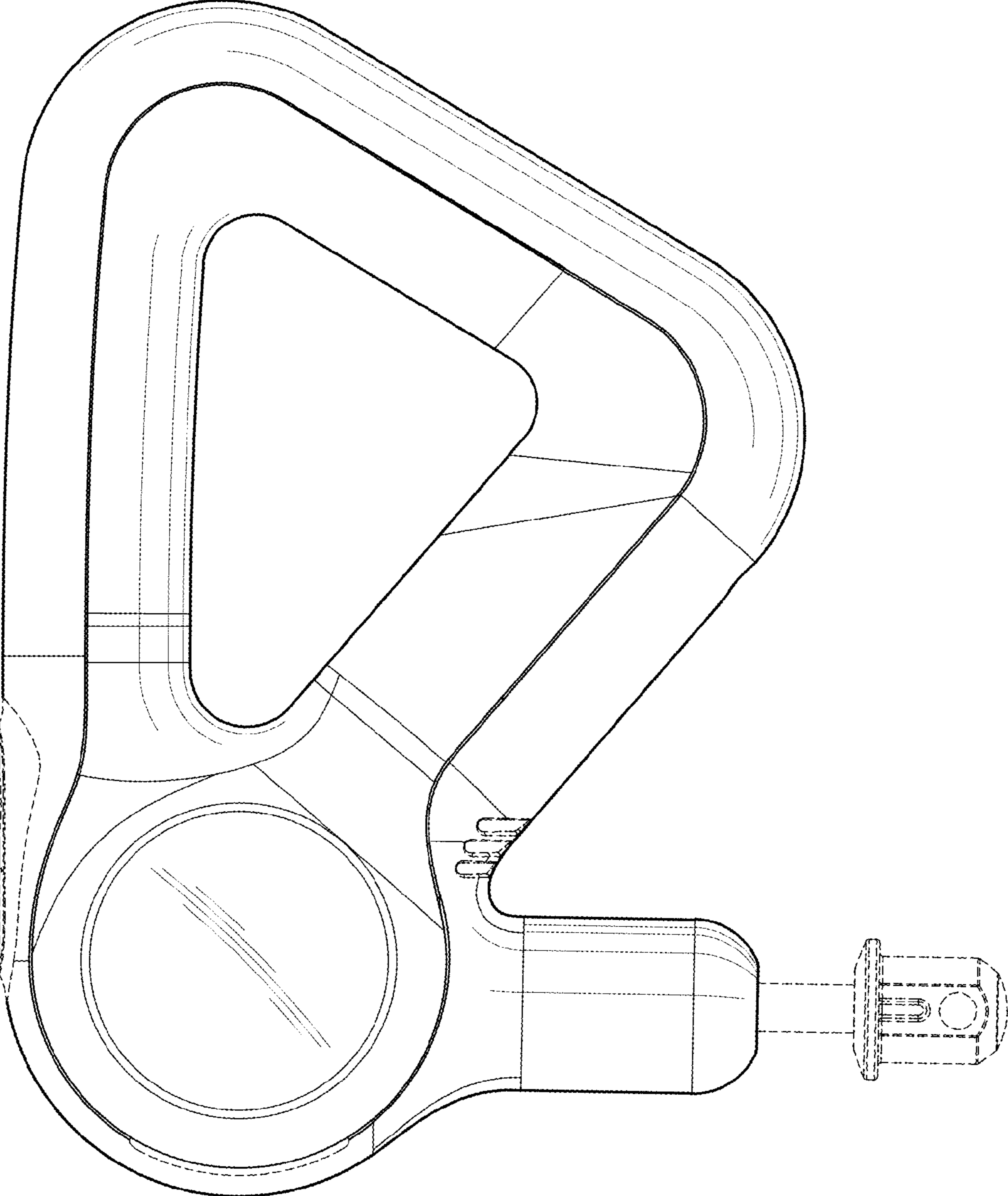


FIG. 2

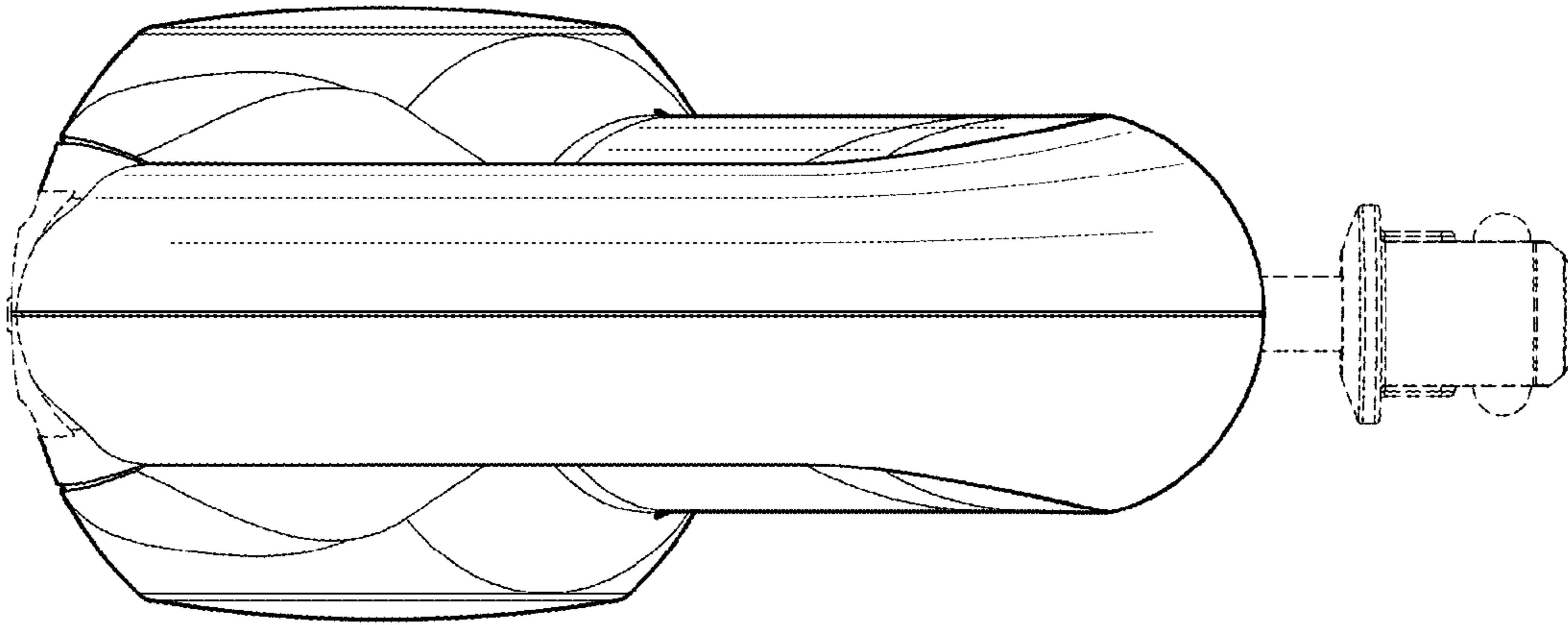


FIG. 4

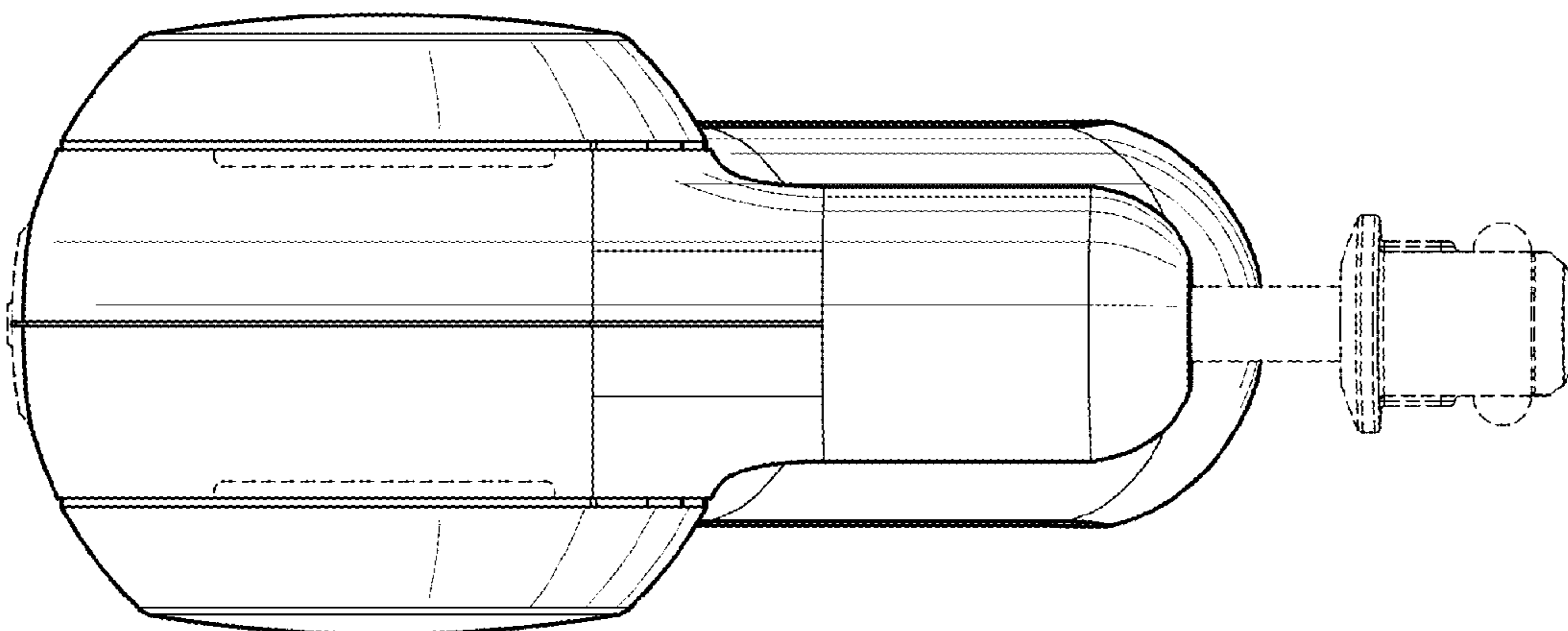


FIG. 3

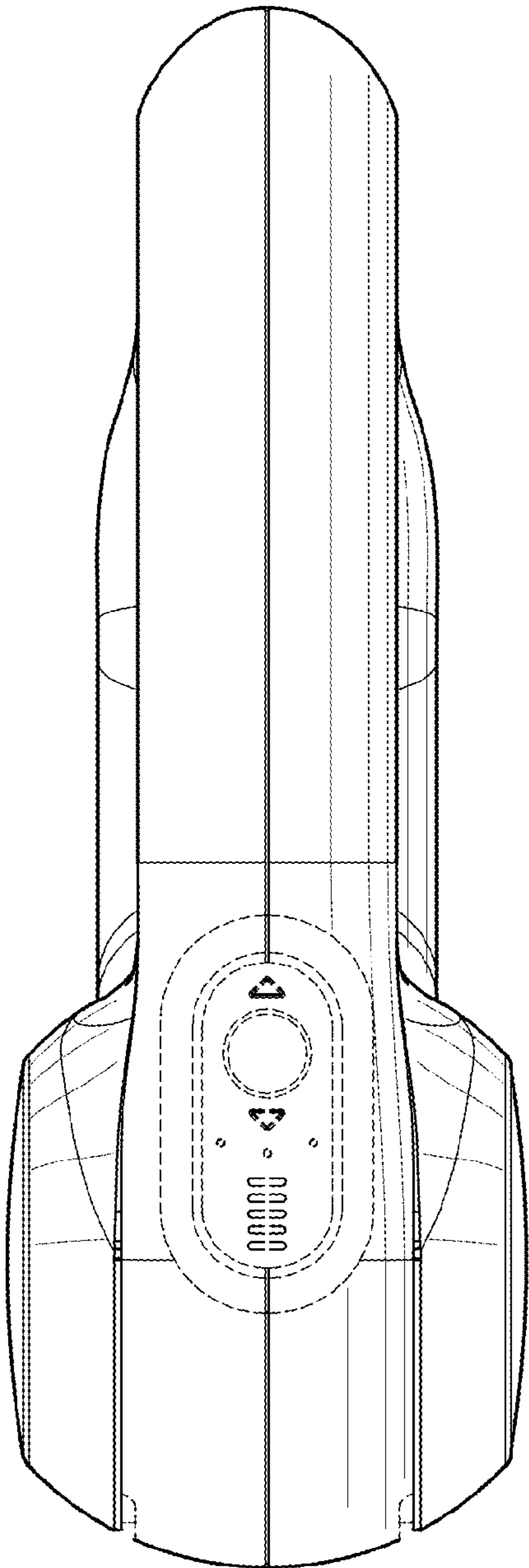


FIG. 5

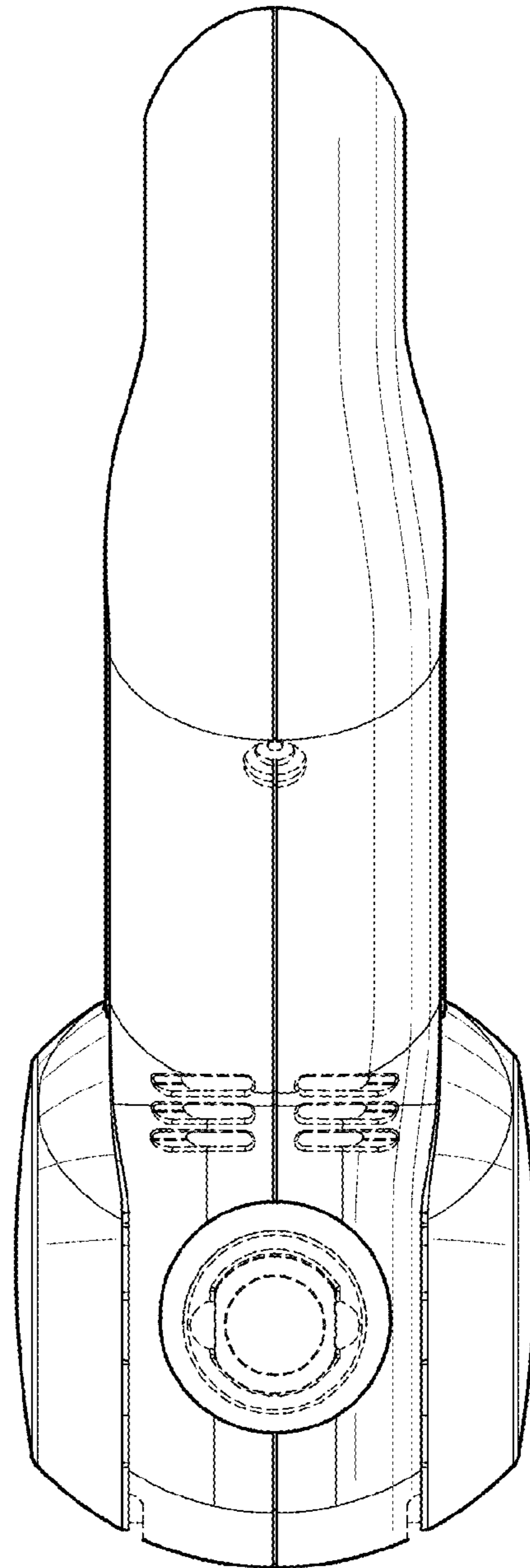


FIG. 6

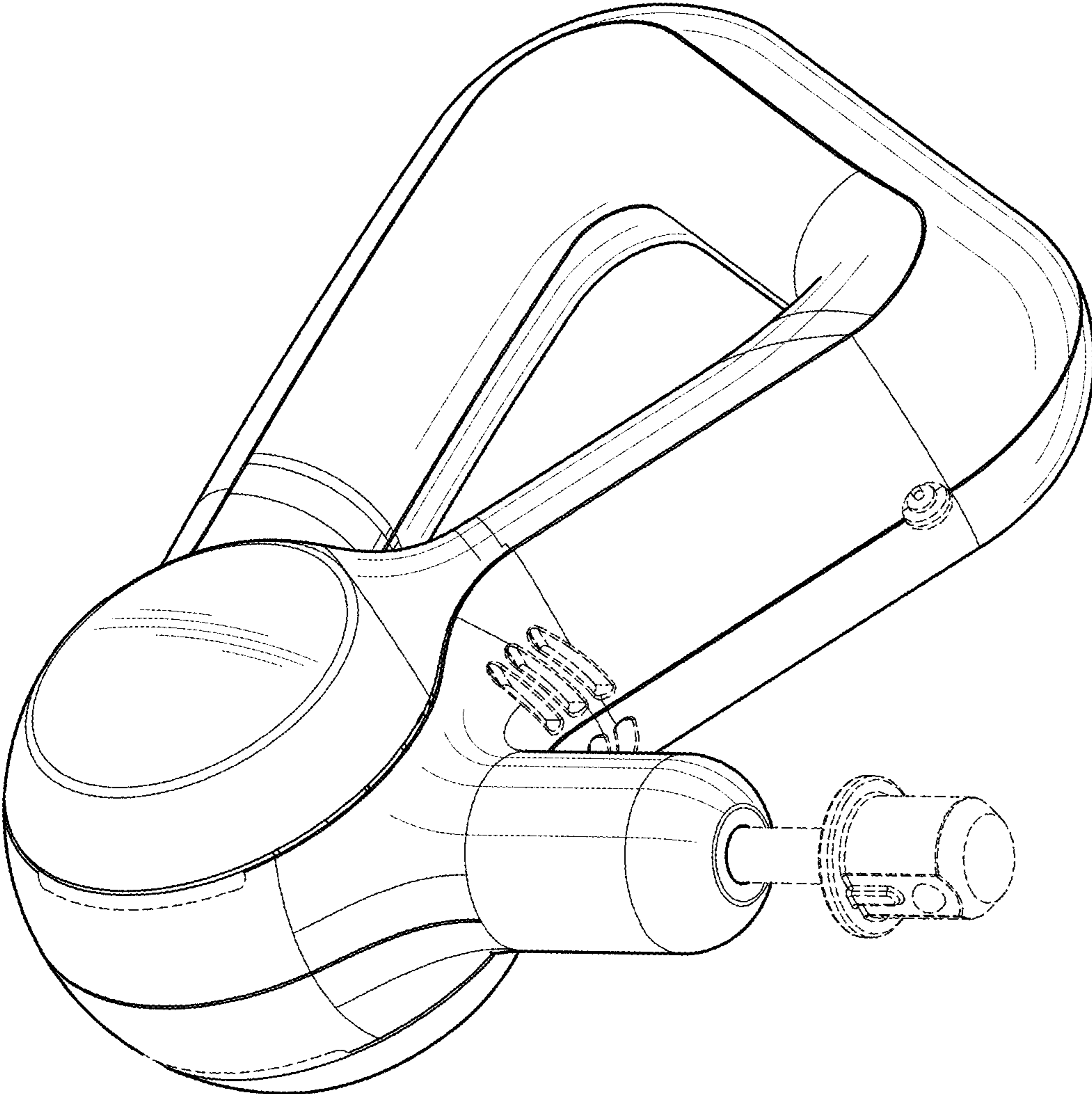


FIG. 7