



US00D879985S

(12) **United States Design Patent**  
**Wersland et al.**

(10) **Patent No.:** **US D879,985 S**  
(45) **Date of Patent:** **\*\* Mar. 31, 2020**

- (54) **PERCUSSIVE MASSAGE DEVICE**
- (71) Applicant: **Theragun, LLC**, Beverly Hills, CA (US)
- (72) Inventors: **Jason Wersland**, Manhattan Beach, CA (US); **Benjamin Nazarian**, Beverly Hills, CA (US); **Jaime Sanchez Solana**, Los Angeles, CA (US); **Eduardo Merino**, Beverly Hills, CA (US); **Trent Hernandez**, Los Angeles, CA (US)
- (73) Assignee: **THERAGUN, INC.**, Beverly Hills, CA (US)
- (\*\*) Term: **15 Years**
- (21) Appl. No.: **29/708,804**
- (22) Filed: **Oct. 9, 2019**

**Related U.S. Application Data**

- (63) Continuation-in-part of application No. 29/674,838, filed on Dec. 26, 2018.
- (51) **LOC (12) Cl.** ..... **28-03**
- (52) **U.S. Cl.**  
USPC ..... **D24/214**
- (58) **Field of Classification Search**  
USPC ..... 601/15, 18, 19, 27, 28, 29, 30, 31, 32, 601/46, 47, 48, 52, 72, 99, 112, 113, 118, 601/135, 137, DIG. 12, DIG. 14, DIG. 15, 601/DIG. 16, DIG. 17; D24/200, 211, D24/212, 213, 214, 215; D8/14.1; 607/85  
CPC .. A61H 23/0254; A61H 1/008; A61H 23/006; A61H 7/007  
See application file for complete search history.

(56) **References Cited**

**U.S. PATENT DOCUMENTS**

- 1,594,636 A \* 8/1926 Smith ..... A61H 23/02  
601/DIG. 17
- 1,784,301 A \* 12/1930 Mekler ..... A61H 9/005  
601/112

- 3,968,789 A \* 7/1976 Simoncini ..... A46B 13/04  
D24/215
- 4,691,693 A \* 9/1987 Sato ..... A61H 7/003  
601/15
- 4,989,613 A \* 2/1991 Finkenberg ..... A61B 5/4504  
601/46
- D329,291 S \* 9/1992 Wollman ..... D24/200  
(Continued)

**OTHER PUBLICATIONS**

Amazon, "Theragun G3PRO Percussive Therapy Device", Feb. 13, 2019. [https://www.amazon.com/dp/B07MJ2MCT3/ref=nav\\_timeline\\_asin?\\_encoding=UTF8&psc=1](https://www.amazon.com/dp/B07MJ2MCT3/ref=nav_timeline_asin?_encoding=UTF8&psc=1). Shown on p. 1. (Year: 2019).

*Primary Examiner* — Cynthia Ramirez  
*Assistant Examiner* — Michael A Maharajh  
(74) *Attorney, Agent, or Firm* — Jeffer Mangels; Butler & Mitchell LLP; Brennan C. Swain, Esq.

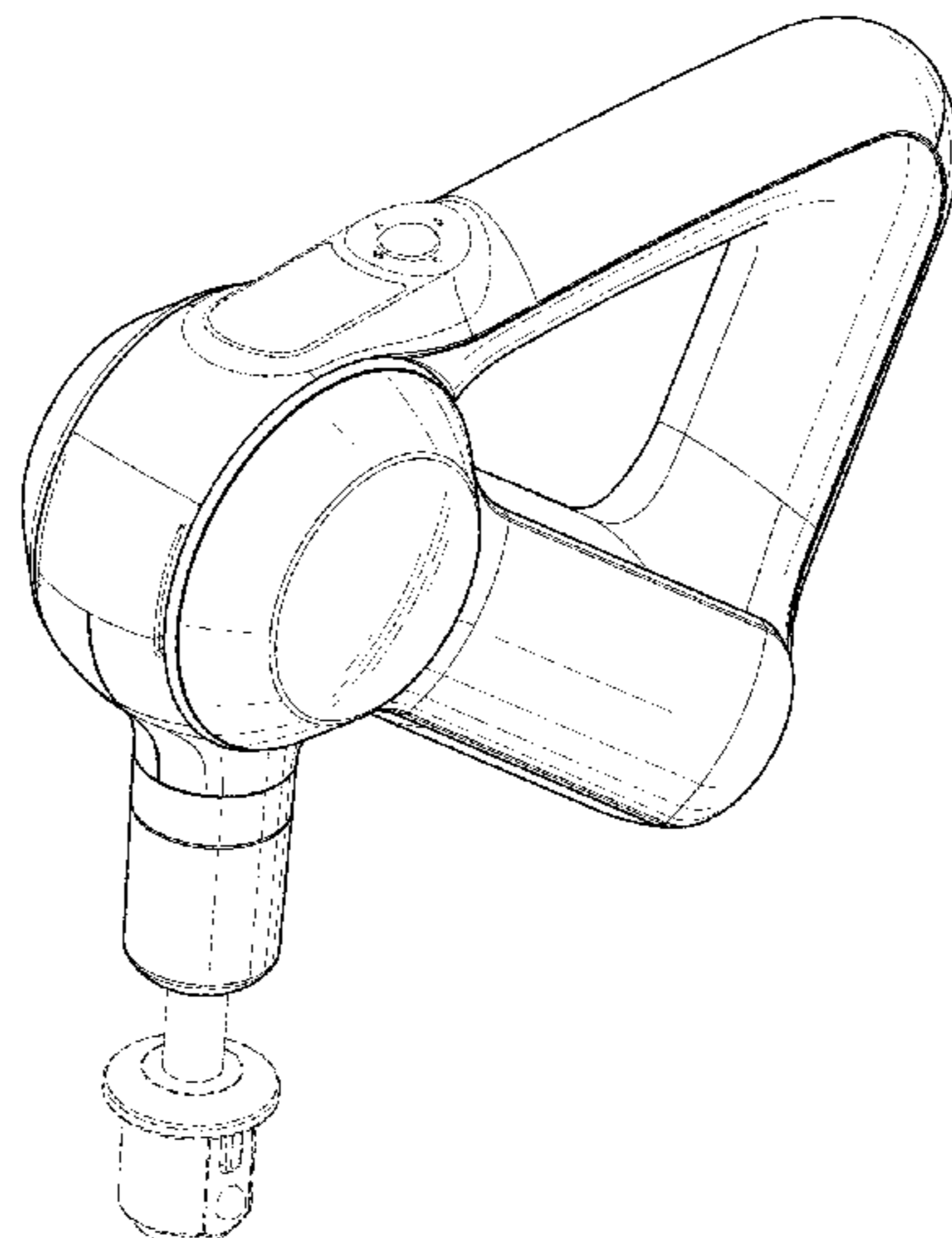
(57) **CLAIM**

The ornamental design for a percussive massage device, as shown and described.

**DESCRIPTION**

FIG. 1 is a top perspective view of a percussive massage device, showing our new design;  
FIG. 2 is a right side elevational view, the left side view being a mirror image thereof;  
FIG. 3 is a front elevational view thereof;  
FIG. 4 is a rear elevational view thereof;  
FIG. 5 is a top plan view thereof;  
FIG. 6 is a bottom plan view thereof; and,  
FIG. 7 is a bottom perspective view thereof.  
The broken lines shown in the figures are for the purpose of illustrating portions of the percussive massage device that form no part of the claimed design.

**1 Claim, 5 Drawing Sheets**



(56)

References Cited

U.S. PATENT DOCUMENTS

D329,292 S *	9/1992	Wollman	.....	D24/200	D847,364 S *	4/2019	Lee	.....	D24/215
D331,467 S *	12/1992	Wollman	.....	D24/200	D847,990 S *	5/2019	Kimball	.....	D24/133
D388,175 S *	12/1997	Lie	.....	D24/215	10,314,762 B1 *	6/2019	Marton	.....	A61H 1/008
5,925,002 A *	7/1999	Wollman	.....	A61H 23/0263	10,357,425 B2	7/2019	Wersland		
				601/46	D855,822 S *	8/2019	Marton	.....	D24/215
D430,938 S *	9/2000	Lee	.....	D24/214	2002/0177795 A1 *	11/2002	Frye	.....	A61H 1/008
D448,852 S *	10/2001	Engelen	.....	D24/215					601/84
6,401,289 B1 *	6/2002	Herbert	.....	A61H 7/005	2002/0188233 A1 *	12/2002	Denyes	.....	A61H 19/34
				601/137					601/DIG. 16
D476,746 S *	7/2003	Harris	.....	D24/214	2003/0195443 A1 *	10/2003	Miller	.....	A61H 1/008
D531,733 S *	11/2006	Burout, III	.....	D24/215					601/108
D553,252 S *	10/2007	Masuda	.....	D24/214	2005/0131461 A1 *	6/2005	Tucek	.....	A61H 1/008
D606,192 S *	12/2009	Summerer	.....	D24/133					601/108
D649,657 S *	11/2011	Petersen	.....	D24/215	2006/0116614 A1 *	6/2006	Jones	.....	A61H 15/0085
D658,759 S *	5/2012	Marescaux	.....	D24/133					601/46
8,435,194 B2 *	5/2013	Dverin	.....	A61B 18/14	2006/0211961 A1 *	9/2006	Meyer	.....	A61H 7/005
				601/112					601/15
D703,337 S *	4/2014	Fuhr	.....	D24/200	2010/0145242 A1 *	6/2010	Tsai	.....	A61H 7/004
D706,433 S *	6/2014	Fuhr	.....	D24/200					601/135
D708,742 S *	7/2014	Dallemagne	.....	D24/133	2010/0160841 A1 *	6/2010	Wu	.....	A61H 7/004
D734,863 S *	7/2015	Hennessey	.....	D24/214					601/135
D735,348 S *	7/2015	Hennessey	.....	D24/211	2010/0274162 A1 *	10/2010	Evans	.....	A61F 7/007
D759,237 S *	6/2016	Heath	.....	D24/133					601/15
D759,238 S *	6/2016	Heath	.....	D24/133	2012/0197357 A1 *	8/2012	Dewey	.....	A61B 18/203
D763,442 S *	8/2016	Price	.....	D24/133					607/89
D778,439 S *	2/2017	Hakansson	.....	D24/133	2013/0030506 A1 *	1/2013	Bartolone	.....	A61N 5/0616
D819,221 S *	5/2018	Lei	.....	D24/200					607/89
D823,478 S *	7/2018	Park	.....	D24/215	2014/0221887 A1 *	8/2014	Wu	.....	A61H 15/0092
D837,395 S *	1/2019	Gan	.....	D24/214					601/112
D838,378 S *	1/2019	Cao	.....	D24/215	2015/0119771 A1 *	4/2015	Roberts	.....	A61H 39/04
D840,547 S *	2/2019	Harle	.....	D24/214					601/135
D842,491 S *	3/2019	Fleming	.....	D24/215	2018/0154141 A1 *	6/2018	Ahn	.....	A61H 39/08
D843,656 S *	3/2019	Zhang	.....	D24/209	2018/0200141 A1 *	7/2018	Wersland	.....	A61H 1/008
D844,896 S *	4/2019	Levi	.....	D24/209	2019/0175434 A1 *	6/2019	Zhang	.....	A61H 1/008
D847,362 S *	4/2019	Tang	.....	D24/215	2019/0254921 A1 *	8/2019	Marton	.....	A61H 23/0254
					2019/0254922 A1 *	8/2019	Marton	.....	A61H 23/0254

\* cited by examiner

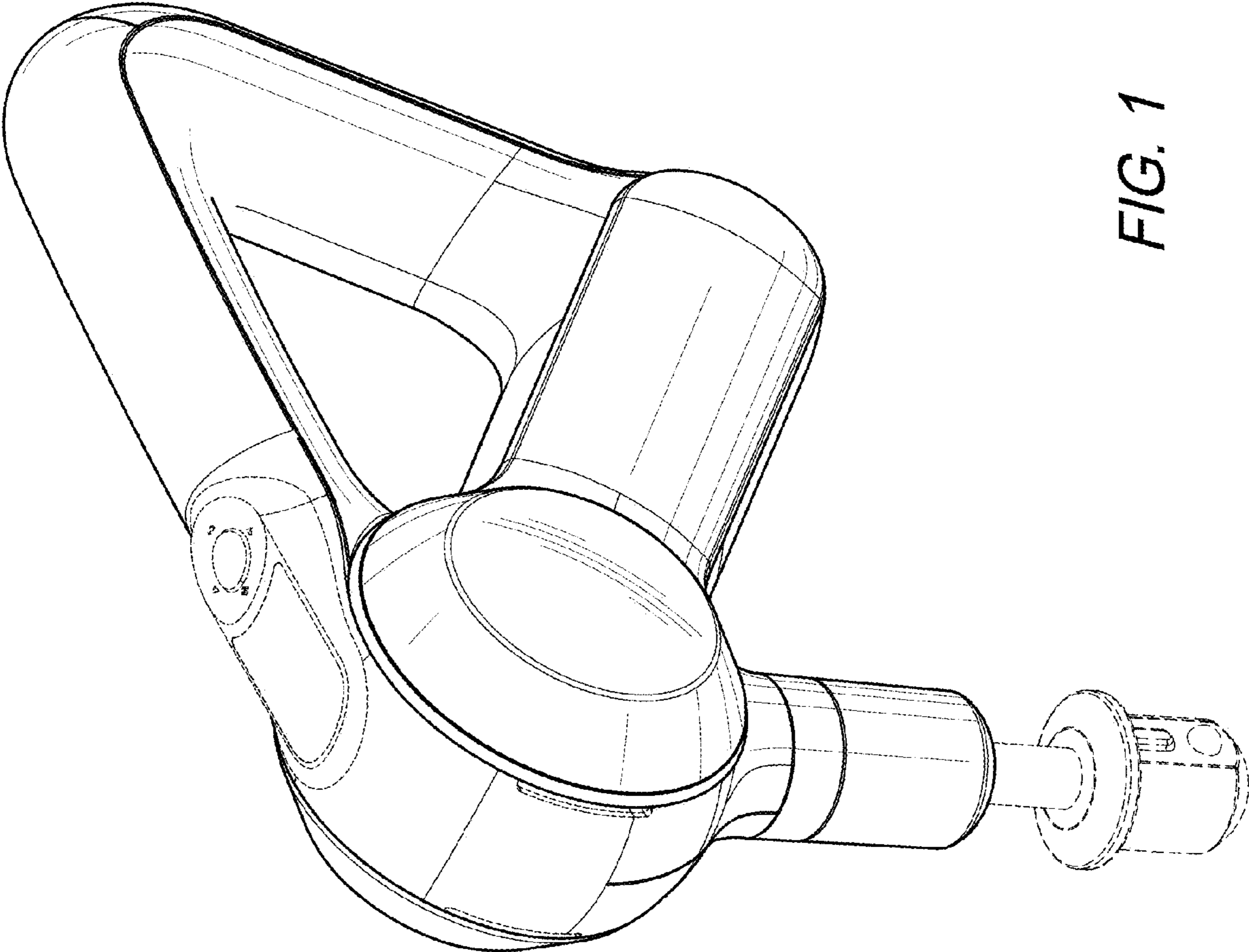


FIG. 1



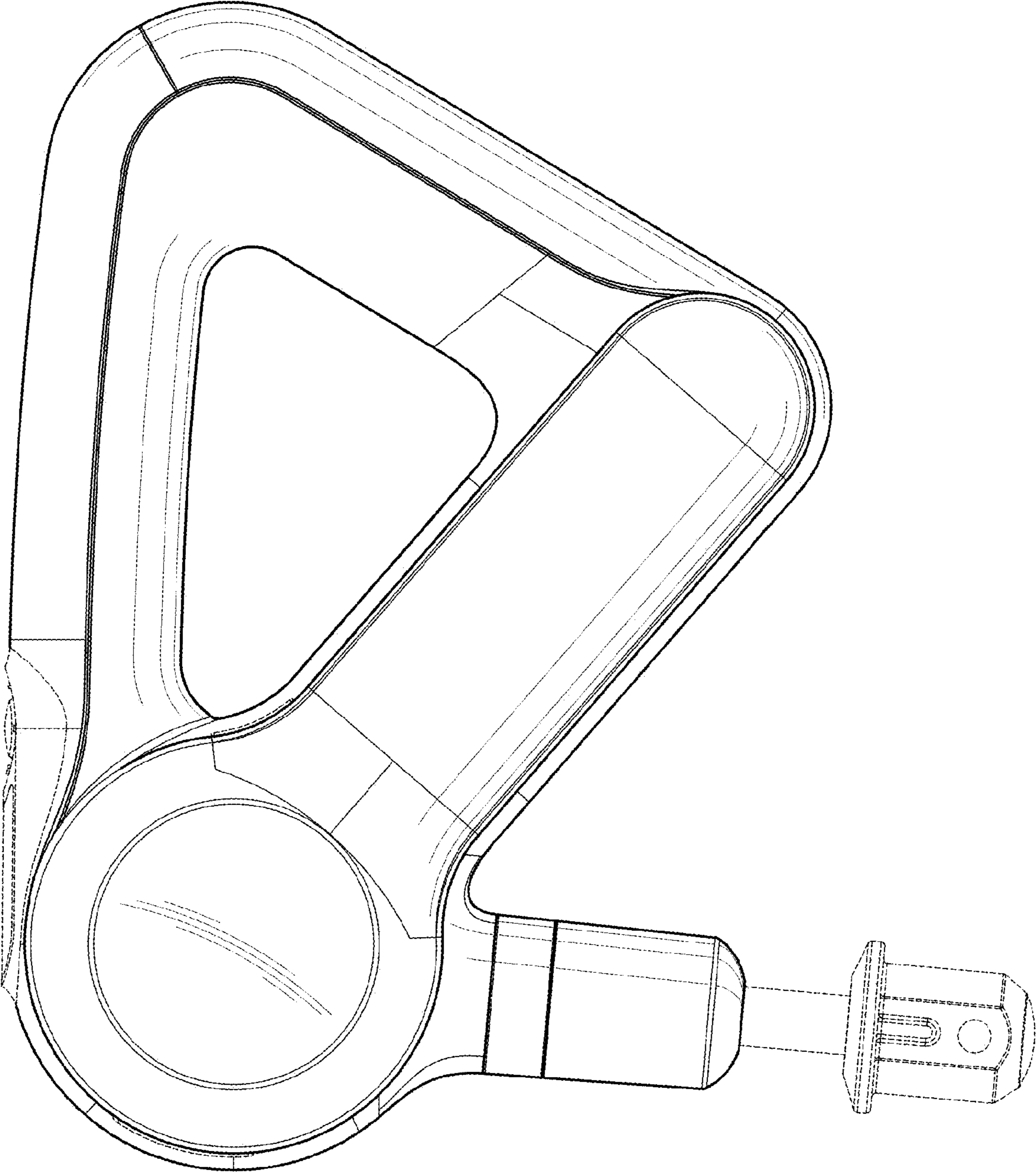


FIG. 2

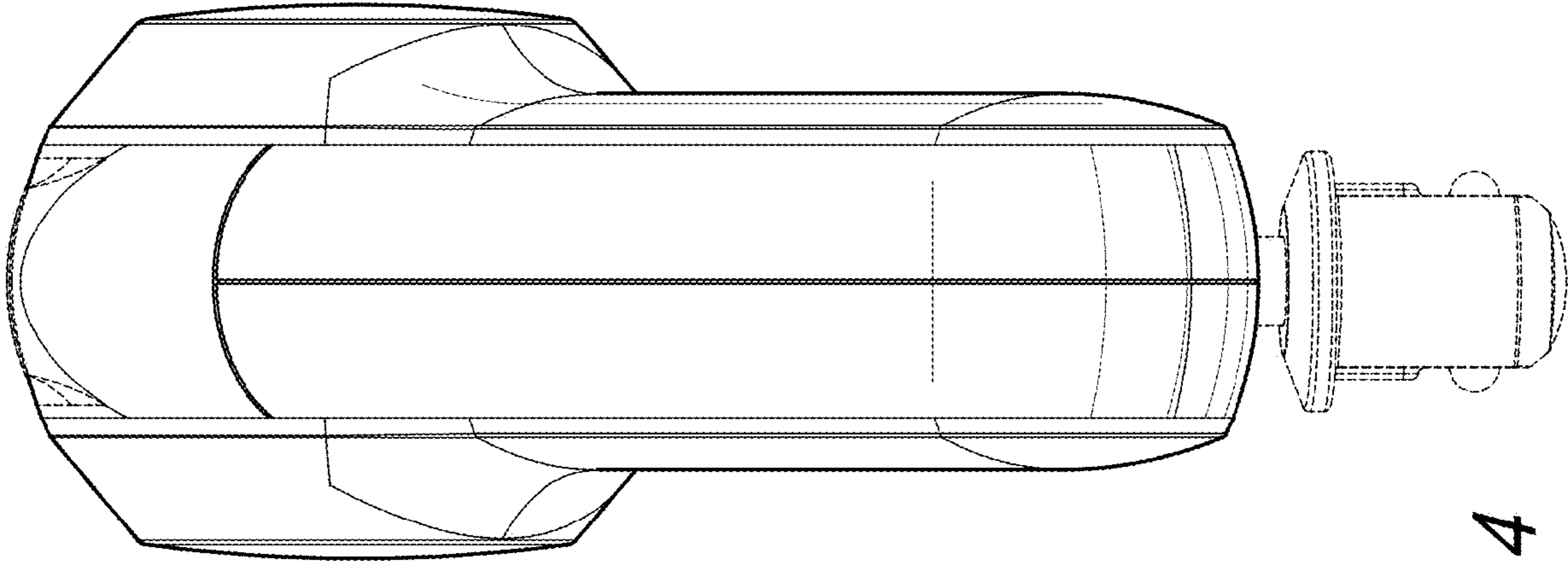


FIG. 4

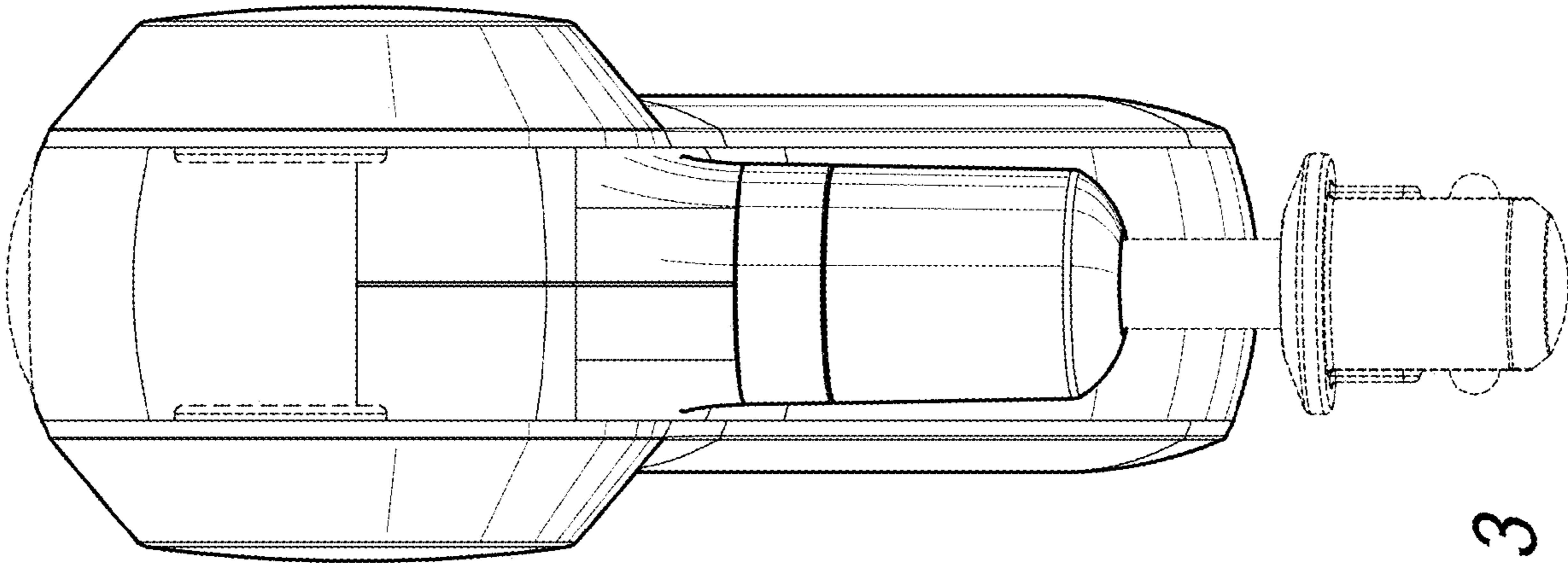


FIG. 3

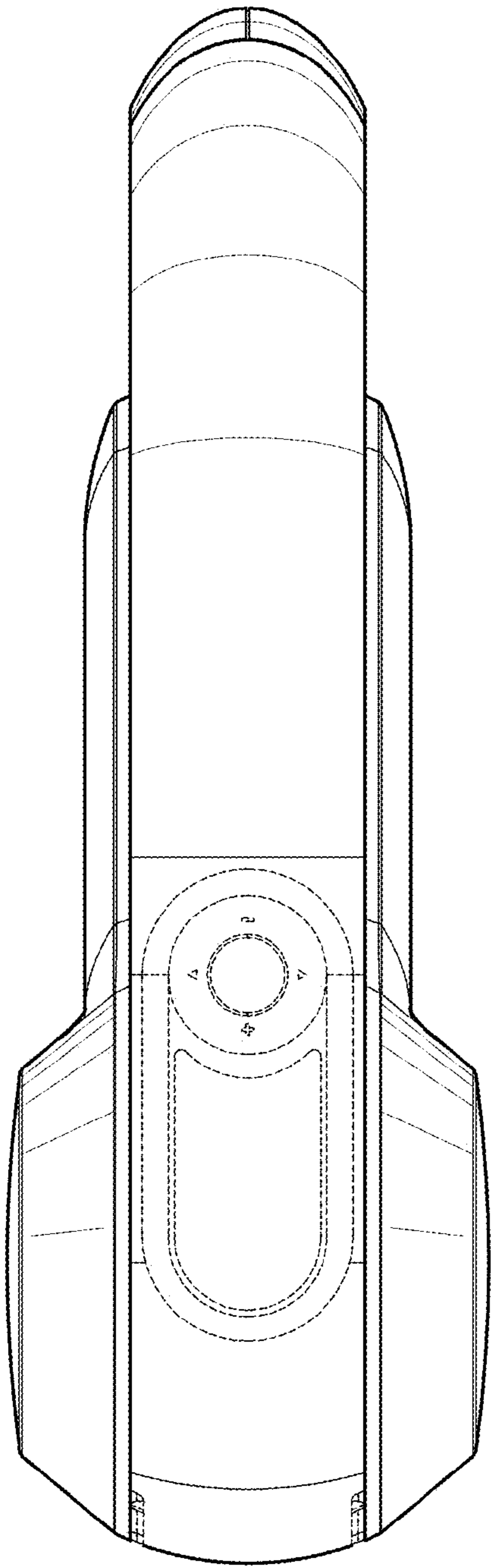


FIG. 5

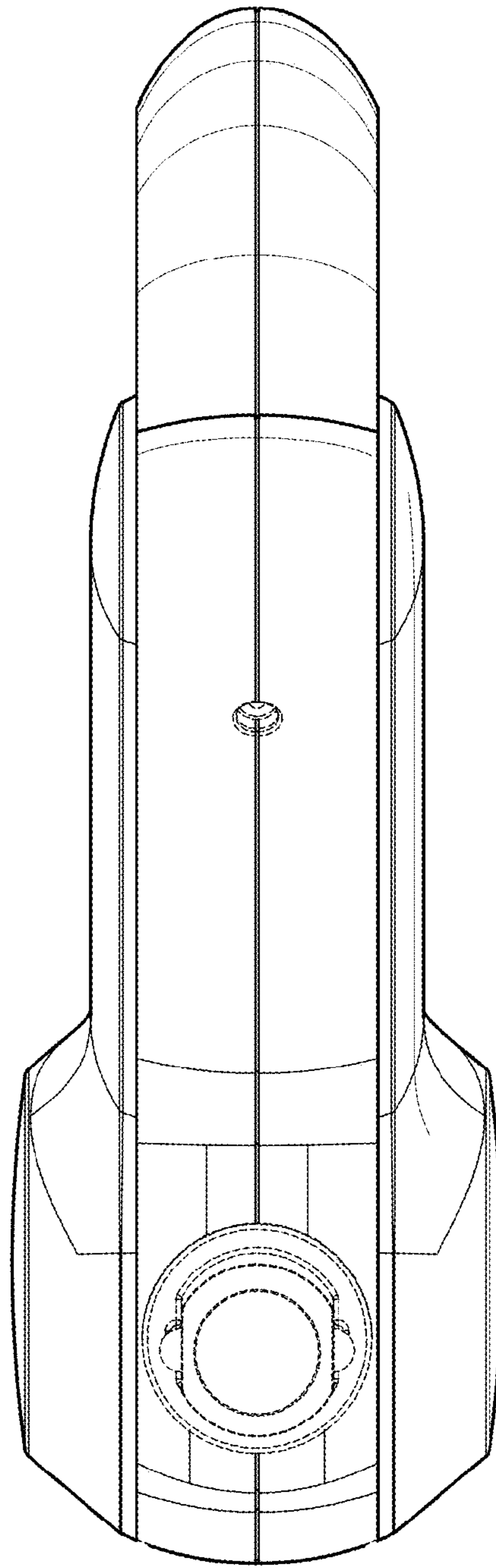


FIG. 6

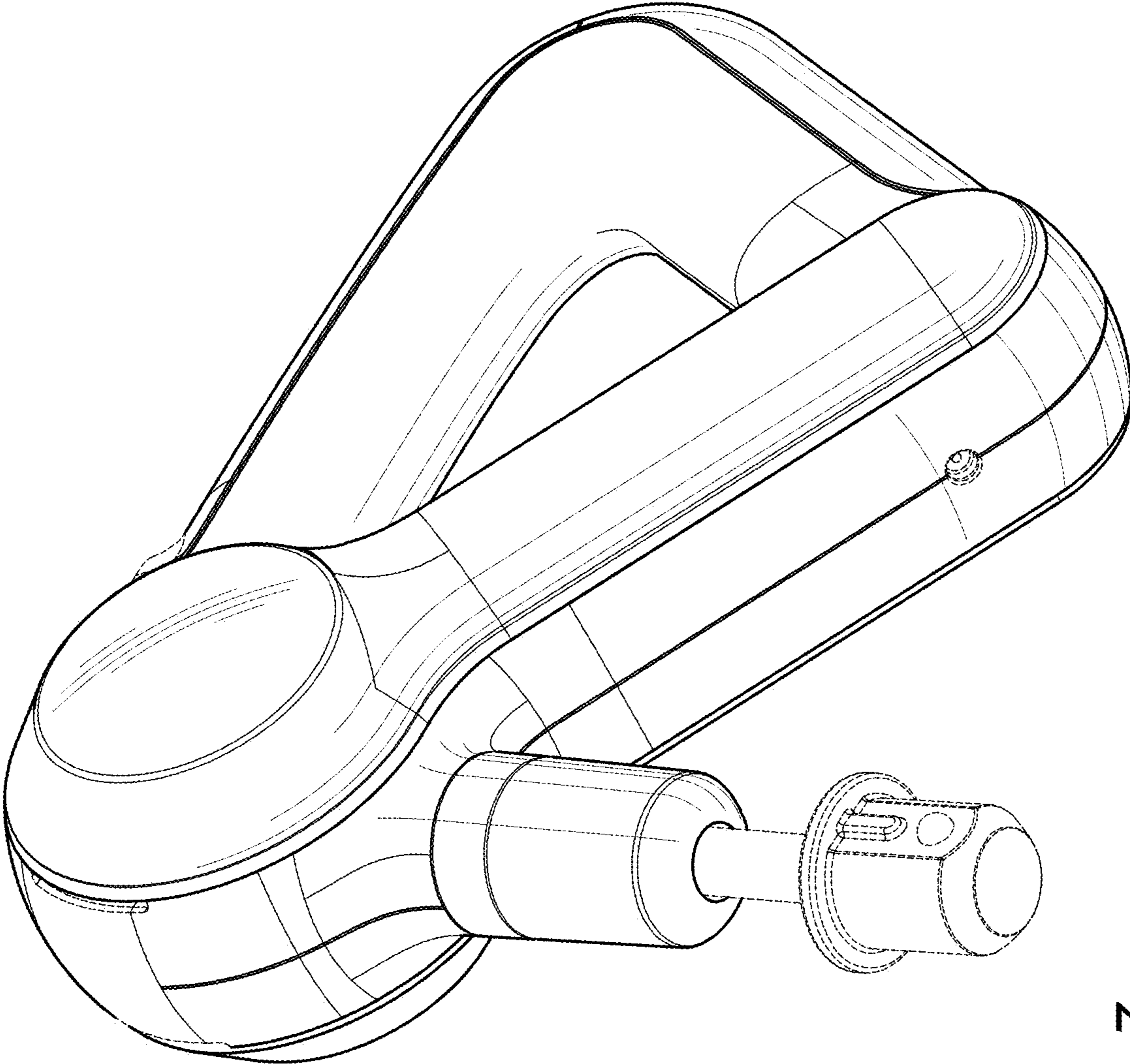


FIG. 7