



US00D879983S

(12) **United States Design Patent**
Wang

(10) **Patent No.:** **US D879,983 S**
(45) **Date of Patent:** **** Mar. 31, 2020**

(54) **ELECTRICAL STIMULATOR**

(71) Applicant: **SHENZHEN NOTO-TECH ELECTRONICS CO., LTD.**, Shenzhen (CN)

(72) Inventor: **Wenxuan Wang**, Shenzhen (CN)

(73) Assignee: **SHENZHEN NOTO-TECH ELECTRONICS CO., LTD.**, Shenzhen (CN)

(**) Term: **15 Years**

(21) Appl. No.: **29/709,261**

(22) Filed: **Oct. 12, 2019**

(51) **LOC (12) Cl.** **28-03**

(52) **U.S. Cl.**
USPC **D24/200**

(58) **Field of Classification Search**
USPC D24/200, 215; 607/46, 48, 50, 54–596;
600/546
CPC ... A61N 1/08; A61N 1/32; A61N 1/36; A61N
1/36003; A61N 1/36014; A61N 1/36017;
A61N 1/36021; A61N 1/36071; A61N
1/0456

See application file for complete search history.

(56) **References Cited**

U.S. PATENT DOCUMENTS

D287,635	S	*	1/1987	Walus	D24/200
D290,095	S	*	6/1987	Montalbano	D24/200
5,048,523	A	*	9/1991	Yamasawa	A61N 1/36021 607/66
D323,561	S	*	1/1992	Bartelt	D24/200
D411,887	S	*	7/1999	Agarwala	D24/200
D428,994	S	*	8/2000	Thauer	D24/200
D442,694	S	*	5/2001	Cheng	D24/200
D821,592	S	*	6/2018	Pham	D24/200
D861,905	S	*	10/2019	Ho	D24/200
2004/0230253	A1	*	11/2004	Sakagami	A61N 1/32 607/48

(Continued)

OTHER PUBLICATIONS

“TENS Unit Electric Muscle Stimulator Machine 25 Modes and 50 Intensity with 4 Electro Pads for Back Neck Knees Pain and Muscle Therapy Rechargeable Digital Pulse Massager Pain Management”, Retrieved Oct. 12, 2019]. Retrieved from Internet, https://www.amazon.com/Electric-Stimulator-Intensity-Rechargeable-Management/dp/B07TYSFL7S/ref=sr_1_33.

(Continued)

Primary Examiner — Wan Laymon

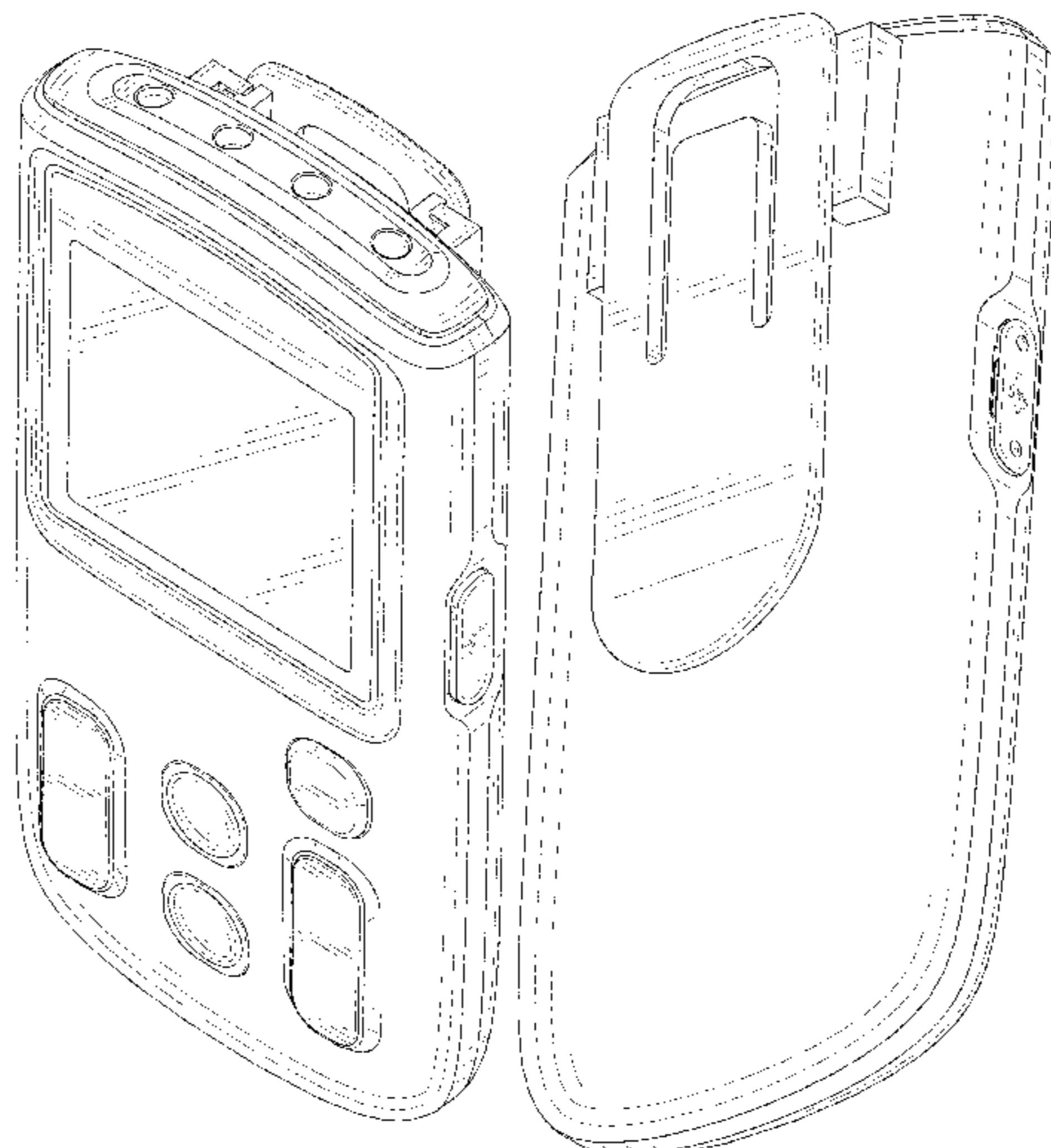
(57) **CLAIM**

The ornamental design for an electrical stimulator, as shown and described.

DESCRIPTION

FIG. 1 is a perspective view of a first embodiment of an electrical stimulator showing my new design; FIG. 2 is another perspective view thereof; FIG. 3 is a front elevational view thereof; FIG. 4 is a rear elevational view thereof; FIG. 5 is a left side elevational view thereof; FIG. 6 is a right side elevational view thereof; FIG. 7 is a top plan view thereof; FIG. 8 is a bottom plan view thereof; FIG. 9 is a perspective view of a second embodiment of the electrical stimulator showing my new design; FIG. 10 is another perspective view thereof; FIG. 11 is a front elevational view thereof; FIG. 12 is a rear elevational view thereof; FIG. 13 is a left side elevational view thereof; FIG. 14 is a right side elevational view thereof; FIG. 15 is a top plan view thereof; and, FIG. 16 is a bottom plan view thereof. The broken lines in the drawings depict portions of the electrical stimulator that form no part of the claimed design.

1 Claim, 16 Drawing Sheets



(56)

References Cited

U.S. PATENT DOCUMENTS

2017/0072194 A1* 3/2017 Li A61N 1/36014

OTHER PUBLICATIONS

“Professional 3-in-1 TENS Unit, Ohuhu FDA Cleared TENS + EMS Therapy +Pulse Messenger Combination Electrical Muscle Stimulator— Electrotherapy Treatment Unit with 36 Modes and 8 Reusable Pads”, Retrieved Oct. 12, 2019]. Retrieved from Internet, http://www.amazon.com/Cleared-Ohuhu-Electrical-Muscle-Stimulator/dp/B07M7SH66R/ref=sr_1_25.

“24 Modes Best Muscle Stimulator TENS EMS nmes Unit Machines Electric Electronic Pulse Massagers for Back Neck Shoulder Knee Legs Body Pain tmj Replacement Pads HealthmateForever BM24AB”, Retrieved Oct. 12, 2019]. Retrieved from Internet, http://www.amazon.com/dp/B07YZV1DJ6/ref=sr_1_260.

* cited by examiner

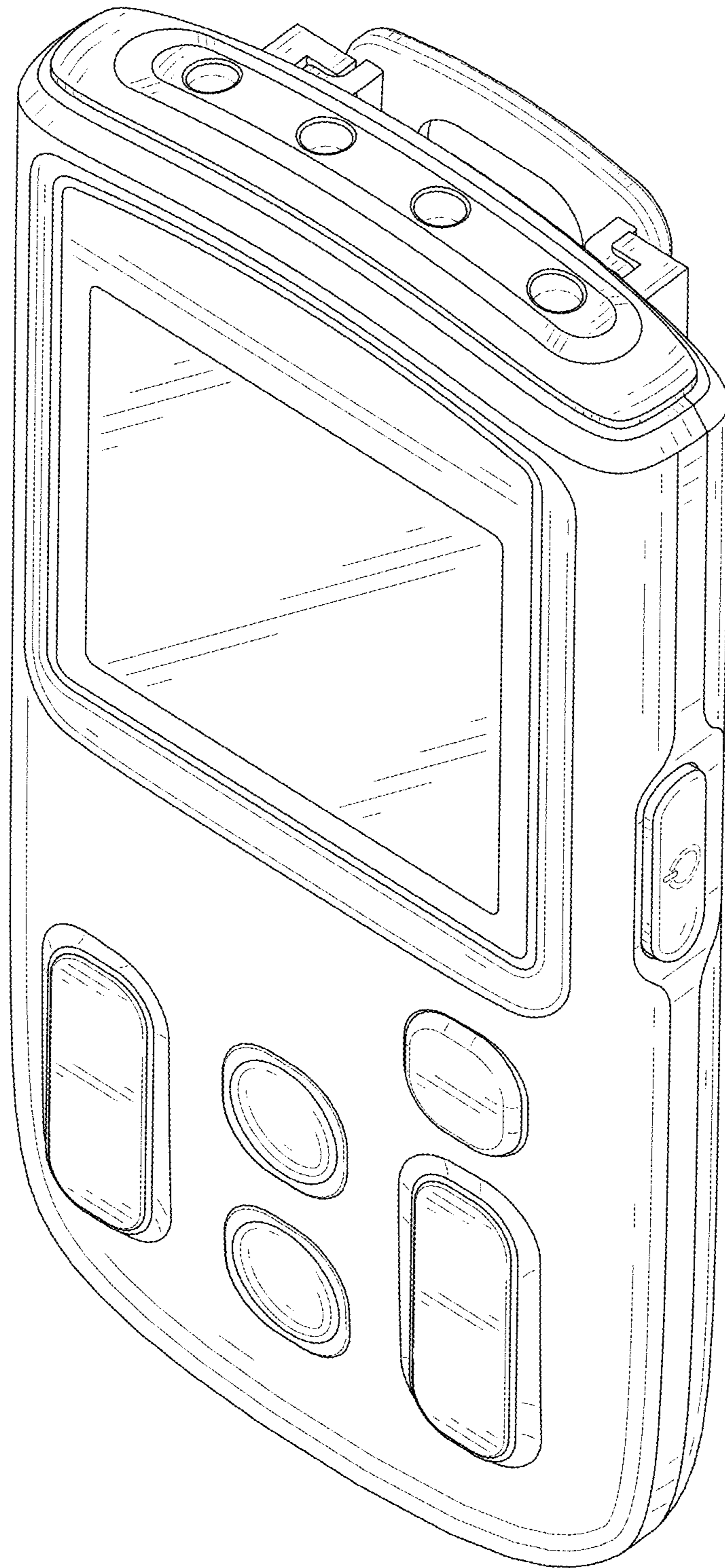


FIG. 1

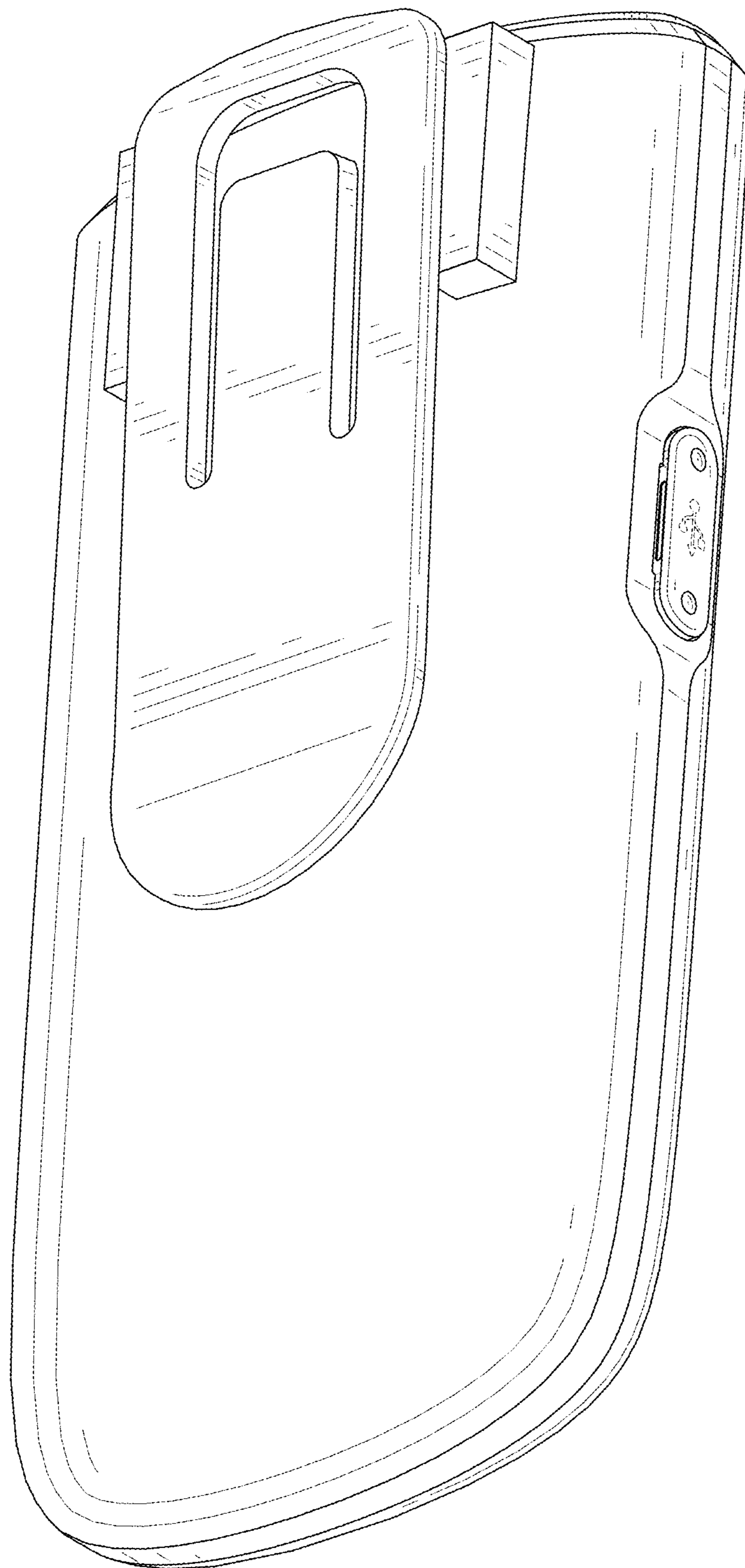


FIG. 2

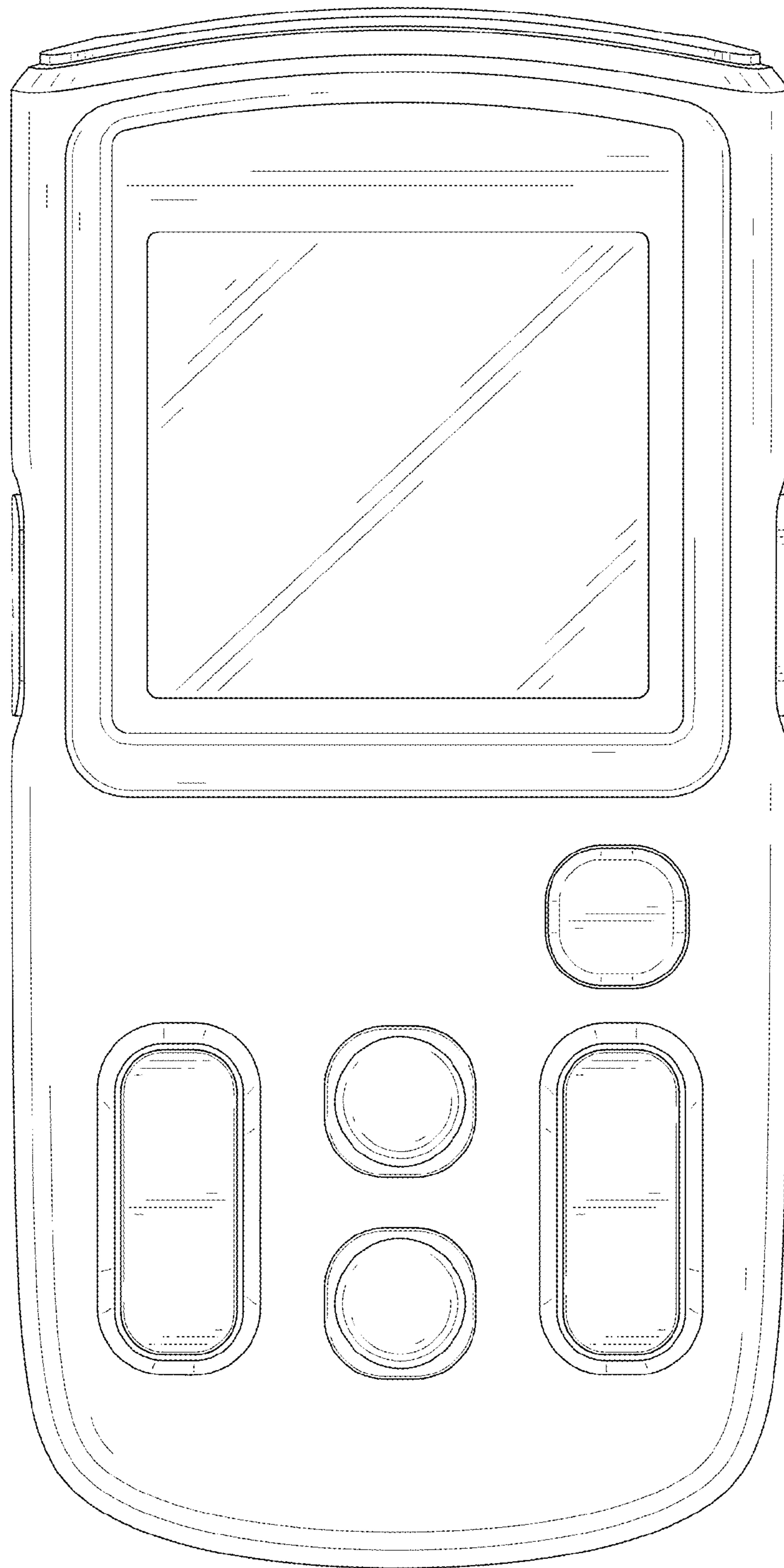


FIG. 3

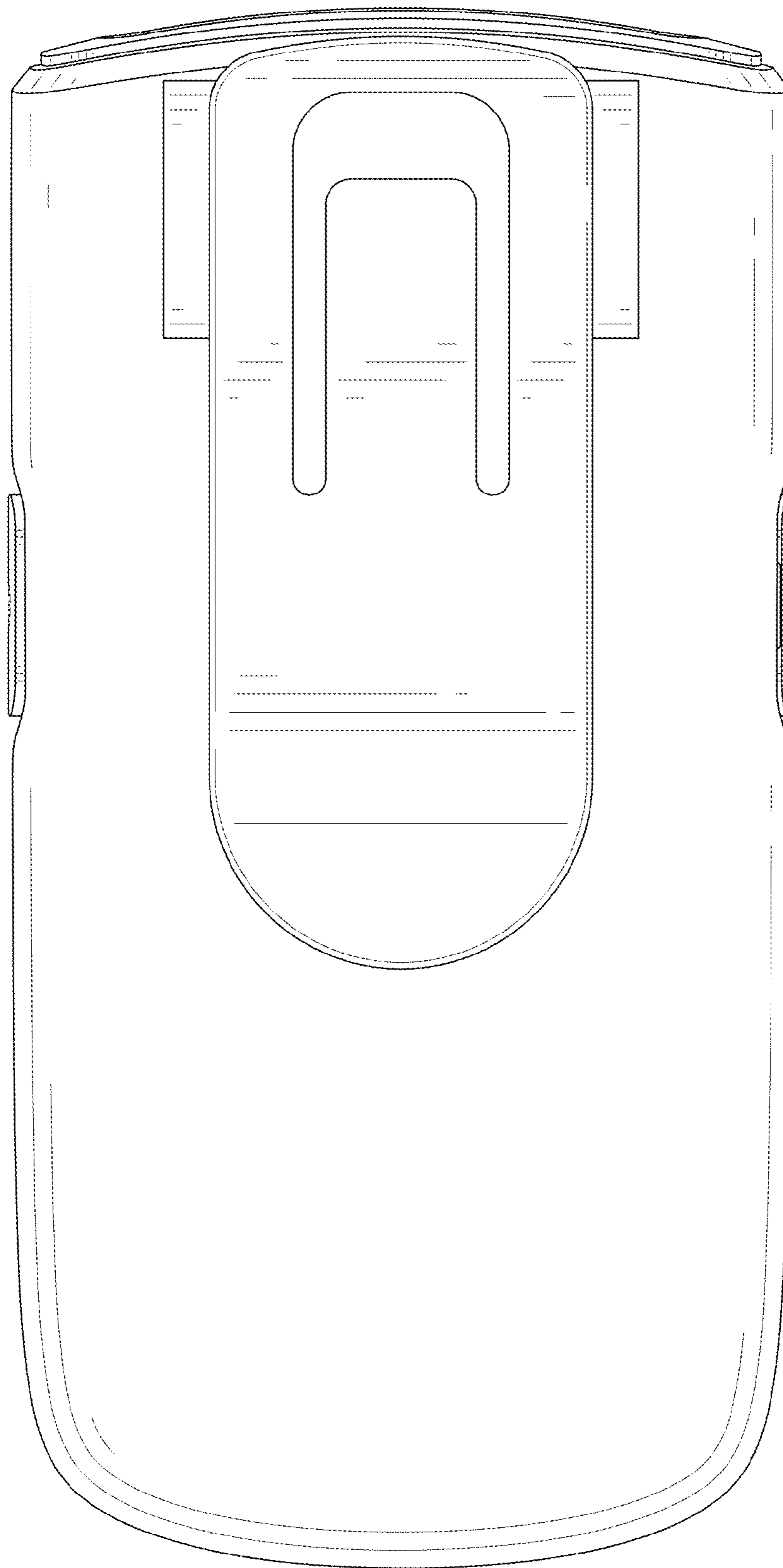


FIG. 4

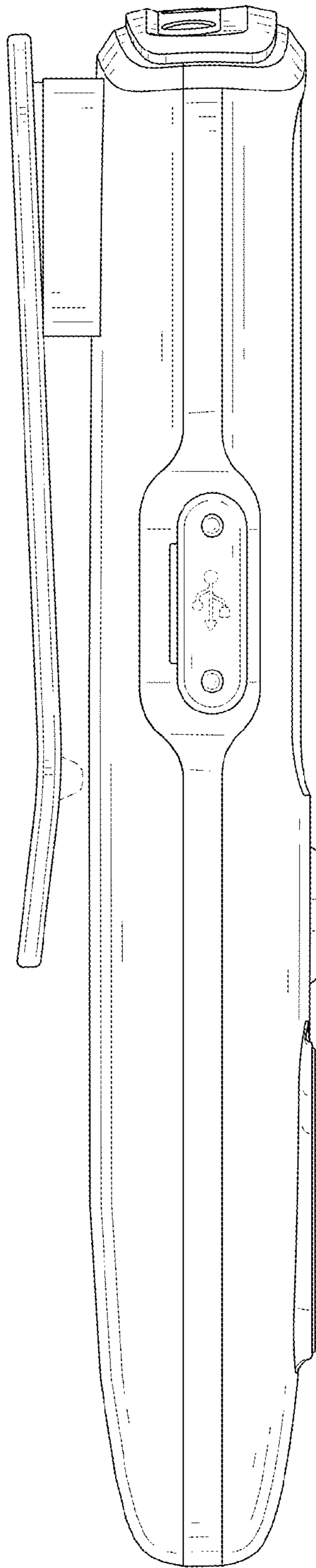


FIG. 5

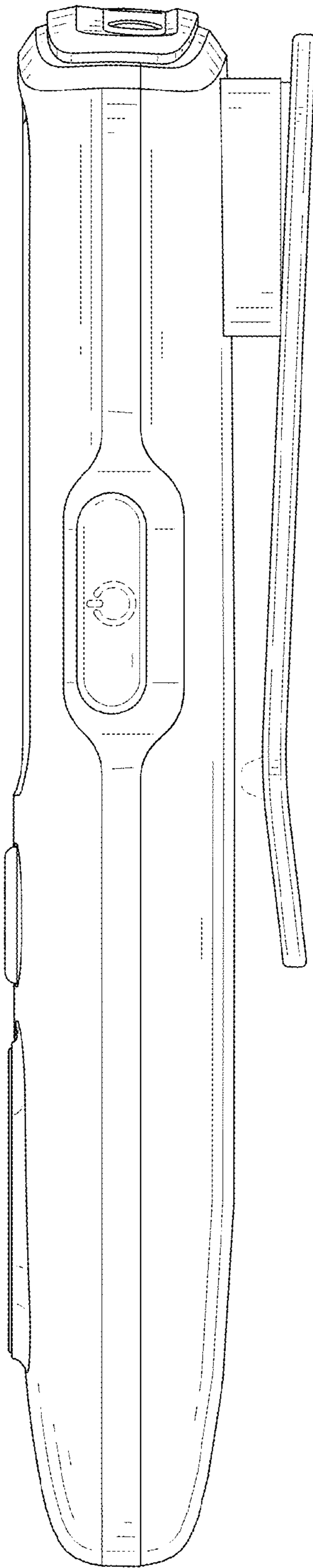


FIG. 6

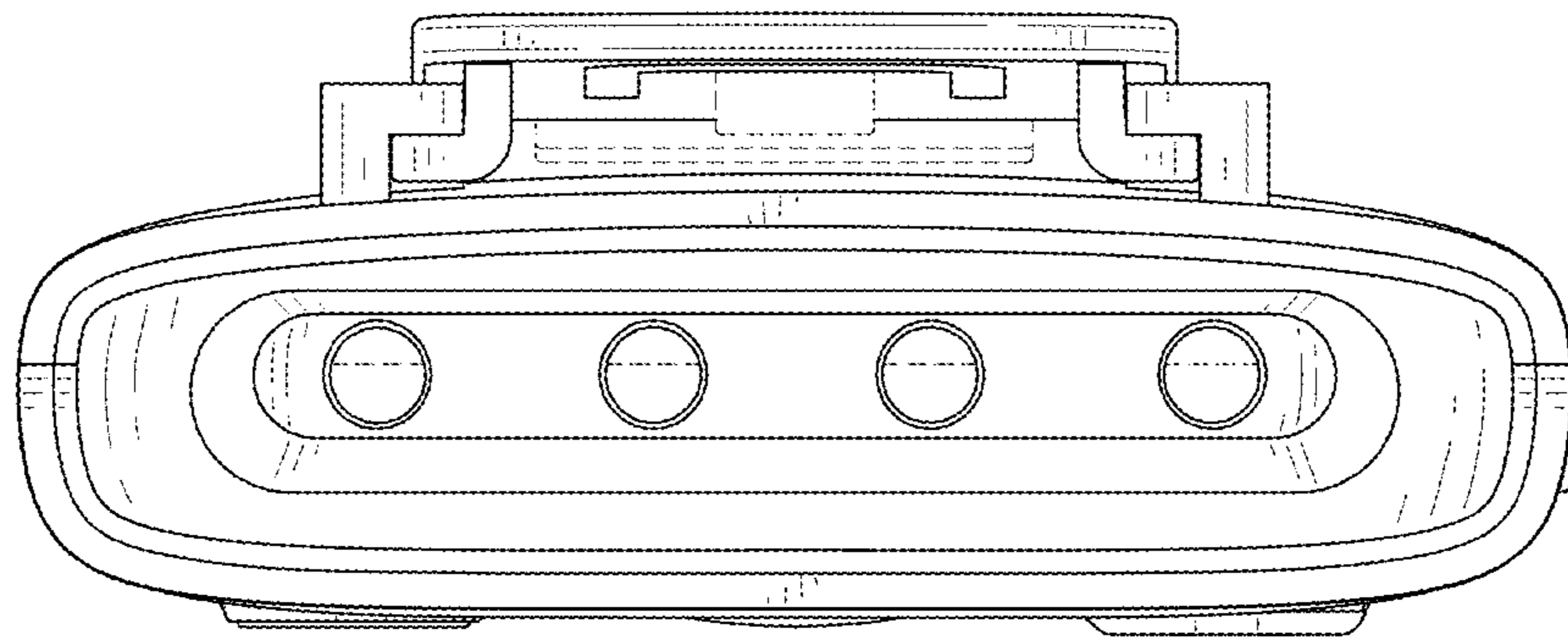


FIG. 7

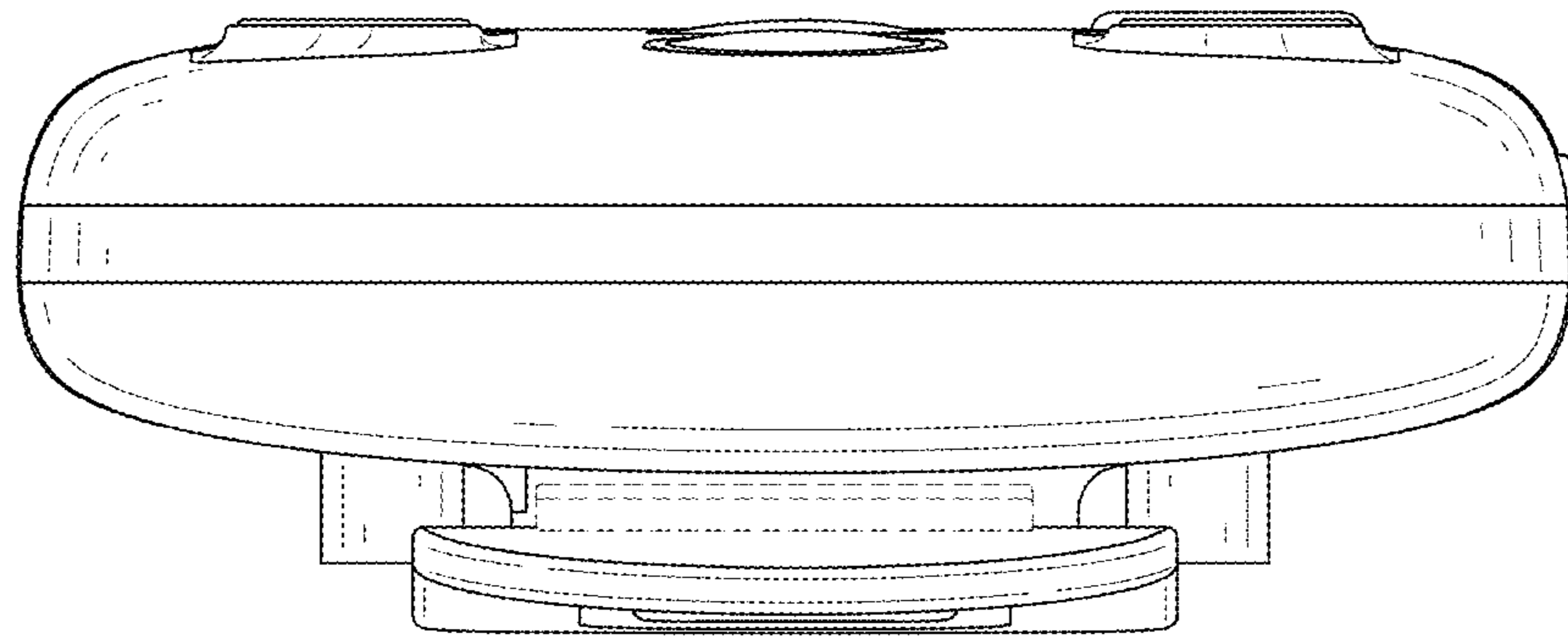


FIG. 8

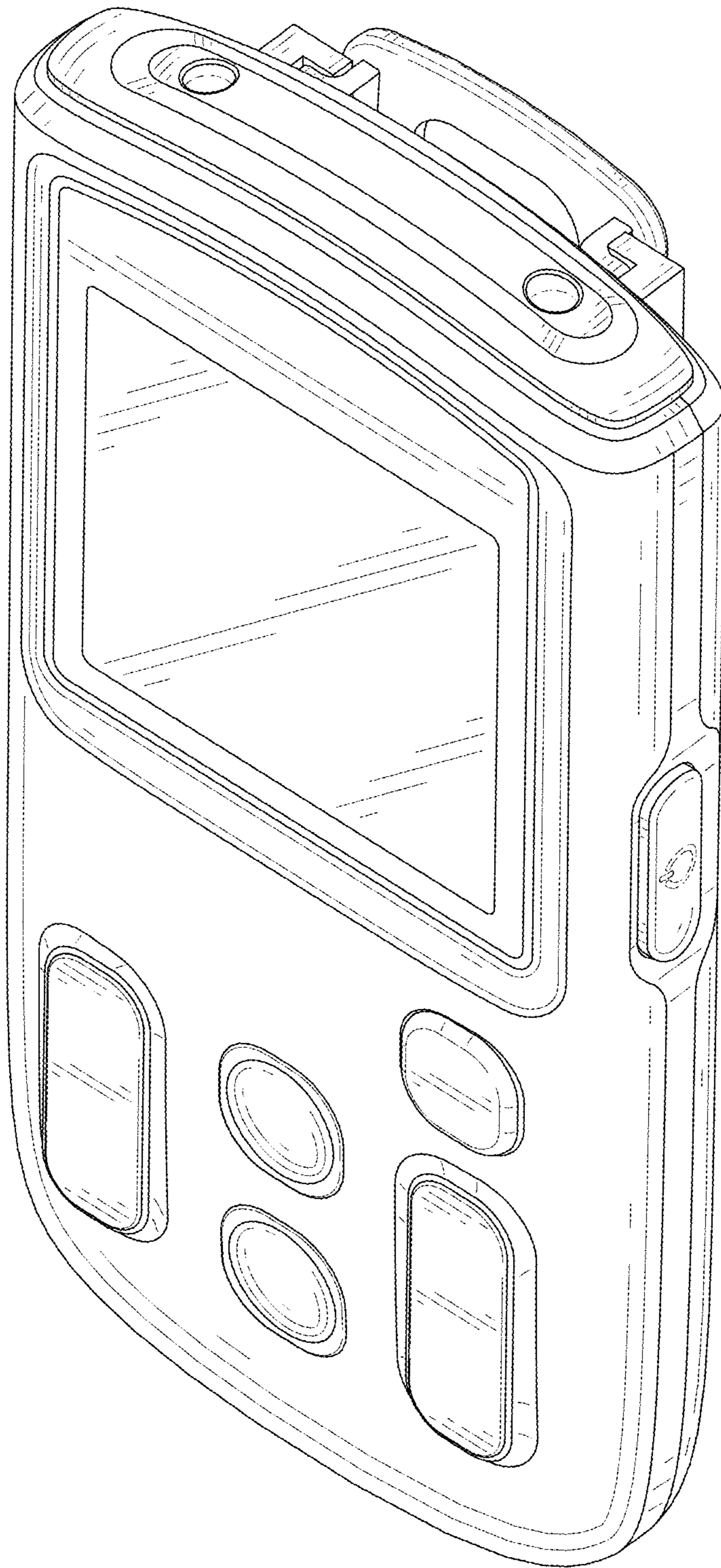


FIG. 9

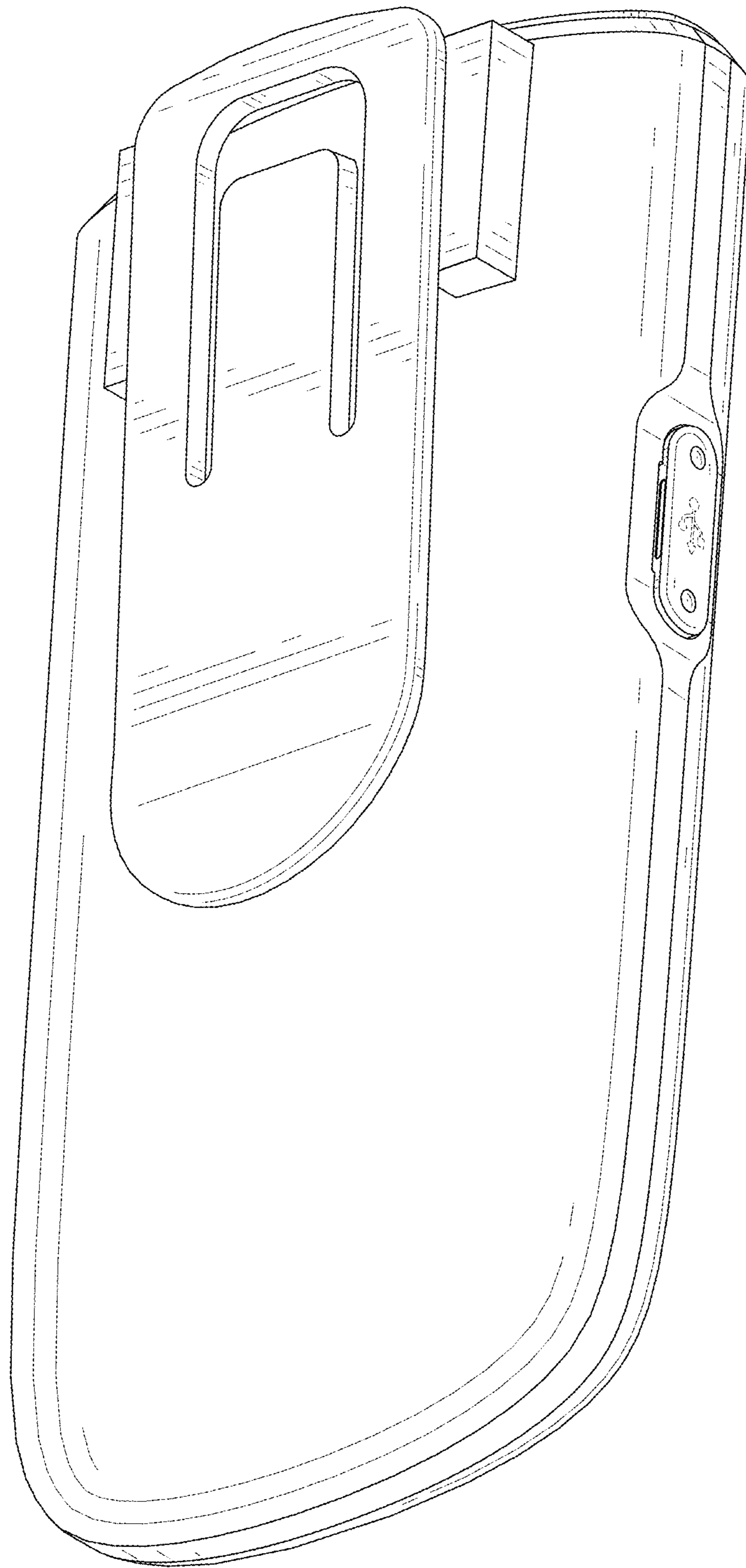


FIG. 10

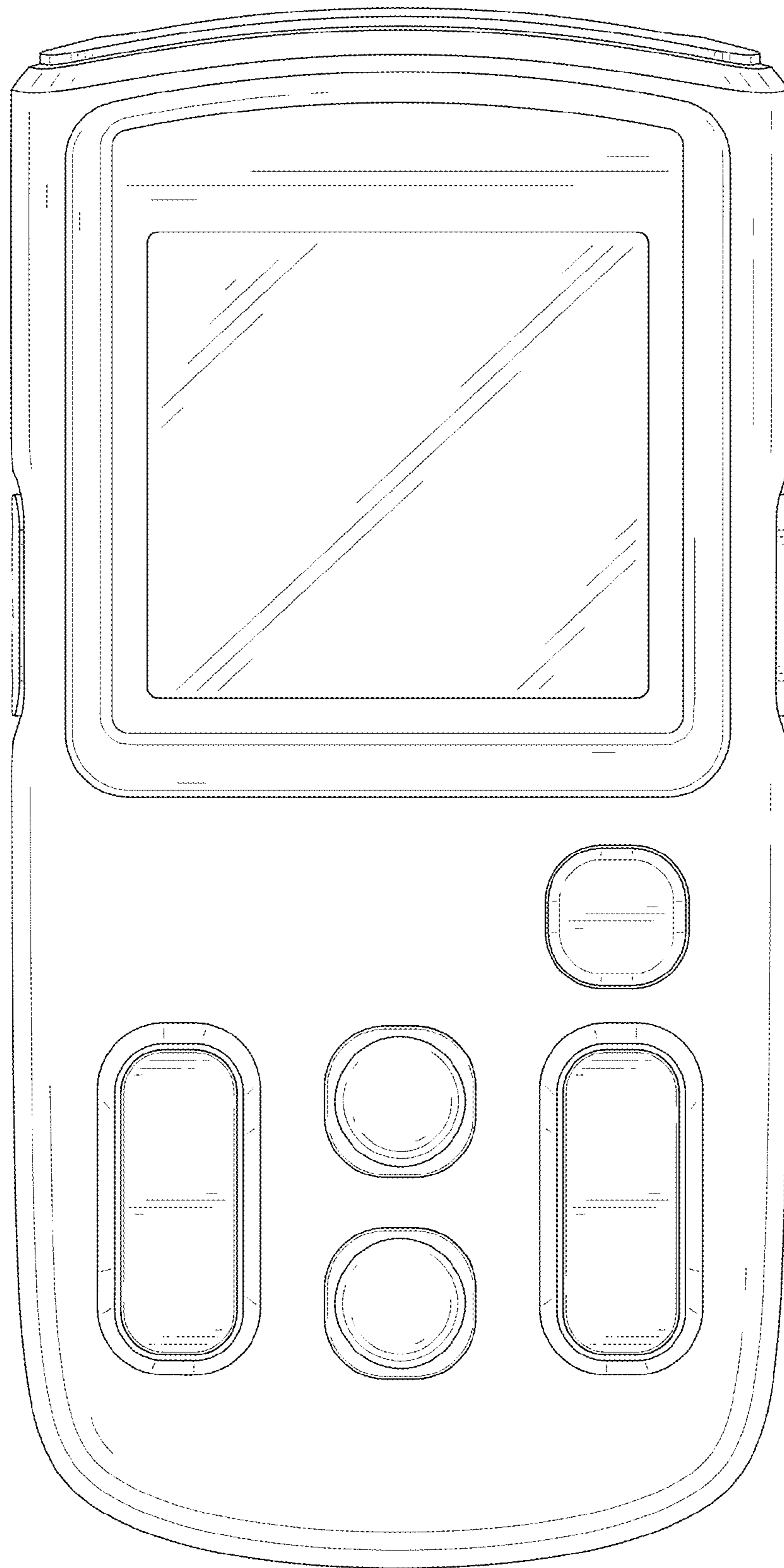


FIG. 11

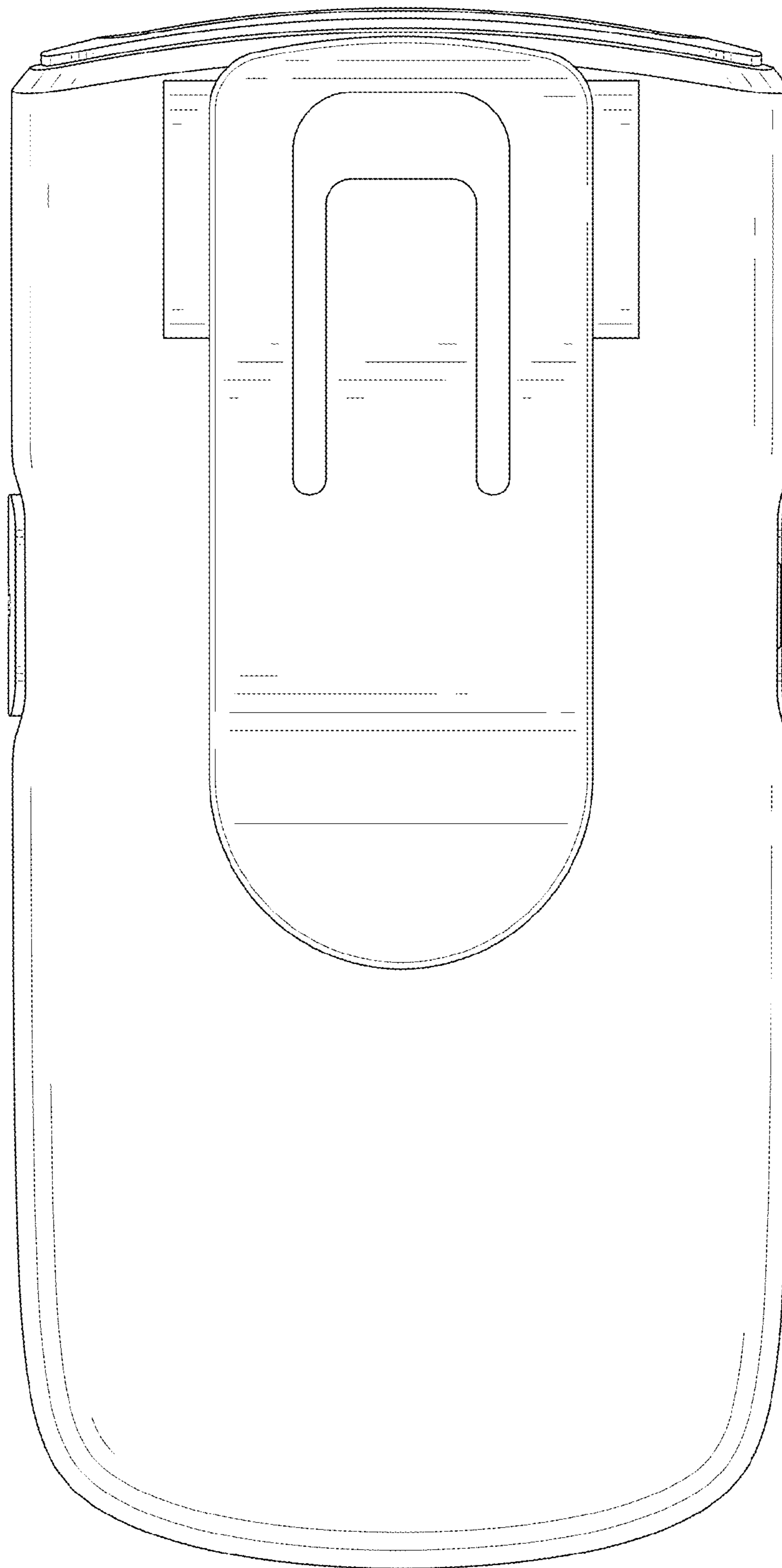


FIG. 12

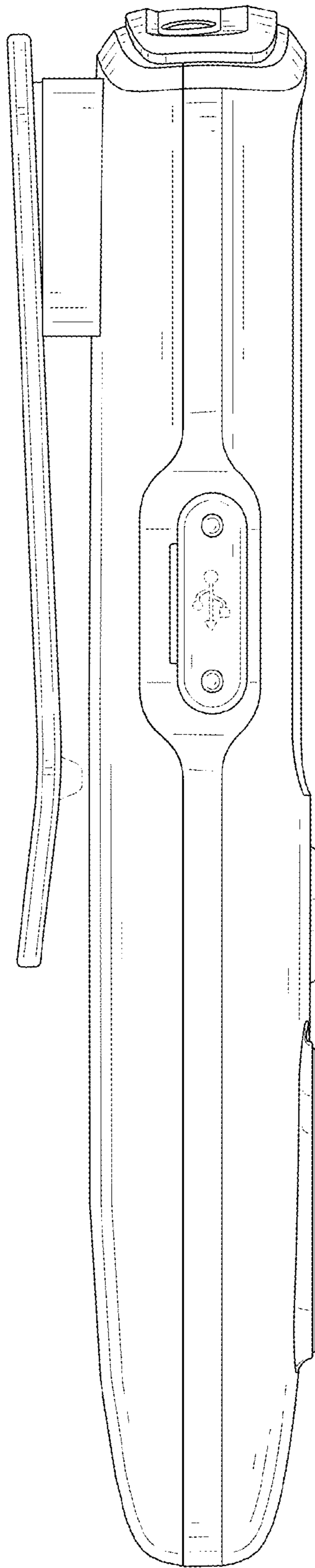


FIG. 13

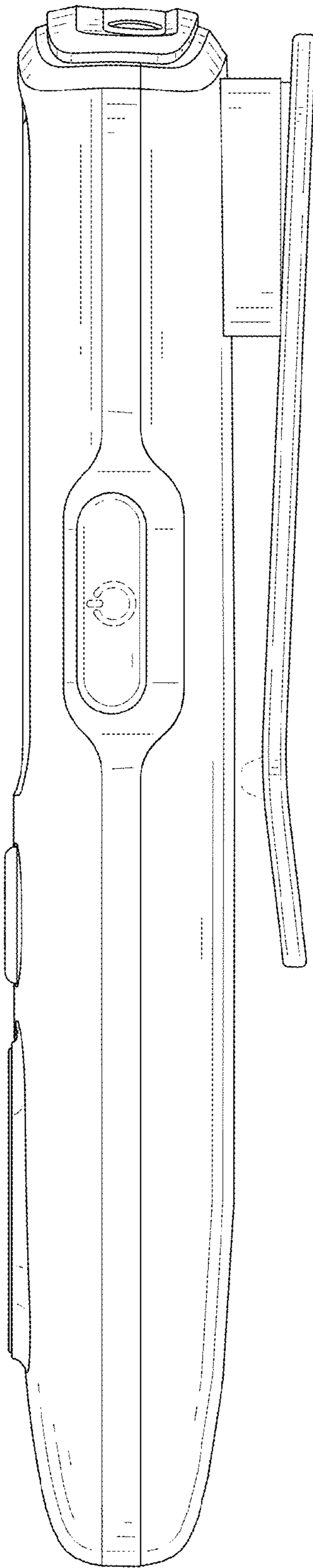


FIG. 14

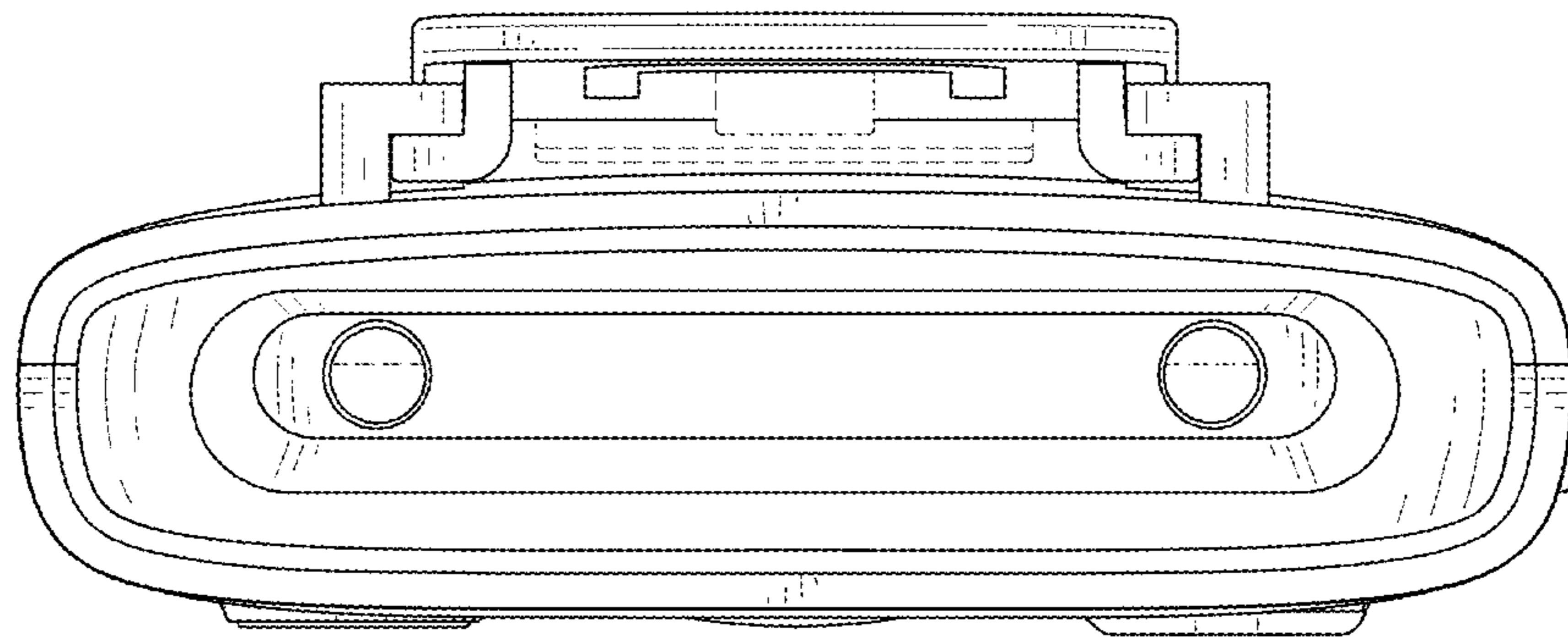


FIG. 15

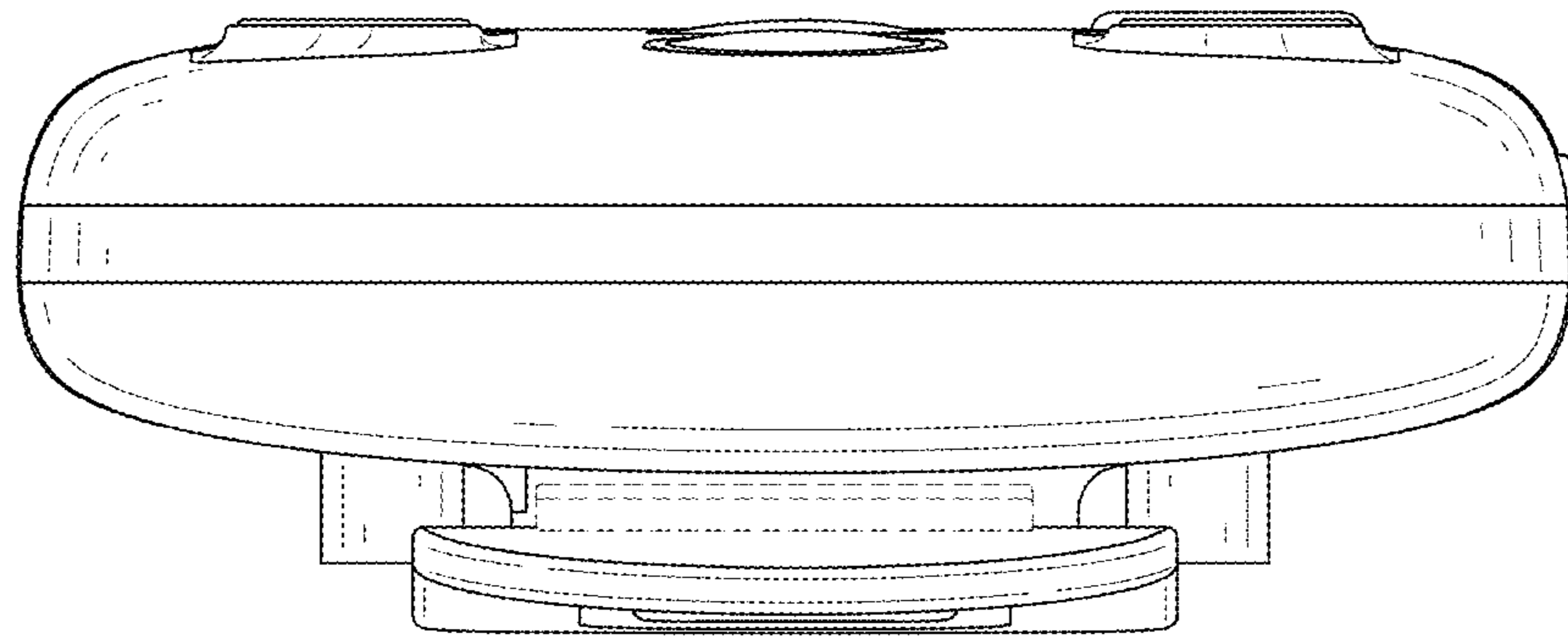


FIG. 16