



US00D879982S

(12) **United States Design Patent** (10) **Patent No.:** **US D879,982 S**
Bobey et al. (45) **Date of Patent:** **** Mar. 31, 2020**

(54) **REAR PORTION OF A PERCUSSIVE HIGH FREQUENCY CHEST WALL OSCILLATION SYSTEM**

(71) Applicant: **HILL-ROM SERVICES PTE. LTD.**, Singapore (SG)

(72) Inventors: **John A. Bobey**, Daniel Island, SC (US); **Harold M. Cabral**, Singapore (SG); **Deny D. Barilea**, Singapore (SG); **Suresha Venkataraya**, Singapore (SG); **Wei T. Tan**, Singapore (SG); **Clementine Pirio**, Nantes (FR); **Dirk Tjepkema**, Enschede (NL); **Sytze A. Spijksma**, Haaksbergen (NL); **Petrus J. van den Oever**, Rosmalen (NL)

(73) Assignee: **Hill-Rom Services PTE. LTD.**, Singapore (SG)

(**) Term: **15 Years**

(21) Appl. No.: **29/679,143**

(22) Filed: **Feb. 1, 2019**

Related U.S. Application Data

(62) Division of application No. 29/594,771, filed on Feb. 22, 2017, now Pat. No. Des. 852,969.

(51) **LOC (12) Cl.** **28-03**

(52) **U.S. Cl.**
USPC **D24/200**

(58) **Field of Classification Search**
USPC D24/200, 215, 195, 198, 164, 107;
D21/378; D11/131, 133, 56
CPC A61H 9/00; A61H 9/005; A61H 9/0071;
A61H 9/0007; A61H 7/004; A61H 23/00;
A61H 23/006; A61H 23/02; A61H
23/0218; A61H 23/04; A61H 2023/045;
A61H 2201/165; A61H 2201/1652; A61H
2201/1409; A61H 2205/08; A61H
2205/084

See application file for complete search history.

(56) **References Cited**

U.S. PATENT DOCUMENTS

2,869,537 A 1/1959 Chu
3,053,250 A 9/1962 Stubbs
(Continued)

OTHER PUBLICATIONS

Hodsden, Suzanne, "Hill-Rom Unveils Mobile, Connected Airway Clearance System for Patients on the Move" May 2, 2017, [online], [site visited Jun. 14, 2018]. Retrieved from Internet: <URL: https://www.meddeviceonline.com/doc/hill-rom-unveils-mobile-connected-airway-clearance-system-for-patients-on-the-move-0001>.

(Continued)

Primary Examiner — Wan Laymon

(74) *Attorney, Agent, or Firm* — Barnes & Thornburg LLP

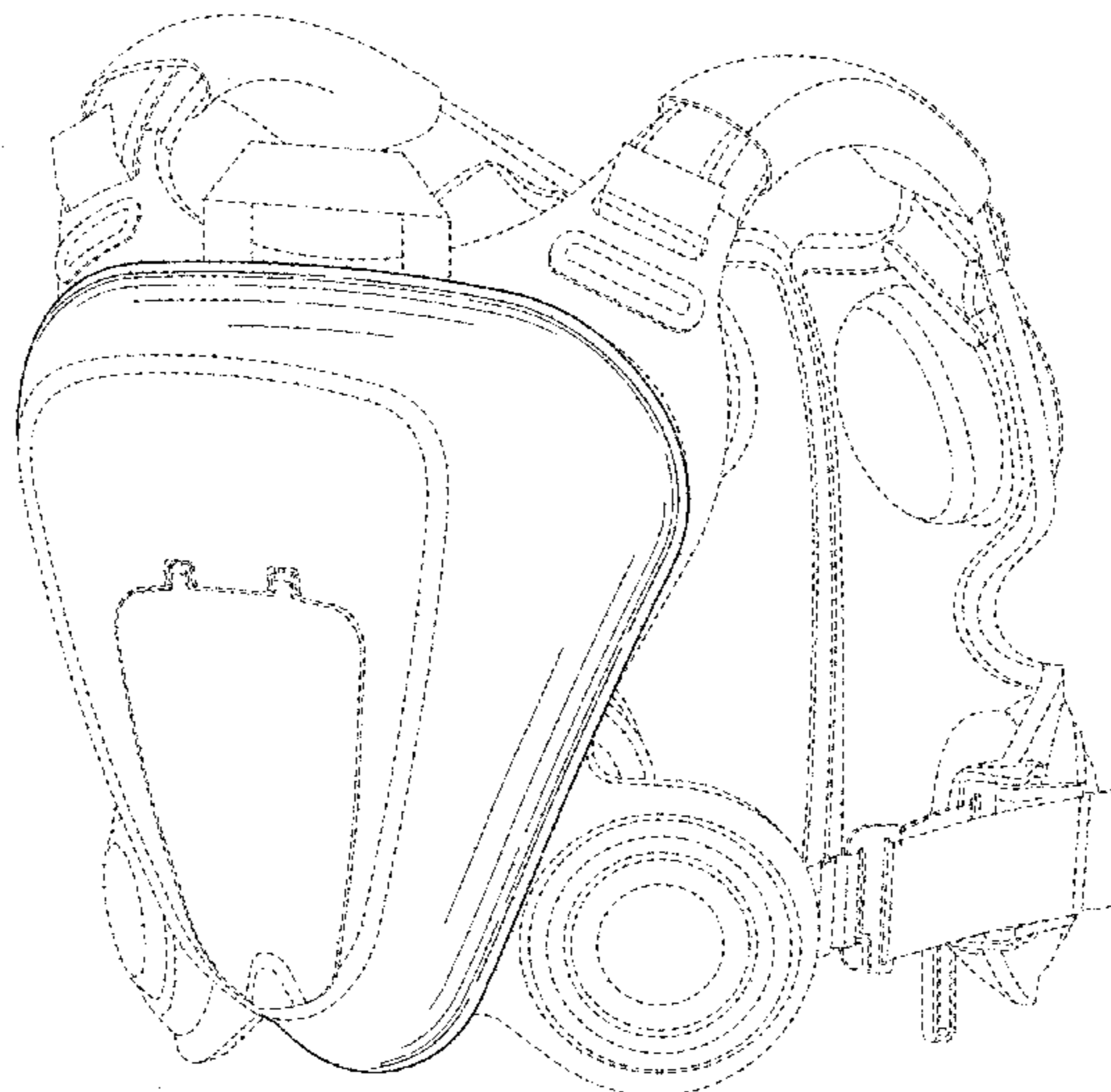
(57) **CLAIM**

The ornamental design for a rear portion of a percussive high frequency chest wall oscillation system, as shown and described.

DESCRIPTION

FIG. 1 is a front perspective view of a rear portion of a percussive high frequency chest wall oscillation system in accordance with the present design;
FIG. 2 is a front elevation view thereof;
FIG. 3 is a rear elevation view thereof;
FIG. 4 is a right side elevation view thereof;
FIG. 5 is left side elevation view thereof;
FIG. 6 is a top plan view thereof; and,
FIG. 7 is a bottom plan view thereof.
The broken lines showing the remainder of the portions of a percussive high frequency chest wall oscillation system are directed to environment. None of the broken lines form a part of the claimed design.

1 Claim, 7 Drawing Sheets



(56)

References Cited

U.S. PATENT DOCUMENTS

5,235,967 A 8/1993 Krbisi et al.
 D456,591 S 5/2002 Hansen
 D461,897 S 8/2002 Hansen et al.
 D469,876 S 2/2003 Hansen et al.
 D478,989 S 8/2003 Hansen et al.
 D495,804 S * 9/2004 Nan D24/215
 6,958,047 B2 * 10/2005 DeVlieger A61H 23/0263
 601/70
 7,115,104 B2 10/2006 Van Brunt et al.
 7,931,607 B2 4/2011 Biondo et al.
 D639,954 S 6/2011 Helgeson et al.
 8,460,223 B2 6/2013 Huster et al.
 D704,849 S 5/2014 Hunter
 9,237,982 B2 1/2016 Van Brunt
 9,549,869 B2 1/2017 DeVlieger et al.
 9,968,511 B2 5/2018 Huster et al.
 2004/0133133 A1 7/2004 Dreimann et al.
 2006/0005306 A1 1/2006 Call et al.

2008/0108914 A1 5/2008 Brouqueyre et al.
 2008/0188834 A1 * 8/2008 Balducci A61H 9/005
 604/540
 2009/0192421 A1 7/2009 Huster et al.
 2011/0087143 A1 4/2011 Bobey et al.
 2012/0291798 A1 11/2012 Park et al.
 2014/0005579 A1 1/2014 Drlik et al.
 2014/0276271 A1 9/2014 Stryker et al.
 2016/0095790 A1 4/2016 Shockley, Jr. et al.
 2018/0049939 A1 2/2018 Bobey
 2019/0105225 A1 * 4/2019 Brenner A61H 9/005

OTHER PUBLICATIONS

Hill-Rom | Respiratory Care | Monarch™ Airway Clearance System 3D Animation Video, published on Jun. 26, 2017, [Online], [site visited Jun. 14, 2018]. Retrieved from Internet: <URL: https://www.youtube.com/results?search_query=monarch+airway+clearance+system>.

* cited by examiner

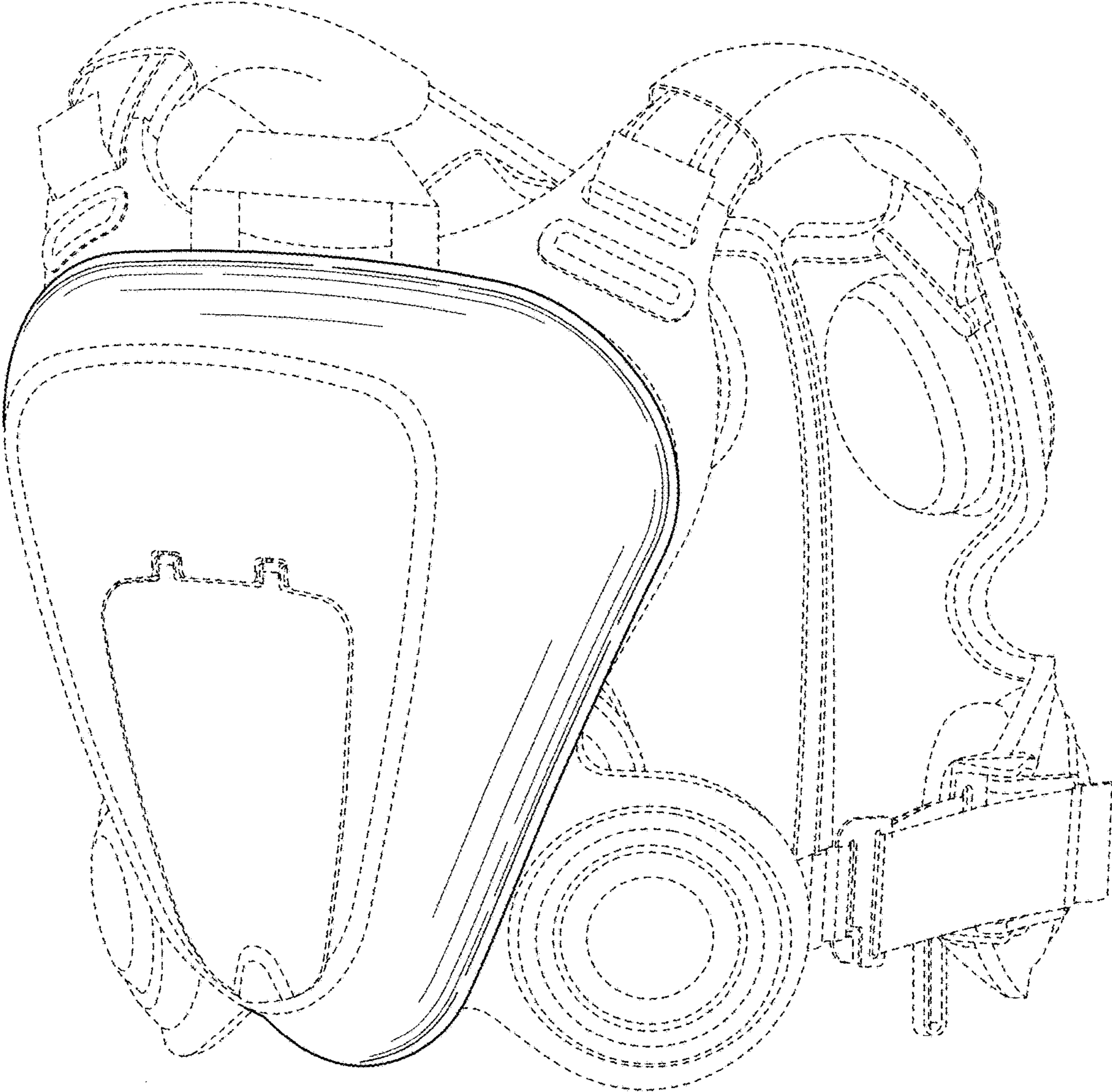


FIG. 1

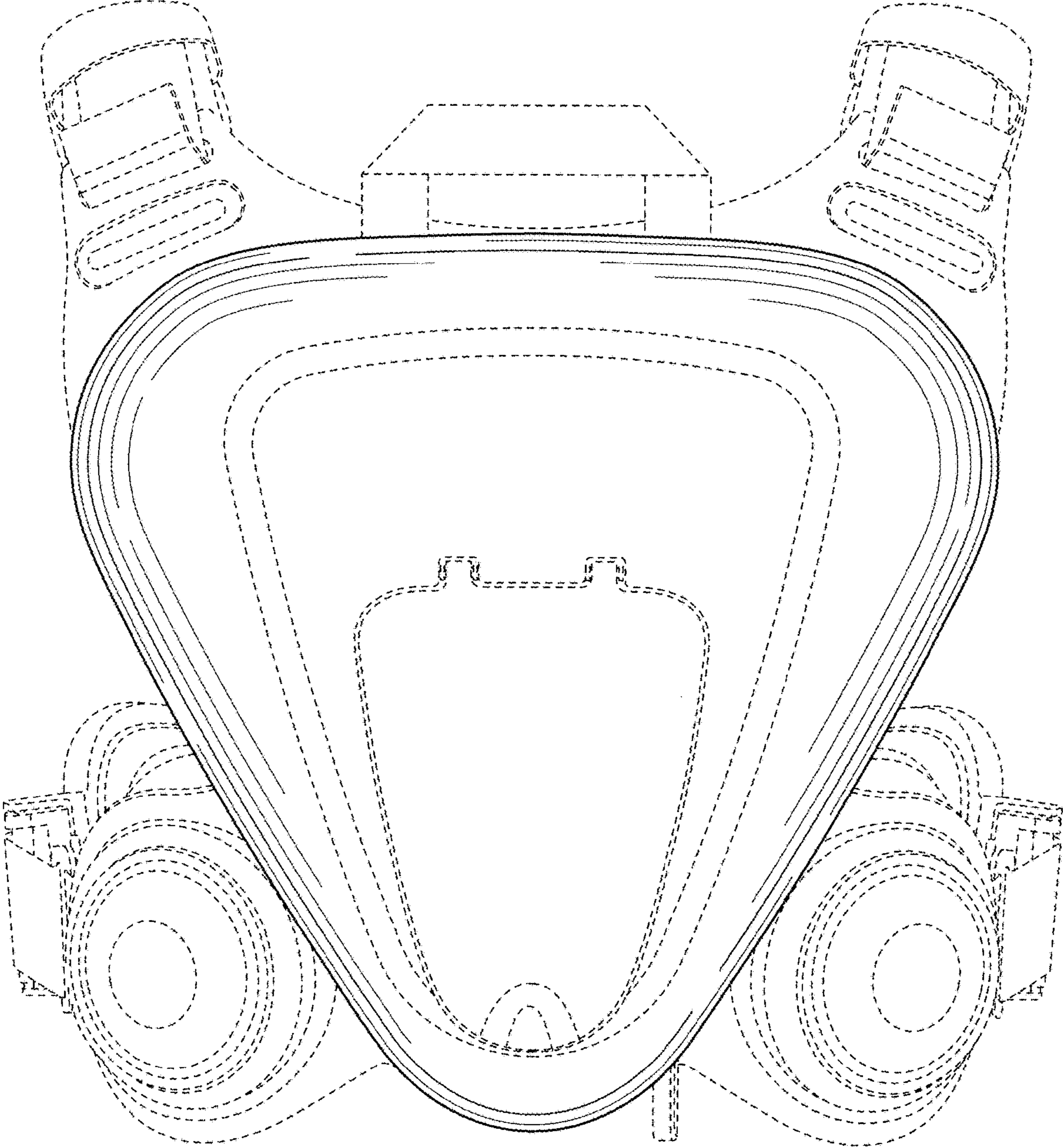


FIG. 2

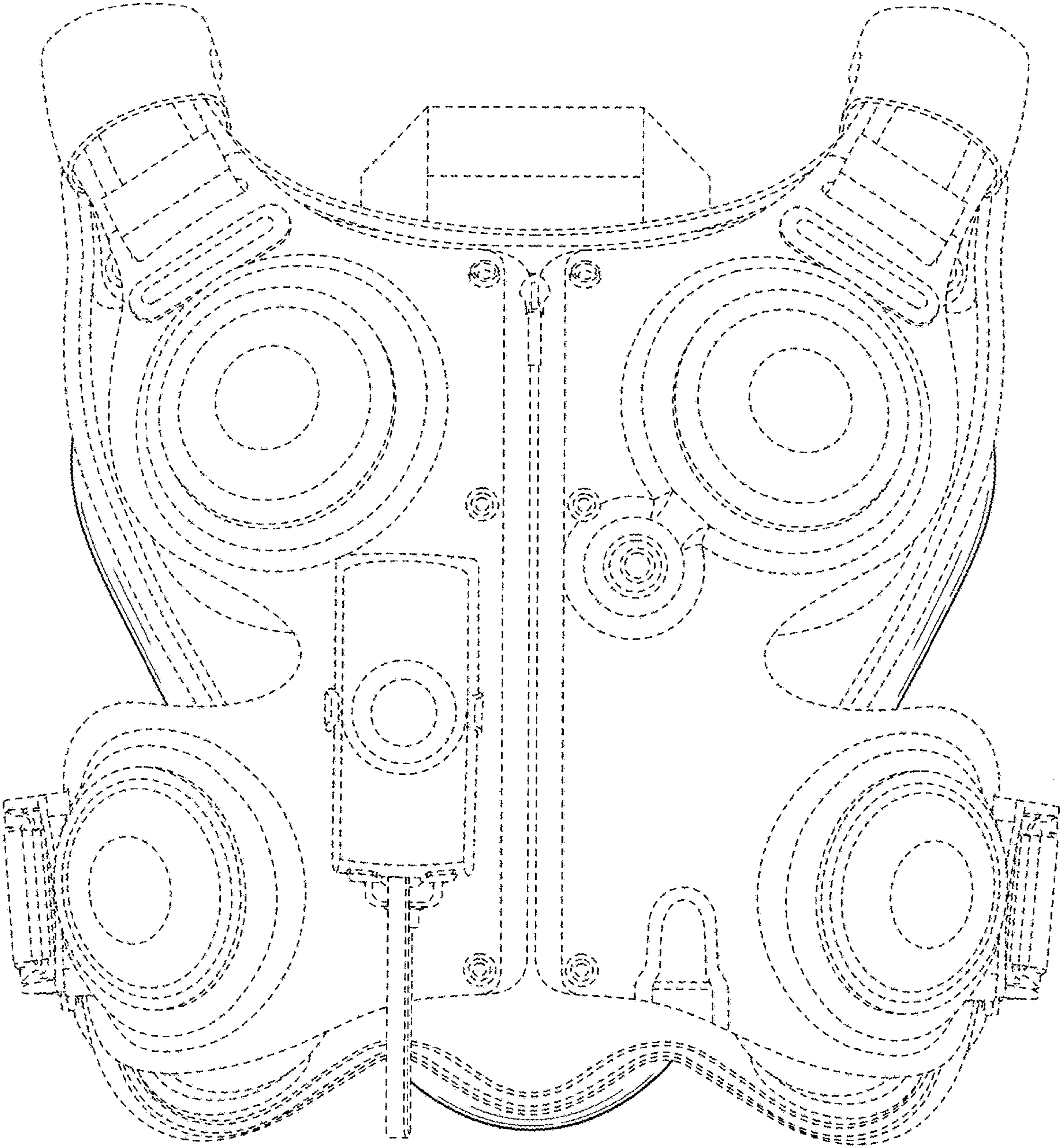


FIG. 3

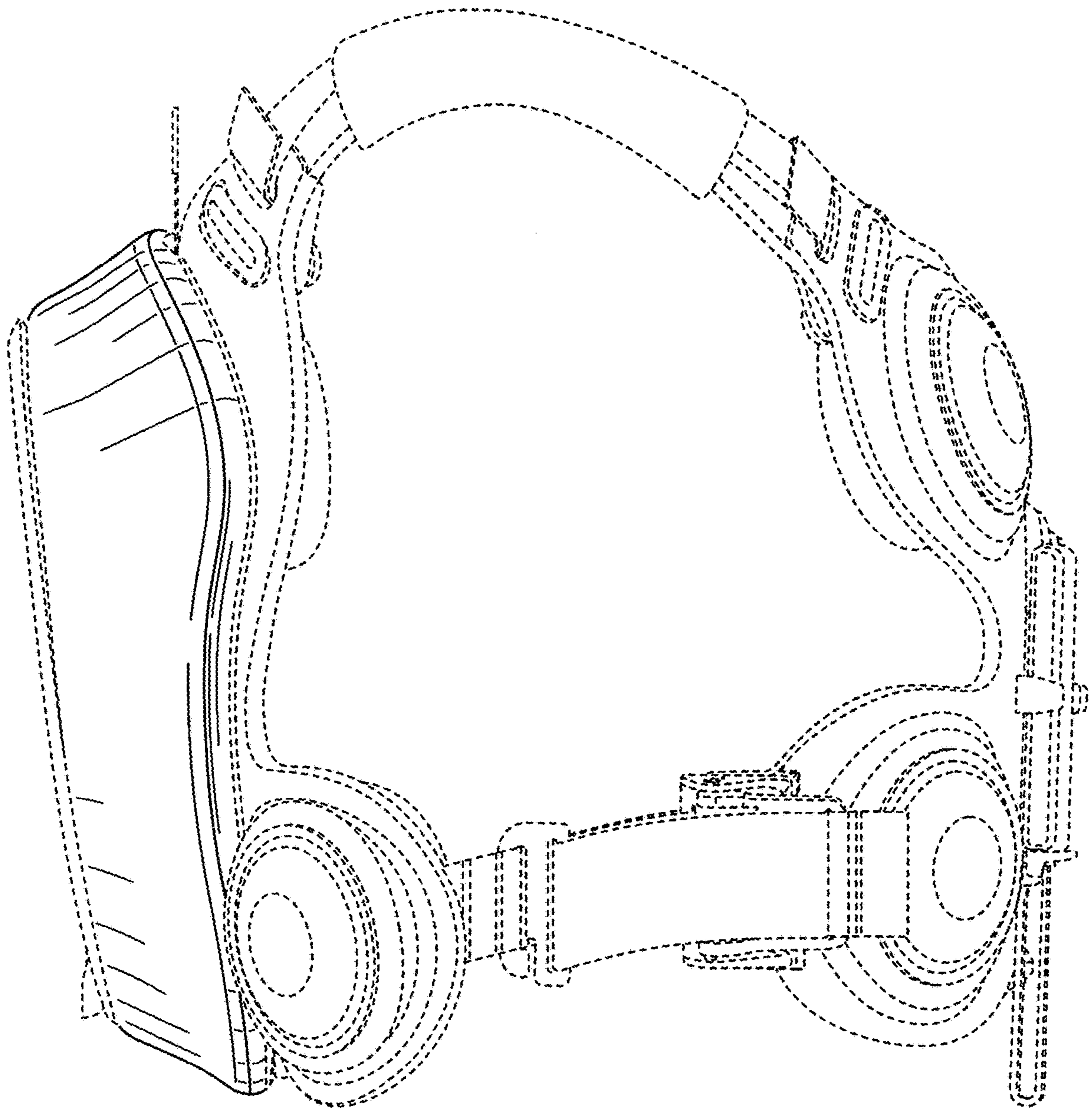


FIG. 4

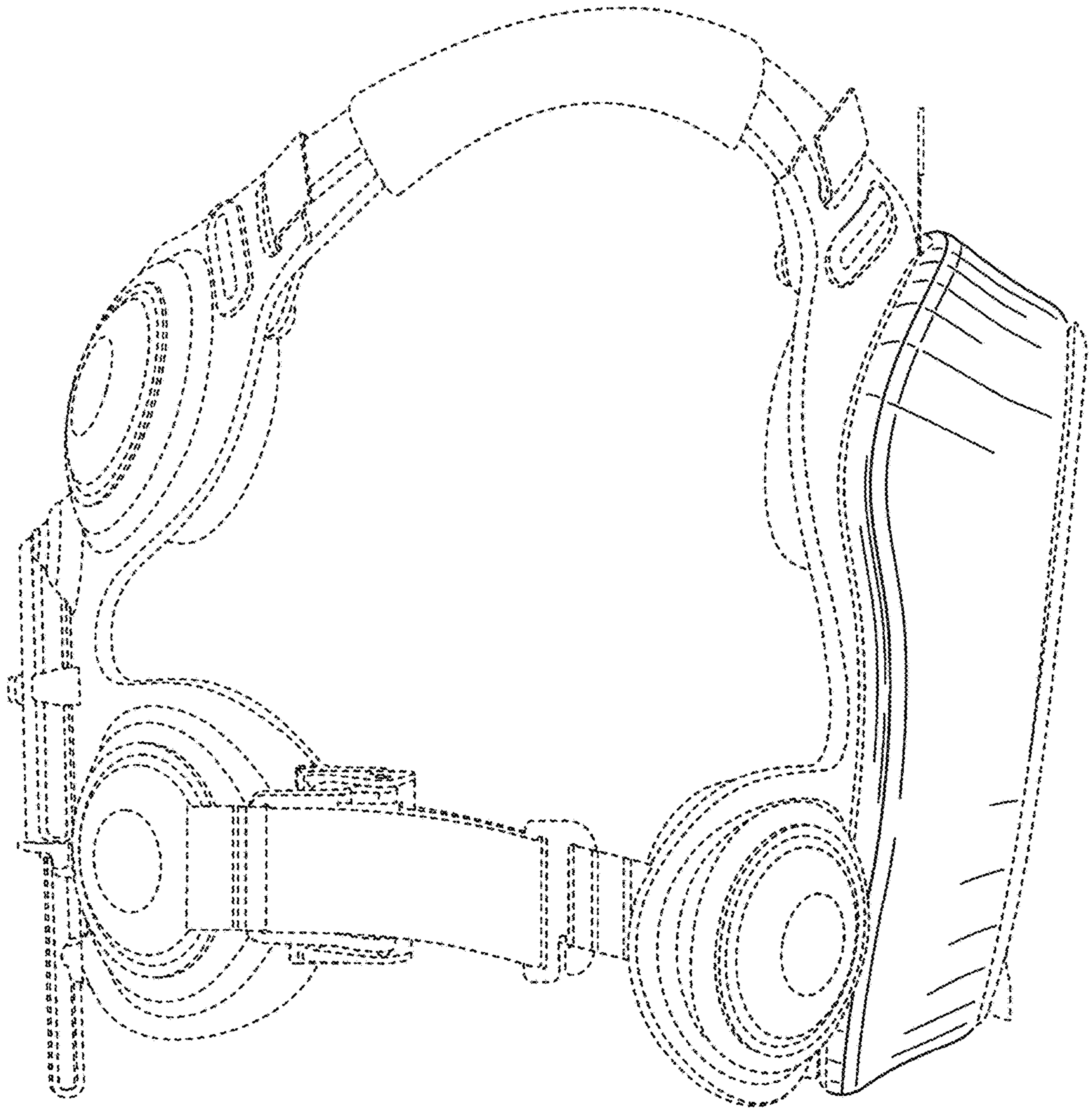


FIG. 5

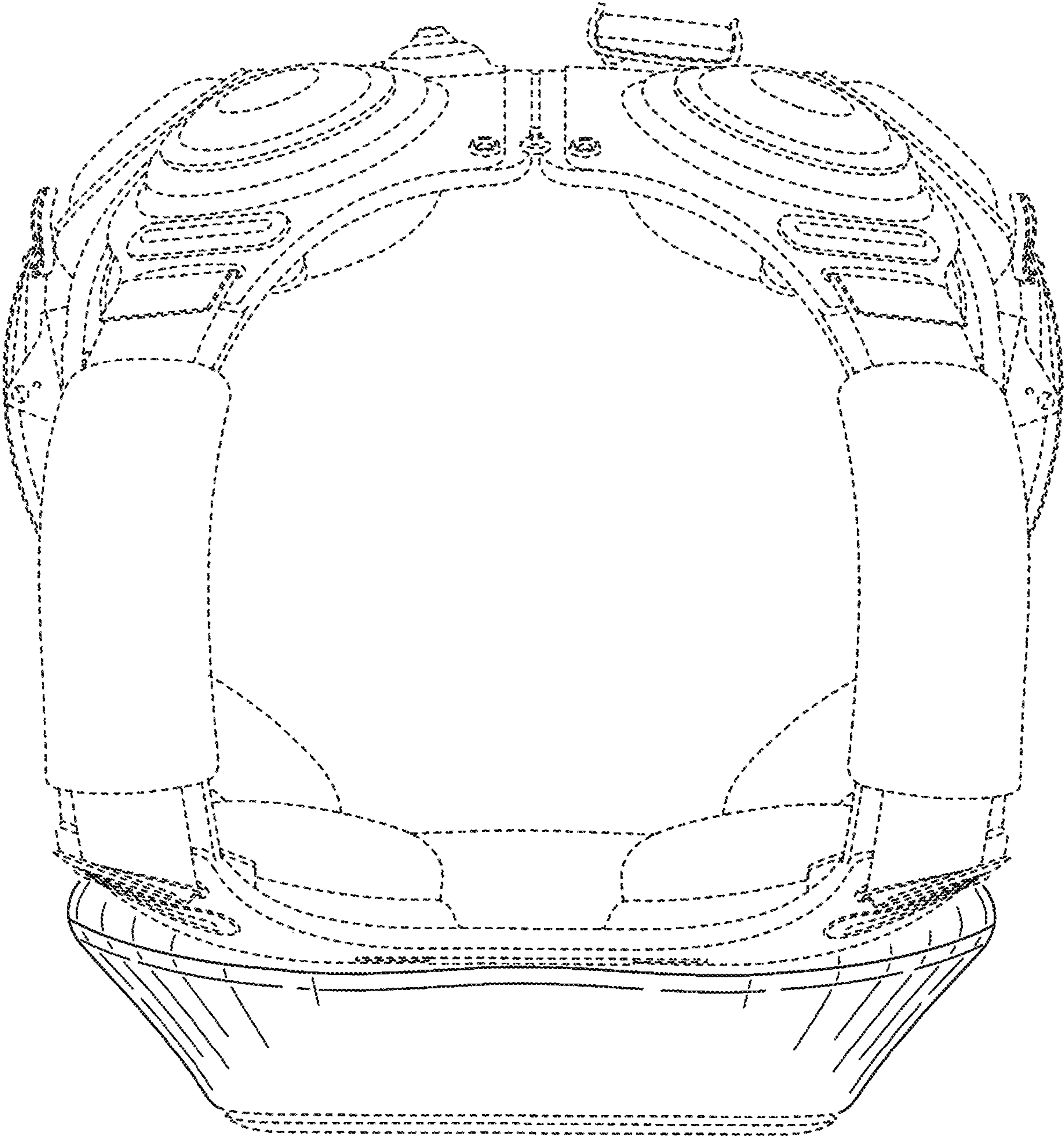


FIG. 6

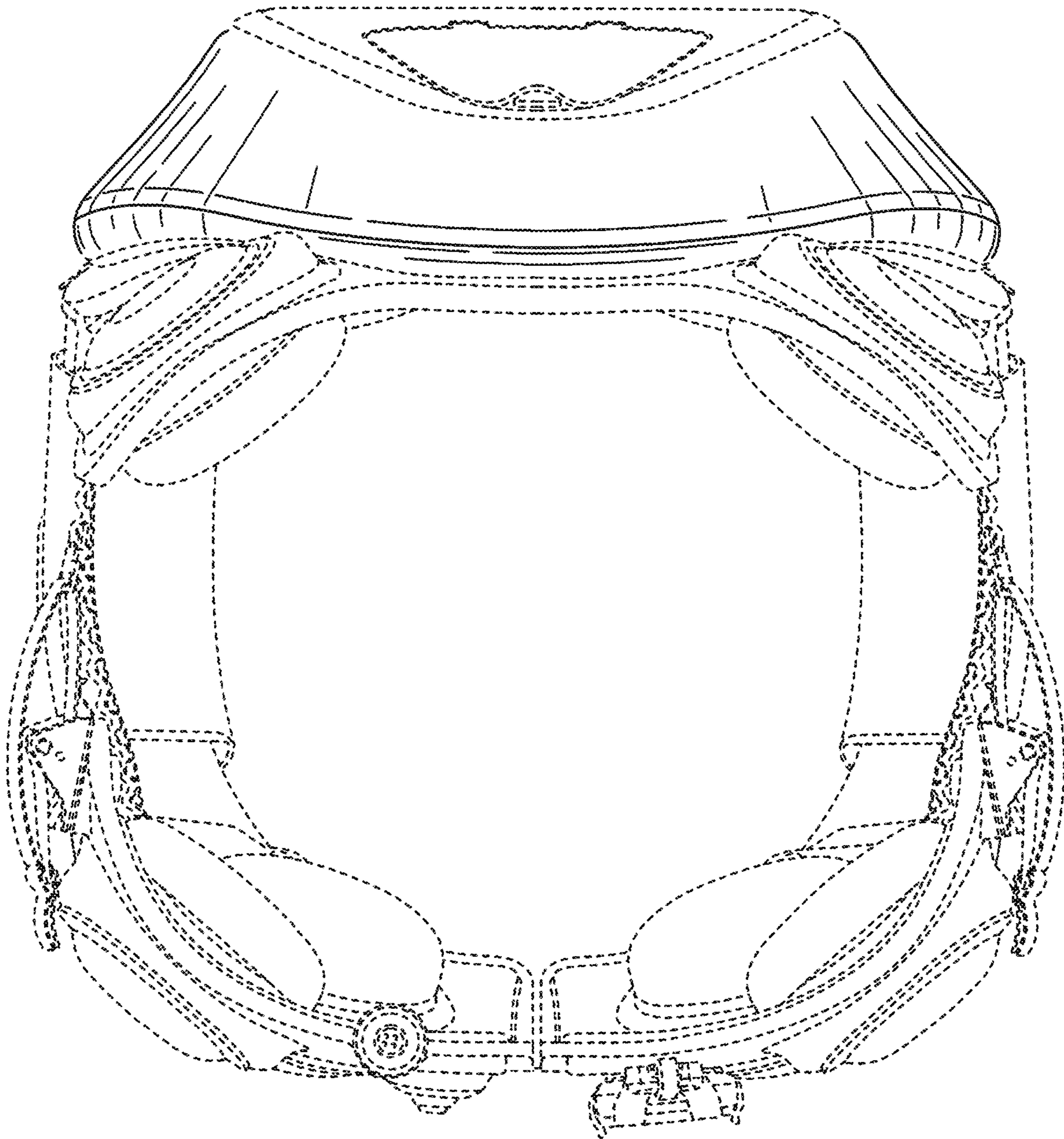


FIG. 7