



US00D879980S

(12) **United States Design Patent**  
**Johnston**

(10) **Patent No.:** **US D879,980 S**  
(45) **Date of Patent:** **\*\* Mar. 31, 2020**

(54) **TOOL FOR SOFT TISSUE MOBILIZATION**

(71) Applicant: **Ryan Johnston**, Hot Springs, AR (US)

(72) Inventor: **Ryan Johnston**, Hot Springs, AR (US)

(73) Assignee: **Ryan Johnston**, Hot Springs, AR (US)

(\*\*) Term: **15 Years**

(21) Appl. No.: **29/656,143**

(22) Filed: **Jul. 10, 2018**

(51) **LOC (12) Cl.** ..... **28-03**

(52) **U.S. Cl.**  
USPC ..... **D24/200**

(58) **Field of Classification Search**  
USPC ..... D24/200, 211, 214–215, 188; 601/19,  
601/53, 63, 68, 80, 134–138

(Continued)

(56) **References Cited**

**U.S. PATENT DOCUMENTS**

1,746,877 A 2/1930 Tompkins

1,769,872 A 7/1930 Weeks

(Continued)

**FOREIGN PATENT DOCUMENTS**

DE 2303544 A1 8/1974

WO 2010093147 A2 8/2010

WO 2018089466 A1 5/2018

*Primary Examiner* — Wan Laymon

(74) *Attorney, Agent, or Firm* — Stinson LLP

(57) **CLAIM**

The ornamental designs for a tool for soft tissue mobilization, as shown and described.

**DESCRIPTION**

FIG. 1 is a perspective view of a tool for soft tissue mobilization. The tool includes a middle segment with a

generally convex portion and a generally concave portion opposite the convex portion, a first leg extending rightward from the middle segment, and a second leg extending leftward from the middle segment. A front surface of the tool has a plurality of depressions extending at an elevation that is different from the remainder of the front surface.

FIG. 2 is a front elevation view of the tool for soft tissue mobilization shown in FIG. 1.

FIG. 3 is a rear elevation view of the tool for soft tissue mobilization shown in FIG. 1. The rear elevation view is a mirror image of the front elevation view.

FIG. 4 is a right elevation view of the tool for soft tissue mobilization shown in FIG. 1.

FIG. 5 is a left elevation view of the tool for soft tissue mobilization shown in FIG. 1. The left elevation view is a mirror image of the right elevation view.

FIG. 6 is a top plan view of the tool for soft tissue mobilization shown in FIG. 1.

FIG. 7 is a bottom plan view of the tool for soft tissue mobilization shown in FIG. 1.

FIG. 8 is a perspective view of another tool for soft tissue mobilization. The tool includes a middle segment with a generally convex portion and a generally concave portion opposite the convex portion, a first leg extending rightward from the middle segment, and a second leg extending leftward from the middle segment. A front surface of the tool has one or more depressions extending at an elevation that is different from the remainder of the front surface.

FIG. 9 is a front elevation view of the tool for soft tissue mobilization shown in FIG. 8.

FIG. 10 is a rear elevation view of the tool for soft tissue mobilization shown in FIG. 8.

FIG. 11 is a right elevation view of the tool for soft tissue mobilization shown in FIG. 8.

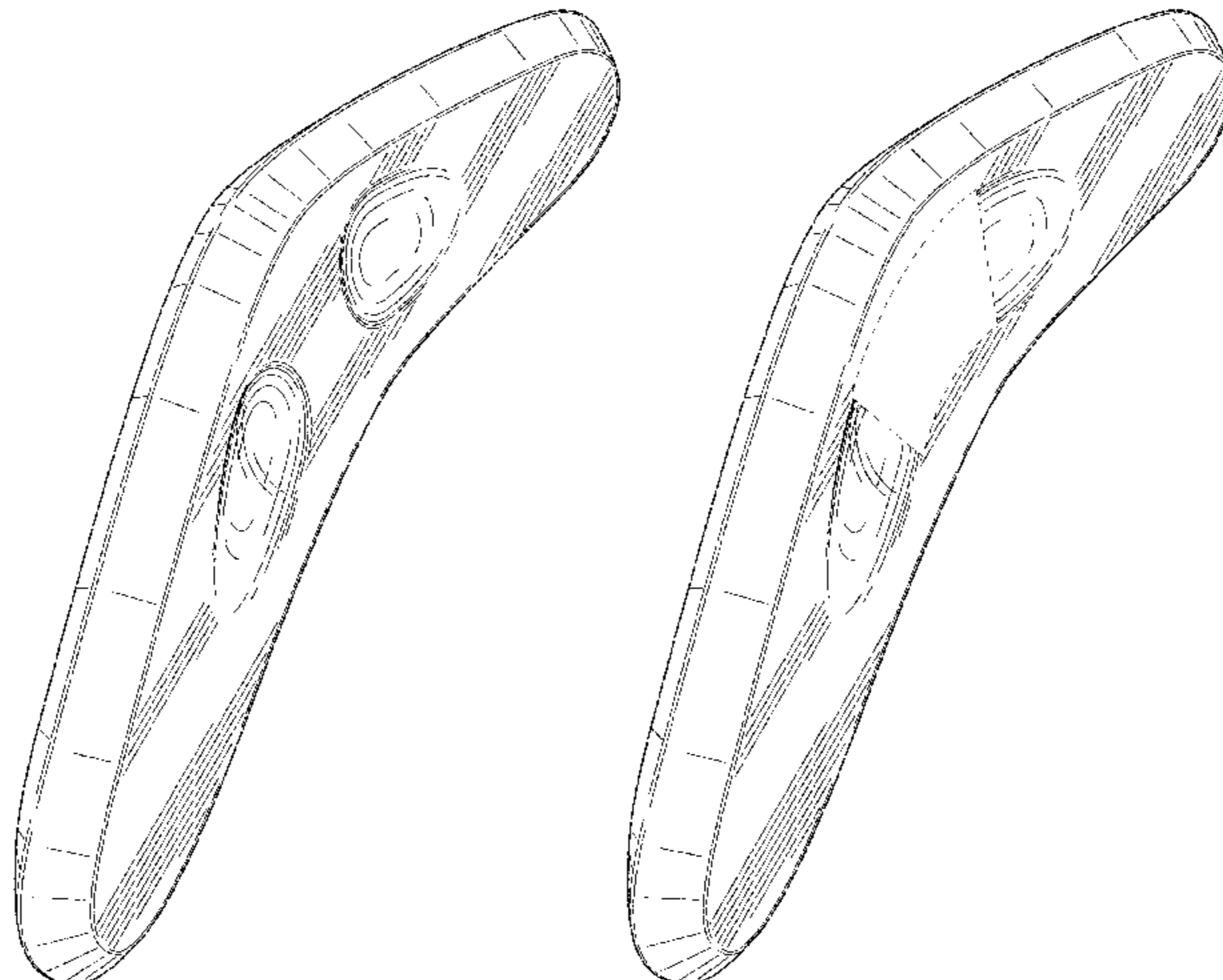
FIG. 12 is a left elevation view of the tool for soft tissue mobilization shown in FIG. 8. The left elevation view is a mirror image of the right elevation view.

FIG. 13 is a top plan view of the tool for soft tissue mobilization shown in FIG. 8; and,

FIG. 14 is a bottom plan view of the tool for soft tissue mobilization shown in FIG. 8.

The drawings are provided with surface shading that shows the character and/or contour of all surfaces of any three-dimensional aspects of the design. Moreover, the broken

(Continued)



lines present in the drawings are included for the purpose of illustrating portions of the article that form no part of the claimed design.

**1 Claim, 12 Drawing Sheets**

(58) **Field of Classification Search**

CPC ..... A61H 7/00; A61H 7/001; A61H 7/002;  
A61H 7/003; A61H 7/005; A61H 7/008;  
A61H 15/0085; A61H 15/0092; A61H  
2201/0153

See application file for complete search history.

(56) **References Cited**

U.S. PATENT DOCUMENTS

D237,313 S 10/1975 Harris  
4,590,926 A 5/1986 Courtin  
4,705,030 A 11/1987 Tepperberg et al.  
D338,964 S 8/1993 Tarjoto  
D345,801 S 4/1994 Bosch  
D374,484 S 10/1996 Hayes  
D386,879 S 11/1997 Daniels  
D475,973 S 6/2003 Tinsley  
D484,985 S 1/2004 Takizawa et al.  
D518,576 S 4/2006 Sevier et al.  
7,431,706 B2 10/2008 Louis et al.

D586,469 S 2/2009 Henry  
D624,193 S 9/2010 Katzenberger  
D632,400 S 2/2011 Bludorn  
D645,568 S 9/2011 Walker et al.  
D677,394 S 3/2013 Grust et al.  
D687,957 S 8/2013 Heskier  
D700,351 S \* 2/2014 Kojima ..... D24/215  
D705,940 S 5/2014 Tai  
D712,056 S 8/2014 Deramo  
8,801,642 B1 \* 8/2014 Slominski ..... A61H 7/001  
601/134  
9,023,078 B2 \* 5/2015 Dehors ..... A61H 7/003  
601/135  
RE45,657 E 8/2015 Cho  
D752,238 S 3/2016 Stock  
D752,239 S 3/2016 Stock  
D754,869 S \* 4/2016 Stock ..... D24/214  
D757,281 S 5/2016 Hsieh  
D788,934 S 6/2017 Hirokawa  
D792,601 S 7/2017 Van Den Dries et al.  
9,925,110 B1 \* 3/2018 Lang ..... A61H 7/003  
D825,068 S \* 8/2018 van den Dries ..... D24/200  
D828,924 S \* 9/2018 Maroney ..... D24/200  
D833,636 S \* 11/2018 Lai ..... D24/214  
2002/0068900 A1 \* 6/2002 Barnes ..... A61H 19/00  
604/107  
2008/0027364 A1 1/2008 Moutray  
2012/0158040 A1 6/2012 Dehors  
2014/0213944 A1 7/2014 Kojima  
2014/0213945 A1 7/2014 Kojima  
2018/0185233 A1 \* 7/2018 Lang ..... A61H 7/003

\* cited by examiner

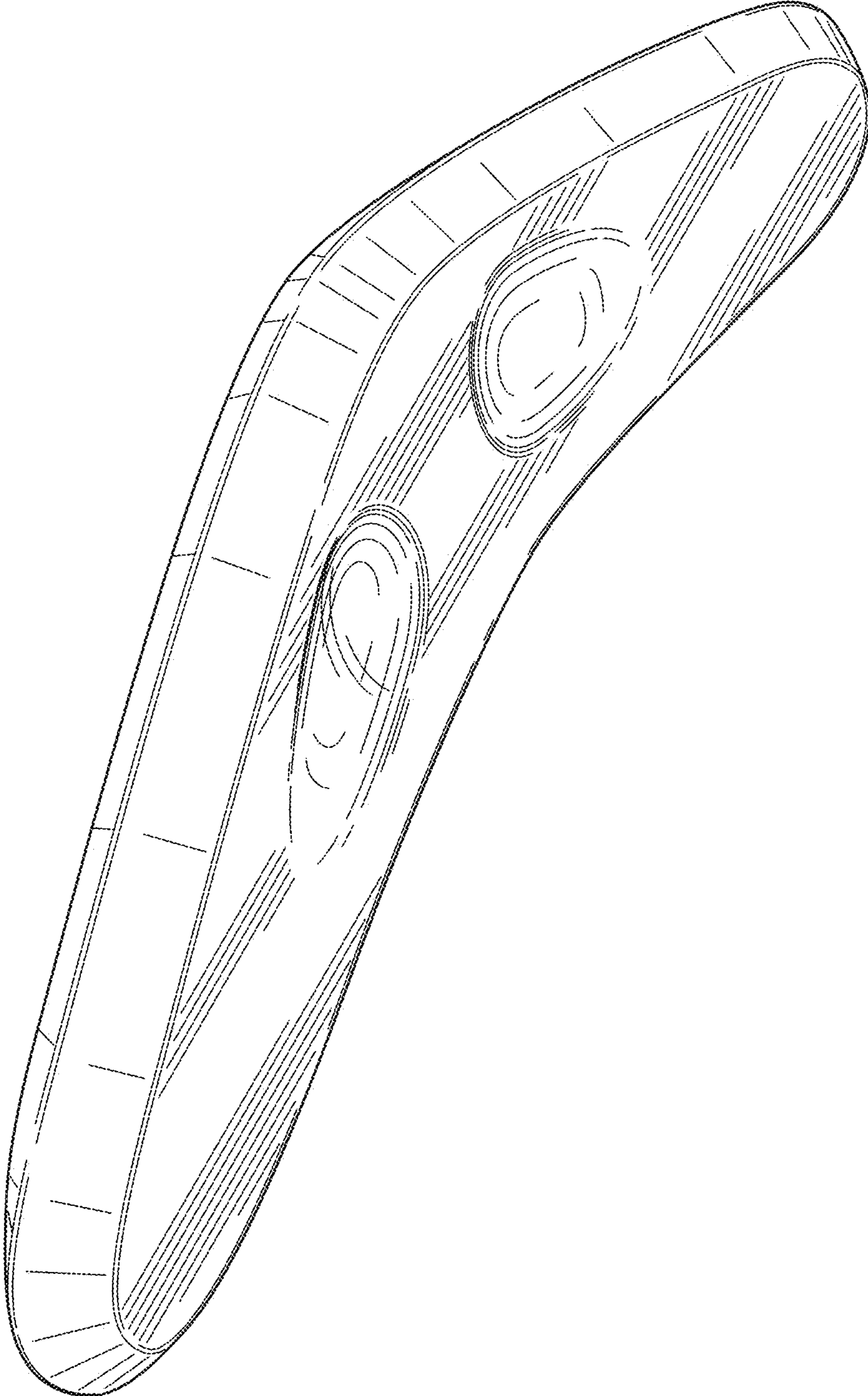


FIG. 1

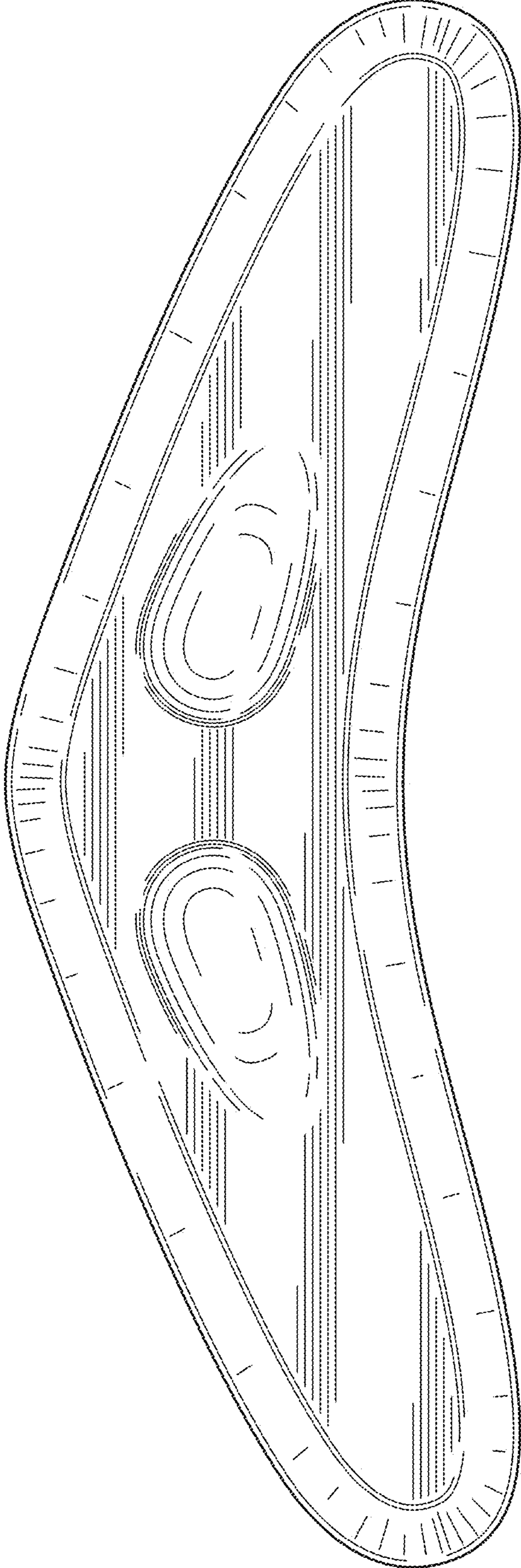


FIG. 2

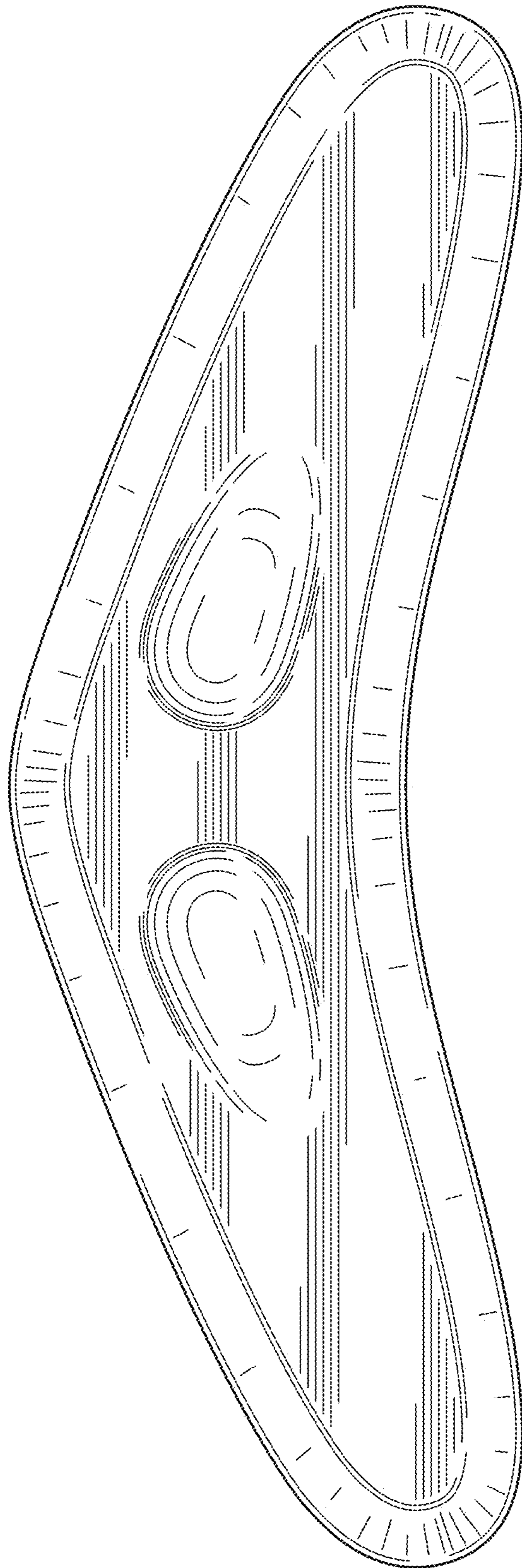


FIG. 3

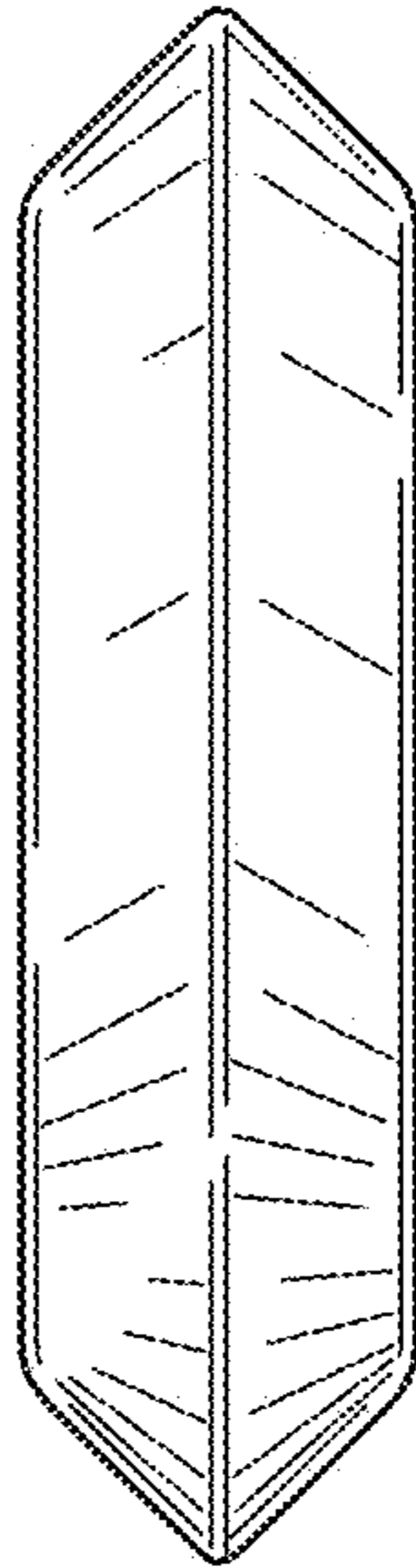


FIG. 4

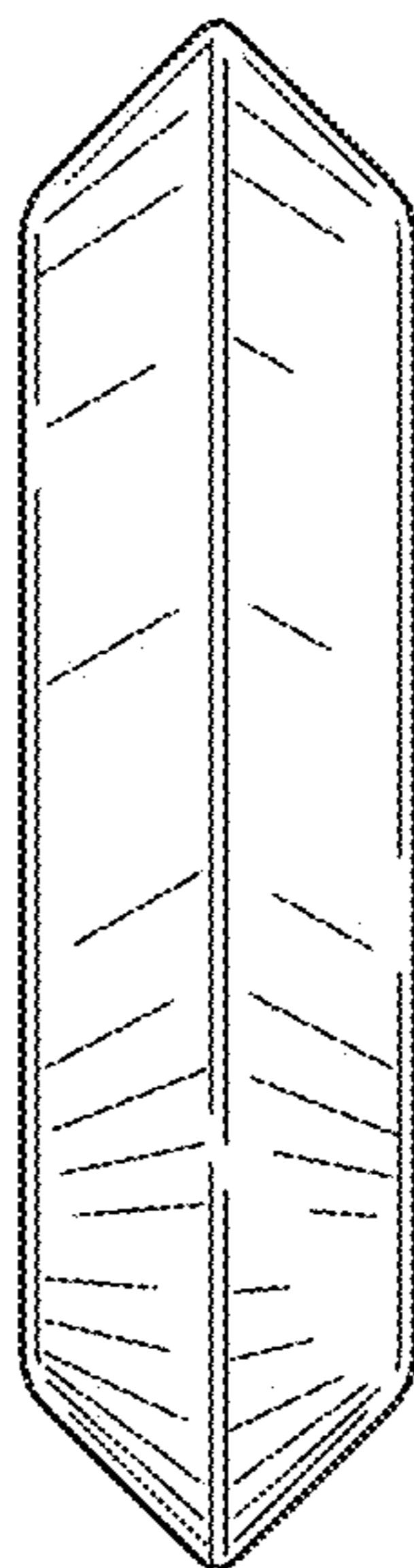


FIG. 5

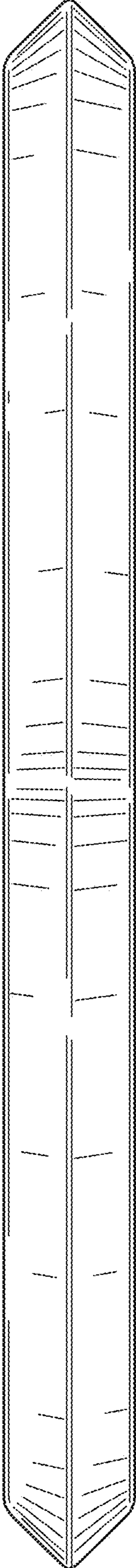


FIG. 6

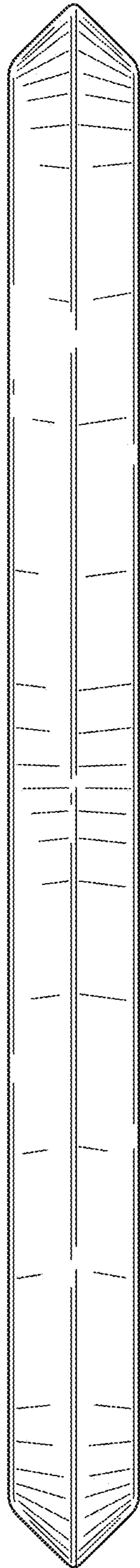


FIG. 7



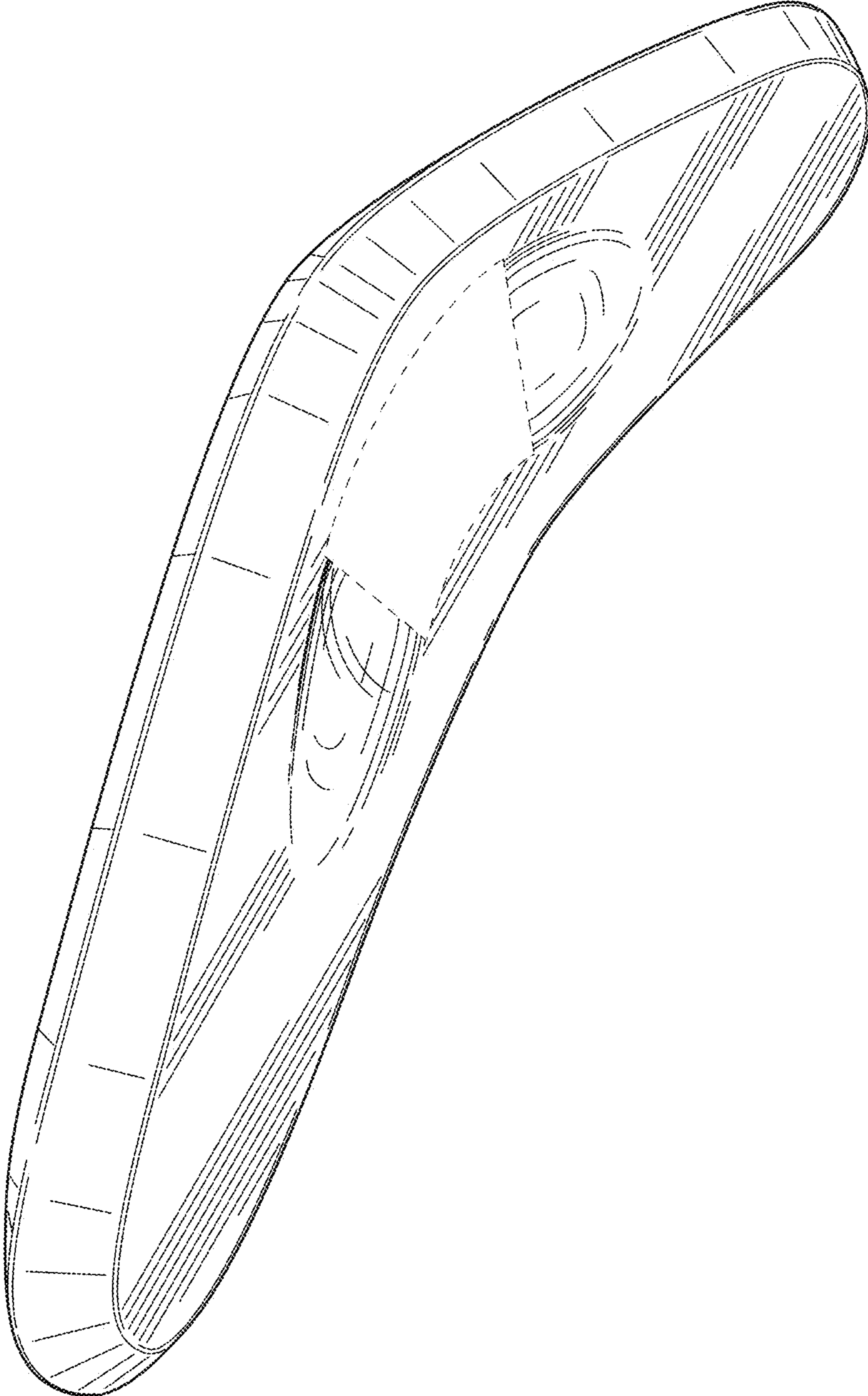


FIG. 8

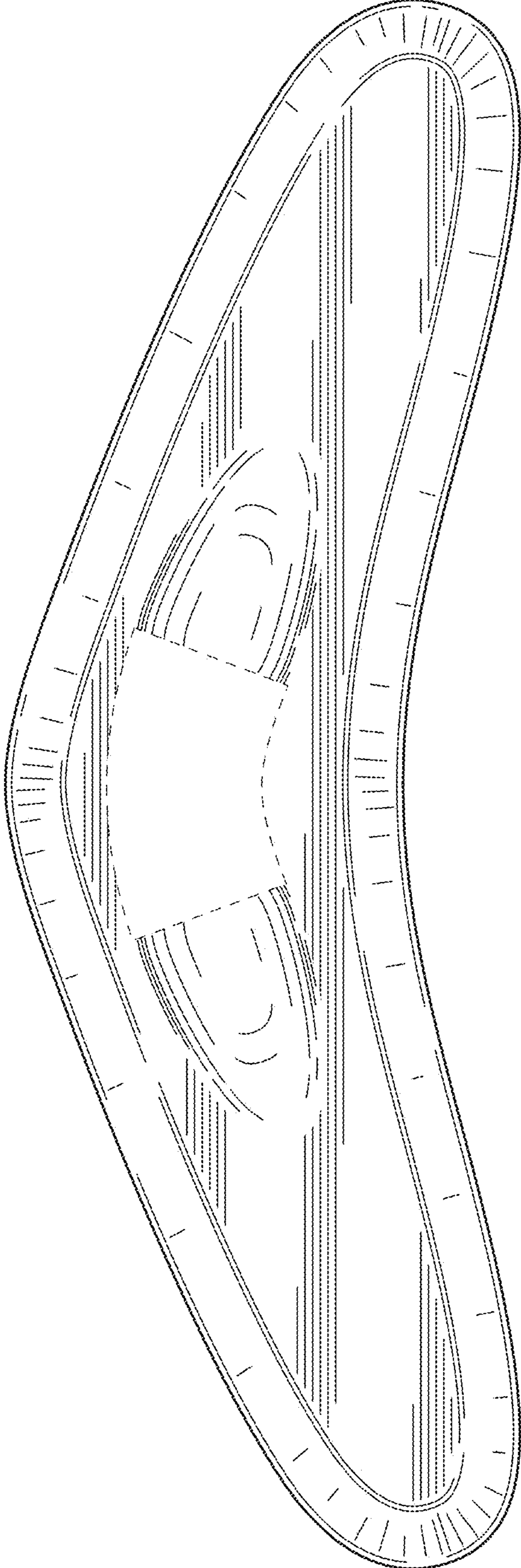


FIG. 9

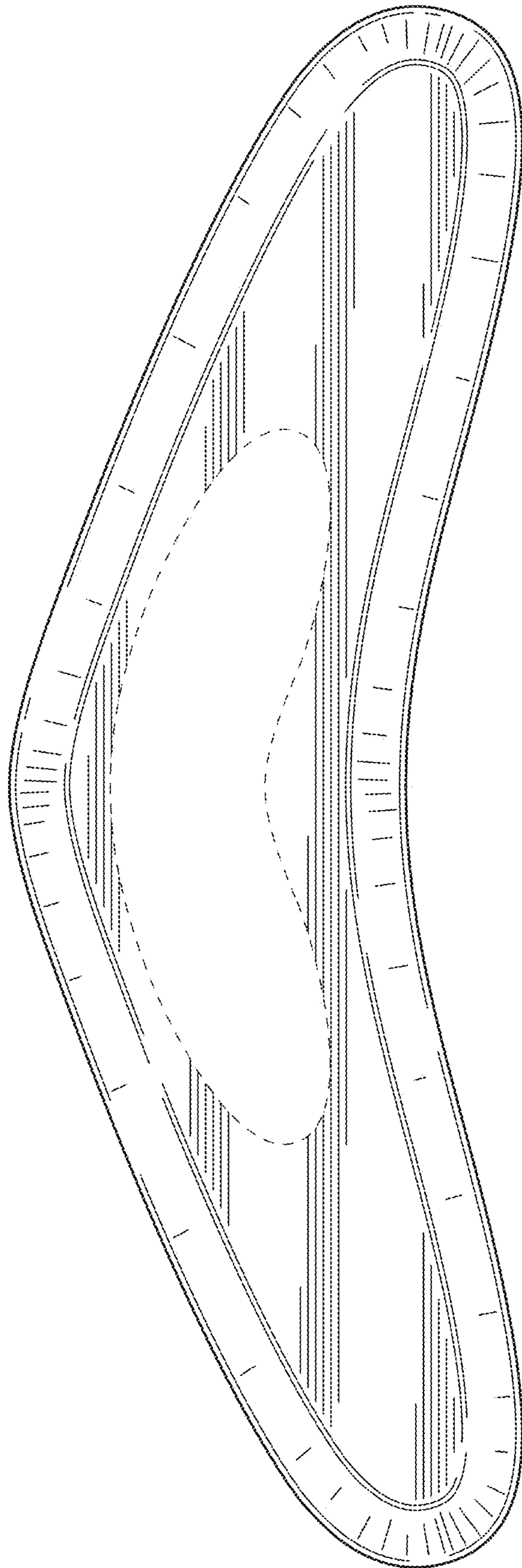


FIG. 10

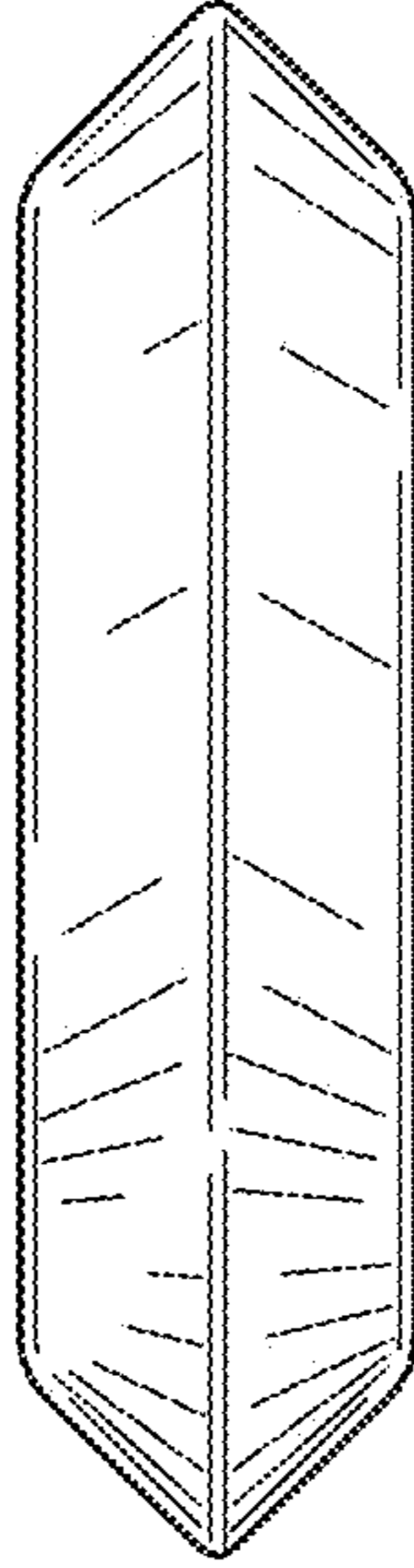


FIG. 11

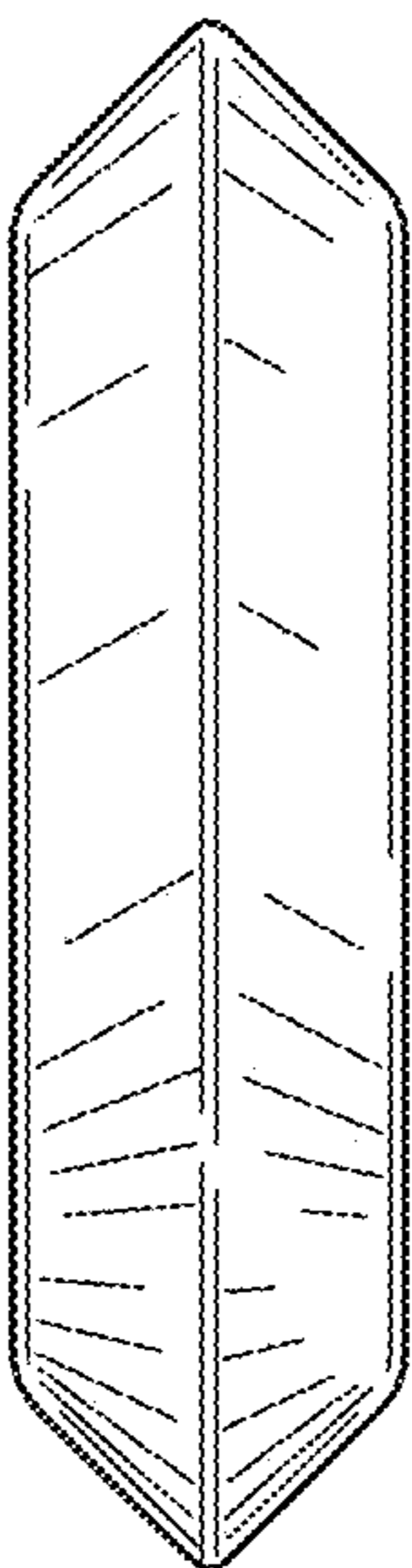


FIG. 12

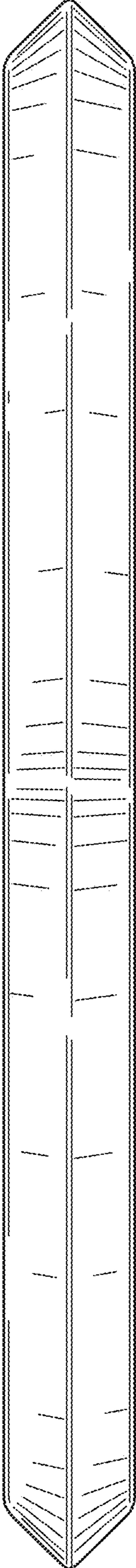


FIG. 13

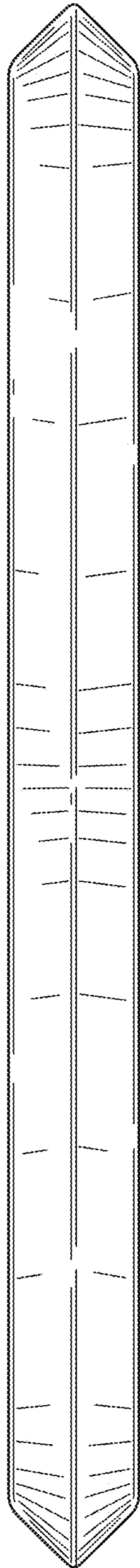


FIG. 14