



US00D879972S

(12) **United States Design Patent** (10) **Patent No.:** **US D879,972 S**  
**Caneppele et al.** (45) **Date of Patent:** **\*\* Mar. 31, 2020**

(54) **ADHESIVE BANDAGE WITH DECORATED PAD**

FOREIGN PATENT DOCUMENTS

(71) Applicant: **Johnson & Johnson Consumer Inc.**, Skillman, NJ (US)

EP 136594 12/1988  
EP 0 300 815 A2 1/1989  
(Continued)

(72) Inventors: **Leonardo Caneppele**, São José dos Campos (BR); **Andre Narcizo**, São José dos Campos (BR); **Paulo Cesar de Godoy Oriani**, Sao Paulo (BR); **Carmin Rizzo**, Port St. Lucie, FL (US); **Andre Luiz Santos**, São José dos Campos (BR)

OTHER PUBLICATIONS

Target. Band-Aid Oh Joy! Adhesive Bandages—20ct. No date specified. <https://www.target.com/p/band-aid-oh-joy-adhesive-bandages-20ct/-/A-17221637> (Year: 0).\*

(Continued)

(73) Assignee: **Johnson & Johnson Consumer Inc.**, Skillman, NJ (US)

Primary Examiner — Darcey E Gottschalk

(\*\*) Term: **15 Years**

(57) **CLAIM**

(21) Appl. No.: **29/643,725**

We claim the ornamental design for an adhesive bandage with decorated pad, as shown and described.

(22) Filed: **Apr. 11, 2018**

(51) **LOC (12) Cl.** ..... **24-04**

(52) **U.S. Cl.**  
USPC ..... **D24/189**

**DESCRIPTION**

(58) **Field of Classification Search**  
USPC ..... D24/112, 124–128, 132, 133, 185–193, D24/199, 200, 206, 209, 210, 212–215; D29/100, 108, 120.1, 121.1, 121.2; D30/146; D5/4, 46, 49, 53, 56, 58–62, D5/99  
CPC . A61M 1/0088; A61F 13/00; A61F 13/00021; A61F 13/066; A61F 13/0206; A61F 13/0203; A61F 13/00025; A61F  
(Continued)

FIG. 1 is a top perspective view of the present invention; FIG. 2 is a top view of the adhesive bandage with decorated pad depicted in FIG. 1; FIG. 3 is a left side view of the adhesive bandage with decorated pad depicted in FIG. 1; FIG. 4 is a bottom view of the adhesive bandage with decorated pad depicted in FIG. 1; FIG. 5 is a right side view of the adhesive bandage with decorated pad depicted in FIG. 1; FIG. 6 is a front side view of the adhesive bandage with decorated pad depicted in FIG. 1; and, FIG. 7 is a back side view of the adhesive bandage with decorated pad depicted in FIG. 1. The ornamental design which is claimed is shown in solid lines in the drawings. The dashed, broken lines in the drawings are shown for the purpose of depicted unclaimed subject matter.

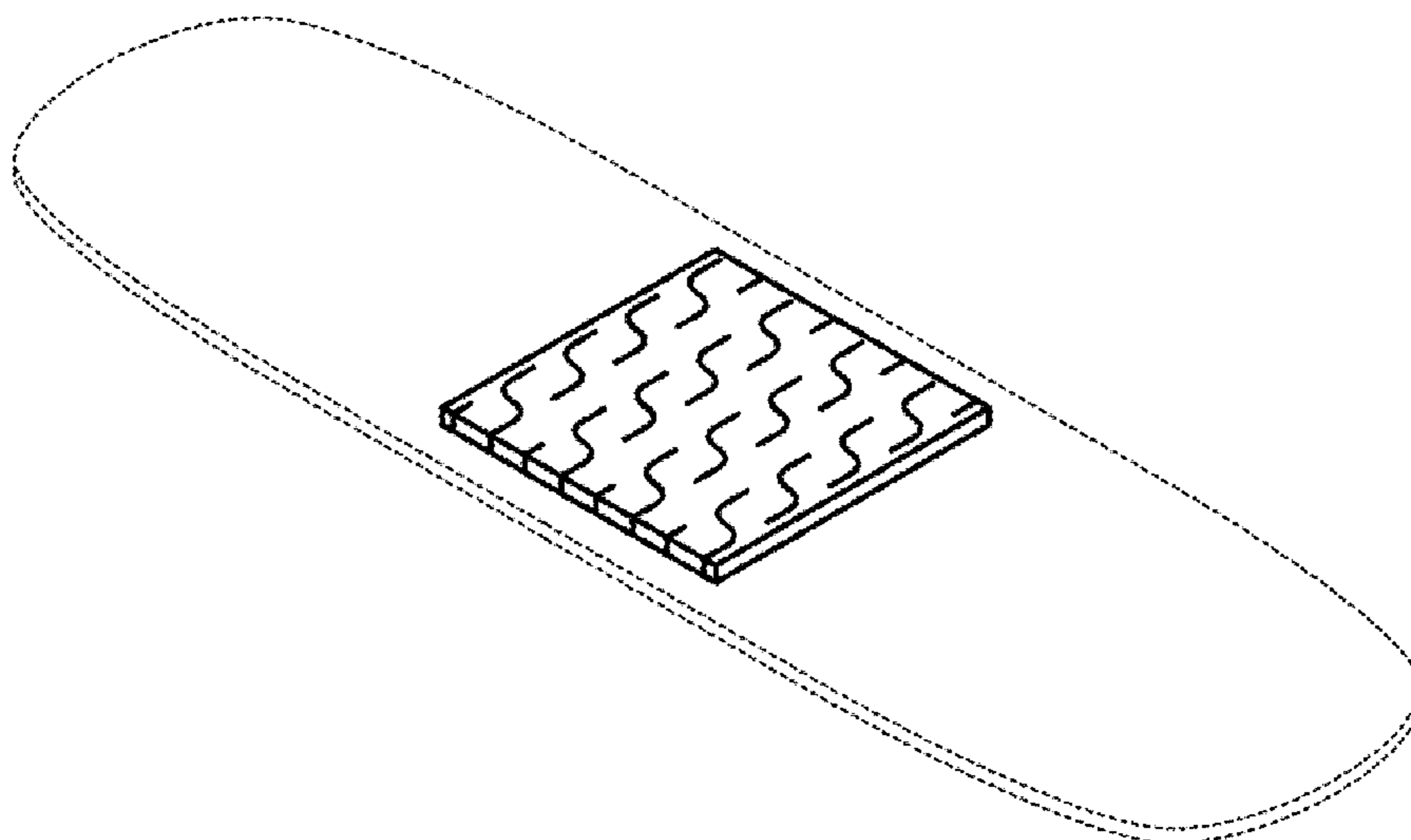
(56) **References Cited**

U.S. PATENT DOCUMENTS

D127,402 S \* 5/1941 Schwartz ..... D5/62  
2,905,174 A \* 9/1959 Smith ..... A61F 13/0203  
602/42

(Continued)

**1 Claim, 1 Drawing Sheet**



(58) **Field of Classification Search**  
 CPC ..... 13/00038; A61F 13/023; A61F 13/0243;  
 A61F 13/0266  
 See application file for complete search history.

(56) **References Cited**

U.S. PATENT DOCUMENTS

2,924,331 A \* 2/1960 Hoey ..... A61F 13/0203  
 206/441  
 2,946,435 A \* 7/1960 Schladermundt ... A61F 13/0203  
 206/441  
 4,541,426 A 9/1985 Webster  
 4,612,230 A 9/1986 Liland et al.  
 5,158,555 A \* 10/1992 Porzilli ..... A61F 13/0203  
 602/47  
 5,267,952 A 12/1993 Gardner  
 D383,211 S \* 9/1997 Dunshee ..... D24/189  
 5,667,864 A \* 9/1997 Landoll ..... A61F 13/0203  
 428/74  
 D387,169 S \* 12/1997 Dunshee ..... D24/189  
 D389,244 S \* 1/1998 Dunshee ..... D24/189  
 D391,639 S \* 3/1998 Dunshee ..... D24/189  
 D402,371 S \* 12/1998 Haynes ..... D24/189  
 D404,136 S \* 1/1999 Dunshee ..... D24/189  
 D407,160 S \* 3/1999 Dunshee ..... D24/189  
 D410,087 S \* 5/1999 Dunshee ..... D24/189  
 5,919,411 A 7/1999 Rezai et al.  
 5,964,742 A \* 10/1999 McCormack ..... D04H 1/54  
 604/380  
 D422,151 S \* 4/2000 Hwang ..... D5/59  
 6,162,960 A \* 12/2000 Klein ..... A61F 13/00063  
 602/41  
 6,297,420 B1 \* 10/2001 Heincke ..... A61F 13/0206  
 602/41  
 D495,419 S \* 8/2004 Dunshee ..... D24/189  
 D514,703 S \* 2/2006 Palomino, Jr. .... D24/189  
 D573,260 S \* 7/2008 Dunshee ..... D24/189  
 D578,651 S \* 10/2008 Dunshee ..... D24/189  
 D636,607 S \* 4/2011 Withers ..... A47J 36/02  
 D5/56  
 7,982,087 B2 \* 7/2011 Greener ..... A61F 13/0203  
 602/42  
 8,236,083 B2 8/2012 Garcia et al.  
 8,283,514 B2 \* 10/2012 Baschnagel ..... A61F 13/0203  
 424/443  
 8,387,497 B2 3/2013 Raidel et al.  
 D683,035 S \* 5/2013 Dunshee ..... D24/189  
 D697,216 S \* 1/2014 Chan ..... D24/189  
 8,680,360 B2 3/2014 Greener et al.  
 D707,829 S \* 6/2014 Chan ..... D24/189  
 D708,751 S \* 7/2014 Chan ..... D24/189  
 D714,560 S \* 10/2014 Xu ..... D5/56  
 D745,688 S \* 12/2015 Chan ..... D24/189  
 D745,689 S \* 12/2015 Chan ..... D24/189  
 D745,690 S \* 12/2015 Devenish ..... D24/189  
 D748,921 S \* 2/2016 Romano, III ..... D5/30  
 D749,210 S \* 2/2016 Appelbaum ..... D24/128  
 9,308,115 B2 \* 4/2016 Quinn ..... A61F 5/40  
 D757,950 S \* 5/2016 Karlsson ..... D24/189  
 D765,993 S \* 9/2016 Palzewicz ..... D5/53  
 D770,631 S \* 11/2016 Green ..... D24/189  
 D773,194 S \* 12/2016 Hurley ..... D5/56  
 9,511,215 B2 \* 12/2016 Skiba ..... A61N 1/30  
 D777,456 S \* 1/2017 Azeredo ..... D5/59

D789,616 S \* 6/2017 Votel ..... D29/121.1  
 D790,071 S \* 6/2017 Ahsani ..... D24/189  
 9,820,888 B2 11/2017 Greener et al.  
 D807,518 S \* 1/2018 Gildersleeve ..... A41D 13/015  
 D24/189  
 D823,608 S \* 7/2018 Stephani ..... D5/56  
 D825,202 S \* 8/2018 Stephani ..... D5/62  
 D840,026 S \* 2/2019 Candy ..... D24/124  
 10,219,953 B2 \* 3/2019 Dewitt ..... A61F 13/0206  
 D845,647 S \* 4/2019 Zhu ..... D5/58  
 D848,004 S \* 5/2019 Del Rossi ..... D24/189  
 10,299,966 B2 \* 5/2019 Pigg ..... A61F 13/0203  
 D851,776 S \* 6/2019 Weinstein ..... D24/206  
 D851,944 S \* 6/2019 Toelke ..... D5/59  
 D851,945 S \* 6/2019 Toelke ..... D5/59  
 D851,946 S \* 6/2019 Toelke ..... D5/60  
 D851,947 S \* 6/2019 Toelke ..... D5/60  
 10,307,587 B2 \* 6/2019 King ..... A61N 1/205  
 D852,512 S \* 7/2019 Toelke ..... D5/59  
 D852,513 S \* 7/2019 Toelke ..... D5/59  
 D852,514 S \* 7/2019 Toelke ..... D5/59  
 D856,005 S \* 8/2019 Chaturvedi ..... D5/58  
 2004/0002676 A1 \* 1/2004 Siegwart ..... A61F 13/0203  
 602/58  
 2010/0100022 A1 4/2010 Greener et al.  
 2010/0179463 A1 7/2010 Greener et al.  
 2012/0041402 A1 2/2012 Greener  
 2012/0220973 A1 \* 8/2012 Chan ..... A61F 13/0223  
 604/384  
 2012/0220974 A1 8/2012 Chan et al.  
 2012/0220975 A1 \* 8/2012 Chan ..... A61F 13/0206  
 604/384  
 2014/0094730 A1 4/2014 Greener et al.  
 2018/0289559 A1 \* 10/2018 Caneppele ..... A61F 13/0243  
 2019/0099297 A1 \* 4/2019 Cettina ..... A61F 13/0206

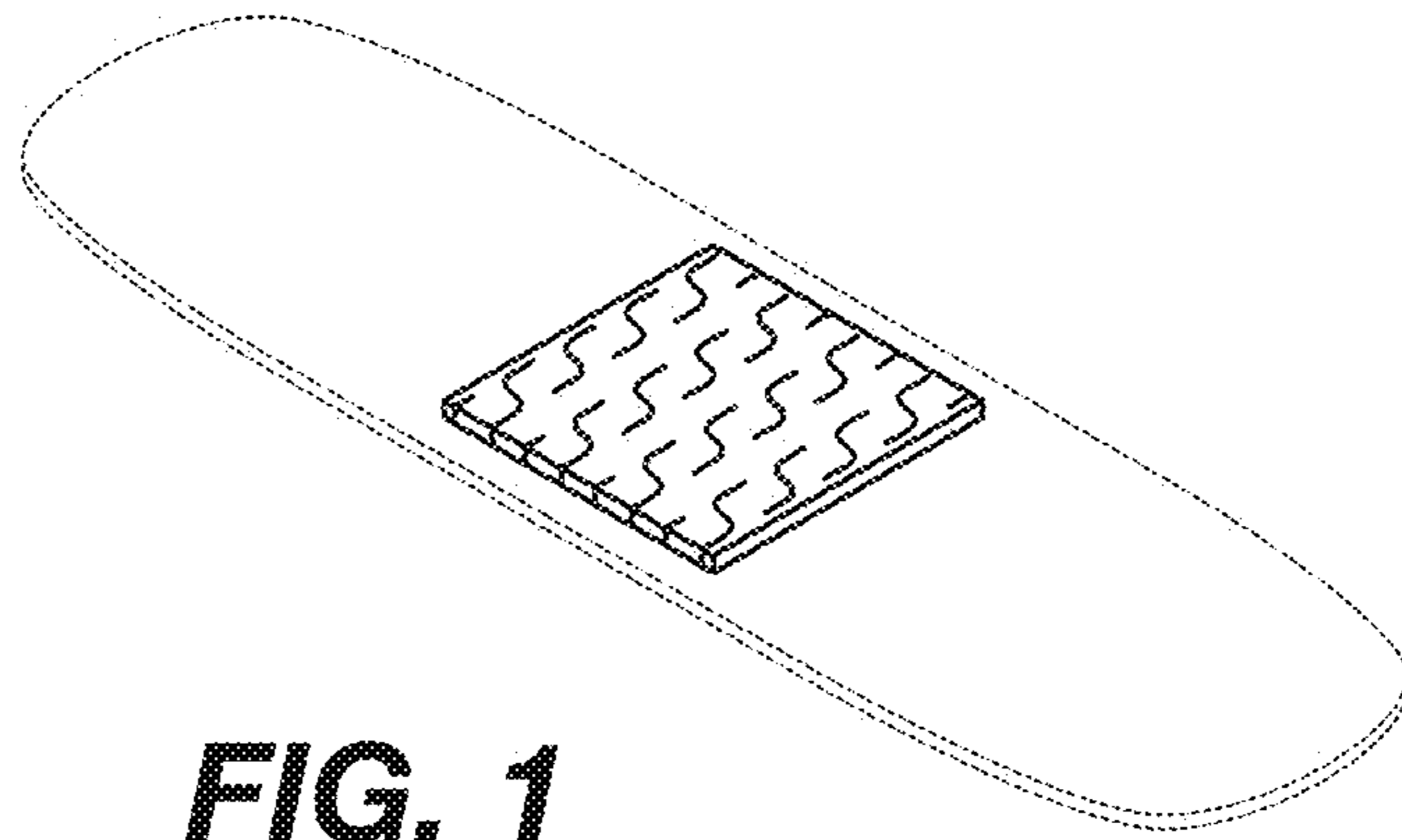
FOREIGN PATENT DOCUMENTS

EP 3085344 10/2016  
 GB 821959 10/1959  
 WO 2010/097570 9/2010  
 WO 2014/149718 9/2014  
 WO WO 2016/030047 A1 3/2016  
 WO 2016/081708 5/2016

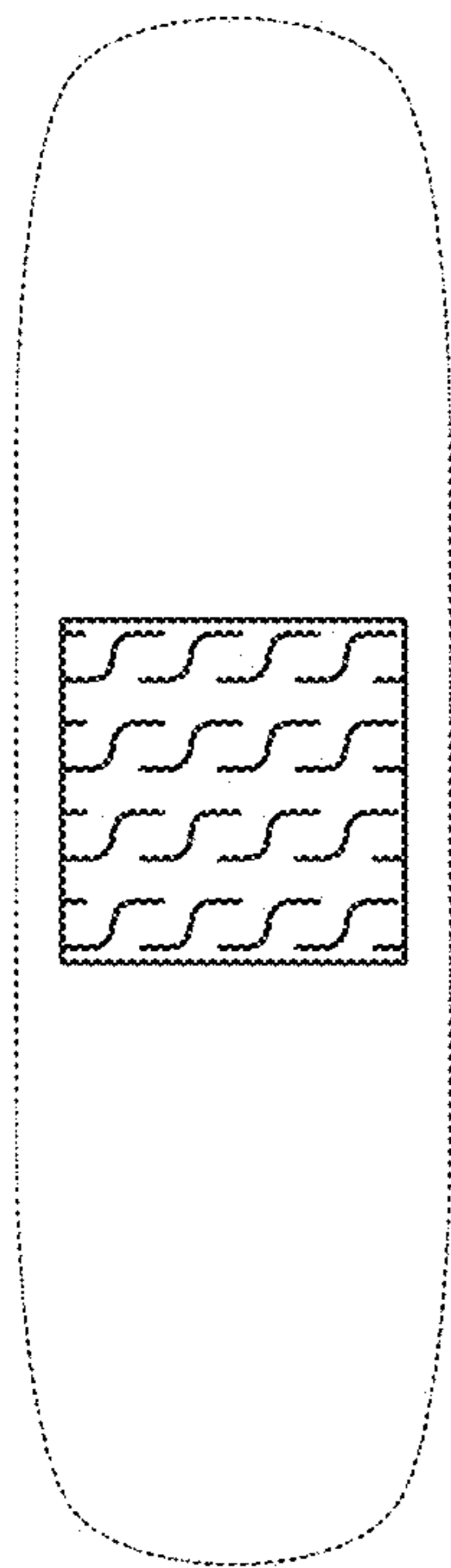
OTHER PUBLICATIONS

Nancy Cartwright. Nancy Cartwright Takes Over as “Chuckie” on The Rugrats. Jul. 2, 2002. <https://nancycartwright.com/news/nancy-takes-over-as-chuckie-on-the-rugrats/> (Year: 2002).  
 U.S. Appl. No. 29/643,723, filed Apr. 11, 2018.  
 U.S. Appl. No. 29/643,725, filed Apr. 11, 2018.  
 U.S. Appl. No. 29/643,727, filed Apr. 11, 2018.  
 U.S. Appl. No. 15/950,326, filed Apr. 11, 2018.  
 U.S. Appl. No. 15/950,341, filed Apr. 11, 2018.  
 U.S. Appl. No. 15/950,346, filed Apr. 11, 2018.  
 U.S. Appl. No. 15/950,355, filed Apr. 11, 2018.  
 U.S. Appl. No. 29/654,725, filed Jun. 27, 2018.  
 U.S. Appl. No. 29/654,726, filed Jun. 27, 2018.  
 U.S. Appl. No. 29/654,728, filed Jun. 27, 2018.  
 U.S. Appl. No. 29/654,731, filed Jun. 27, 2018.  
 U.S. Appl. No. 29/672,807, filed Dec. 10, 2018.  
 U.S. Appl. No. 29/672,805, filed Dec. 10, 2018.

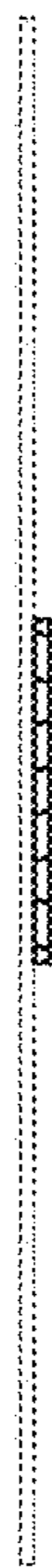
\* cited by examiner



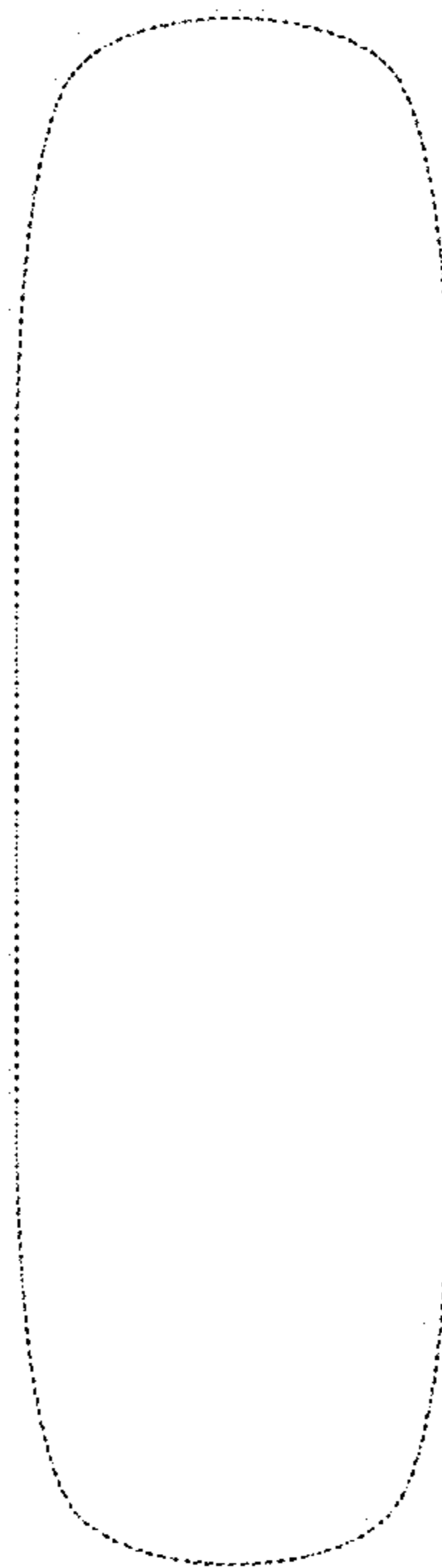
**FIG. 1**



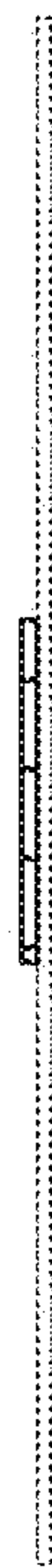
**FIG. 2**



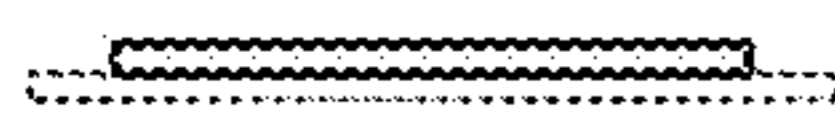
**FIG. 3**



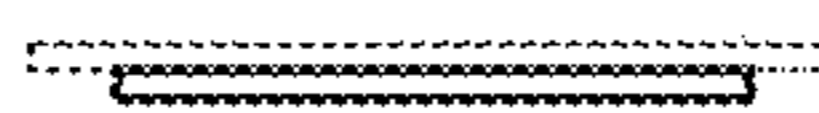
**FIG. 4**



**FIG. 5**



**FIG. 6**



**FIG. 7**