



US00D879970S

(12) **United States Design Patent**
Dietz

(10) **Patent No.:** **US D879,970 S**

(45) **Date of Patent:** **** Mar. 31, 2020**

(54) **BIOCONDUCTIVE TIP**

(71) Applicant: **Vine Medical, LLC**, St. George, UT
(US)

(72) Inventor: **Phillip Dietz**, St. George, UT (US)

(73) Assignee: **Vine Medical, LLC**, St. George, UT
(US)

(**) Term: **15 Years**

(21) Appl. No.: **29/656,793**

(22) Filed: **Jul. 16, 2018**

(51) **LOC (12) Cl.** **24-02**

(52) **U.S. Cl.**
USPC **D24/187**

(58) **Field of Classification Search**
USPC D24/107, 108, 121, 133, 216, 222-230,
D24/232, 233, 147, 187; D6/582, 583,
D6/592; D7/388; D30/118; D32/57, 59
CPC A61B 5/053
See application file for complete search history.

(56) **References Cited**

U.S. PATENT DOCUMENTS

| | | | | | |
|------------|---|---------|----------|-------|---------|
| D437,938 S | * | 2/2001 | Ko | | D24/200 |
| D445,638 S | * | 7/2001 | Bodum | | D7/388 |
| D445,639 S | * | 7/2001 | Bodum | | D7/388 |
| D517,753 S | * | 3/2006 | Northrop | | D30/161 |
| D645,156 S | * | 9/2011 | Reitze | | D24/227 |
| D655,555 S | * | 3/2012 | Benson | | D6/592 |
| D656,622 S | * | 3/2012 | Gasser | | D24/224 |
| D659,256 S | * | 5/2012 | Galano | | D24/225 |
| D659,849 S | * | 5/2012 | Galano | | D24/225 |
| D743,571 S | * | 11/2015 | Jackson | | D24/216 |

| | | | | | |
|------------|---|---------|-----------|-------|---------|
| D817,571 S | * | 5/2018 | Campbell | | D32/35 |
| D826,412 S | * | 8/2018 | Martin | | D24/187 |
| D830,566 S | * | 10/2018 | Bookhamer | | D24/211 |
| D833,630 S | * | 11/2018 | Butler | | D24/200 |

FOREIGN PATENT DOCUMENTS

CN 201630587001 * 12/2016

* cited by examiner

Primary Examiner — Susan Bennett Hattan

Assistant Examiner — Omeed Agilee

(74) *Attorney, Agent, or Firm* — Gurr Brande &
Spendlove, PLLC; Robert A. Gurr

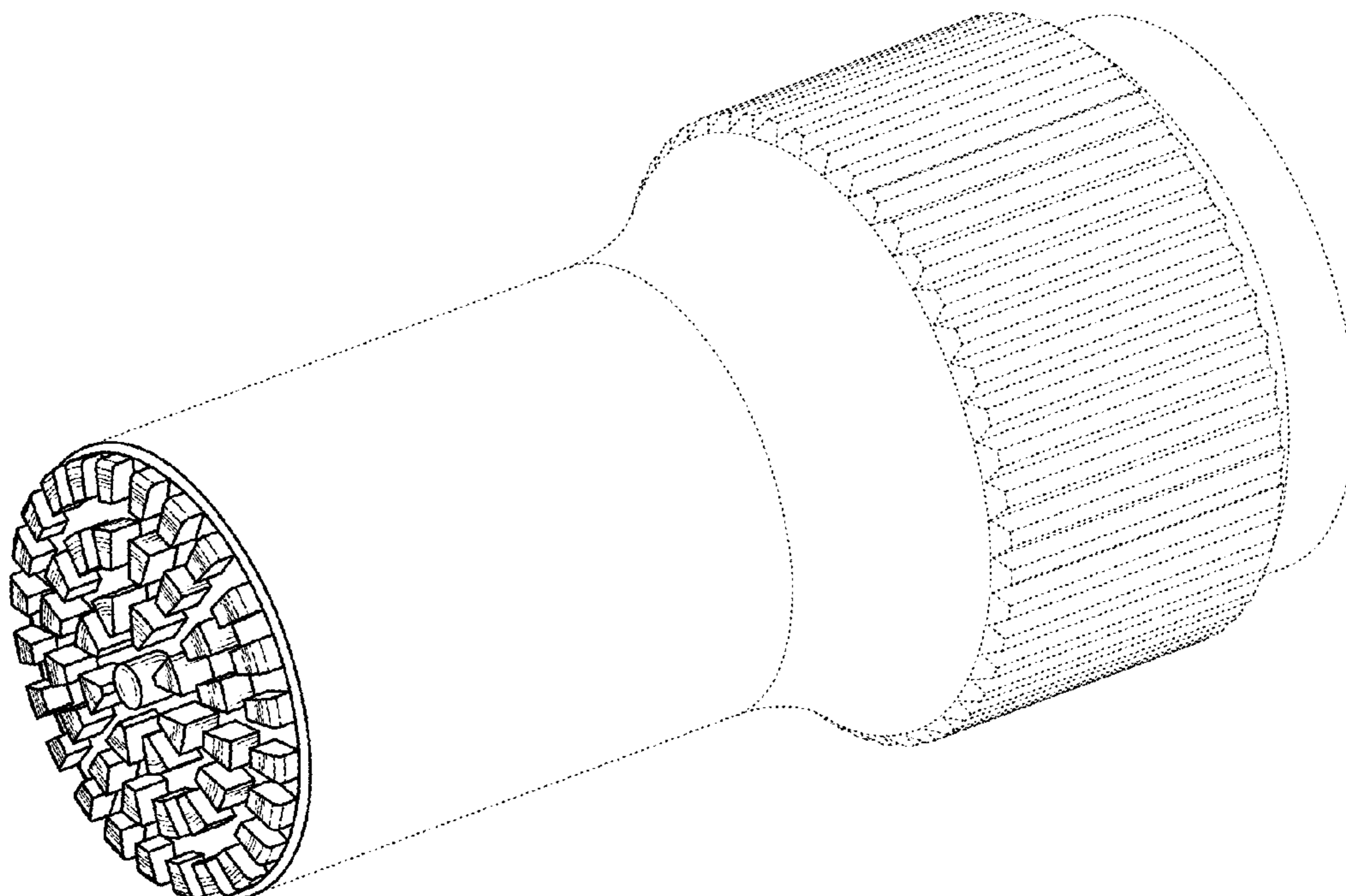
(57) **CLAIM**

The ornamental design for a bioconductive tip, as shown and described.

DESCRIPTION

FIG. 1 is a perspective view of a bioconductive tip;
 FIG. 2 is a top plan view thereof;
 FIG. 3 is a bottom plan view thereof;
 FIG. 4 is a right side elevation view thereof;
 FIG. 5 is a left side elevation view thereof;
 FIG. 6 is a front elevation view thereof;
 FIG. 7 is a rear elevation view thereof;
 FIG. 8 is a perspective view thereof in an exploded assembly; and,
 FIG. 9 is a perspective view thereof in use.
 The broken lines in FIGS. 1-7 depict portions of the bioconductive tip that form no part of the claimed design. The remainder of the broken lines in FIGS. 8-9 depict environmental subject matter that forms no part of the claimed design.

1 Claim, 7 Drawing Sheets



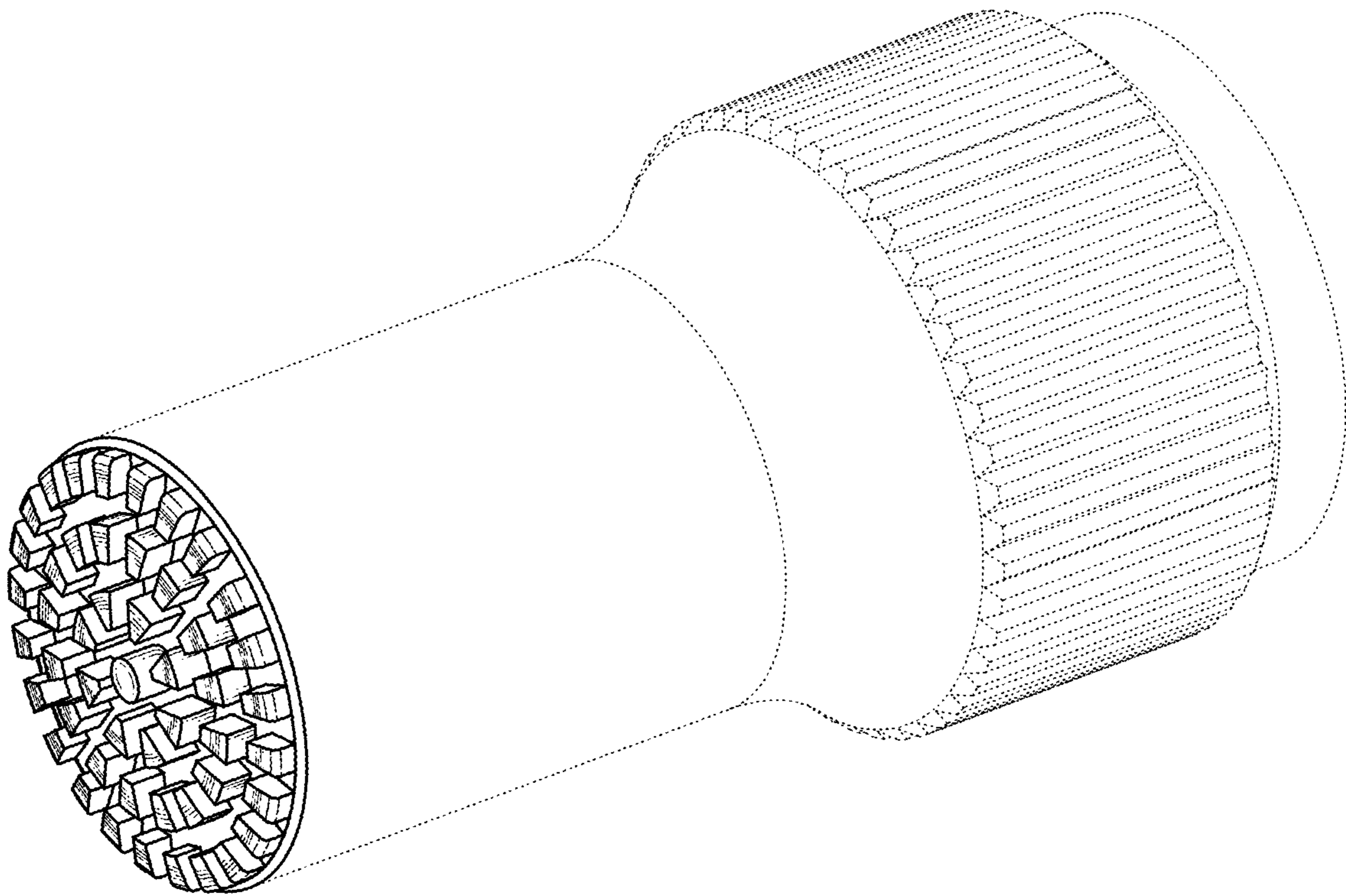


FIG. 1

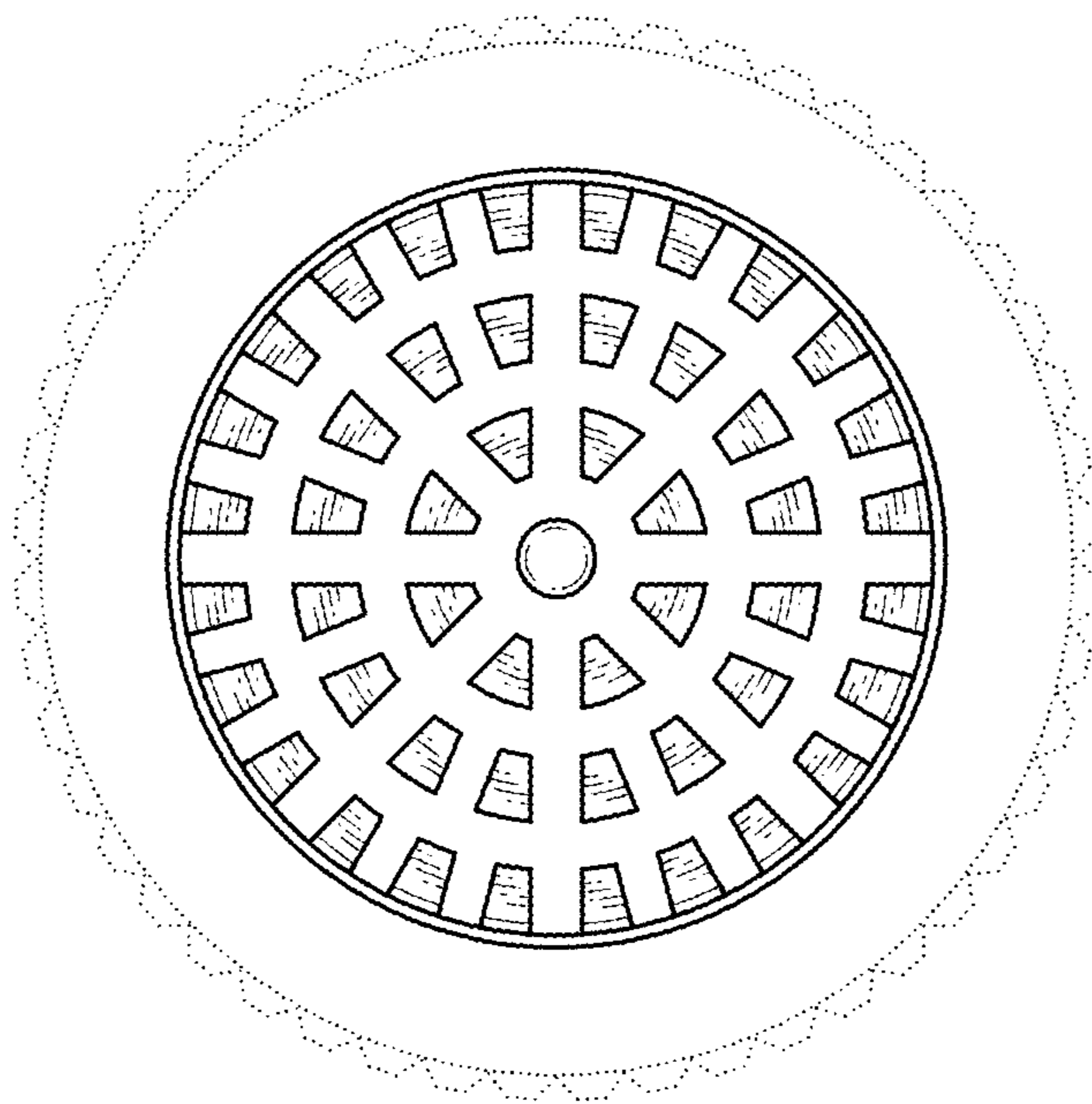


FIG. 2

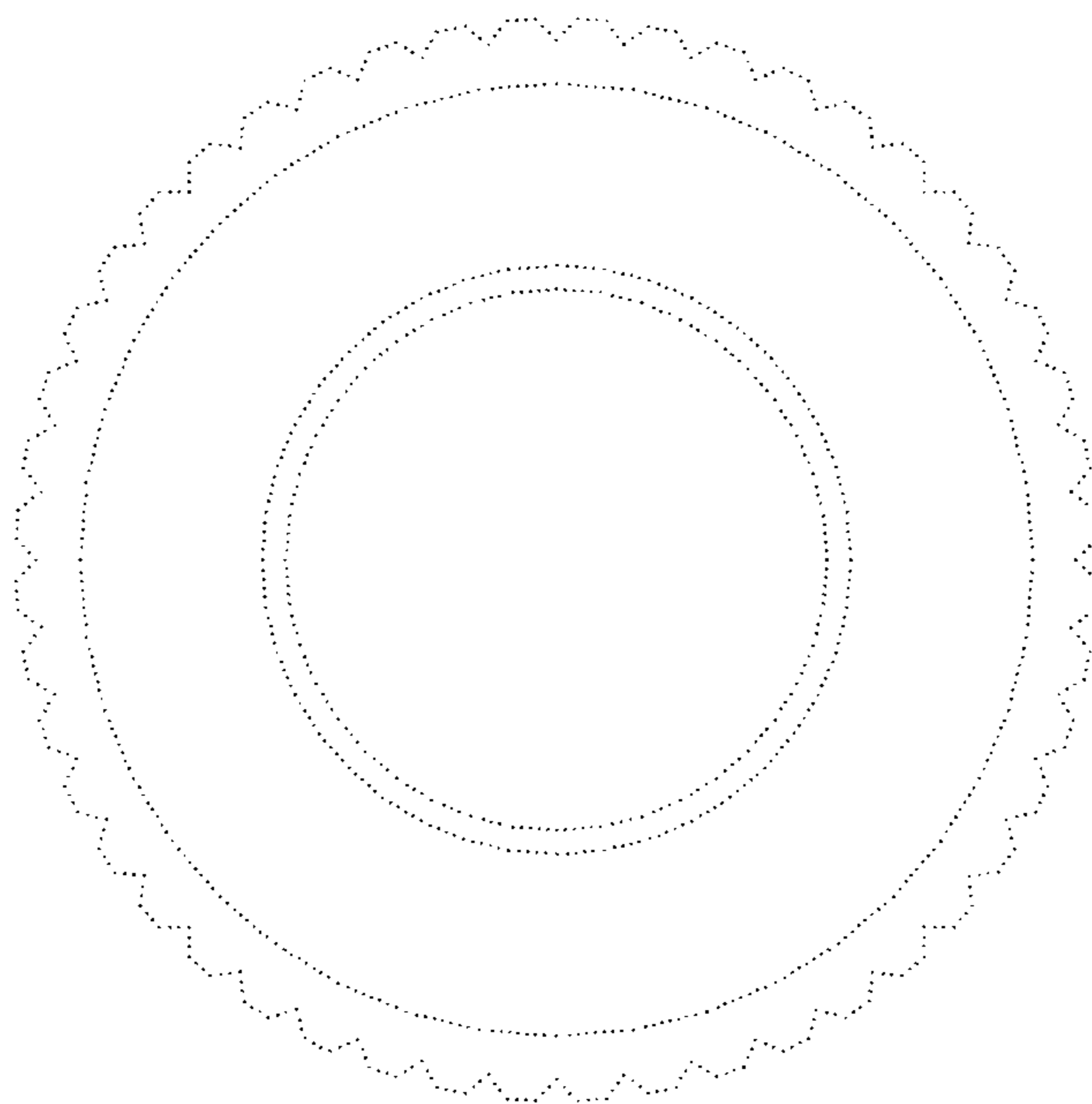


FIG. 3

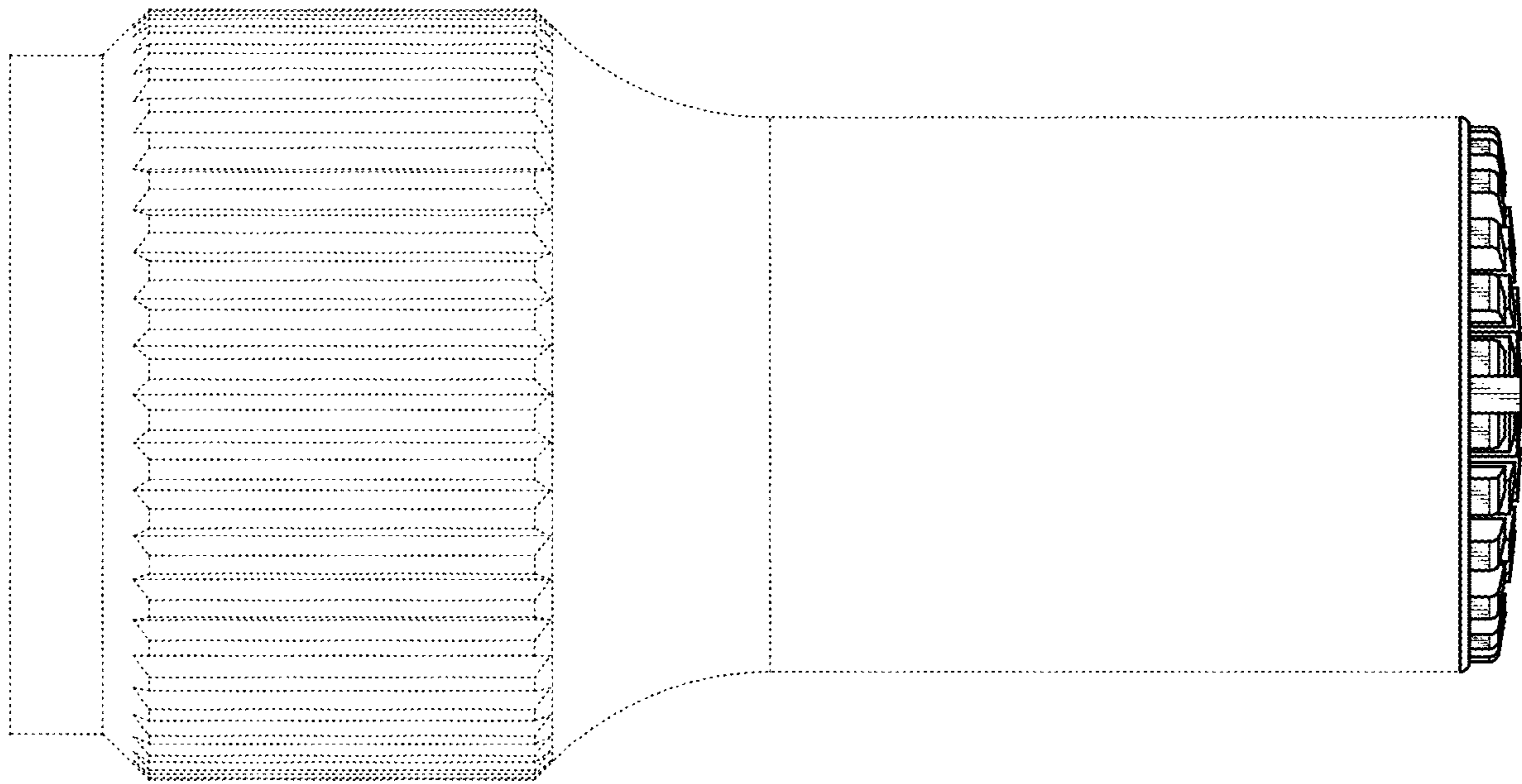


FIG. 4

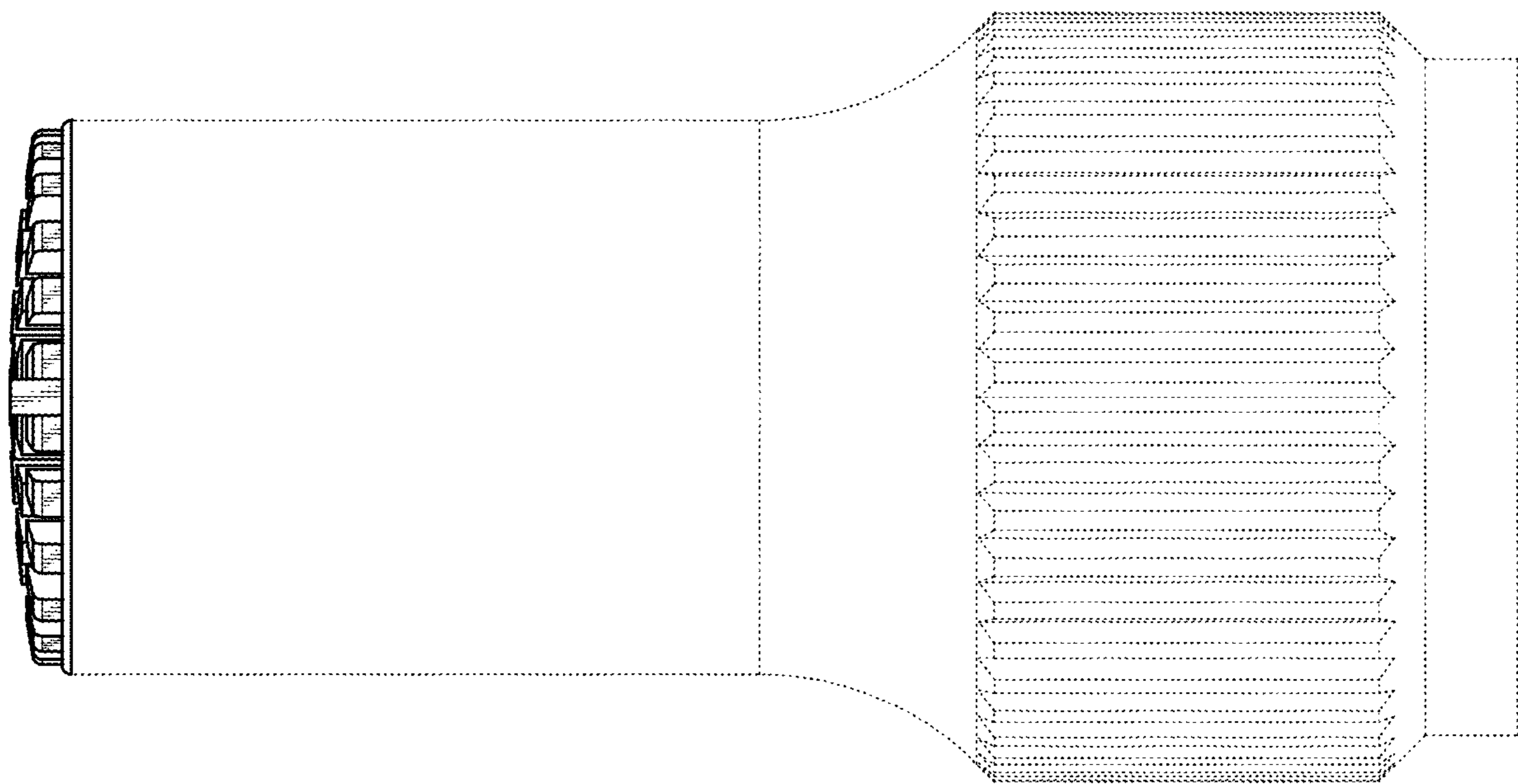


FIG. 5

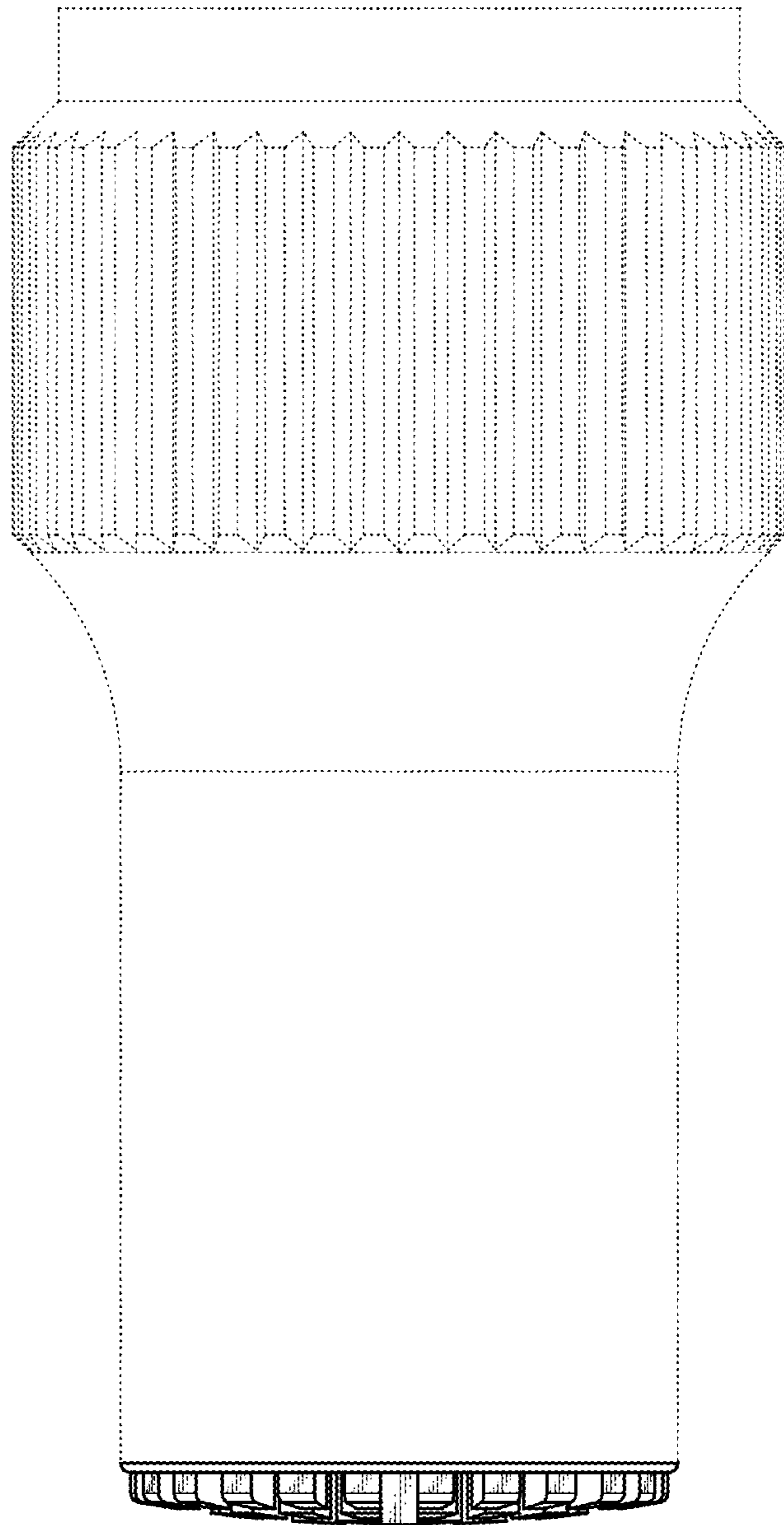


FIG. 6

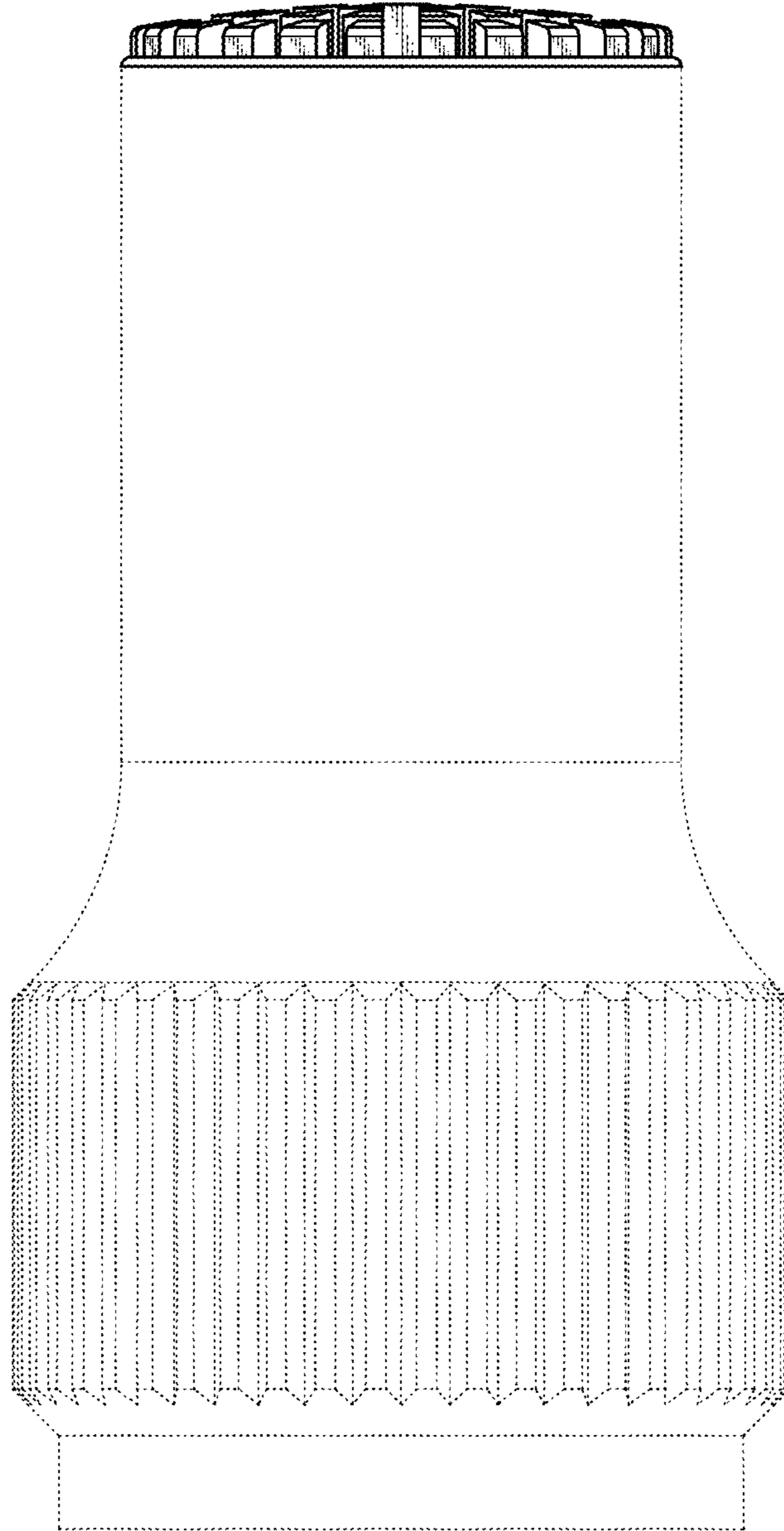


FIG. 7

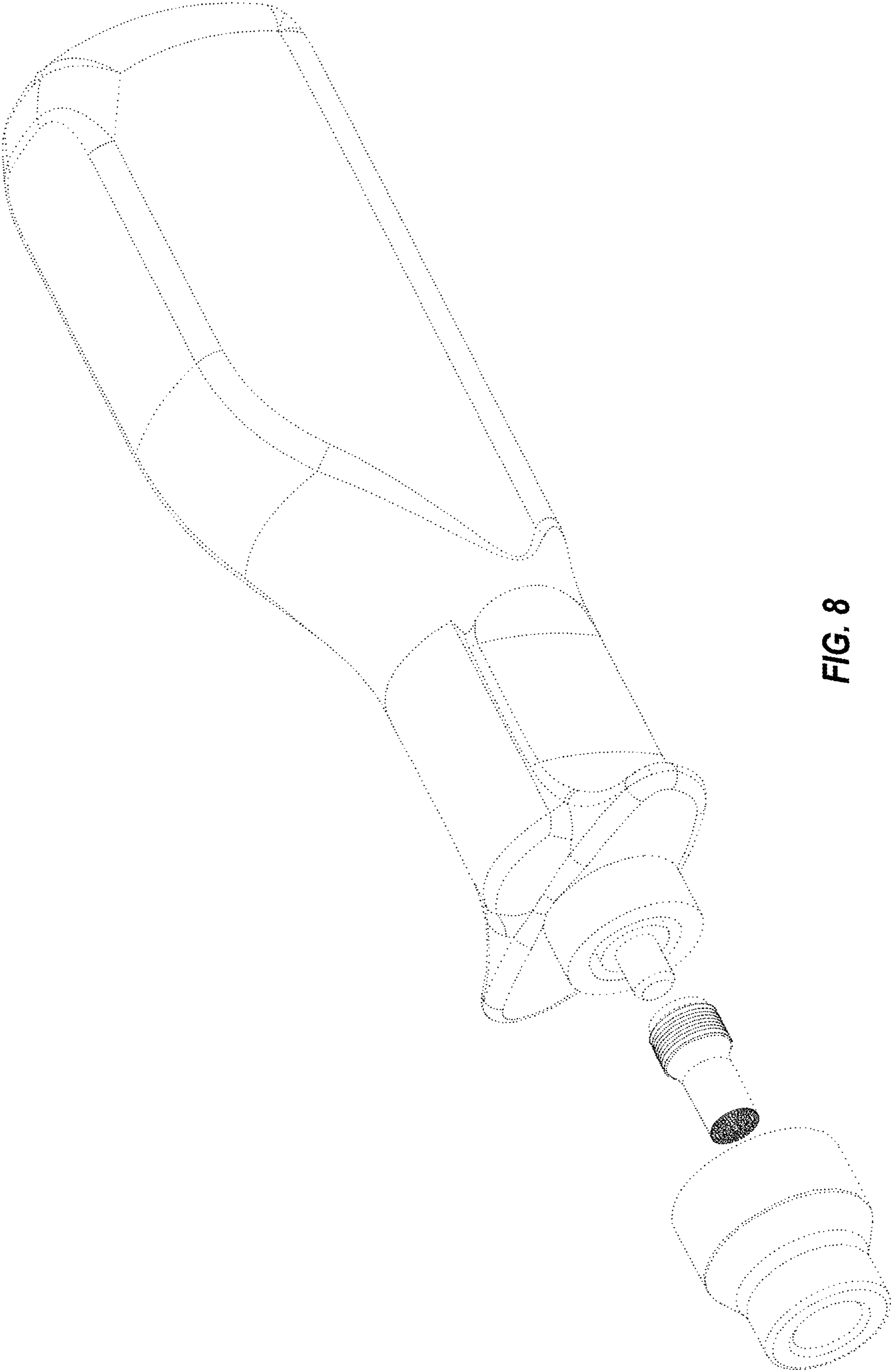


FIG. 8

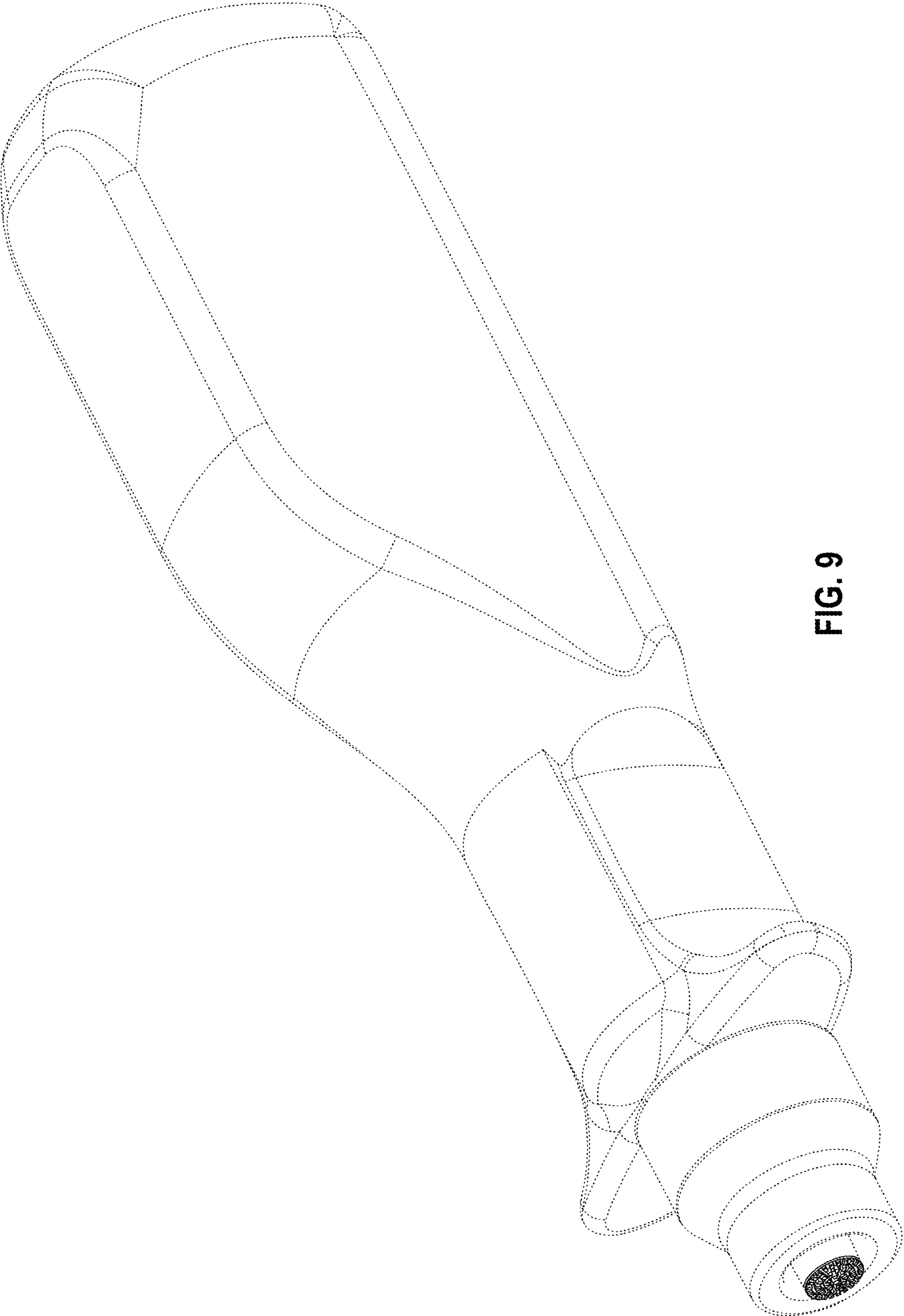


FIG. 9