



US00D879965S

(12) **United States Design Patent** (10) **Patent No.:** **US D879,965 S**
Su et al. (45) **Date of Patent:** **** *Mar. 31, 2020**

(54) **PEDICLE SCREW** 2018/0014863 A1* 1/2018 Biester A61B 17/7076
2018/0070987 A1* 3/2018 Su A61B 17/7001
2018/0263665 A1* 9/2018 Yacoub A61B 17/7056

(71) Applicant: **Wiltrom Co., Ltd.**, Zhubei, Hsinchu County (TW)

FOREIGN PATENT DOCUMENTS

(72) Inventors: **Yi-Chun Su**, Zhubei (TW);
Chieh-Feng Lu, Zhubei (TW);
Huang-Chien Liang, Zhubei (TW)

CN 304409326 * 12/2017
TW 583960 U 4/2004
TW M465887 11/2013

(73) Assignee: **WILTROM CO., LTD.**, Zhubei, Hsinchu County (TW)

* cited by examiner

(*) Notice: This patent is subject to a terminal disclaimer.

Primary Examiner — Barbara Fox
Assistant Examiner — Mary Shannon Malley
(74) *Attorney, Agent, or Firm* — Muncy, Geissler, Olds & Lowe, P.C.

(**) Term: **15 Years**

(57) **CLAIM**

(21) Appl. No.: **29/604,239**

The ornamental design for a pedicle screw, as shown and described.

(22) Filed: **May 16, 2017**

DESCRIPTION

(51) **LOC (12) Cl.** **24-01**

(52) **U.S. Cl.**
USPC **D24/171**

(58) **Field of Classification Search**
USPC D24/155–157, 170, 171
CPC A61B 17/7071; A61B 17/7073; A61B 17/7074; A61B 17/7076; A61B 17/7082
See application file for complete search history.

FIG. 1 is a first perspective view of a pedicle screw showing my new design;
FIG. 2 is a partial enlarged view taken from the broken encircled portion 2 of FIG. 1;
FIG. 3 is a front view thereof;
FIG. 4 is a partial enlarged view taken from the broken encircled portion 4 of FIG. 3;
FIG. 5 is a rear view thereof;
FIG. 6 is a left side view thereof;
FIG. 7 is a right side view thereof;
FIG. 8 is an enlarged top view thereof;
FIG. 9 is a partial enlarged view taken from the broken encircled portion 9 of FIG. 8;
FIG. 10 is a bottom view thereof; and,
FIG. 11 is a second perspective view thereof in an exemplary use.

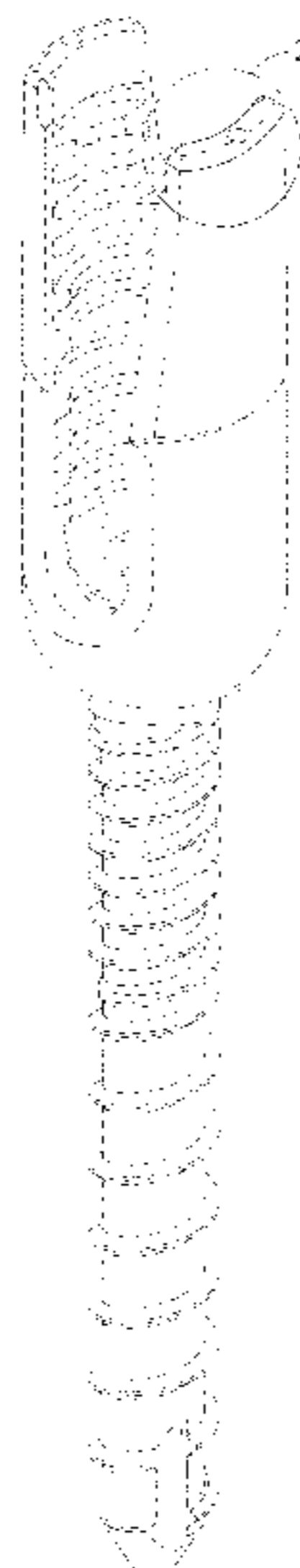
(56) **References Cited**

U.S. PATENT DOCUMENTS

9,084,634 B1* 7/2015 Lab A61B 17/7038
D818,124 S * 5/2018 Kiefer D24/152
2013/0144349 A1* 6/2013 Corin A61B 17/7037
606/86 A
2014/0031935 A1* 1/2014 Donner A61F 2/4455
623/17.11
2015/0105831 A1* 4/2015 Yim A61B 17/7091
606/86 A
2015/0282843 A1* 10/2015 Spitler A61B 17/7082
606/266
2017/0095271 A1* 4/2017 Faulhaber A61B 17/7044

The dash-dash broken lines show environmental structure that forms no part of the claimed design. The dot-dash broken lines represent the boundaries of the claimed design.

1 Claim, 8 Drawing Sheets



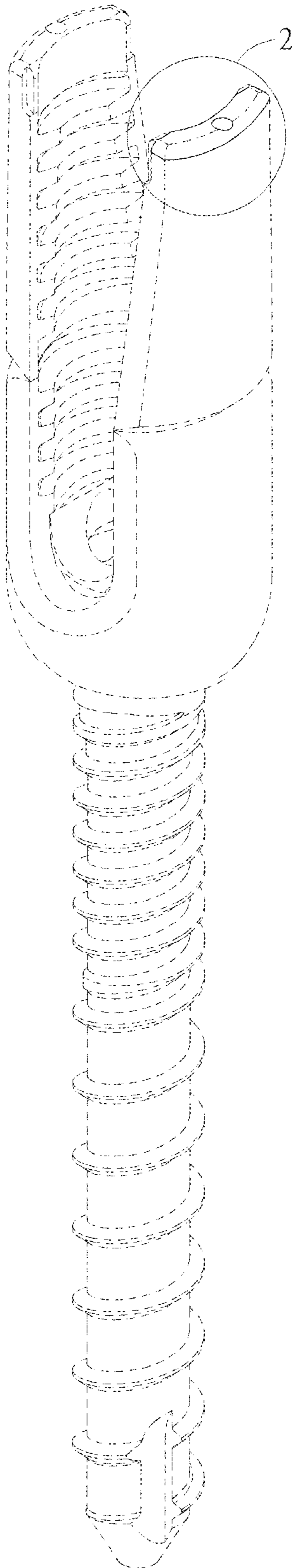


FIG. 1

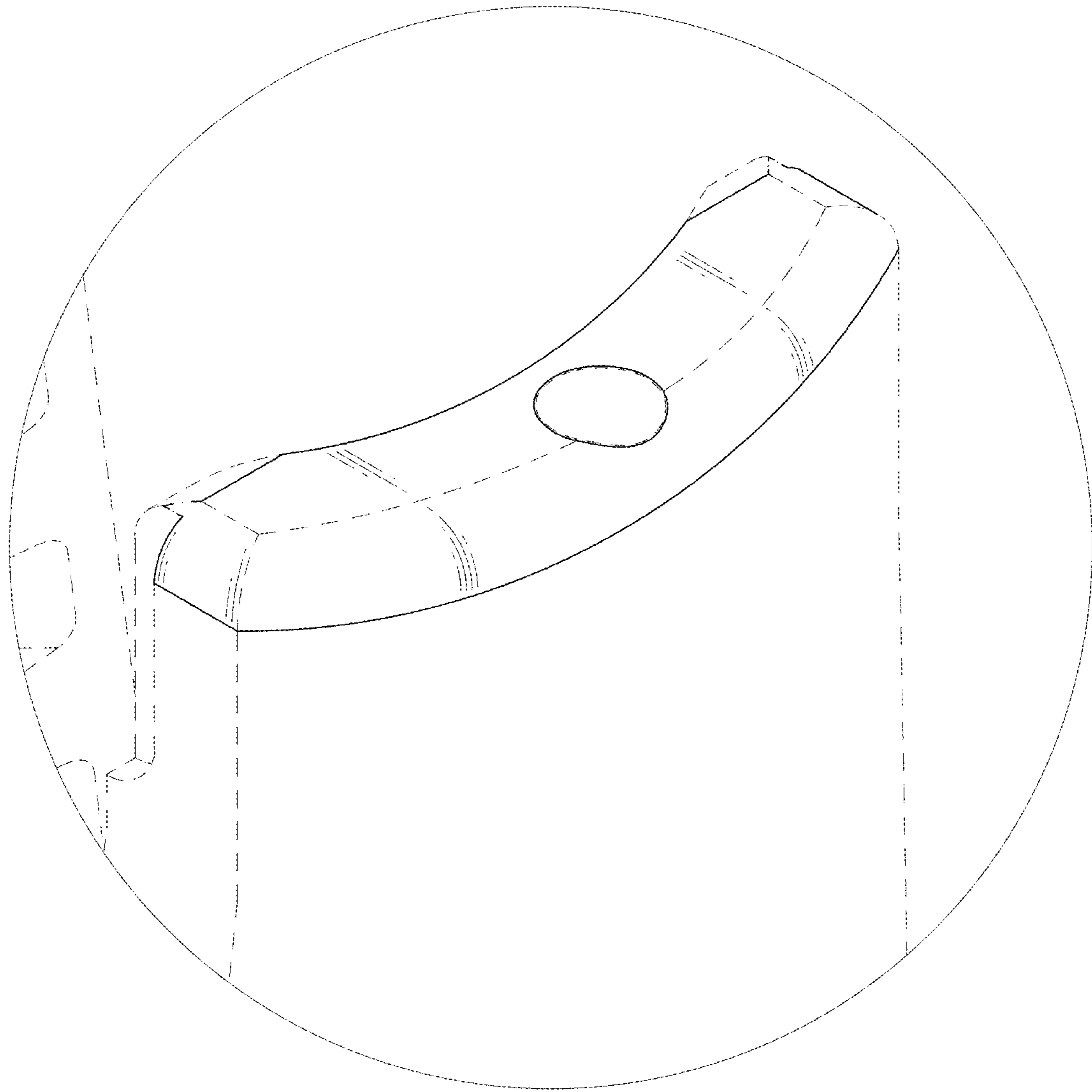


FIG.2

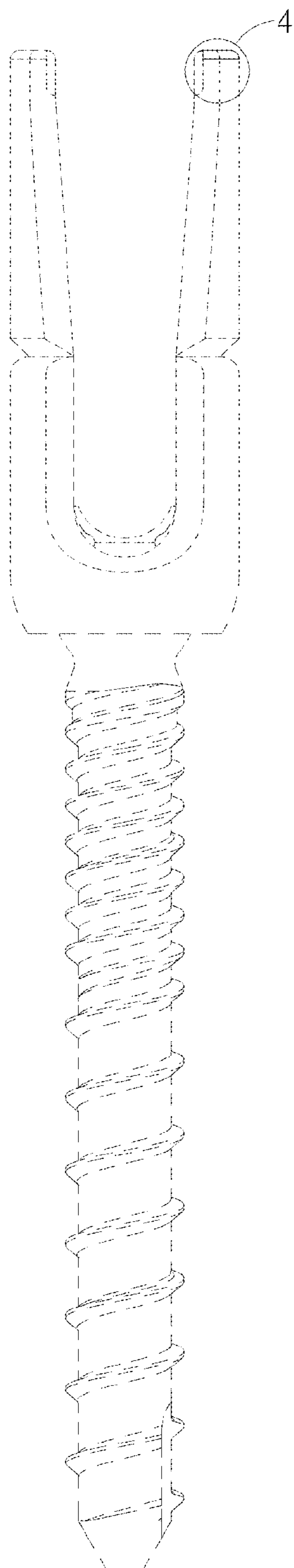


FIG.3

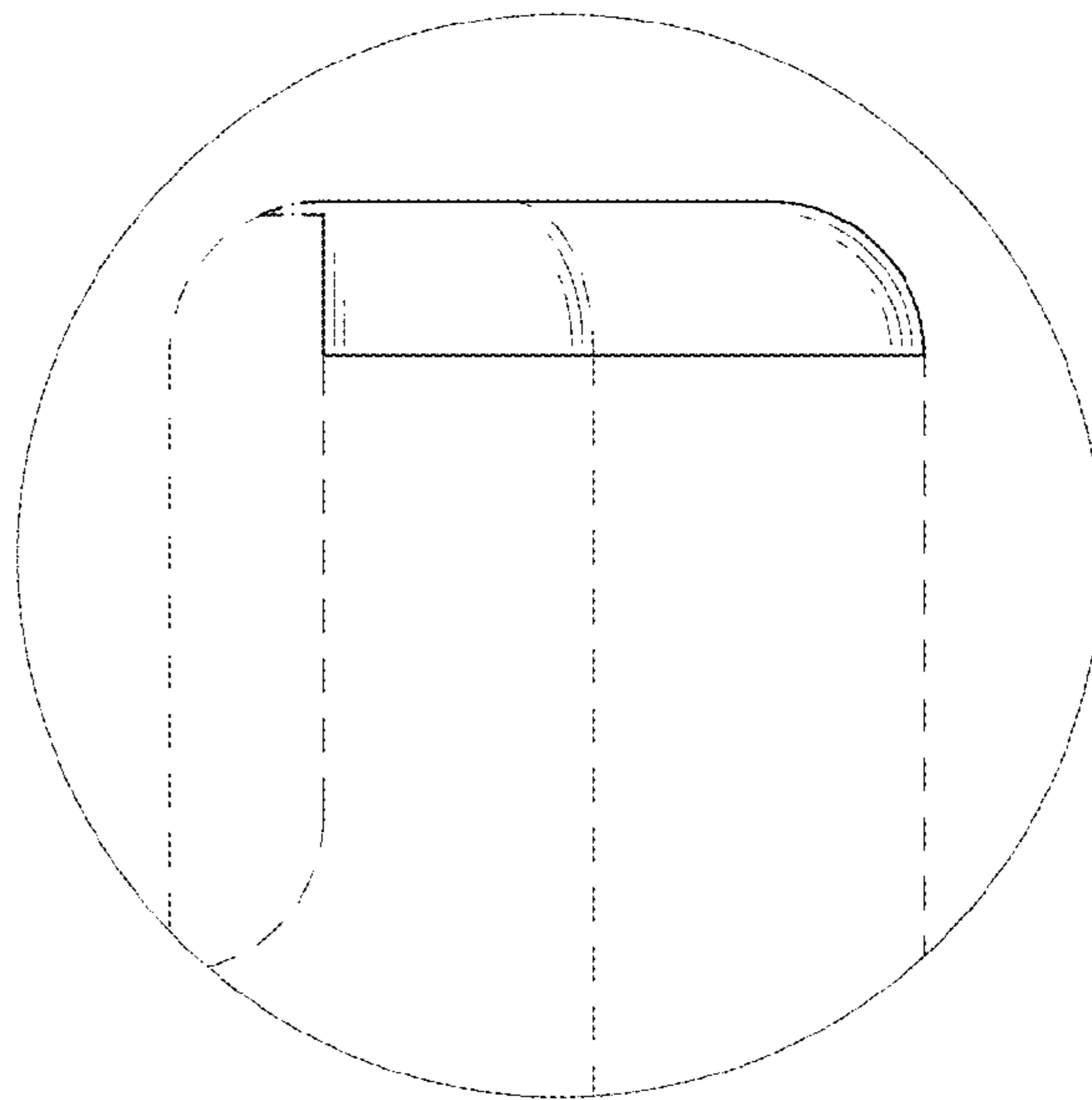


FIG.4

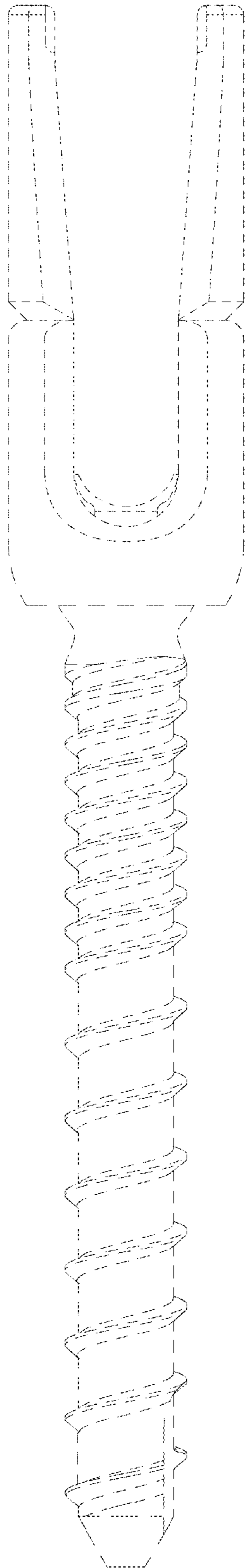


FIG.5

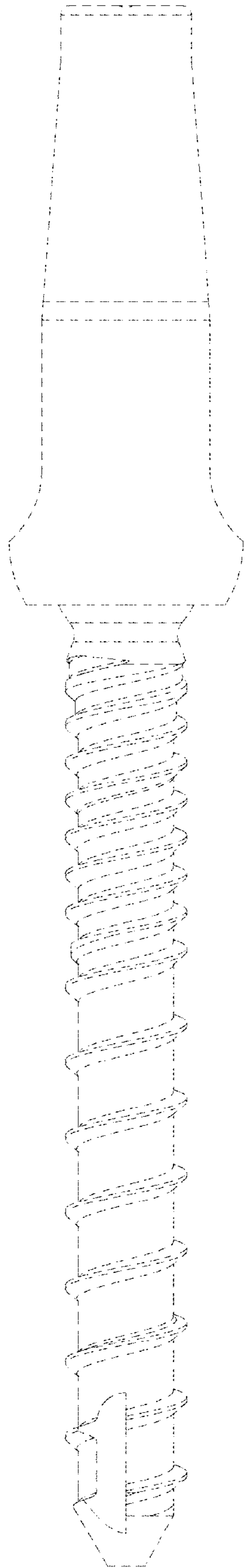


FIG. 6

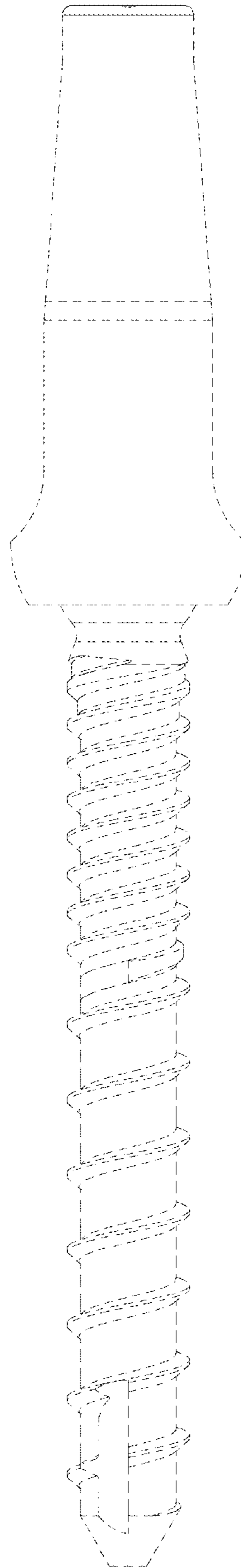


FIG. 7

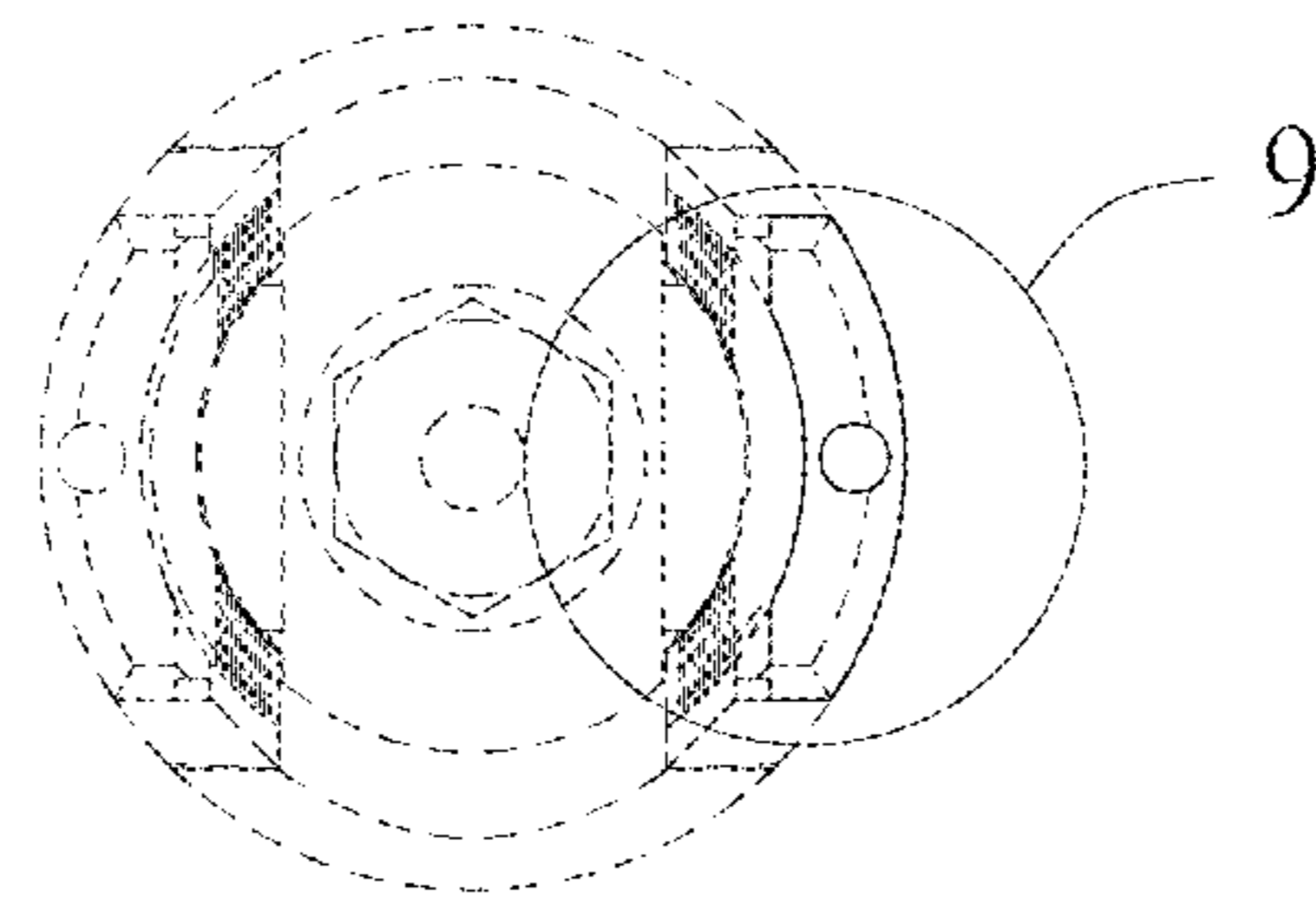


FIG. 8

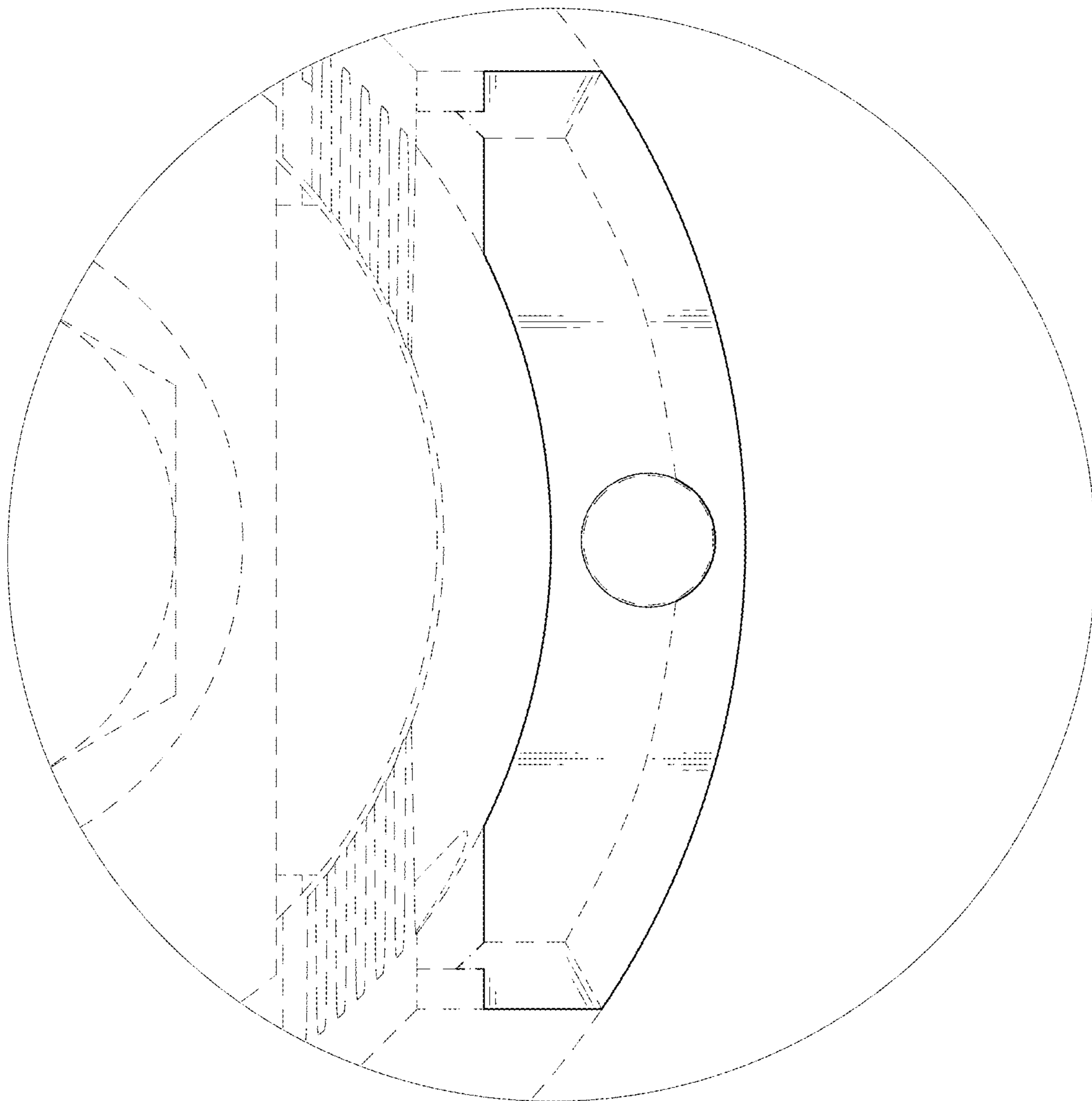


FIG. 9

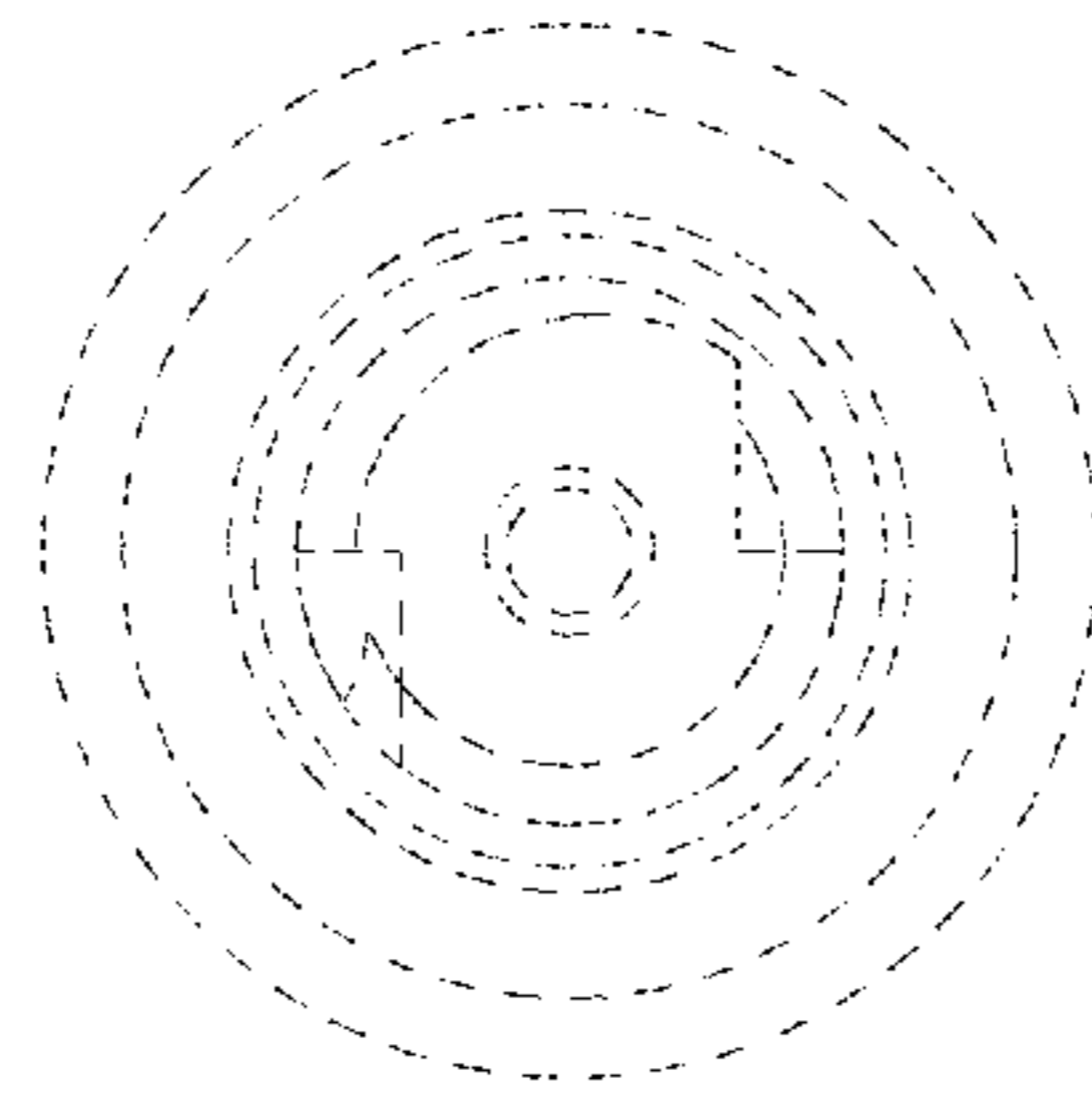


FIG.10

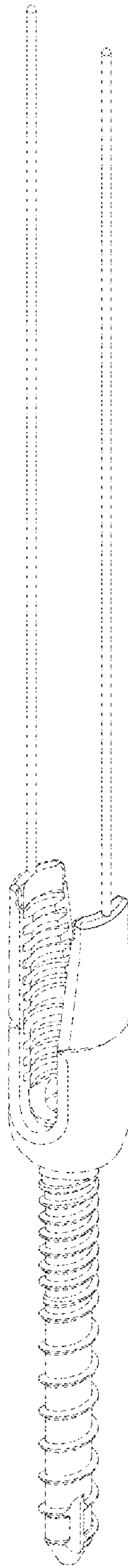


FIG.11