



US00D879960S

(12) **United States Design Patent**
Melnikoff et al.

(10) **Patent No.:** **US D879,960 S**
(45) **Date of Patent:** **** Mar. 31, 2020**

(54) **DENTAL SOLUTION PEN APPLICATOR**

(71) Applicant: **Young Microbrush, LLC**, Grafton, WI (US)

(72) Inventors: **Donald Melnikoff**, Mukwonago, WI (US); **Wayne Siebrecht**, Golden, CO (US); **Aaron Eiger**, Chicago, IL (US); **Kent Solberg**, Whitefish Bay, WI (US)

(73) Assignee: **YOUNG MICROBRUSH, LLC**, Grafton, WI (US)

(**) Term: **15 Years**

(21) Appl. No.: **29/619,805**

(22) Filed: **Oct. 2, 2017**

Related U.S. Application Data

(63) Continuation of application No. 29/563,672, filed on May 6, 2016, now Pat. No. Des. 799,040.

(51) **LOC (12) Cl.** **24-02**

(52) **U.S. Cl.**
USPC **D24/152**

(58) **Field of Classification Search**
USPC D24/152, 176, 146, 112
CPC .. A61C 3/00; A61C 3/005; A61C 5/62; A61C 17/0202; A61C 17/22; A61C 17/225; A61C 19/063; A61C 19/066; B05C 17/00593

See application file for complete search history.

(56) **References Cited**

U.S. PATENT DOCUMENTS

5,829,976 A 11/1998 Green
D594,985 S 6/2009 Jansheski et al.
D639,946 S 6/2011 Simon
8,602,774 B2 12/2013 Wasylucha

9,427,079 B2 8/2016 Korup
2014/0011163 A1 1/2014 Montgomery
2016/0074136 A1 3/2016 Pauser et al.
(Continued)

OTHER PUBLICATIONS

Office Action dated May 30, 2017 in Design U.S. Appl. No. 29/563,672.

(Continued)

Primary Examiner — Wan Laymon

(74) *Attorney, Agent, or Firm* — McDermott Will & Emery LLP

(57) **CLAIM**

The ornamental design for a dental solution pen applicator, as shown and described.

DESCRIPTION

FIG. 1 is an isometric view of a dental solution pen applicator.

FIG. 2 is a left side view of the dental solution pen applicator in a first configuration.

FIG. 3 is a left side view of the dental solution pen applicator in a second configuration.

FIG. 4 is a right side view of the dental solution pen applicator in the first configuration.

FIG. 5 is a right side view of the dental solution pen applicator in the second configuration.

FIG. 6 is a top view of the dental solution pen applicator.

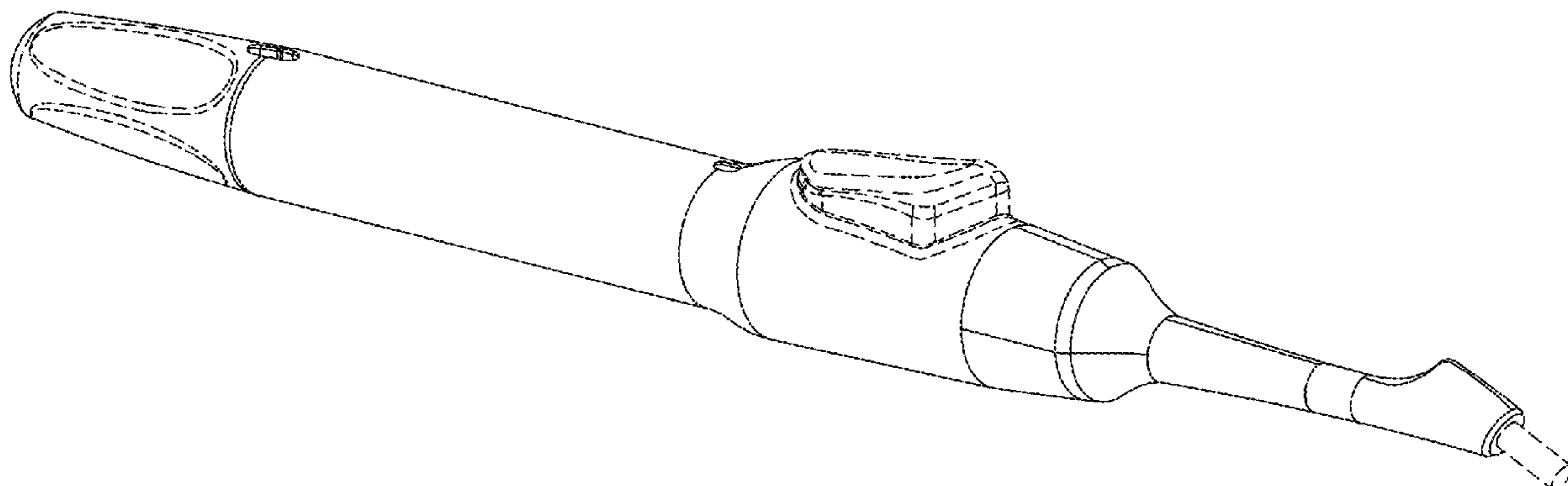
FIG. 7 is a bottom view of the dental solution pen applicator opposite the top view of FIG. 6.

FIG. 8 is an enlarged front view of the dental solution pen applicator; and,

FIG. 9 is an enlarged rear view of the dental solution pen applicator.

The broken lines showing various elements of the dental solution pen applicator are included for the purpose of illustrating non-claimed subject matter and form no part of the claimed design.

1 Claim, 5 Drawing Sheets



(56)

References Cited

U.S. PATENT DOCUMENTS

2016/0324608 A1 11/2016 Frymark et al.
2018/0125220 A1* 5/2018 Korup A61C 19/066

OTHER PUBLICATIONS

Response to Office Action filed Jul. 6, 2017 in Design U.S. Appl.
No. 29/563,672.
Notice of Allowance dated Jul. 24, 2017 in Design U.S. Appl. No.
29/563,672.

* cited by examiner

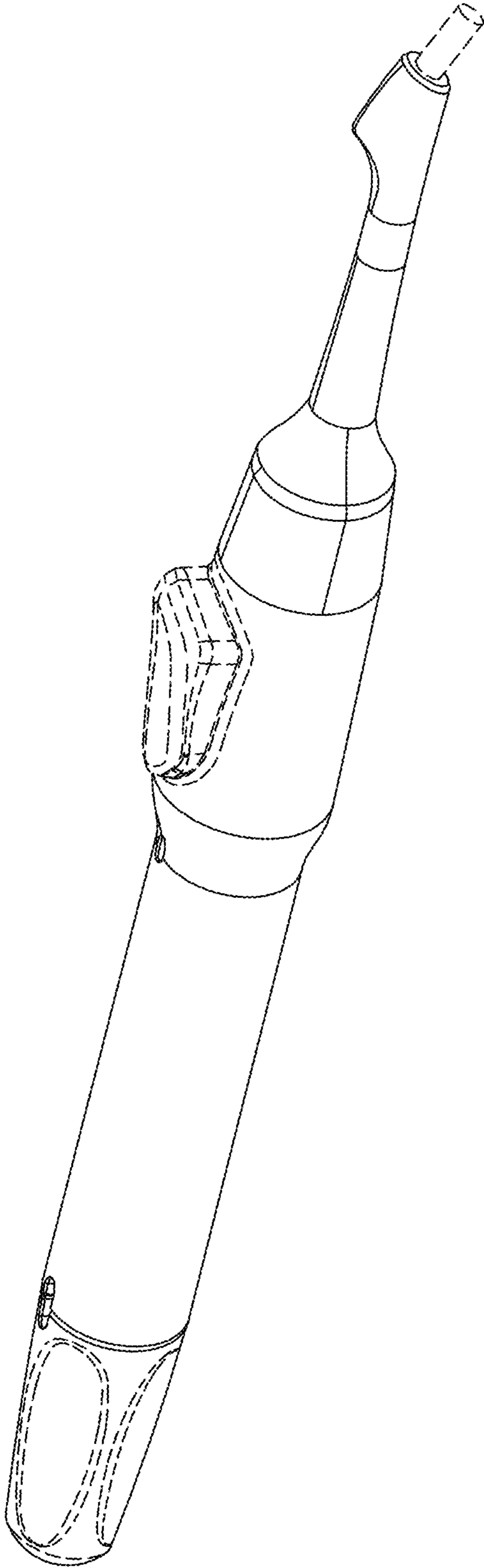


FIG. 1

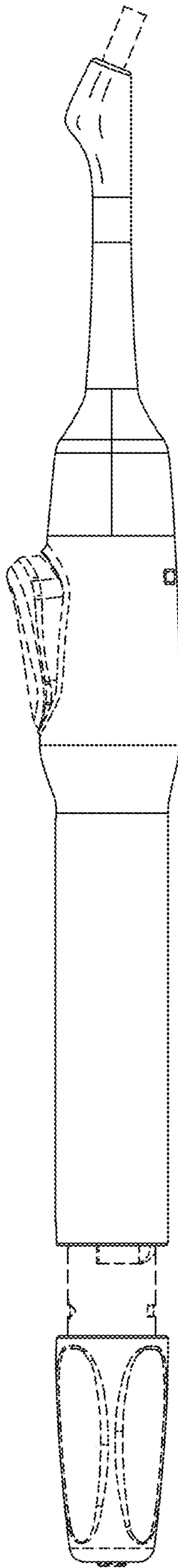


FIG. 2

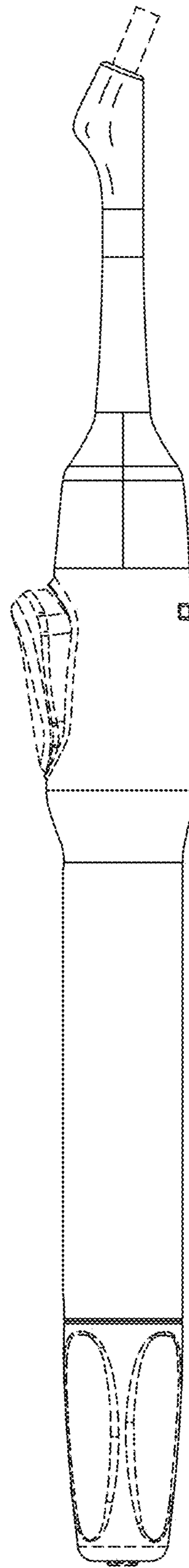


FIG. 3

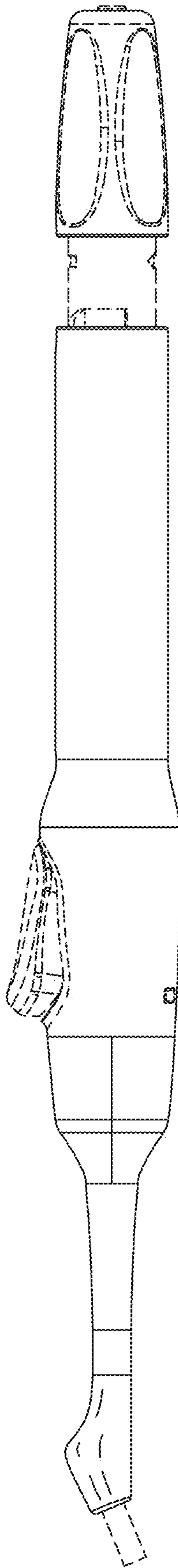


FIG. 4

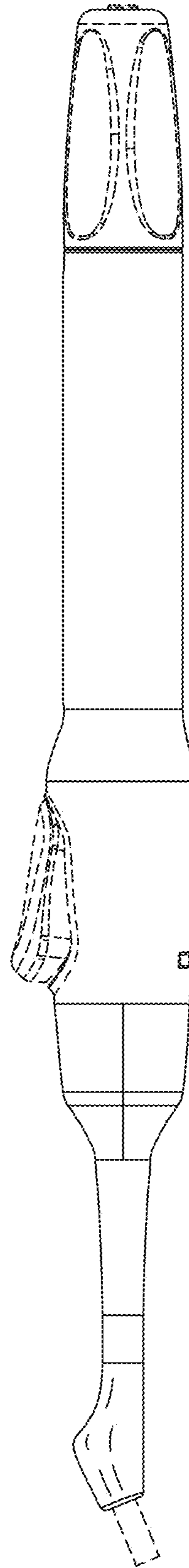


FIG. 5

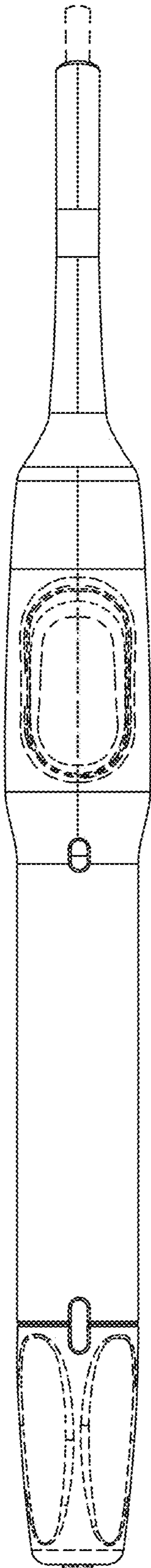


FIG. 6

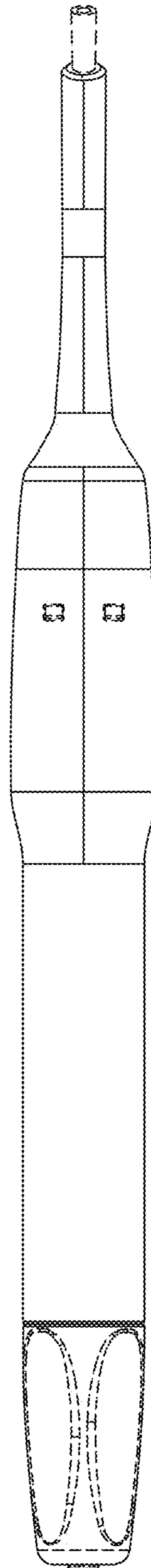


FIG. 7

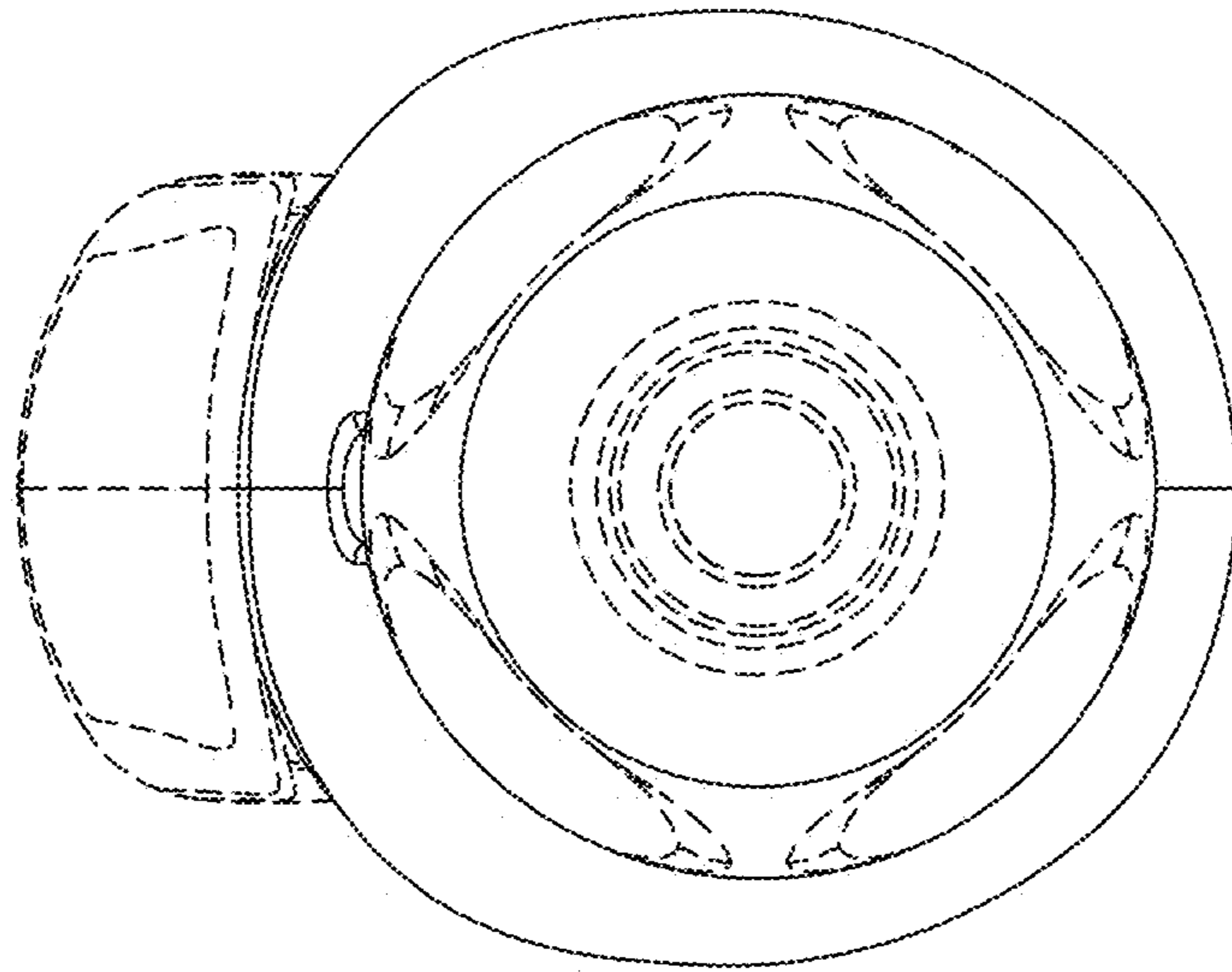


FIG. 9

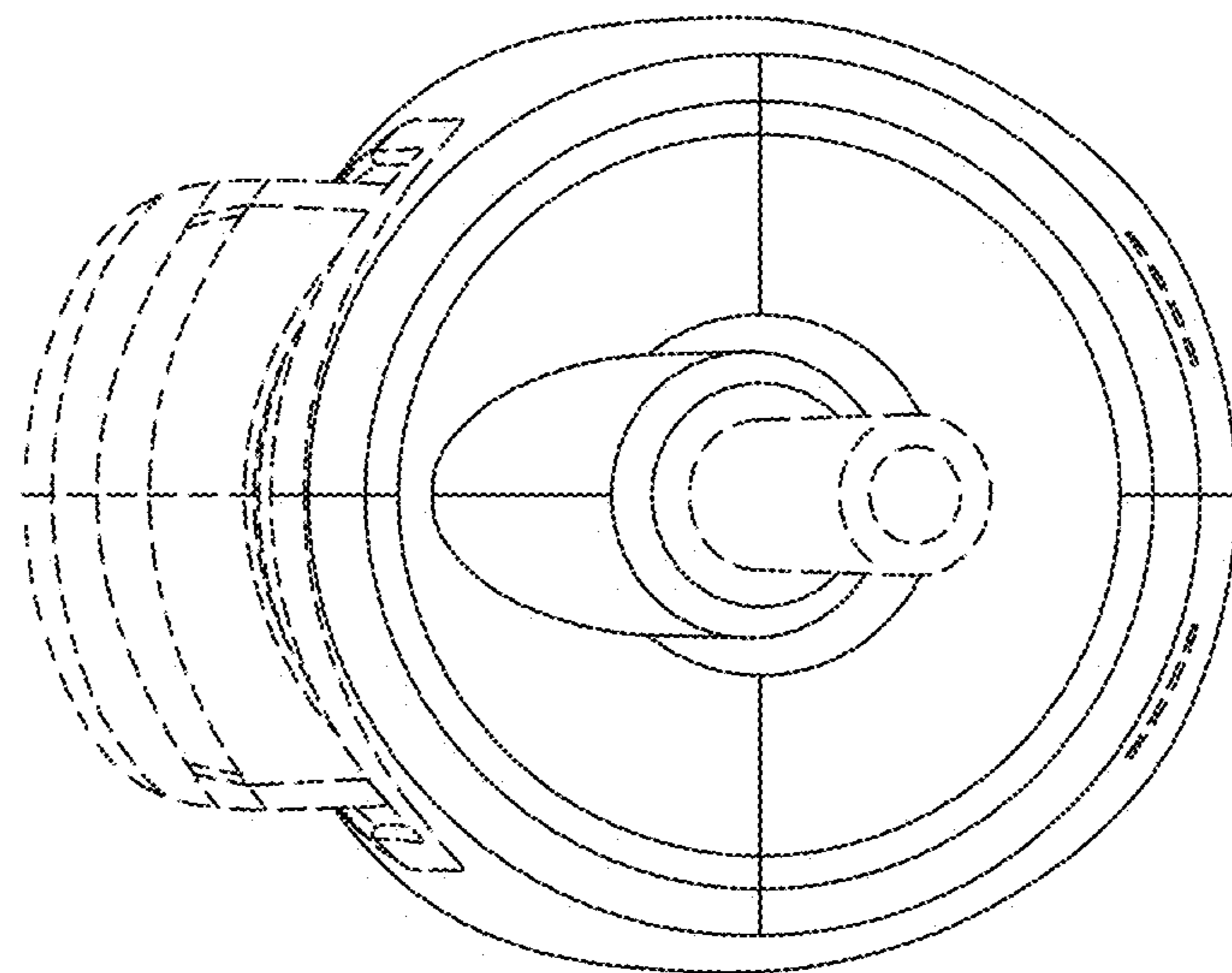


FIG. 8