



US00D879959S

(12) **United States Design Patent**
Reyes

(10) **Patent No.:** **US D879,959 S**
(45) **Date of Patent:** **** Mar. 31, 2020**

(54) **RIGID TONGUE RETRACTOR**

(71) Applicant: **Hari Reyes**, Portland, OR (US)

(72) Inventor: **Hari Reyes**, Portland, OR (US)

(**) Term: **15 Years**

(21) Appl. No.: **29/670,079**

(22) Filed: **Nov. 13, 2018**

Related U.S. Application Data

(63) Continuation-in-part of application No. 15/052,787, filed on Feb. 24, 2016, now abandoned.

(51) **LOC (12) Cl.** **24-02**

(52) **U.S. Cl.**
USPC **D24/135**

(58) **Field of Classification Search**
USPC D24/135, 136, 133, 140
CPC A61B 13/00; A61B 2090/0817; A61C 17/043

See application file for complete search history.

(56) **References Cited**

U.S. PATENT DOCUMENTS

D391,370 S * 2/1998 Cho D24/147
D411,883 S * 7/1999 Farascioni D24/135

D594,122 S * 6/2009 Mettler, Jr. D24/136
9,198,738 B2 * 12/2015 Gordon A61B 13/00
D789,530 S * 6/2017 Casey A61B 17/0206
D24/135
2013/0288196 A1 * 10/2013 Gordon A61C 1/12
433/93
2017/0245843 A1 * 8/2017 Reyes A61B 13/00
2019/0083074 A1 * 3/2019 Reyes A61B 13/00

* cited by examiner

Primary Examiner — Bridget L Eland

(74) *Attorney, Agent, or Firm* — Mark S Hubert

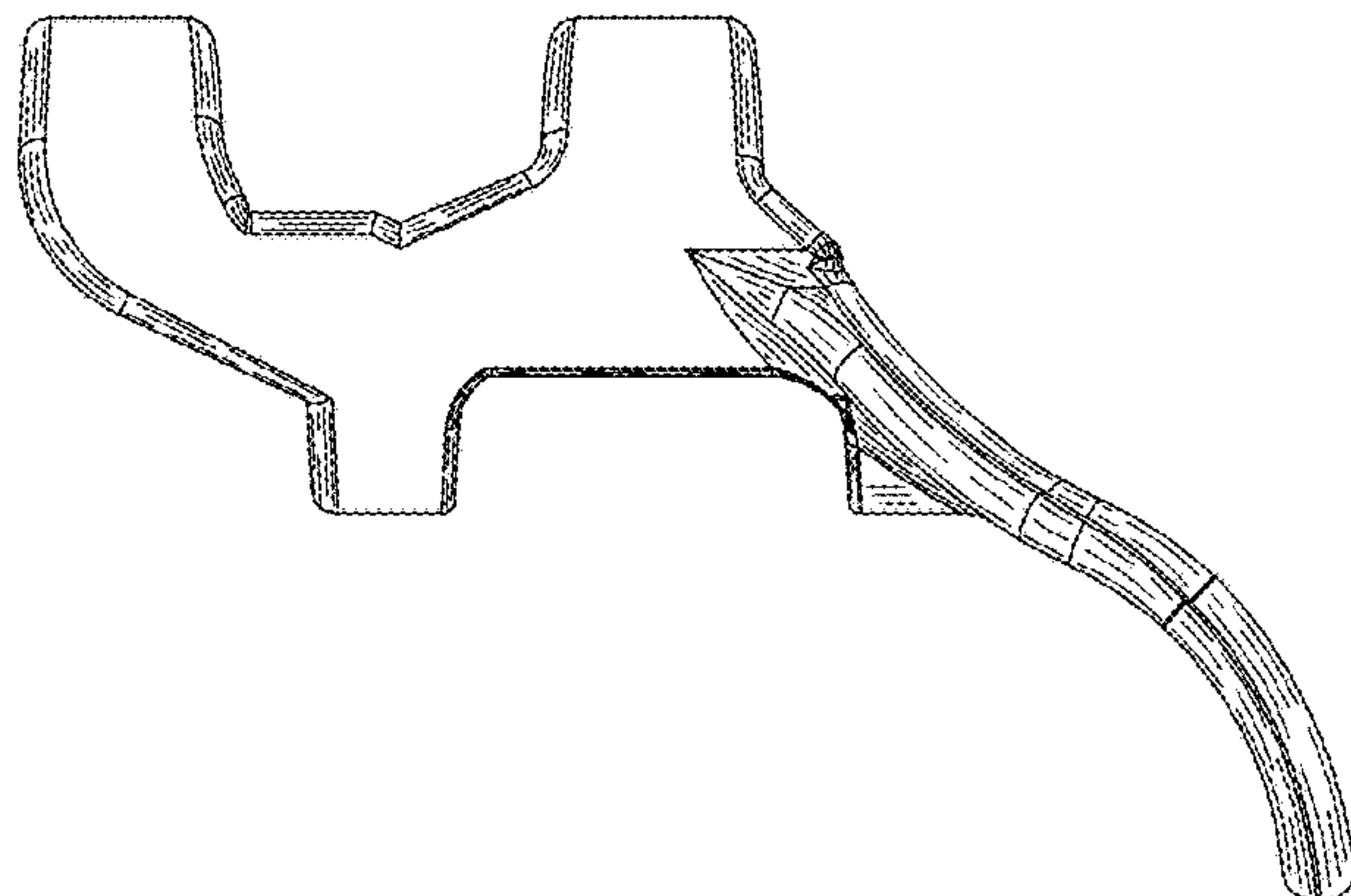
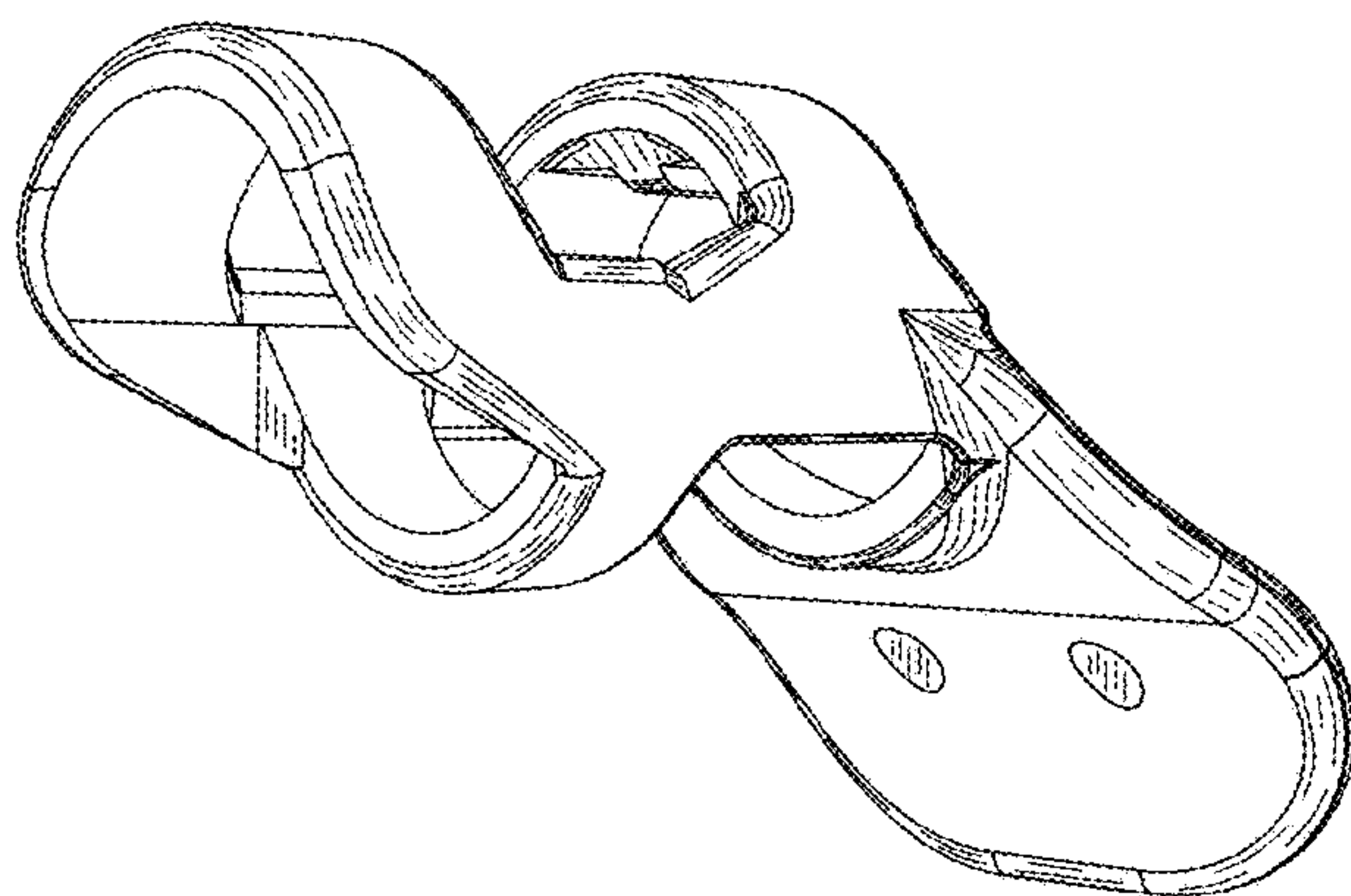
(57) **CLAIM**

I claim the ornamental design for the rigid tongue retractor, as shown and described.

DESCRIPTION

FIG. 1 is a side perspective view of the rigid tongue retractor showing my new design;
FIG. 2 is a top perspective view of the rigid tongue retractor
FIG. 3 is a top view of the rigid tongue retractor;
FIG. 4 is a front side view of the rigid tongue retractor;
FIG. 5 is a bottom view of the rigid tongue retractor;
FIG. 6 is a right-side view of the rigid tongue retractor;
FIG. 7 is a back side view of the rigid tongue retractor; and,
FIG. 8 is a left-side view of the rigid tongue retractor.
The shading throughout the views is intended to indicate surface contour.

1 Claim, 3 Drawing Sheets



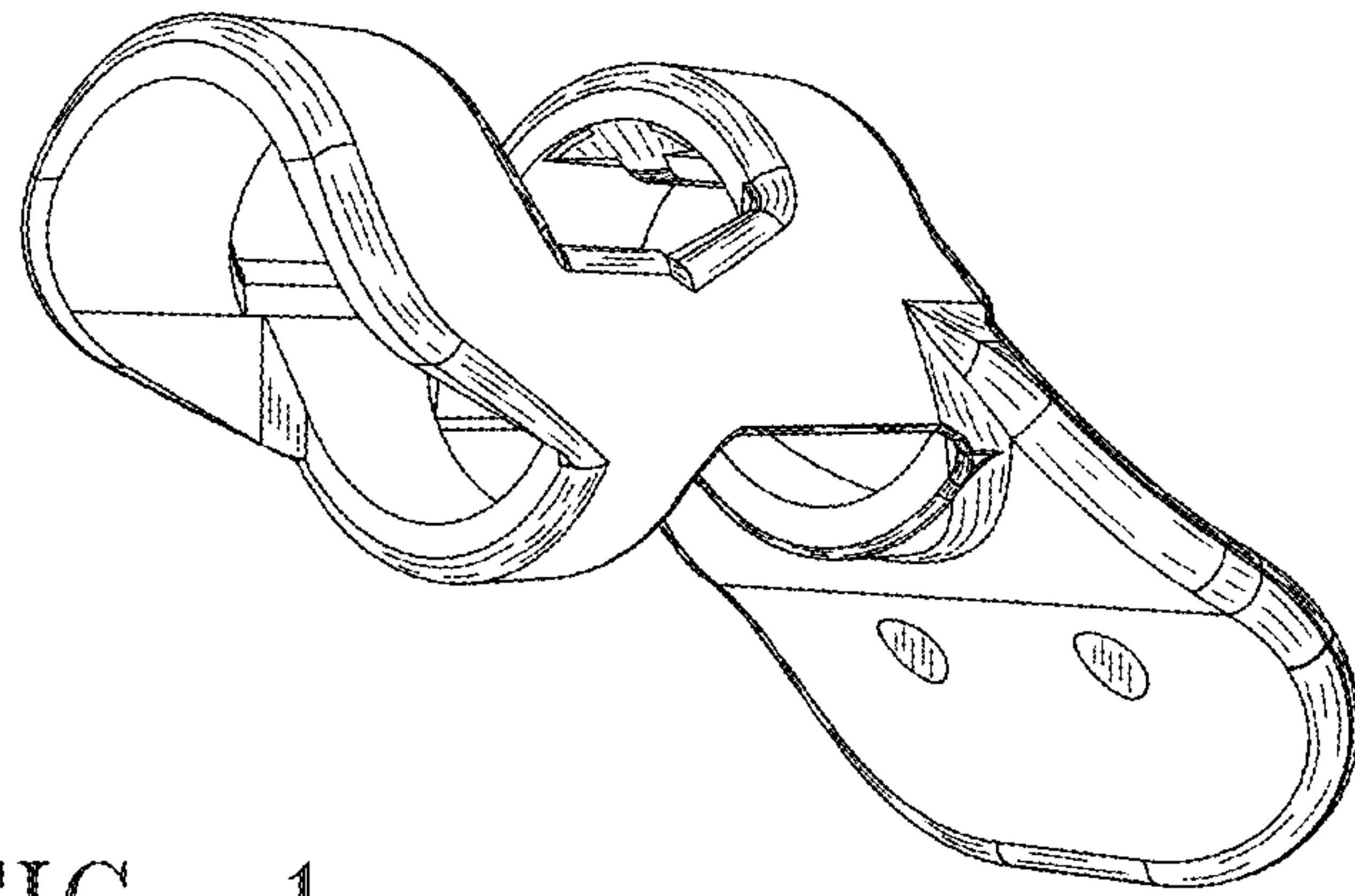


FIG. 1

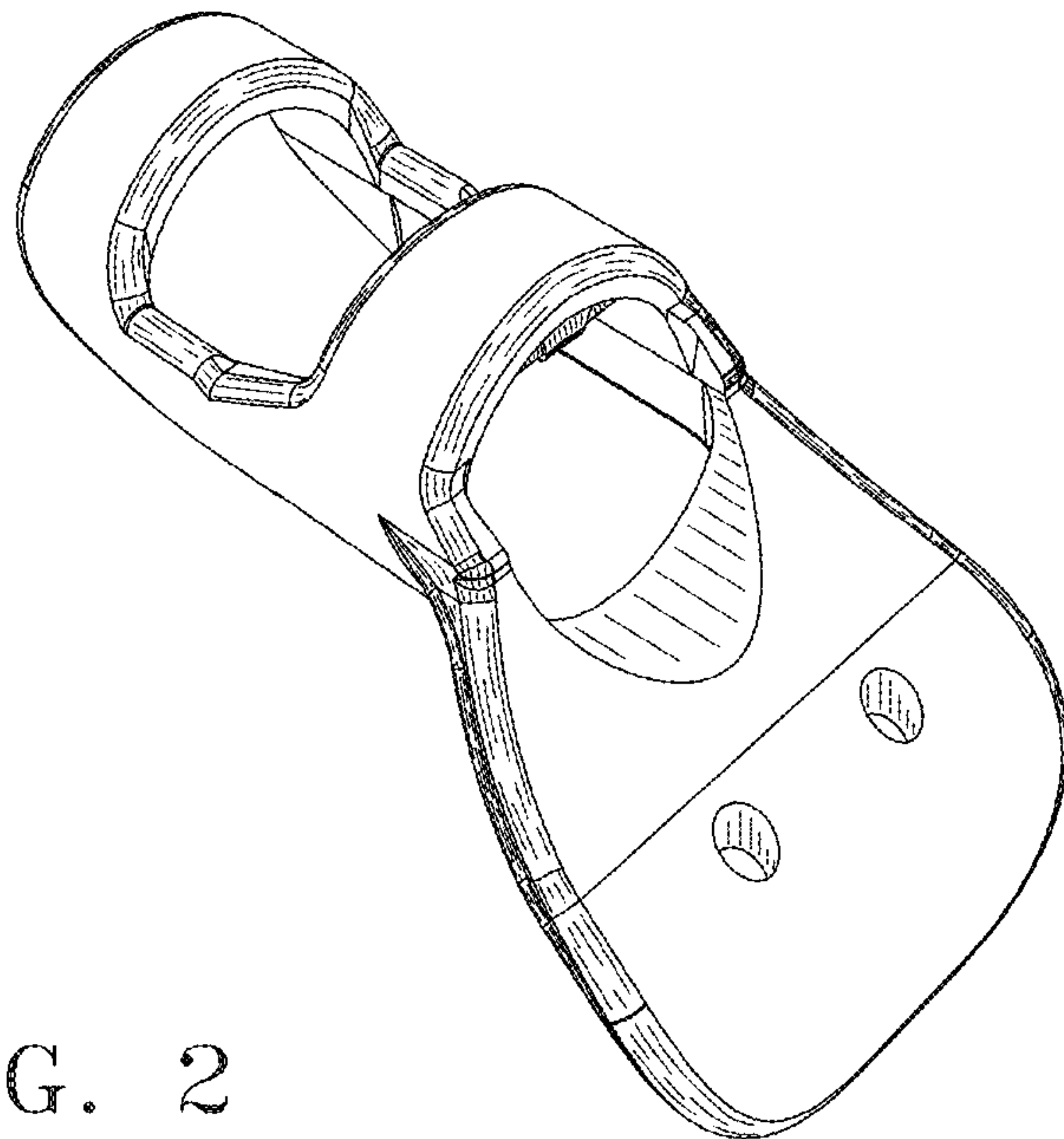


FIG. 2

FIG. 3

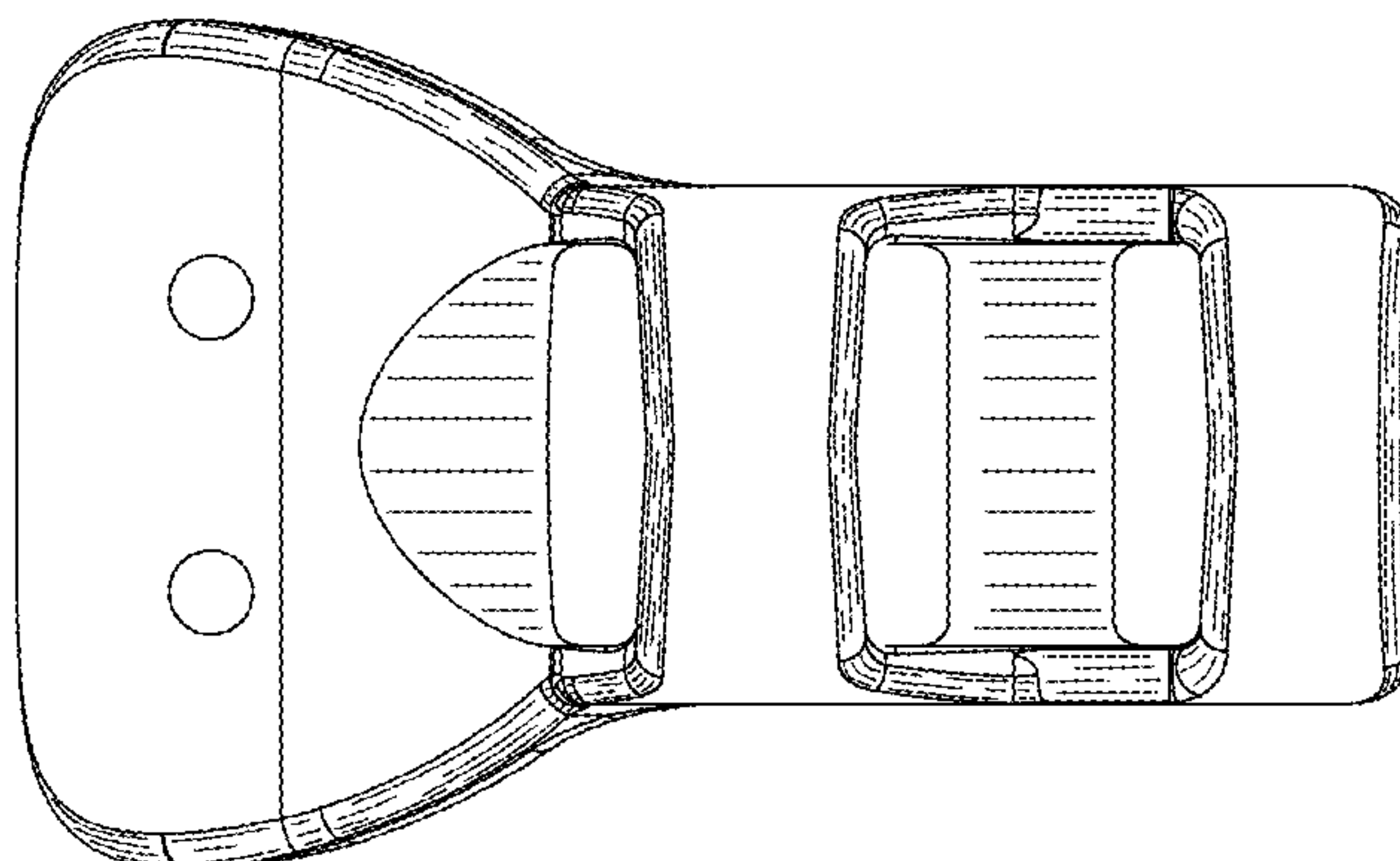


FIG. 4

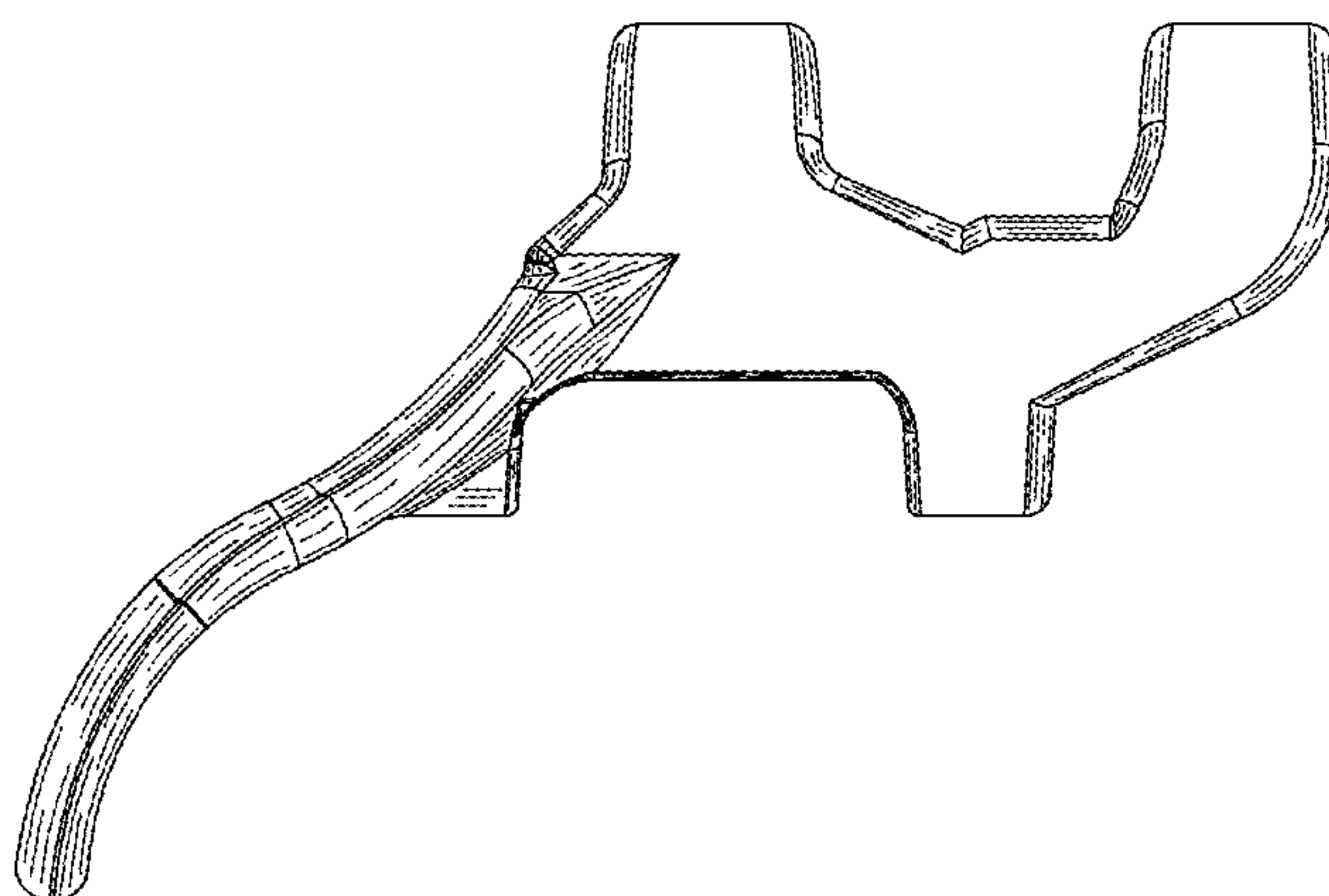


FIG. 5

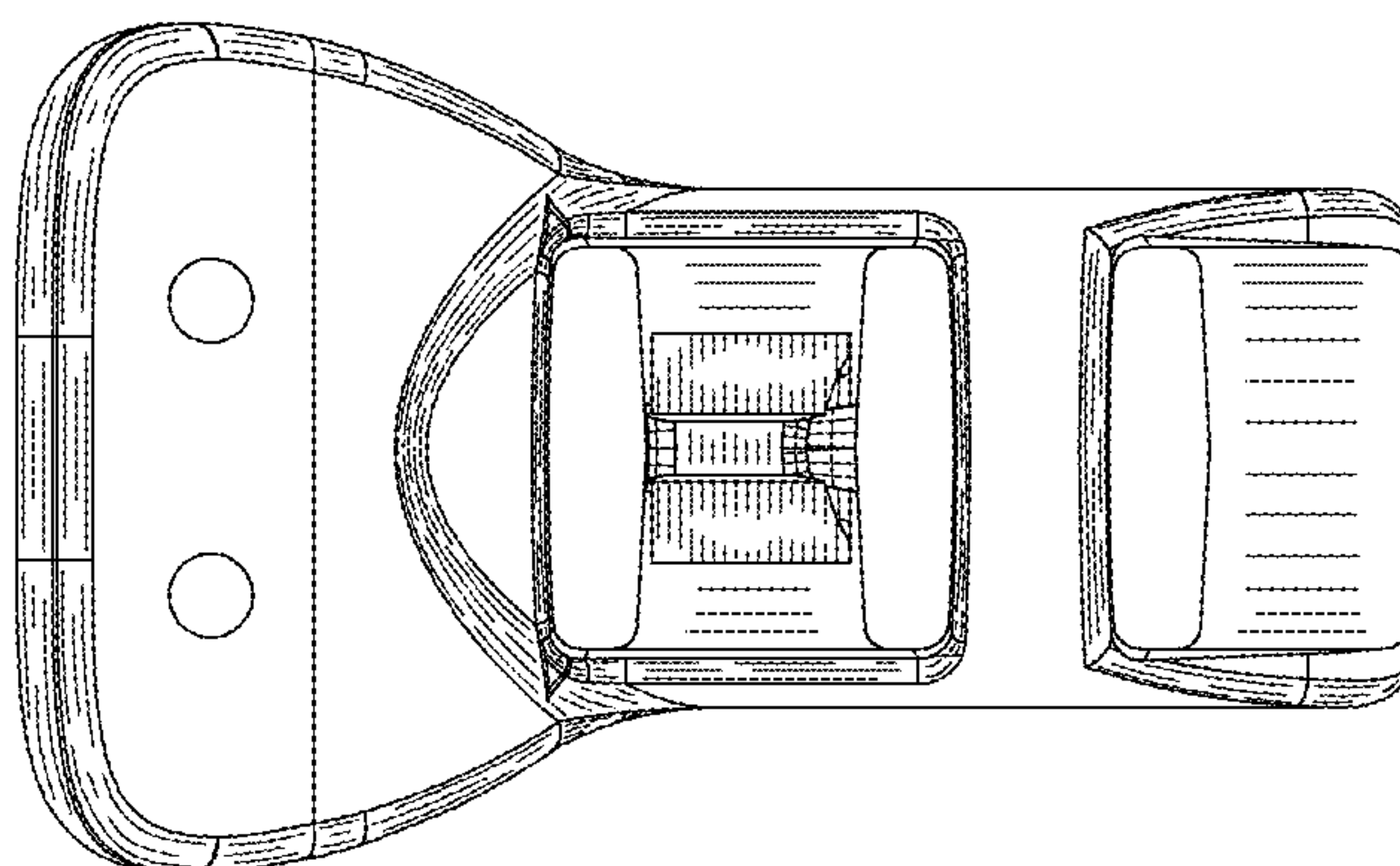


FIG. 6

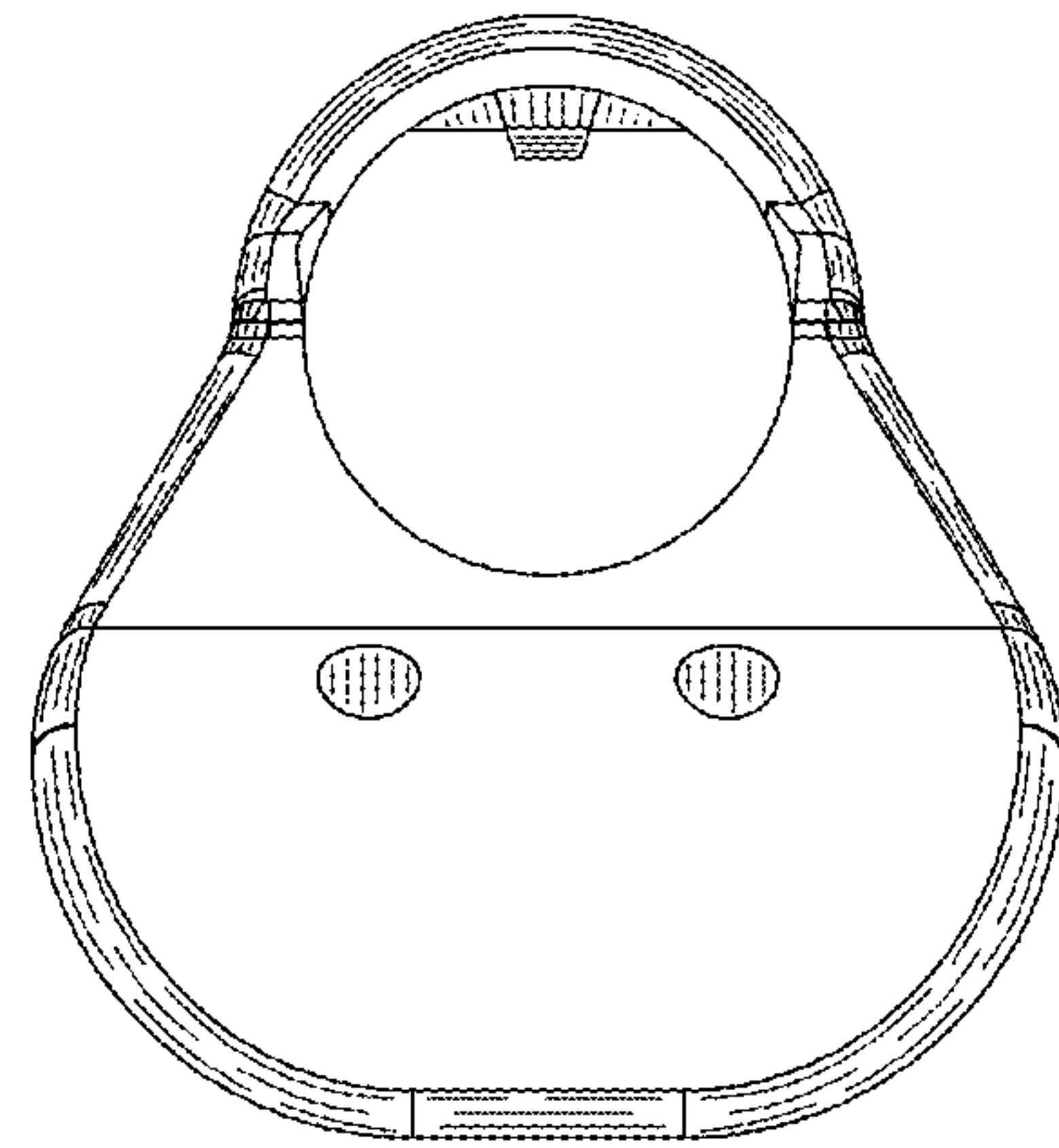


FIG. 7

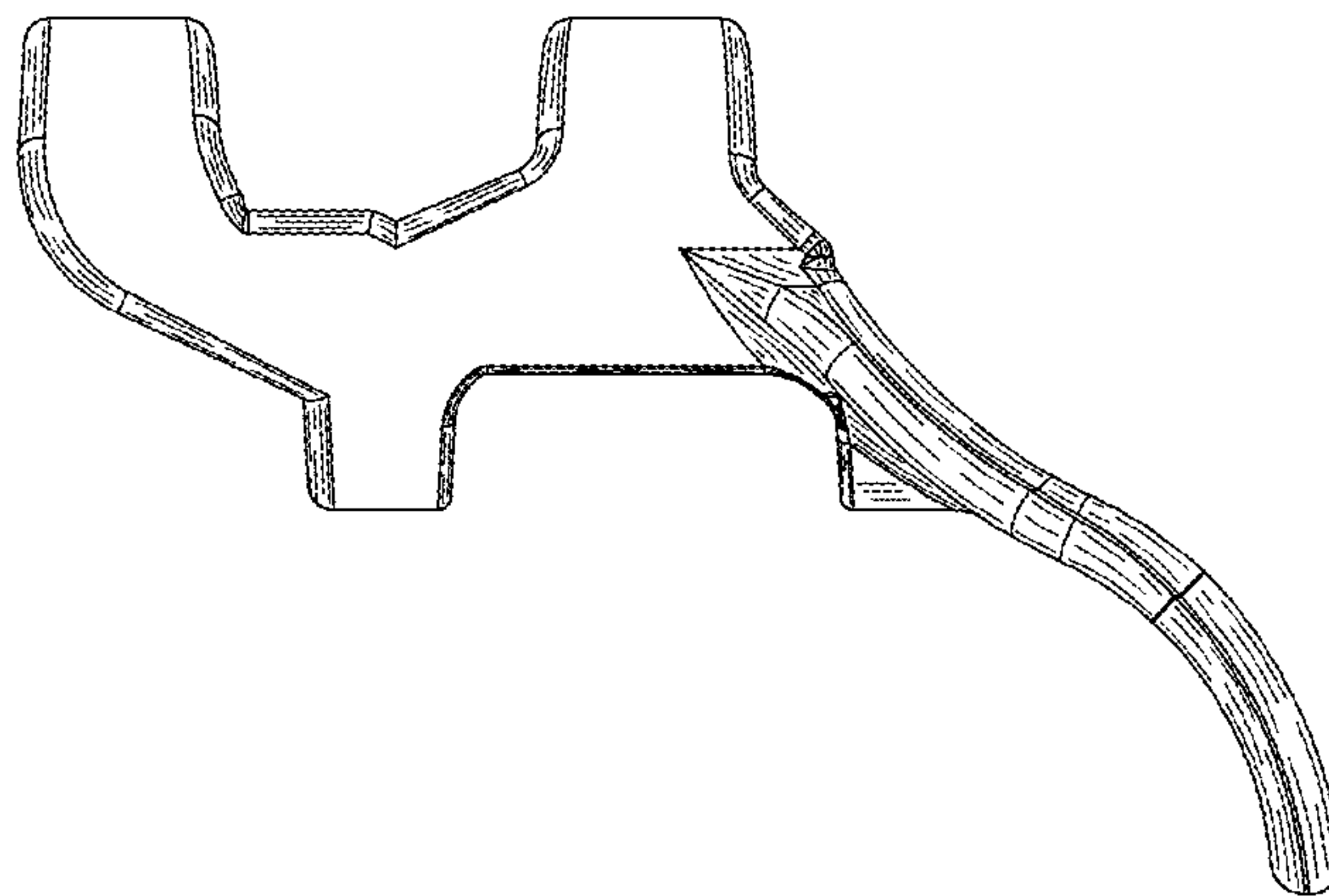


FIG. 8

