



US00D879957S

(12) **United States Design Patent**
Zabar et al.

(10) **Patent No.:** **US D879,957 S**
(45) **Date of Patent:** **** Mar. 31, 2020**

- (54) **DISTAL TIP OF AN ATHERECTOMY / THROMBECTOMY CATHETER WITH SUCTION PORT**
- (71) Applicant: **EXIMO MEDICAL LTD.**, Rehovot (IL)
- (72) Inventors: **Yoel Zabar**, Nes Ziona (IL); **Ilan Ben-Oren**, Modi'in (IL)
- (73) Assignee: **AngioDynamics, Inc.**, Latham, NY (US)
- (**) Term: **15 Years**
- (21) Appl. No.: **29/619,741**
- (22) Filed: **Oct. 2, 2017**
- (51) **LOC (12) Cl.** **24-02**
- (52) **U.S. Cl.**
USPC **D24/130**
- (58) **Field of Classification Search**
USPC D24/127-131, 112-114, 133, 186; 606/181, 185; 604/264, 523-528, 272, 604/187, 158, 164.01-164.11, 181, 184, 604/227; 600/101, 139, 143; 128/200.24, 207.14, 207.15
CPC A61M 25/00; A61M 39/00; A61M 27/00; A61M 25/0043; A61M 25/0067; A61M 25/0097; A61F 2/958
See application file for complete search history.

- (56) **References Cited**
U.S. PATENT DOCUMENTS
5,102,401 A * 4/1992 Lambert A61L 29/085 604/264
5,569,293 A * 10/1996 Yoon A61B 17/3417 604/165.02
5,976,120 A * 11/1999 Chow A61M 25/0012 604/525

- 6,146,354 A * 11/2000 Beil A61M 25/0032 604/28
- 6,440,061 B1 * 8/2002 Wenner A61B 1/3132 600/114
- 6,849,062 B2 * 2/2005 Kantor A61M 25/0023 604/103.04
- 6,966,889 B2 * 11/2005 Saab A61F 7/123 604/264
- 7,276,043 B2 * 10/2007 Heath A61M 25/0023 604/43
- 7,794,448 B2 * 9/2010 Grandt A61M 25/0009 604/524
- 7,850,675 B2 * 12/2010 Bell A61M 25/0045 604/523
- 7,955,330 B2 * 6/2011 Platt A61B 18/042 604/20
- 8,128,595 B2 * 3/2012 Walker A61M 25/00 604/113
- 8,211,087 B2 * 7/2012 Carter A61B 1/018 604/164.13
- 8,211,088 B2 * 7/2012 Dicarlo A61M 25/0023 604/523

(Continued)

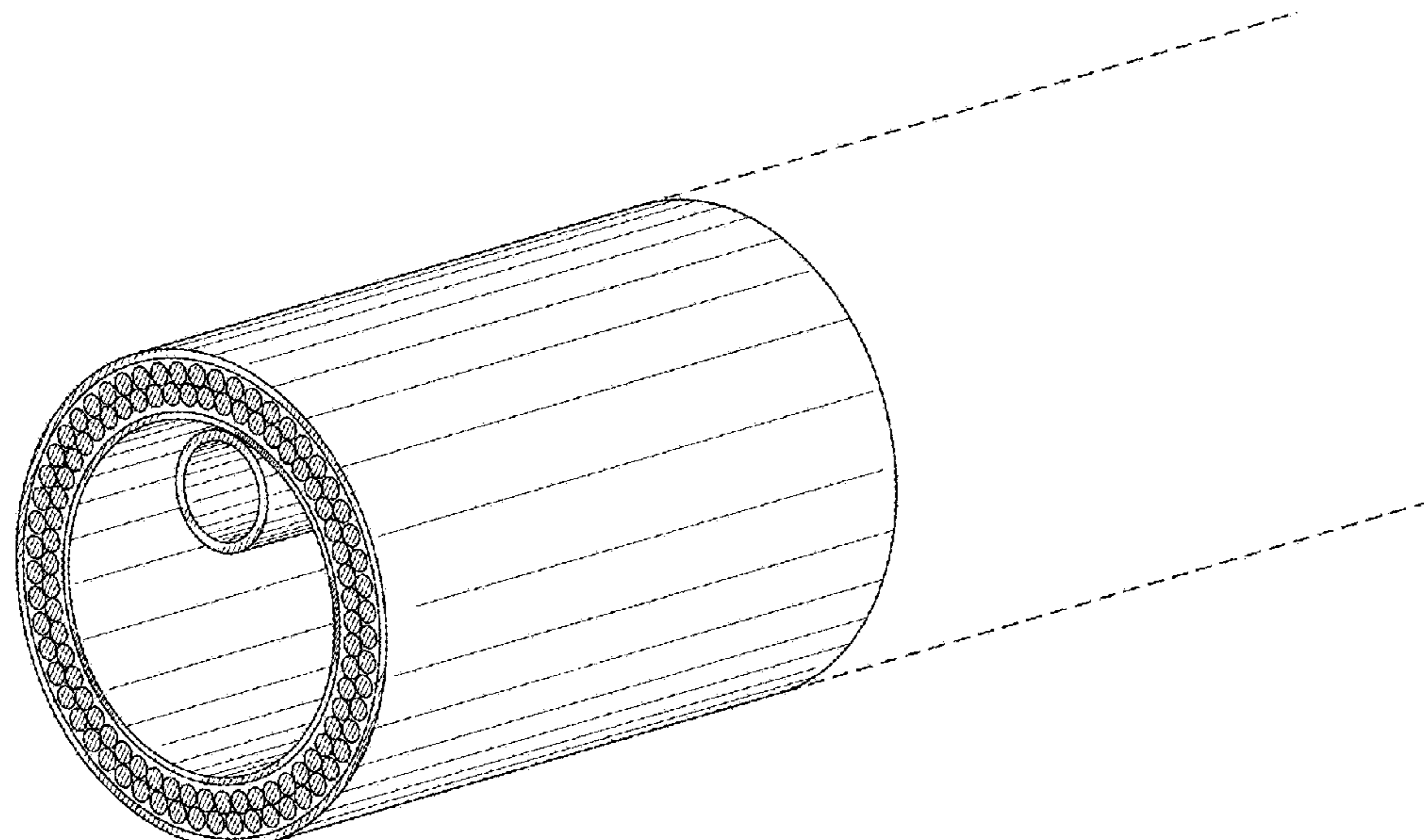
Primary Examiner — David G Muller
(74) *Attorney, Agent, or Firm* — Peter J. Flora

(57) **CLAIM**
The ornamental design for a distal tip of an atherectomy/thrombectomy catheter with suction port, as shown and described.

DESCRIPTION

FIG. 1 is a perspective view of a distal tip of an atherectomy / thrombectomy catheter with suction port in accordance with the new design; FIG. 2 is a front view thereof; and, FIG. 3 is a side view thereof. The features shown in the broken lines depict environmental structure only and form no part of the claimed design.

1 Claim, 3 Drawing Sheets



(56)

References Cited

U.S. PATENT DOCUMENTS

8,430,988 B2 * 4/2013 Patterson A61M 25/0012
156/296
8,784,402 B1 * 7/2014 Lareau A61L 29/14
524/423

* cited by examiner

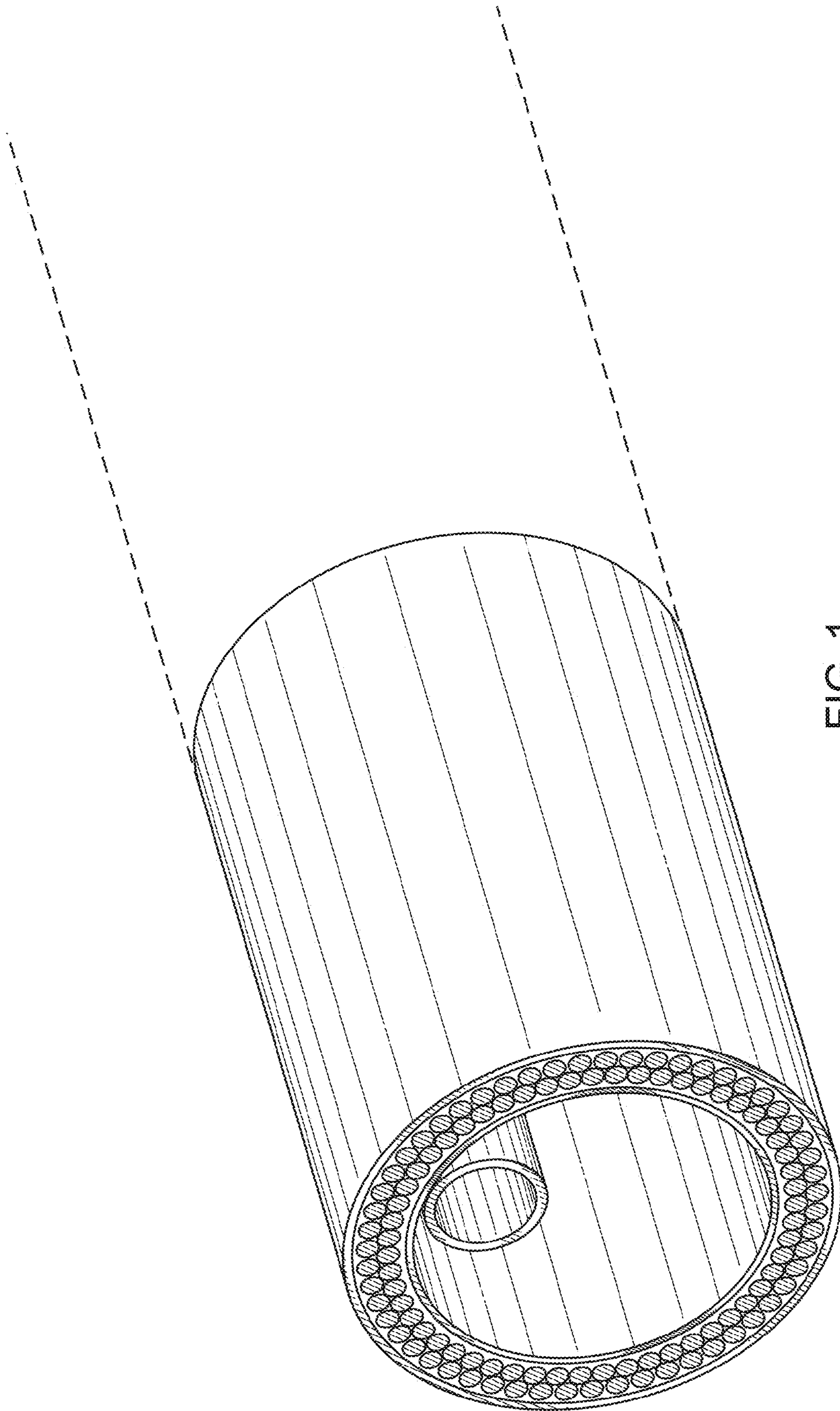


FIG. 1

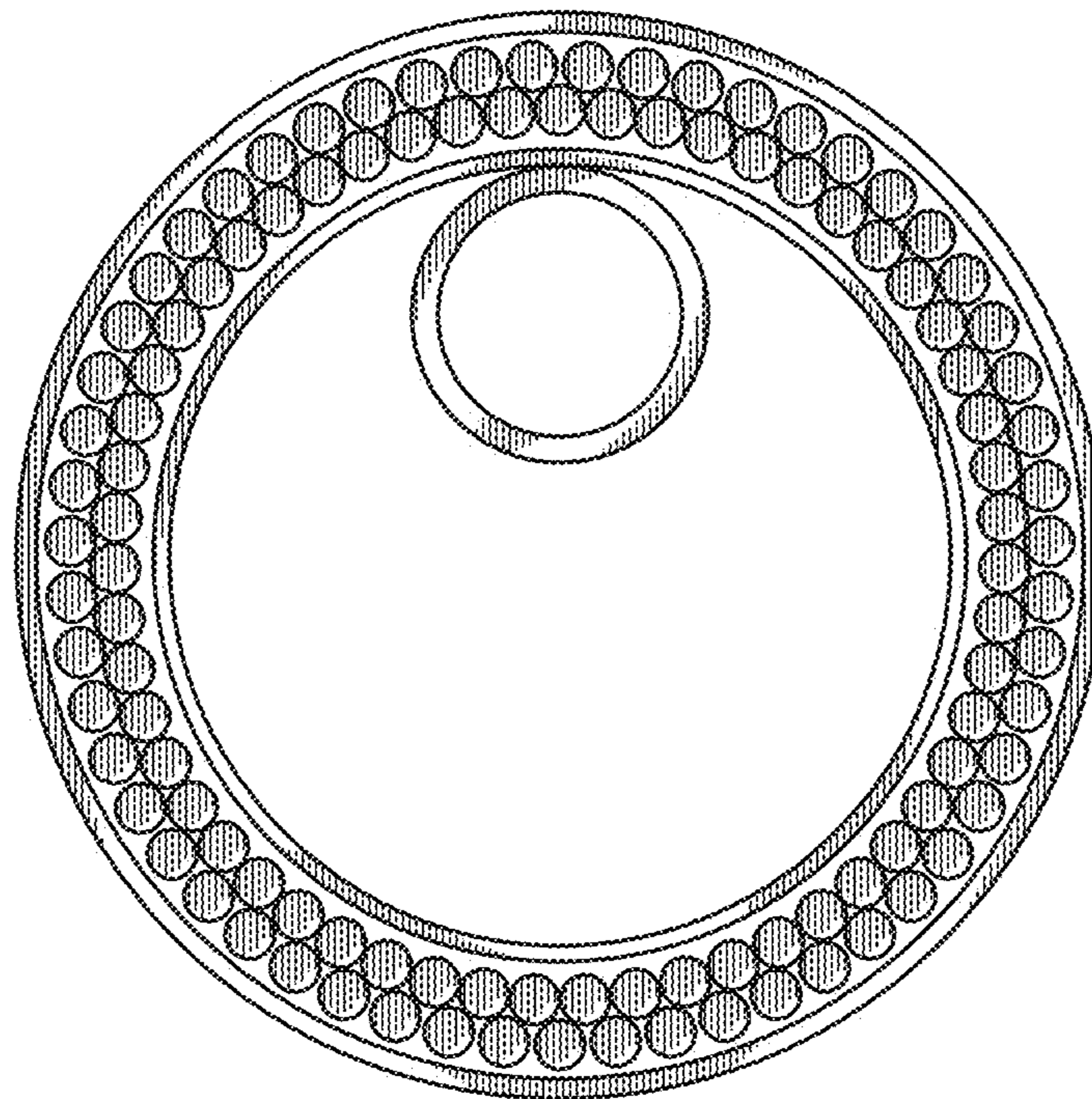


FIG. 2

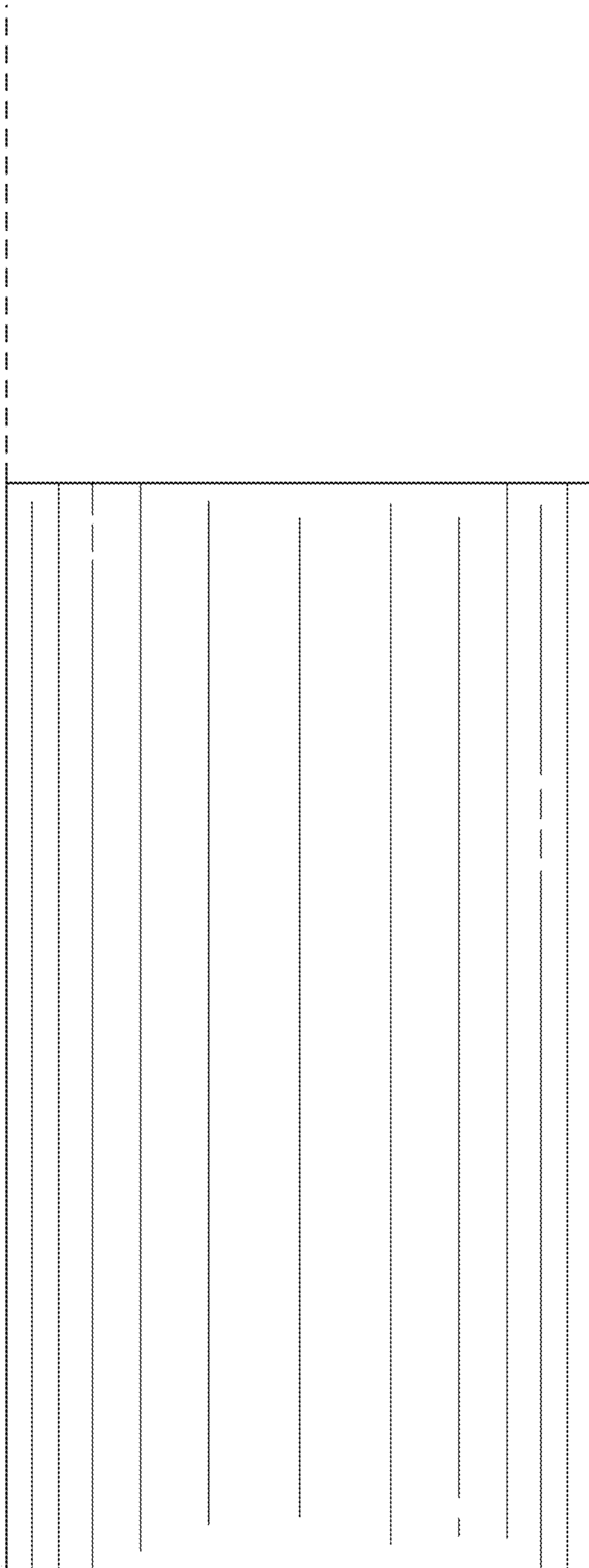


FIG. 3