



US00D879953S

(12) **United States Design Patent**
Ljunglöf et al.

(10) **Patent No.:** **US D879,953 S**
(45) **Date of Patent:** **** Mar. 31, 2020**

(54) **CATHETER PACKAGE WITH COLLECTION BAG**

(71) Applicant: **DENTSPLY IH AB**, Mölndal (SE)

(72) Inventors: **Gustaf Ljunglöf**, Göteborg (SE); **Dan Garhamn**, Kungsbacka (SE)

(73) Assignee: **DENTSPLY IH AB**, Mölndal (SE)

(**) Term: **15 Years**

(21) Appl. No.: **29/623,125**

(22) Filed: **Oct. 23, 2017**

(30) **Foreign Application Priority Data**

Apr. 24, 2017 (EM) 003869932

(51) **LOC (12) Cl.** **24-02**

(52) **U.S. Cl.**
USPC **D24/117; D24/118**

(58) **Field of Classification Search**
USPC D24/112-114, 118, 108, 130, 127, 133,
D24/186; 606/181, 185; 604/264,
604/523-528, 272, 164.01-164.11, 187,
604/93.01; 600/101, 139, 143;
128/200.24, 207.14, 207.15
CPC .. A61M 25/065; A61M 5/42; A61M 25/0612;
A61M 25/00; A61M 39/00; A61M 27/00;
A61M 25/0043; A61M 25/0067; A61M
25/0097; A61F 2/958
See application file for complete search history.

(56) **References Cited**

U.S. PATENT DOCUMENTS

D324,566 S * 3/1992 Schmidt D24/118
5,445,630 A * 8/1995 Richmond A61M 5/162
604/403
D400,245 S * 10/1998 Niedospial, Jr. D24/118
D497,205 S * 10/2004 Kubalak D24/118

D499,017 S * 11/2004 Nestenborg D24/112
D508,128 S * 8/2005 Kubalak D24/118
D576,274 S * 9/2008 Engstrom D24/118
D594,115 S * 6/2009 Osterlin D24/117
D595,842 S * 7/2009 Haga D24/117
D612,936 S * 3/2010 Cremonese D24/118
D687,949 S * 8/2013 Ueda D24/118
D784,518 S * 4/2017 Tremolada D24/118
D785,165 S * 4/2017 Nordquist D24/118

FOREIGN PATENT DOCUMENTS

EM 000090741 2/2004
EM 000187448 8/2004
EM 000848031 12/2007
EM 000848031-0003 12/2007
EM 000848031-0004 12/2007

OTHER PUBLICATIONS

Australian Design Examination Report No. 1, Application No. 201716226, dated Jan. 7, 2018 (4 pages).

* cited by examiner

Primary Examiner — David G Muller
(74) *Attorney, Agent, or Firm* — Perkins Coie LLP

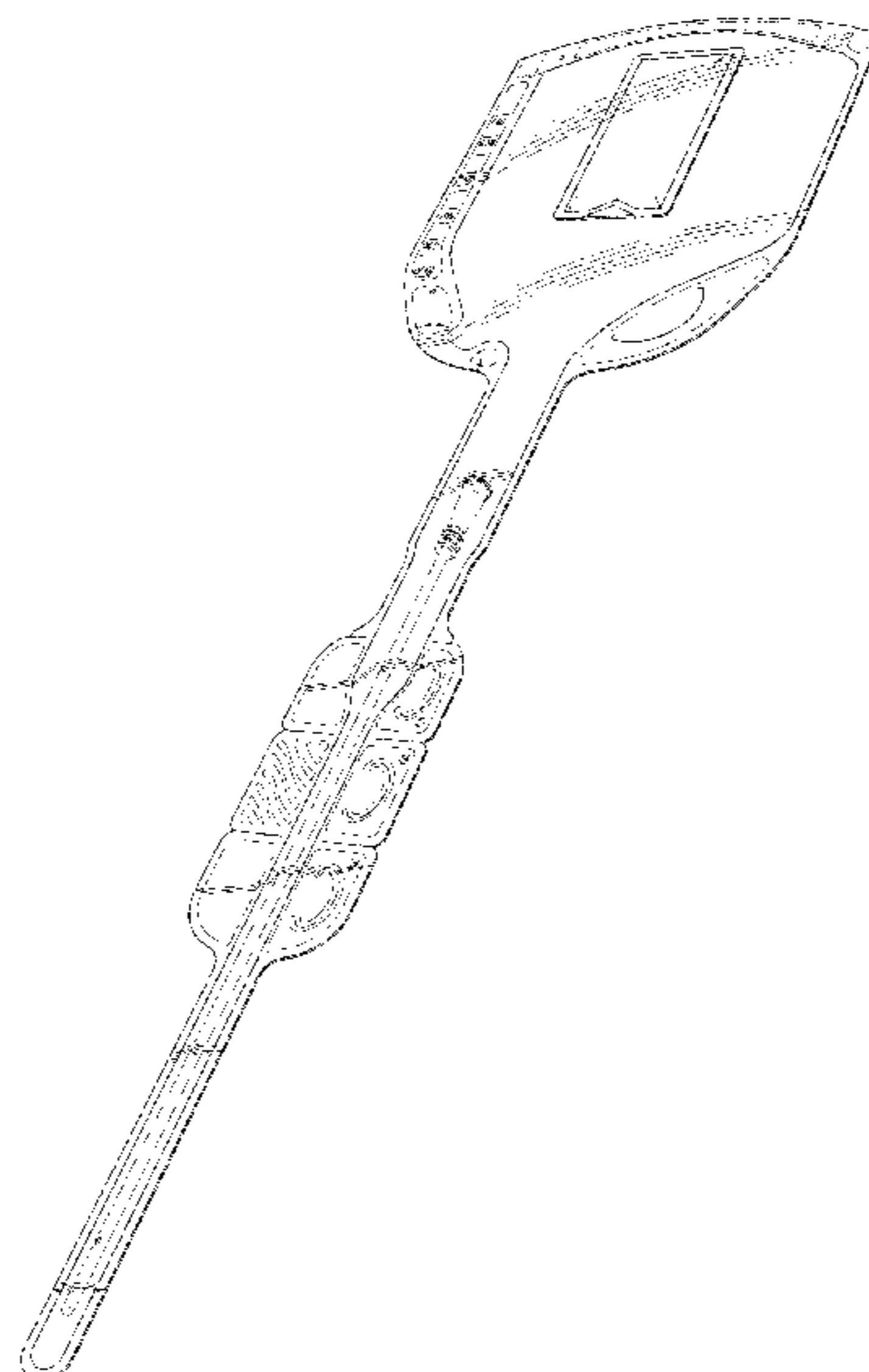
(57) **CLAIM**

The ornamental design for a catheter package with collection bag, as shown and described.

DESCRIPTION

FIG. 1 is a perspective view of a first embodiment of a catheter package with collection bag showing our new design;
FIG. 2 is a left side elevational view thereof;
FIG. 3 is an enlarged top plan view thereof;
FIG. 4 is a front plan view thereof;
FIG. 5 is a rear elevational view thereof;
FIG. 6 is an enlarged bottom plan view thereof; and,
FIG. 7 is a right side elevational view thereof.

1 Claim, 5 Drawing Sheets



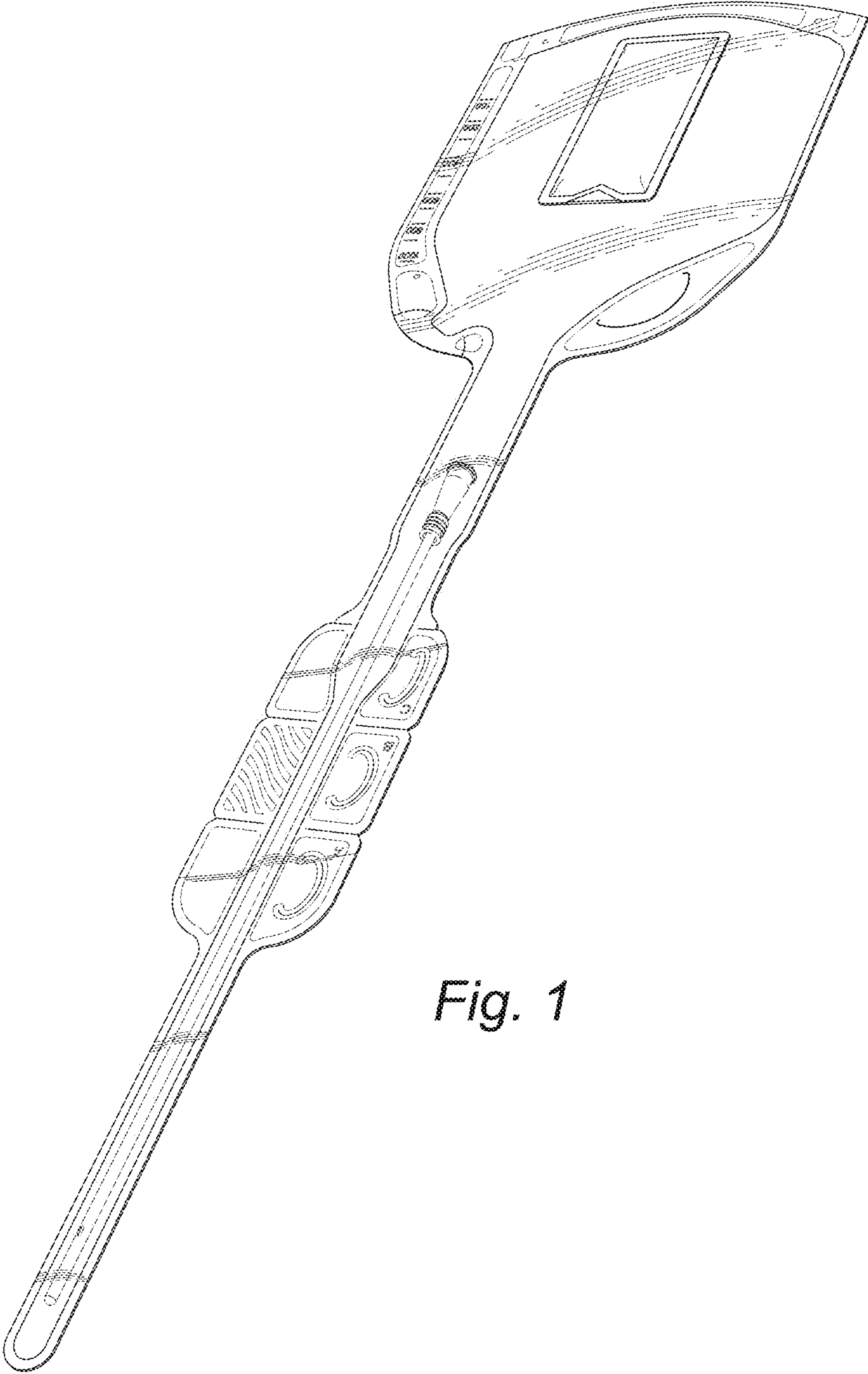


Fig. 1



Fig. 2

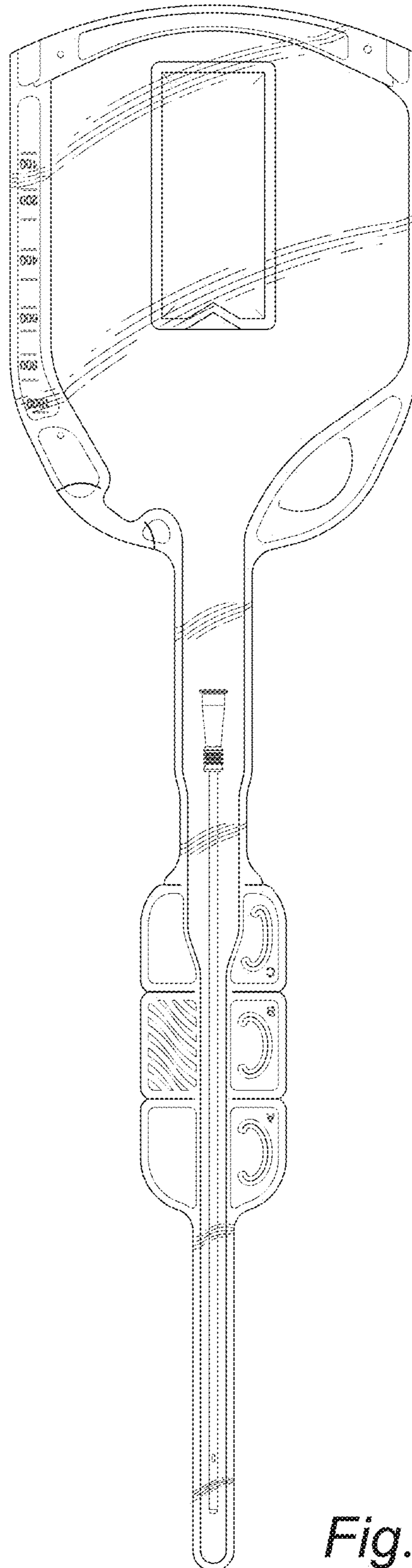


Fig. 4

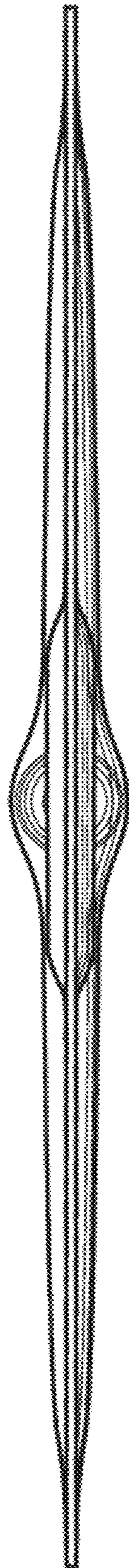


Fig. 3

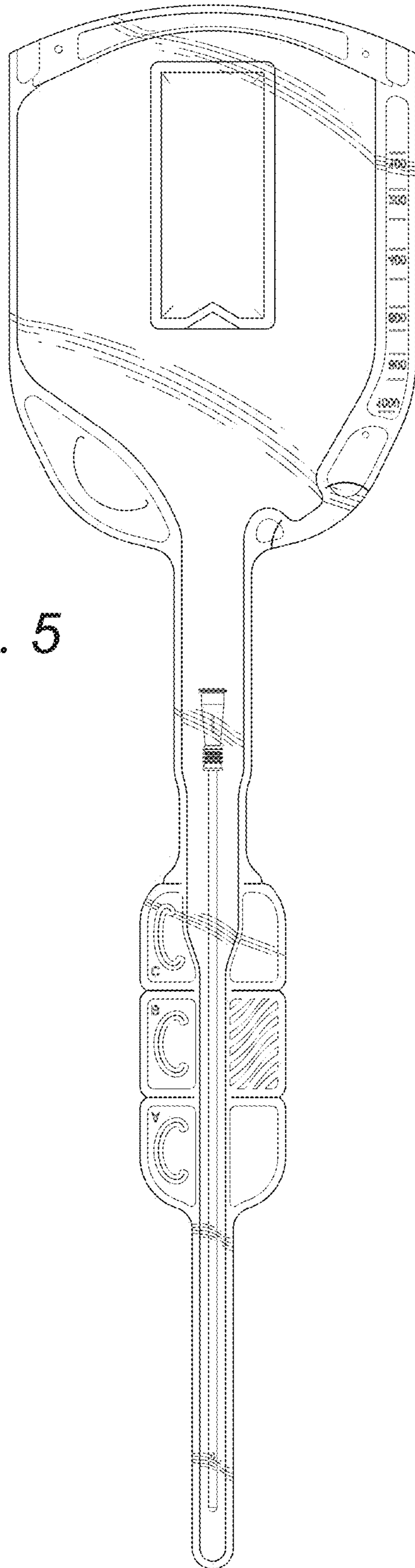


Fig. 5

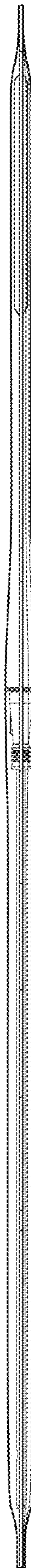


Fig. 7

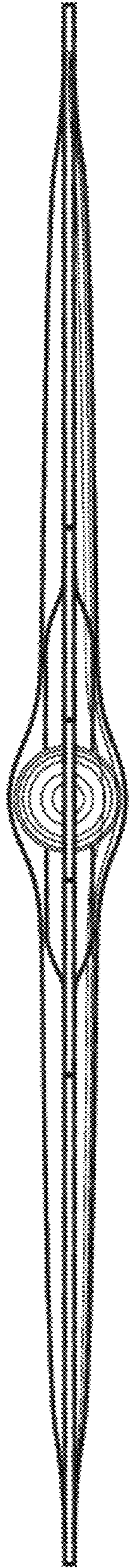


Fig. 6