



US00D879952S

(12) **United States Design Patent**  
**Schneider et al.**

(10) **Patent No.:** **US D879,952 S**  
(45) **Date of Patent:** **\*\* Mar. 31, 2020**

- (54) **POWDER DELIVERY DEVICE**
- (71) Applicant: **Ethicon LLC**, Guaynabo, PR (US)
- (72) Inventors: **Jared Schneider**, Raritan, NJ (US);  
**John Goodman**, Ann Arbor, MI (US);  
**Alex Kiturkes**, Mountain View, CA (US)
- (73) Assignee: **Ethicon LLC**, Guaynabo, PR (US)
- (\*\*) Term: **15 Years**
- (21) Appl. No.: **29/697,840**
- (22) Filed: **Jul. 11, 2019**

**Related U.S. Application Data**

- (62) Division of application No. 29/613,509, filed on Aug. 10, 2017, now Pat. No. Des. 867,581.
- (51) **LOC (12) Cl.** ..... **24-02**
- (52) **U.S. Cl.**  
USPC ..... **D24/112**
- (58) **Field of Classification Search**  
USPC ..... D24/127-131, 112-115, 133, 186;  
606/181, 185; 604/264, 523-528, 272,  
604/187, 158, 164.01-164.11, 181, 184,  
604/227; 600/101, 139, 143;  
128/200.24, 207.14, 207.15  
CPC .. A61M 25/065; A61M 5/42; A61M 25/0612;  
A61M 25/00; A61M 39/00; A61M 27/00;  
A61M 25/0043; A61M 25/0067; A61M  
25/0097; A61F 2/958  
See application file for complete search history.

(56) **References Cited**

**U.S. PATENT DOCUMENTS**

- 2,717,598 A 9/1955 Krasno
- 3,473,524 A \* 10/1969 Drewe ..... A61M 3/00  
600/578

- 3,802,435 A \* 4/1974 Claasen ..... A61M 3/00  
604/200
- 3,938,514 A \* 2/1976 Boucher ..... A61M 1/0011  
604/28
- D243,122 S \* 1/1977 Dash ..... D24/115
- D253,374 S \* 11/1979 Bonk ..... 604/216
- D269,706 S \* 7/1983 Green ..... D24/115
- 4,411,656 A \* 10/1983 Cornett, III ..... A61M 3/00  
604/212
- D288,006 S \* 1/1987 Bergstrom ..... D24/115
- D298,015 S \* 10/1988 Gendron ..... D9/447
- 4,966,312 A \* 10/1990 Waring ..... A61J 7/0053  
222/158
- D344,132 S \* 2/1994 Schneberger ..... D24/108
- 5,400,923 A \* 3/1995 Goliath ..... B01L 3/0293  
222/211
- D370,388 S 6/1996 Cusick et al.
- D398,838 S \* 9/1998 Nielsen ..... D24/115
- D417,000 S \* 11/1999 Poynter ..... D24/115
- D429,630 S \* 8/2000 Knight ..... D24/115
- D441,072 S 4/2001 Zamikhovsky

(Continued)

*Primary Examiner* — David G Muller

(74) *Attorney, Agent, or Firm* — David R. Crichton

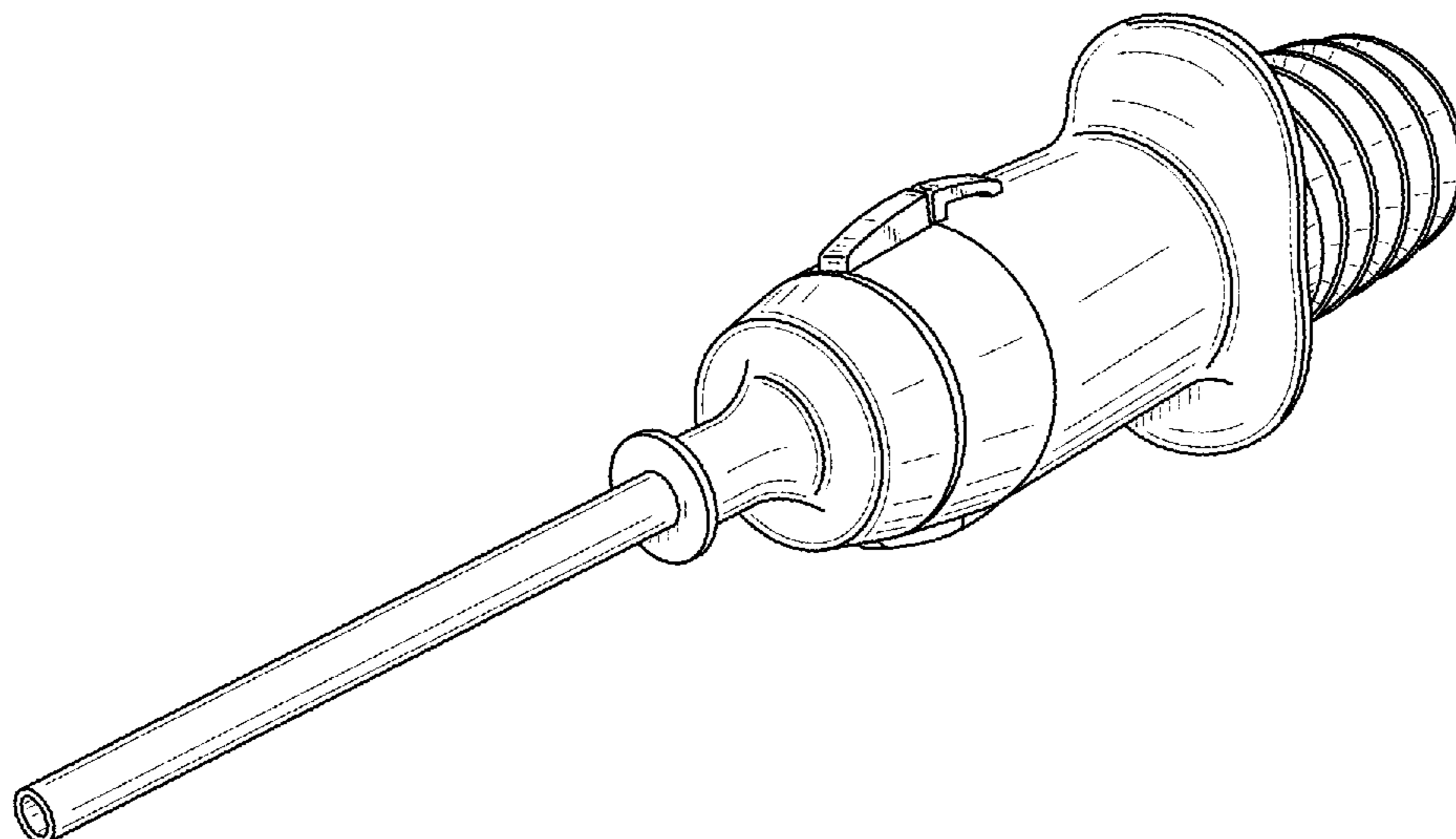
(57) **CLAIM**

The ornamental design for a powder delivery device, as shown and described.

**DESCRIPTION**

FIG. 1 is a perspective view of a powder delivery device, showing our new design;  
 FIG. 2 is a top view of the powder delivery device shown in FIG. 1;  
 FIG. 3 is a side elevation view of the powder delivery device shown in FIG. 1;  
 FIG. 4 is a bottom view of the powder delivery device shown in FIG. 1; and,  
 FIG. 5 is a rear view of the powder delivery device shown in FIG. 1.

**1 Claim, 3 Drawing Sheets**



(56)

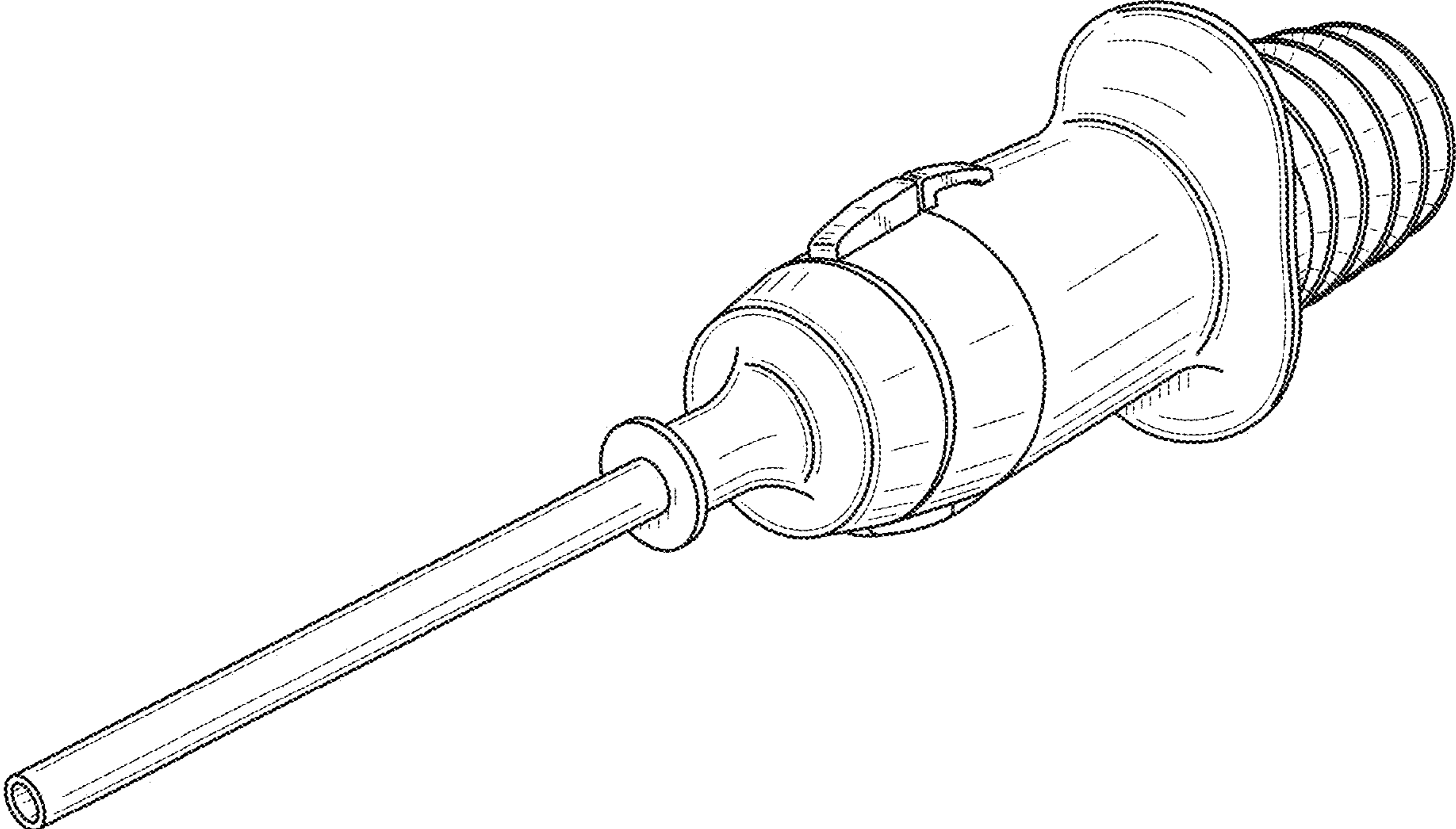
**References Cited**

U.S. PATENT DOCUMENTS

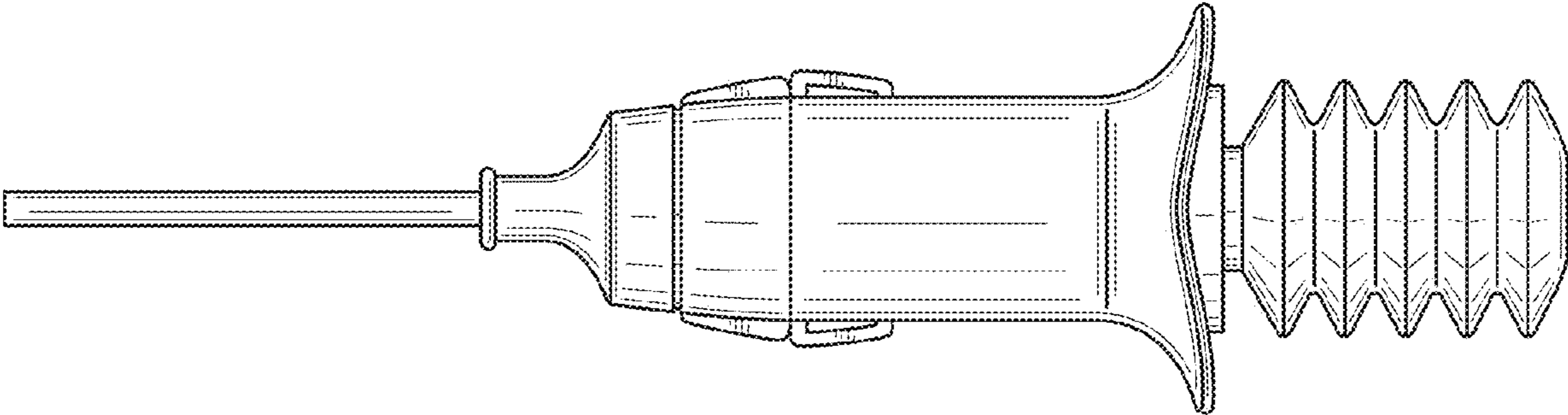
6,355,027	B1	3/2002	Le et al.	
6,482,179	B1	11/2002	Chu et al.	
D468,344	S *	1/2003	Yan .....	D18/40
D468,824	S	1/2003	Zamikhovsky	
D509,146	S *	9/2005	Higuchi .....	D9/683
D526,907	S *	8/2006	Higuchi .....	D9/683
D601,244	S	9/2009	Ward, III	
D630,733	S	1/2011	Ahlgren	
D728,183	S *	4/2015	Harris .....	D34/1
9,205,240	B2	12/2015	Greenhalgh et al.	
D748,777	S	2/2016	Uenishi et al.	
D767,128	S	9/2016	DeBartola et al.	
D775,330	S	12/2016	Blennow et al.	
D779,337	S *	2/2017	Cooper .....	D9/683
D788,295	S *	5/2017	Holmstrom .....	D24/130
D850,921	S *	6/2019	Shen .....	D9/553

\* cited by examiner

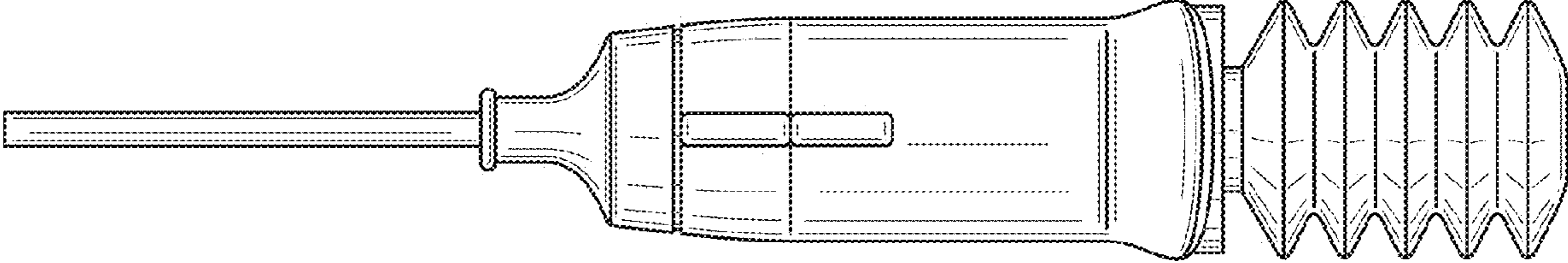
**FIG. 1**



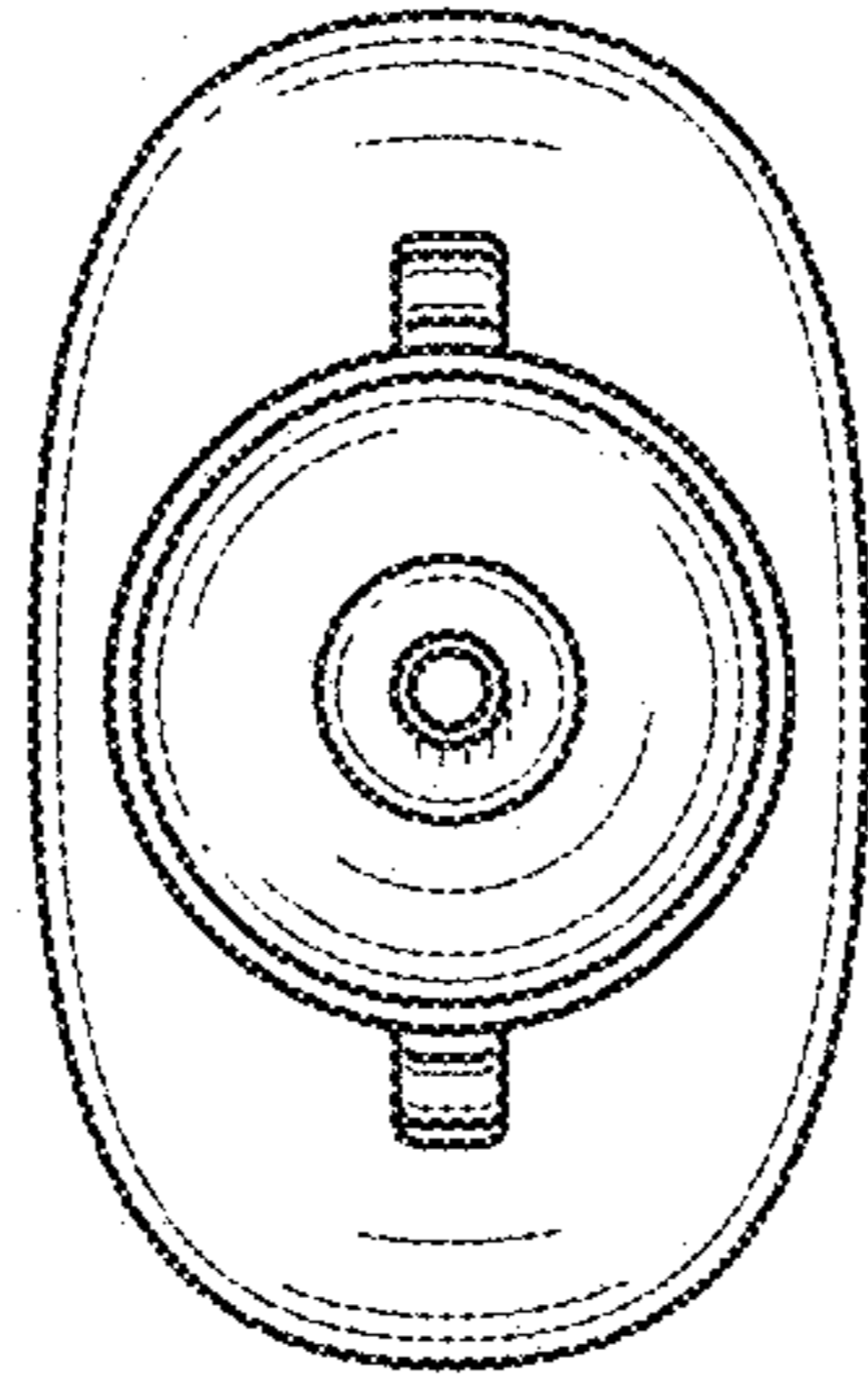
**FIG. 2**



**FIG. 3**



**FIG. 4**



**FIG. 5**

