



US00D879951S

(12) **United States Design Patent**
Kucklick

(10) **Patent No.:** **US D879,951 S**
(45) **Date of Patent:** **** Mar. 31, 2020**

- (54) **ARTHROSCOPIC CANNULA**
- (71) Applicant: **Cannuflow, Inc.**, Campbell, CA (US)
- (72) Inventor: **Theodore R. Kucklick**, Campbell, CA (US)
- (73) Assignee: **Cannuflow, Inc.**, Campbell, CA (US)
- (**) Term: **15 Years**
- (21) Appl. No.: **29/670,175**
- (22) Filed: **Nov. 14, 2018**
- (51) **LOC (12) Cl.** **24-02**
- (52) **U.S. Cl.**
USPC **D24/112**
- (58) **Field of Classification Search**
USPC D24/112–114, 108, 130, 127, 133, 186;
606/181, 185; 604/264, 523–528, 272,
604/164.01–164.11, 187, 93.01; 600/101,
600/139, 143; 128/200.24, 207.14,
128/207.15
CPC .. A61M 25/065; A61M 5/42; A61M 25/0612;
A61M 25/00; A61M 39/00; A61M 27/00;
A61M 25/0043; A61M 25/0067; A61M
25/0097; A61F 2/958
See application file for complete search history.

- D616,544 S * 5/2010 Chesnin D24/130
- D760,890 S * 7/2016 Guala D24/112
- D775,330 S * 12/2016 Blennow D24/130
- D775,723 S * 1/2017 Rowe D24/112
- D844,774 S * 4/2019 Akcay A61M 25/0097
D24/112
- D864,381 S * 10/2019 Miles D24/112
- D870,883 S * 12/2019 Harding D24/130
- 10,500,376 B2 * 12/2019 Isaacson A61M 39/00

* cited by examiner

Primary Examiner — David G Muller
(74) *Attorney, Agent, or Firm* — K. David Crockett, Esq.;
Susan L. Crockett, Esq.; Crockett & Crockett, PC

(57) **CLAIM**

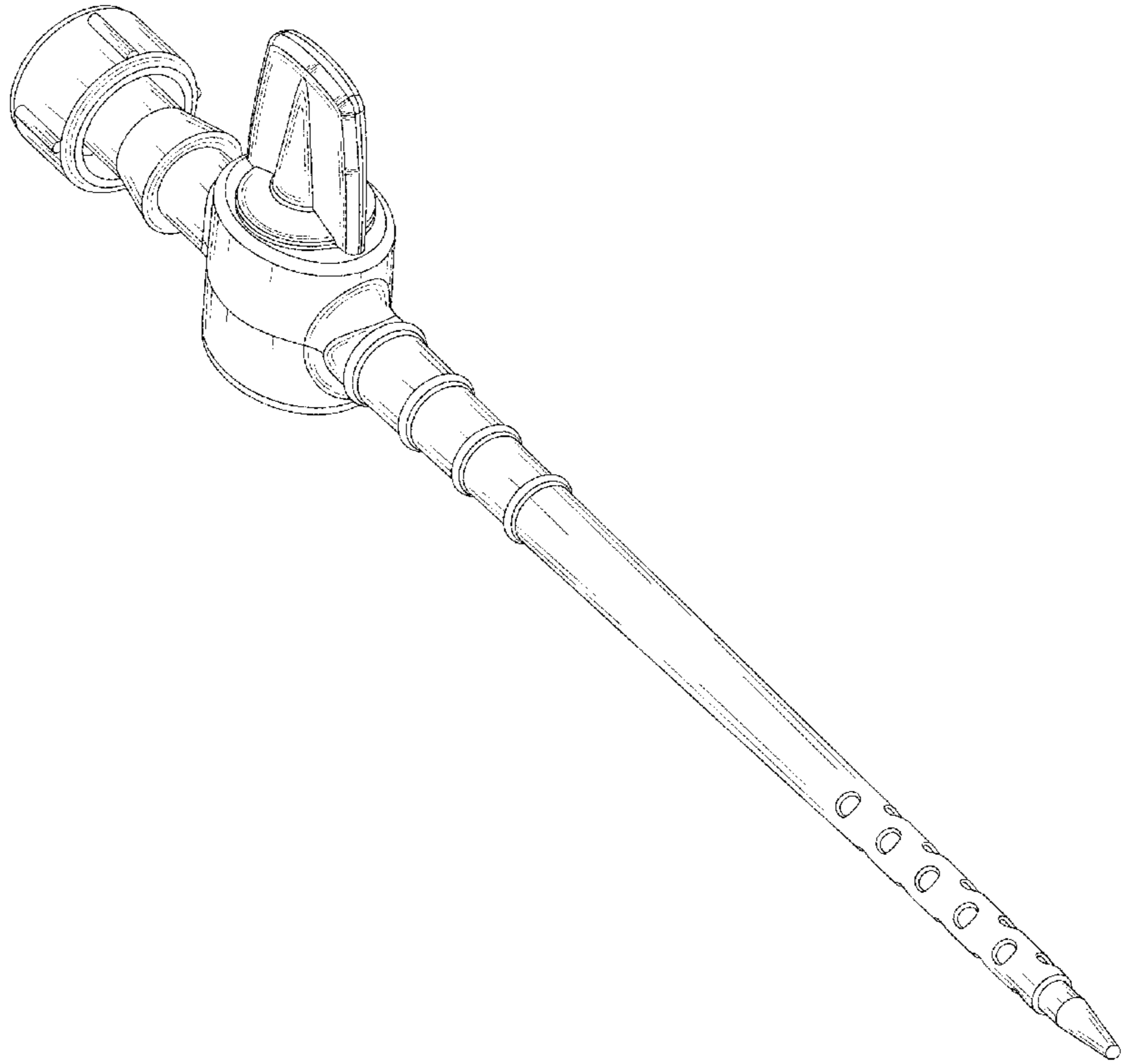
The ornamental design for an arthroscopic cannula, as shown and described.

DESCRIPTION

FIG. 1 is a top-front perspective view of an arthroscopic cannula showing my new design.
FIG. 2 is a rear perspective view thereof.
FIG. 3 is a top plan view thereof.
FIG. 4 is a bottom plan view thereof.
FIG. 5 is a left side view thereof.
FIG. 6 is a right side view thereof.
FIG. 7 is a front view thereof; and,
FIG. 8 is a rear view thereof.

1 Claim, 7 Drawing Sheets

- (56) **References Cited**
U.S. PATENT DOCUMENTS
D474,269 S * 5/2003 Choksi D24/108
D478,383 S * 8/2003 Timm D24/130



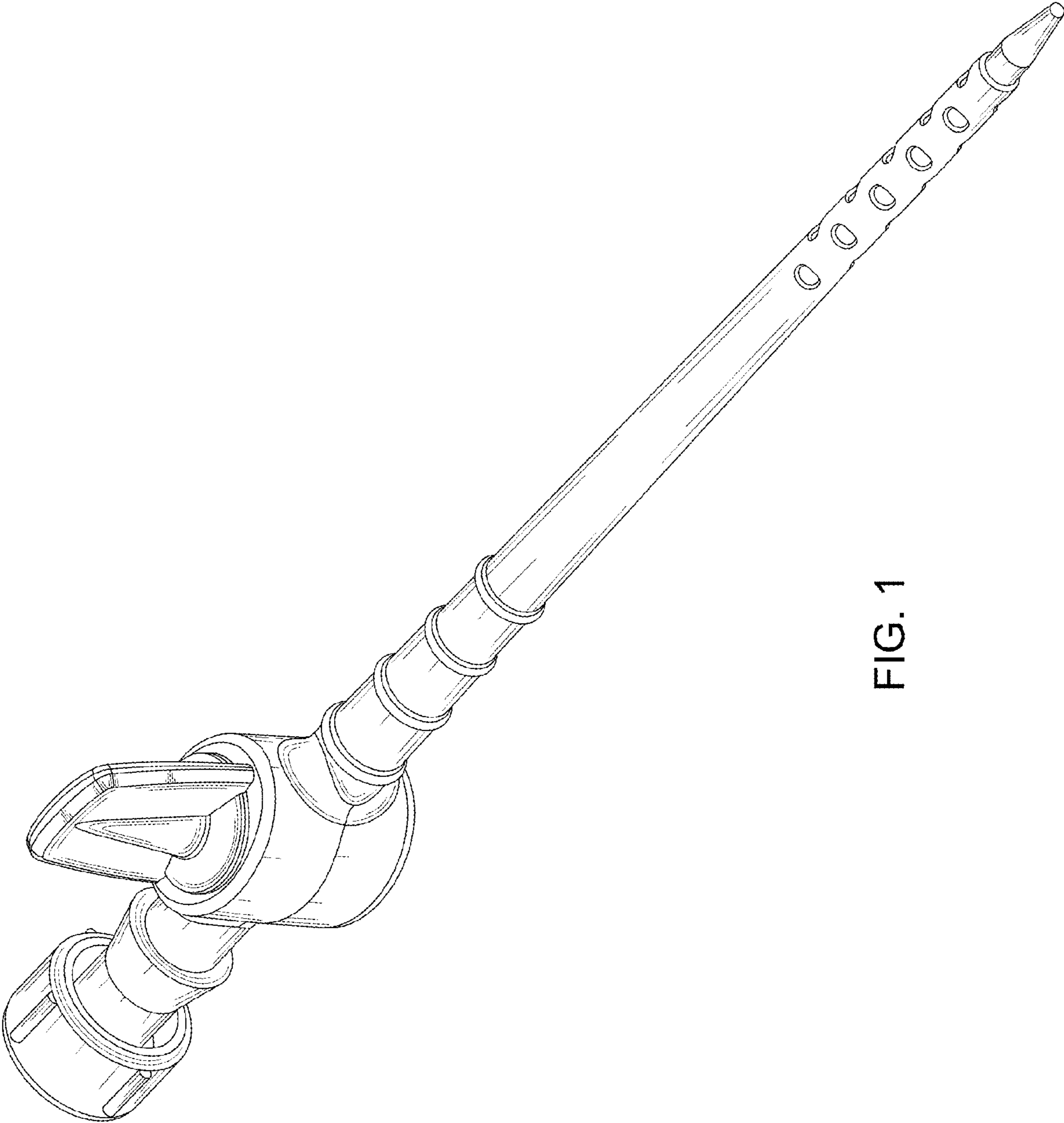


FIG. 1

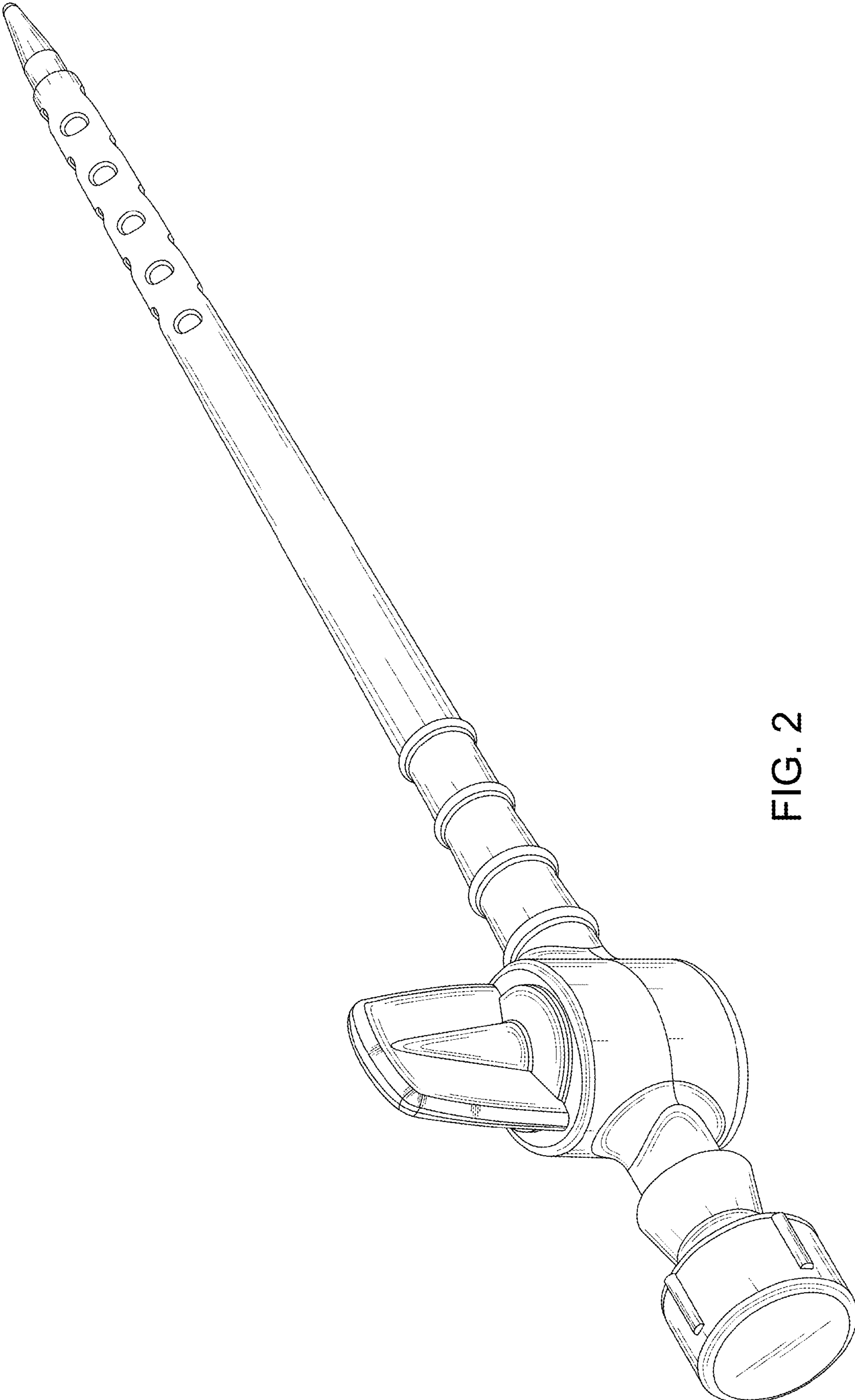


FIG. 2

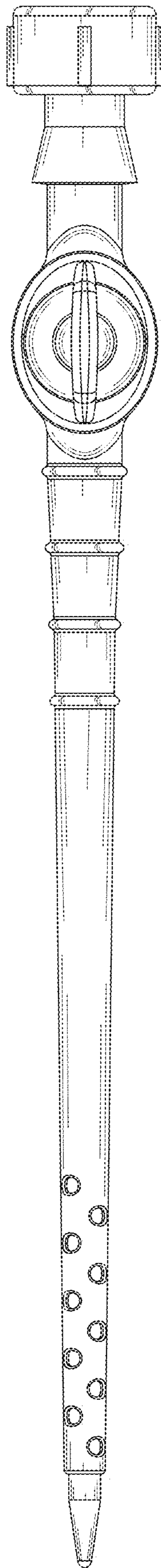


FIG. 3

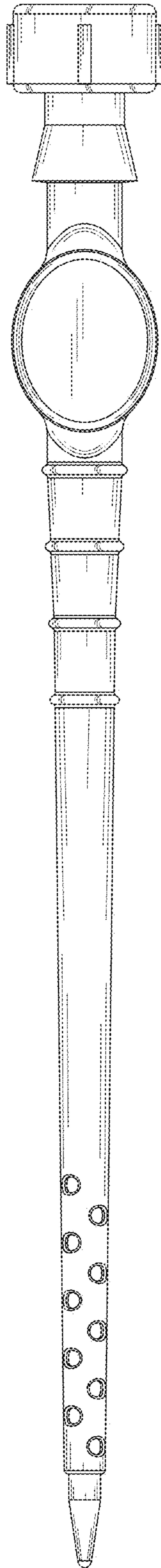


FIG. 4

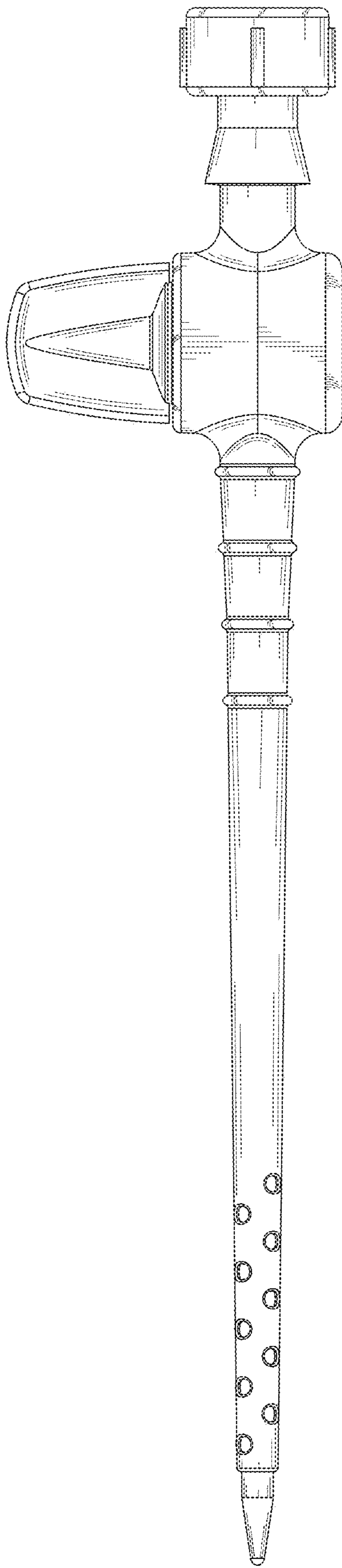


FIG. 5

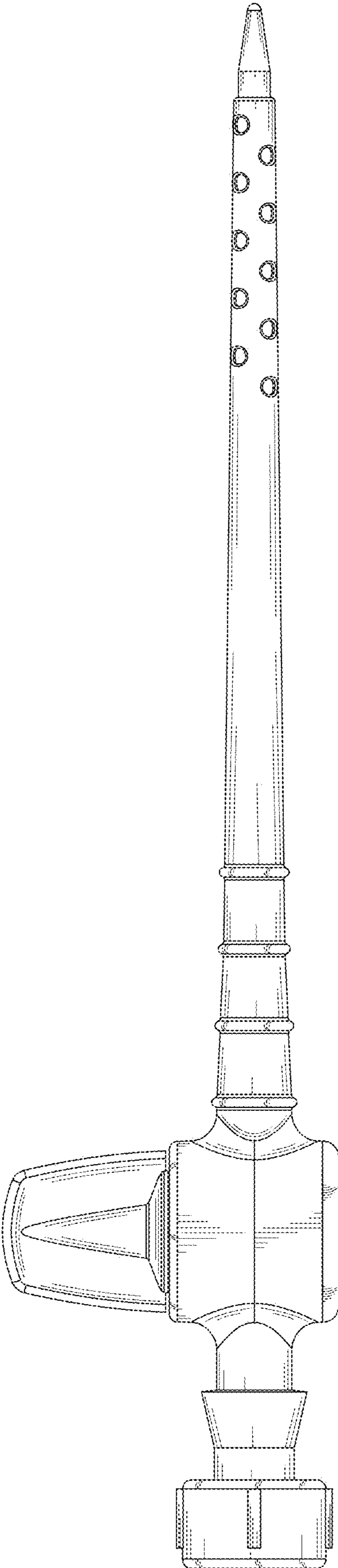


FIG. 6

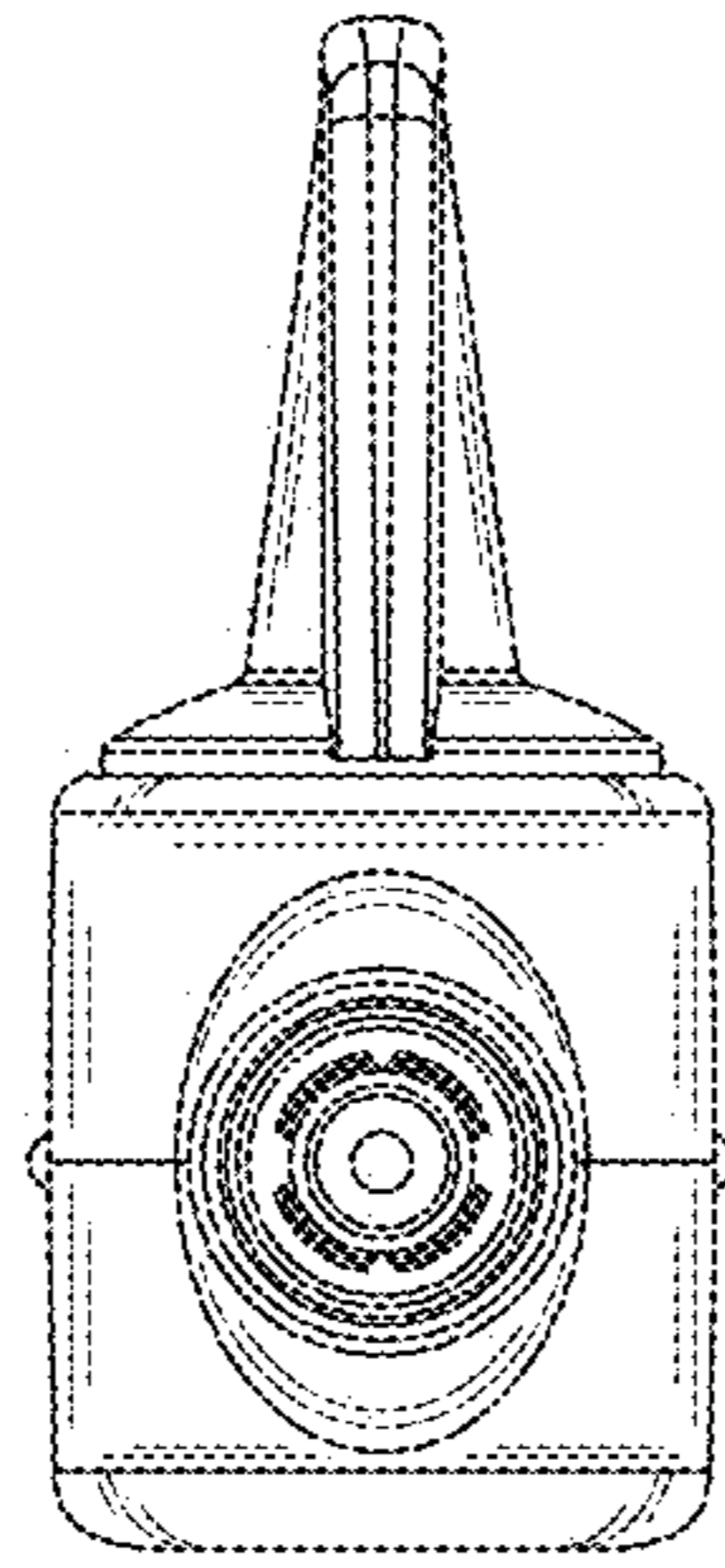


FIG. 7

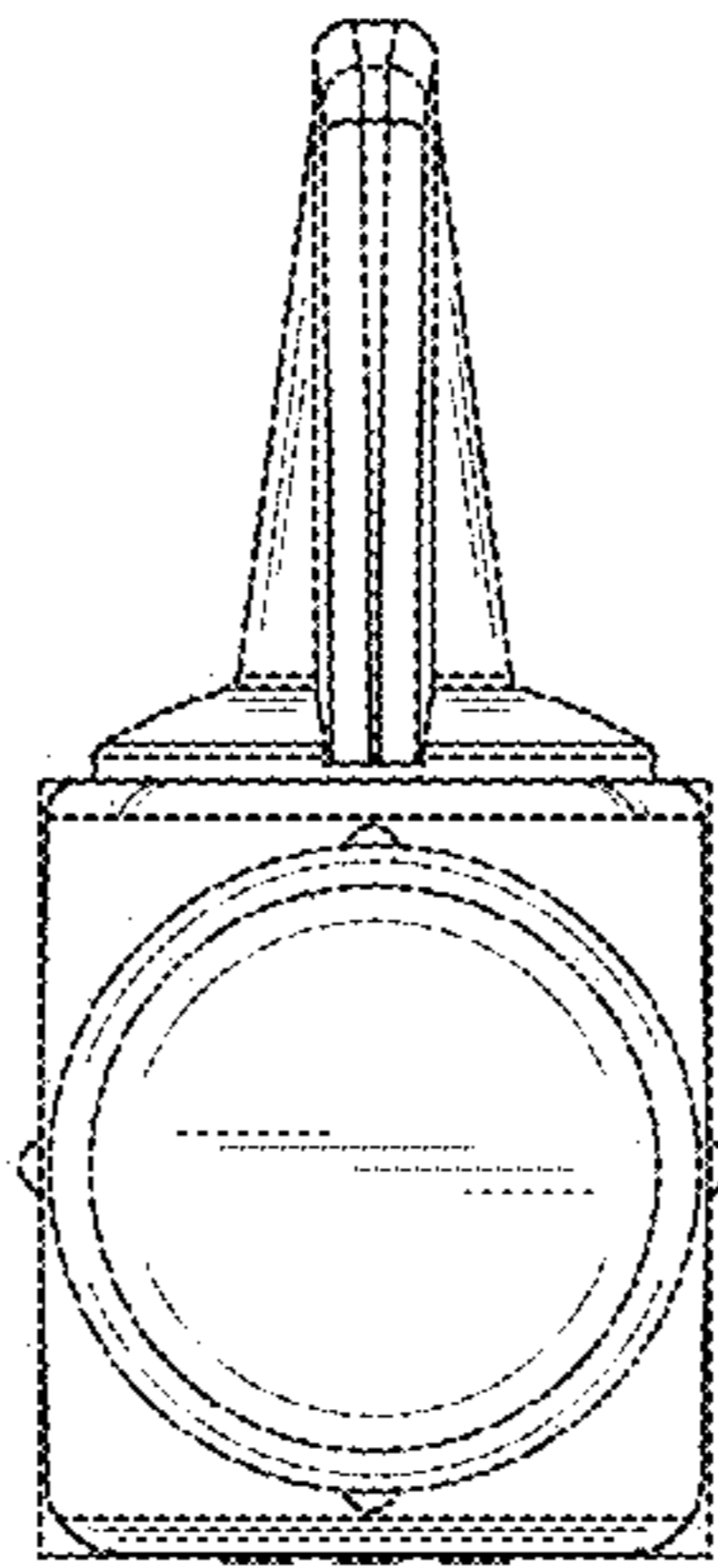


FIG. 8