



US00D879947S

(12) **United States Design Patent**  
**Collazo et al.**

(10) **Patent No.:** **US D879,947 S**  
(45) **Date of Patent:** **\*\* Mar. 31, 2020**

- (54) **RESPIRATORY MASK**
- (71) Applicant: **InnoMed Healthscience, Inc.**, Coconut Creek, FL (US)
- (72) Inventors: **Louis Javier Collazo**, Pompano Beach, FL (US); **Christopher Agami**, Coral Springs, FL (US); **Bruce M. Sher**, North Palm Beach, FL (US); **Shara A. Hernandez**, Davie, FL (US)
- (73) Assignee: **InnoMed Healthscience, Inc.**, Coconut Creek, FL (US)

D486,227 S	2/2004	Fu et al.	
D550,352 S	9/2007	Chandran et al.	
D550,836 S	9/2007	Chandran et al.	
D564,089 S	3/2008	Chandran et al.	
D568,985 S	5/2008	Chandran et al.	
D583,047 S	12/2008	Chandran et al.	
D583,049 S	12/2008	Chandran et al.	
D589,139 S	3/2009	Guney et al.	
D612,933 S	3/2010	Prentice et al.	
D645,557 S	9/2011	Scheiner et al.	
D674,480 S	1/2013	Prentice et al.	
D770,608 S	11/2016	Allum et al.	
D852,948 S *	7/2019	Collazo .....	D24/110.1
10,368,758 B2 *	8/2019	Melker .....	A61B 5/6819
10,376,667 B2 *	8/2019	Peets .....	A61M 16/0672

(Continued)

(\*\*) Term: **15 Years**

*Primary Examiner* — Lilyana Bekic

(21) Appl. No.: **29/709,478**

(74) *Attorney, Agent, or Firm* — Maier & Maier, PLLC

(22) Filed: **Oct. 15, 2019**

(57) **CLAIM**

**Related U.S. Application Data**

The ornamental design for a respiratory mask, as shown and described.

(62) Division of application No. 29/626,255, filed on Nov. 15, 2017, now Pat. No. Des. 868,239.

(51) **LOC (12) Cl.** ..... **29-02**

(52) **U.S. Cl.**  
USPC ..... **D24/110.1**

(58) **Field of Classification Search**  
USPC ..... D24/110.1, 110.4–110.5, 106, 112, 135, D24/127  
CPC ..... A61M 16/0666; A61M 16/0683; A61M 16/06; A61M 2210/0618; A61M 16/0672; A61M 16/0622; A62B 23/06  
See application file for complete search history.

**DESCRIPTION**

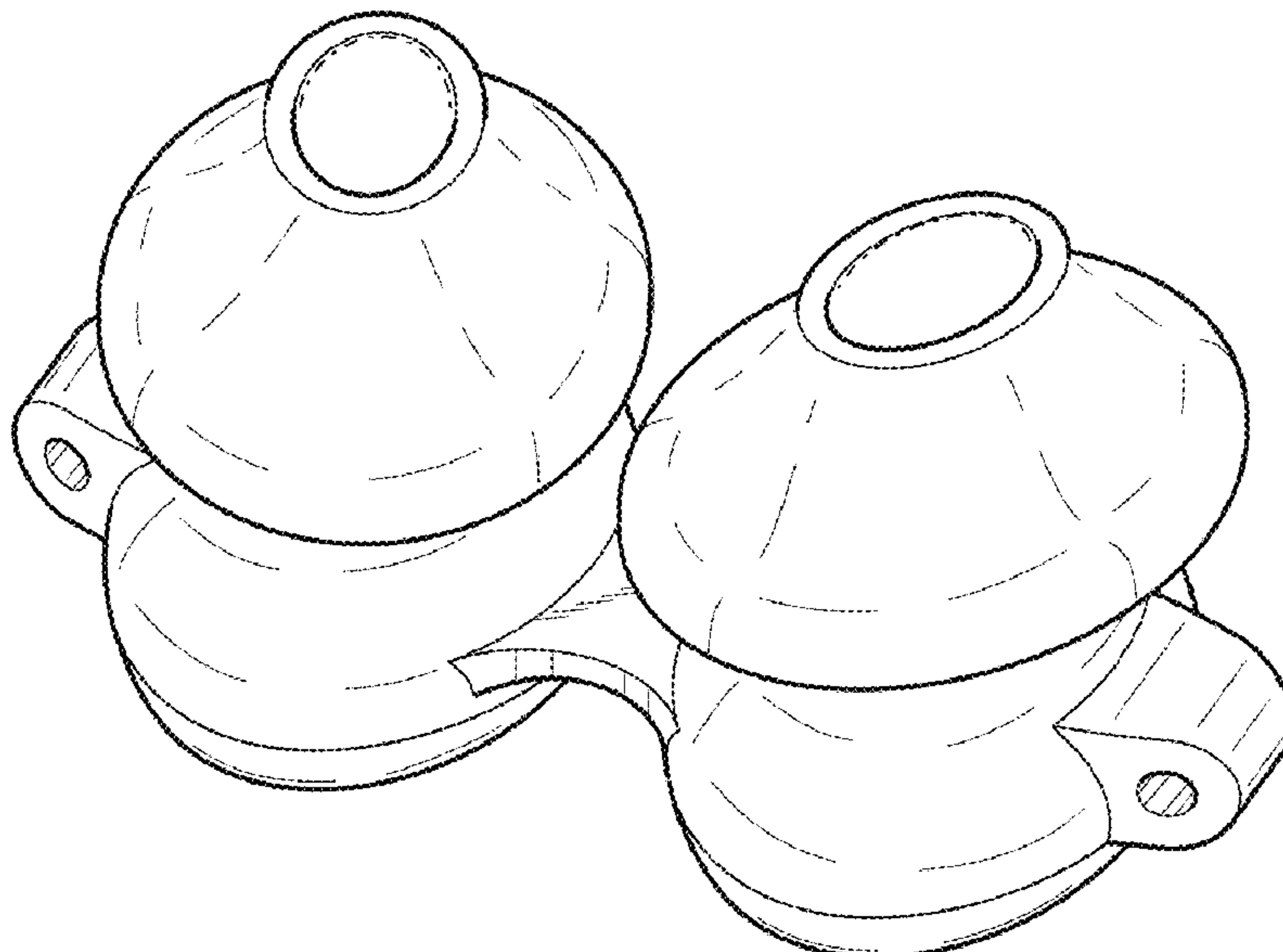
FIG. 1 is a top perspective view of a respiratory mask; FIG. 2 is a bottom perspective view thereof; FIG. 3 is a top plan view thereof; FIG. 4 is a bottom plan view thereof; FIG. 5 is a front elevation view thereof; FIG. 6 is a rear elevation view thereof; FIG. 7 is a left side elevation view thereof; and, FIG. 8 is a right side elevation view thereof. The broken line showing of portions of the respiratory mask form no part of the claimed design. The dot-dash-dot broken lines define the bounds of the claim and form no part thereof. The boundary lines appear on interior surfaces of the respiratory mask, where visible, and immediately adjacent to claimed edges, representing that the interior surface forms no part of the claimed design.

(56) **References Cited**

**U.S. PATENT DOCUMENTS**

4,327,719 A *	5/1982	Childers .....	A62B 23/06
			128/203.22
5,425,359 A *	6/1995	Liou .....	A62B 23/06
			128/206.11

**1 Claim, 4 Drawing Sheets**



(56)

## References Cited

## U.S. PATENT DOCUMENTS

10,384,028 B2 \* 8/2019 Allum ..... A61M 16/0605  
D859,639 S \* 9/2019 Collazo ..... D24/110.1  
D859,640 S \* 9/2019 Collazo ..... D24/110.1  
D859,641 S \* 9/2019 Collazo ..... D24/110.1  
D863,535 S \* 10/2019 Collazo ..... D24/110.1  
D863,536 S \* 10/2019 Collazo ..... D24/110.1  
D863,537 S \* 10/2019 Collazo ..... D24/110.1  
D863,538 S \* 10/2019 Collazo ..... D24/110.1  
D863,539 S \* 10/2019 Collazo ..... D24/110.1  
D863,540 S \* 10/2019 Collazo ..... D24/110.1  
D863,541 S \* 10/2019 Collazo ..... D24/110.1  
D863,542 S \* 10/2019 Collazo ..... D24/110.1  
D864,377 S \* 10/2019 Collazo ..... D24/110.1  
D868,237 S \* 11/2019 Collazo ..... D24/110.1  
D868,238 S \* 11/2019 Collazo ..... D24/110.1  
D868,239 S \* 11/2019 Collazo ..... D24/110.1  
D868,240 S \* 11/2019 Collazo ..... D24/110.1  
2006/0124131 A1 6/2006 Chandran et al.  
2008/0276938 A1 11/2008 Jeppesen et al.  
2009/0095303 A1 4/2009 Sher et al.  
2009/0272386 A1 11/2009 Kurtz  
2014/0083419 A1 3/2014 Collazo et al.  
2014/0360499 A1 12/2014 Peets  
2015/0075530 A1 3/2015 Collazo et al.  
2015/0250973 A1 9/2015 Allum et al.  
2017/0216634 A1 8/2017 Wan  
2017/0368285 A1 12/2017 Wood  
2018/0008155 A1 1/2018 Melker et al.  
2018/0015247 A1 \* 1/2018 Marsh ..... A61M 16/0616  
2019/0070441 A1 \* 3/2019 Archouniani ..... A62B 23/06

\* cited by examiner

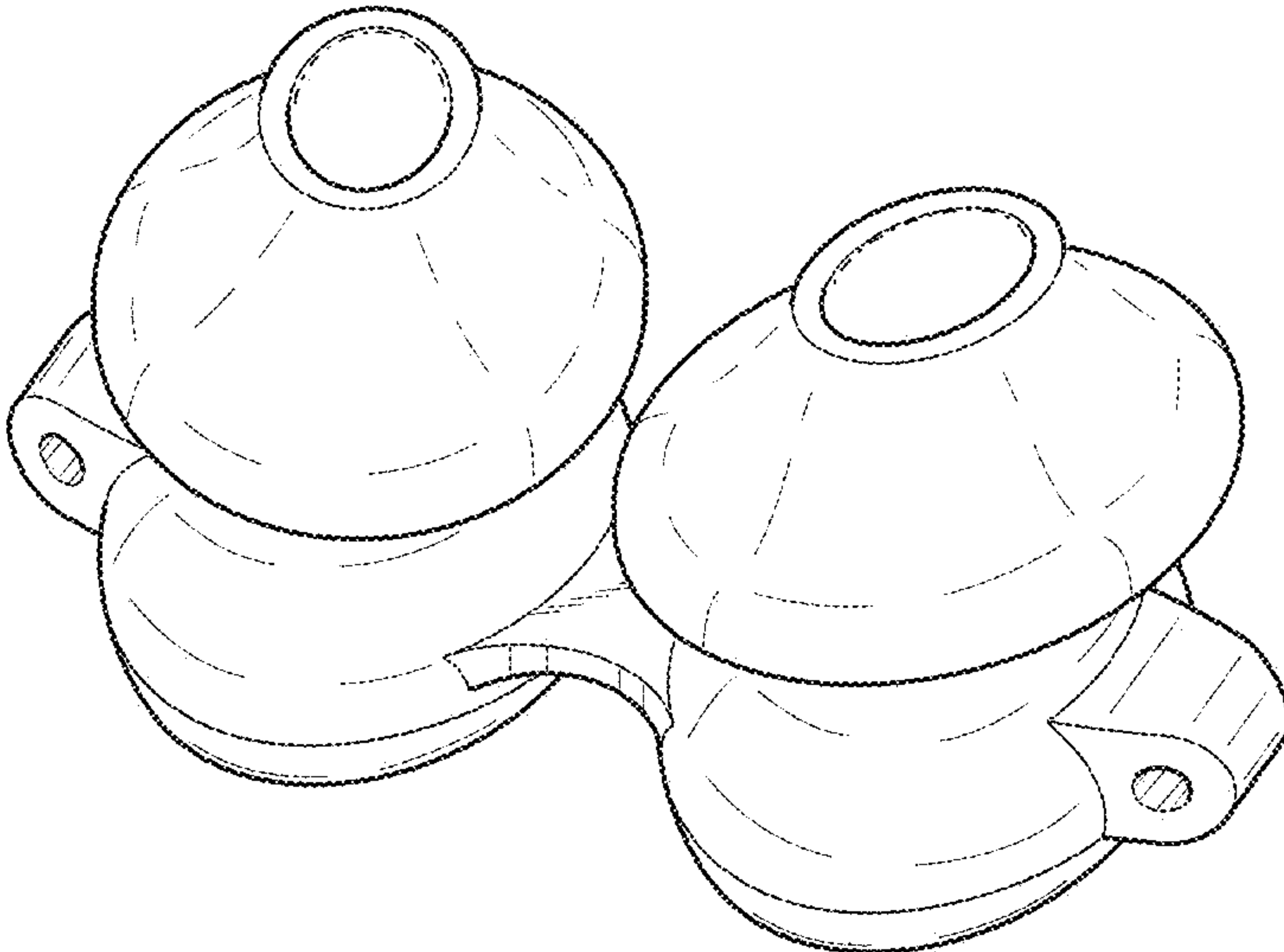


Fig. 1

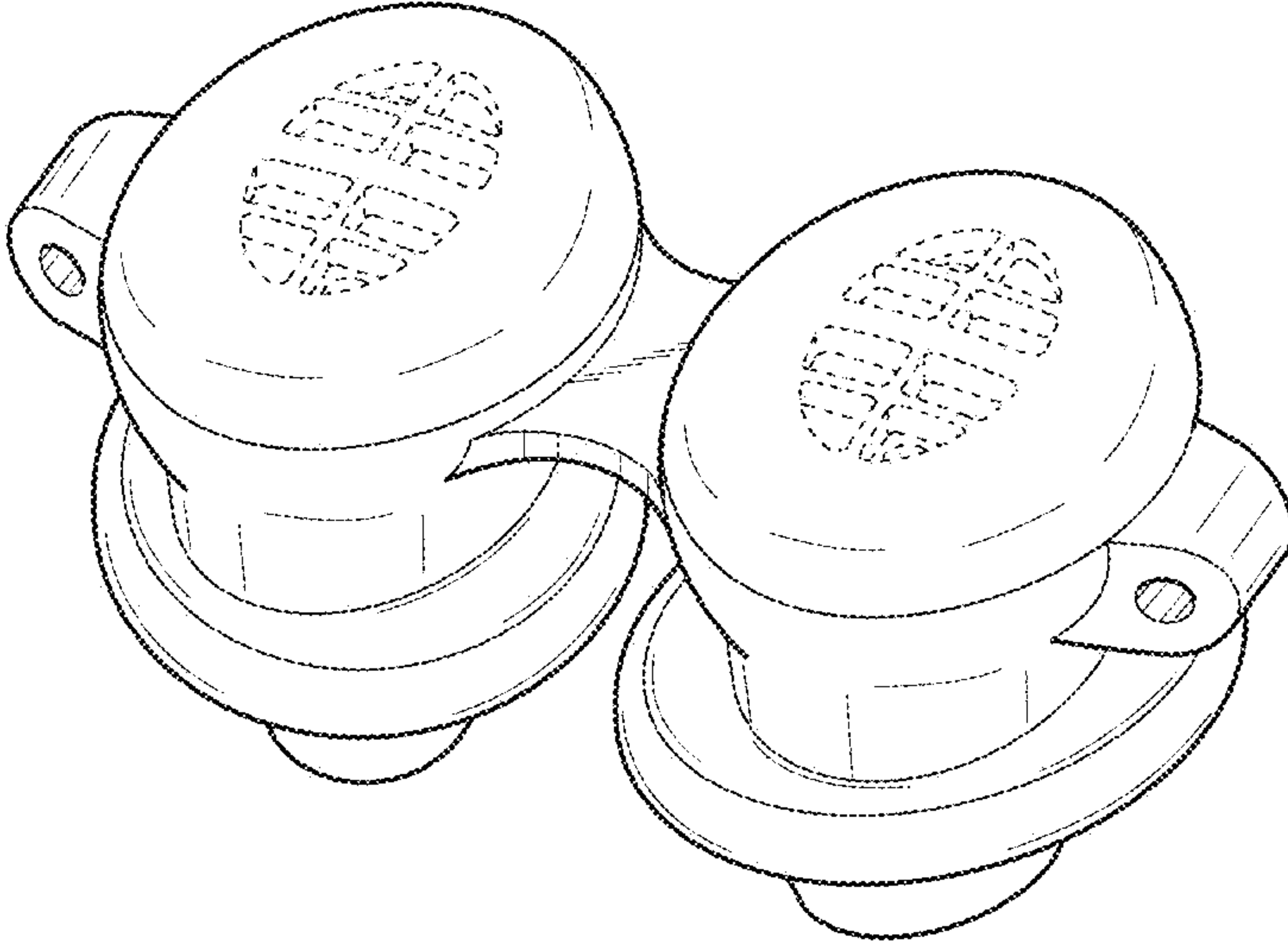
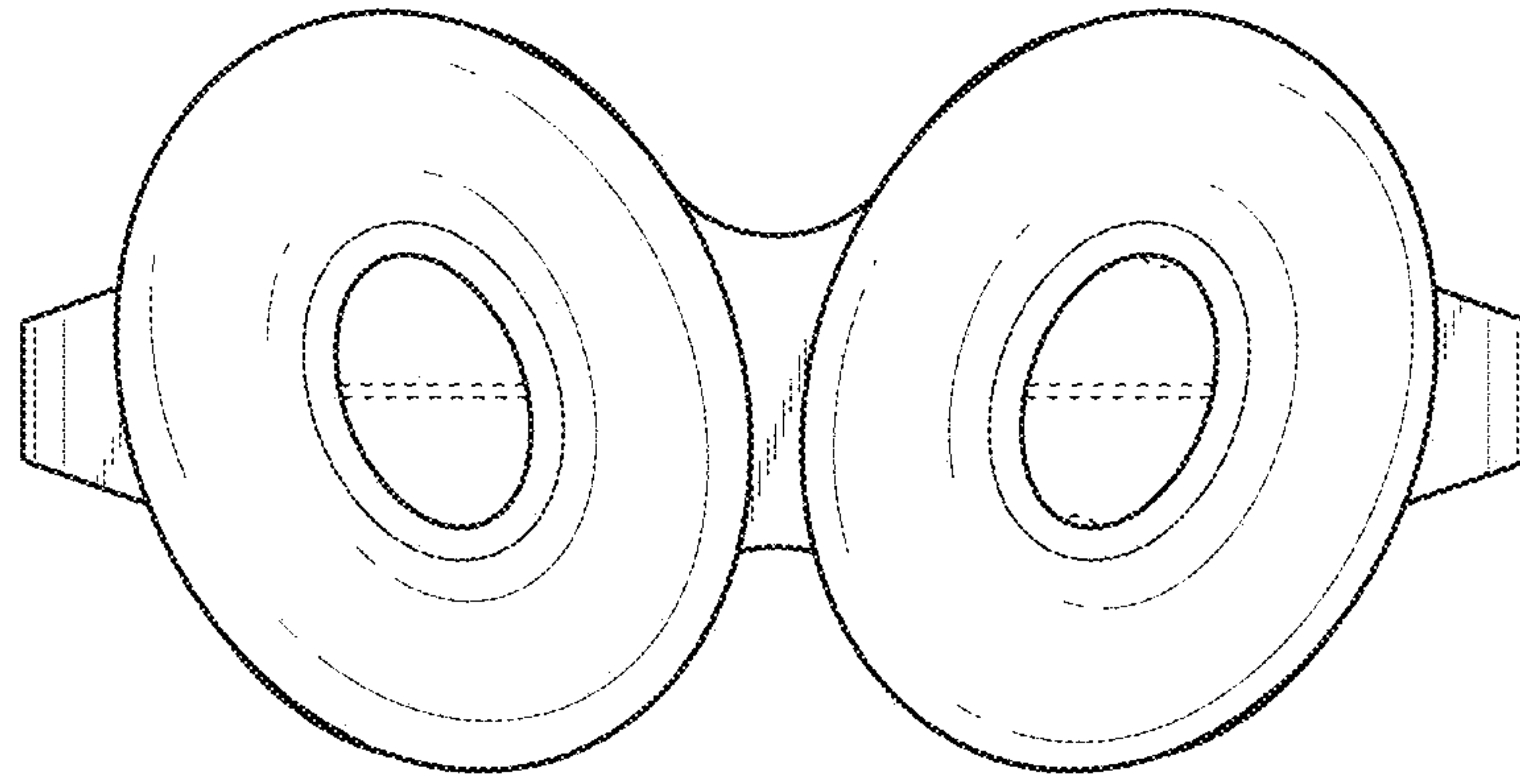
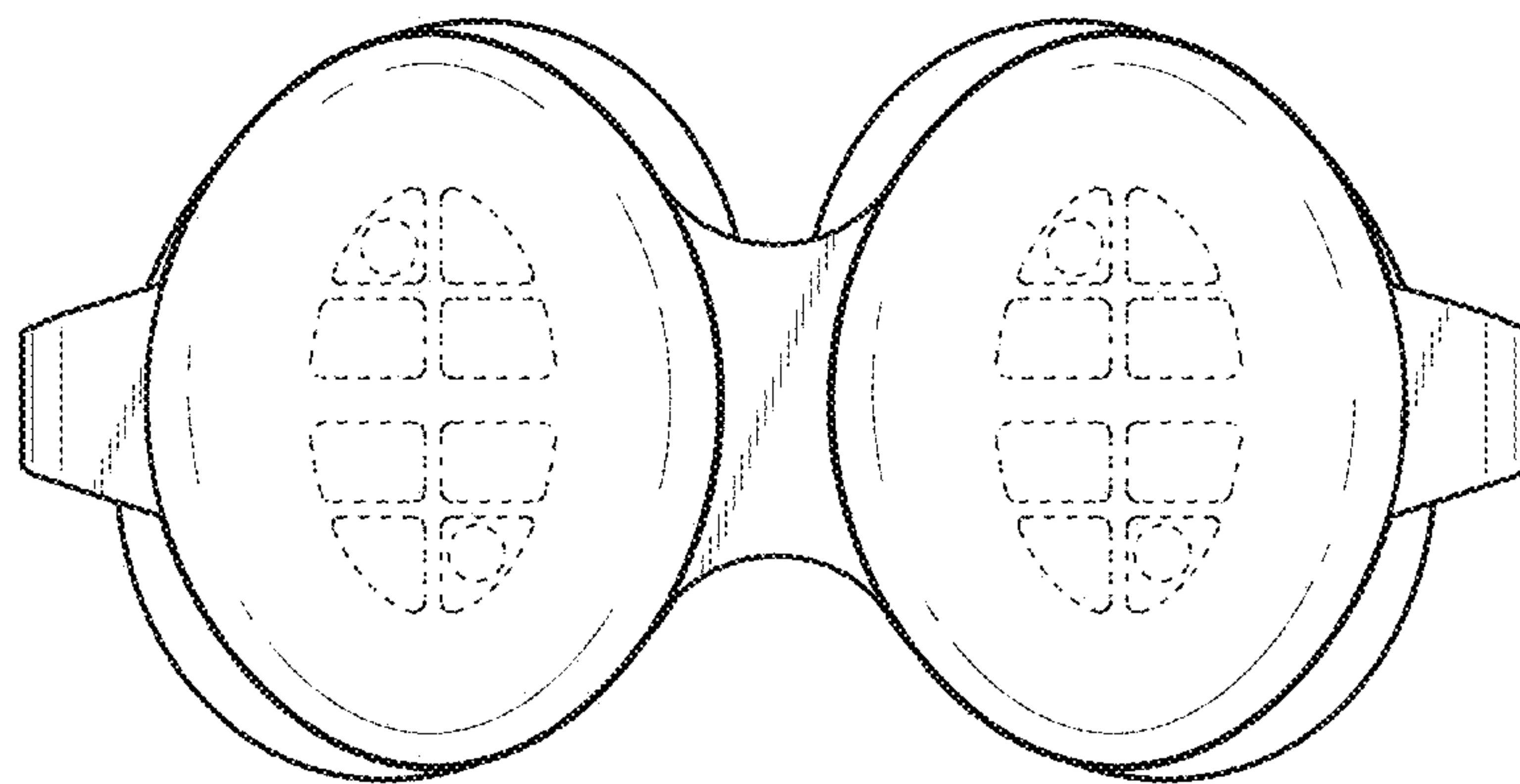


Fig. 2

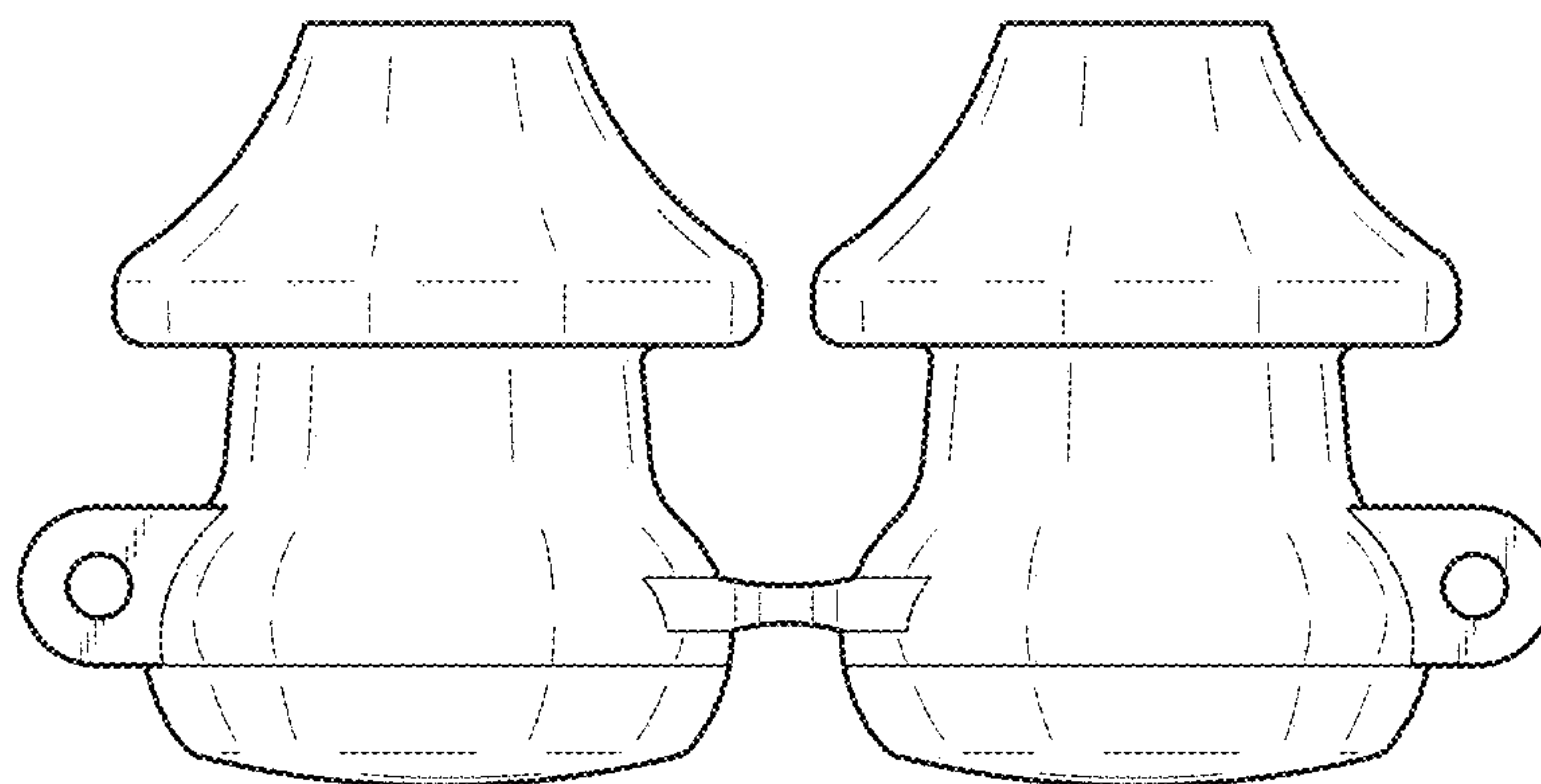


*Fig. 3*

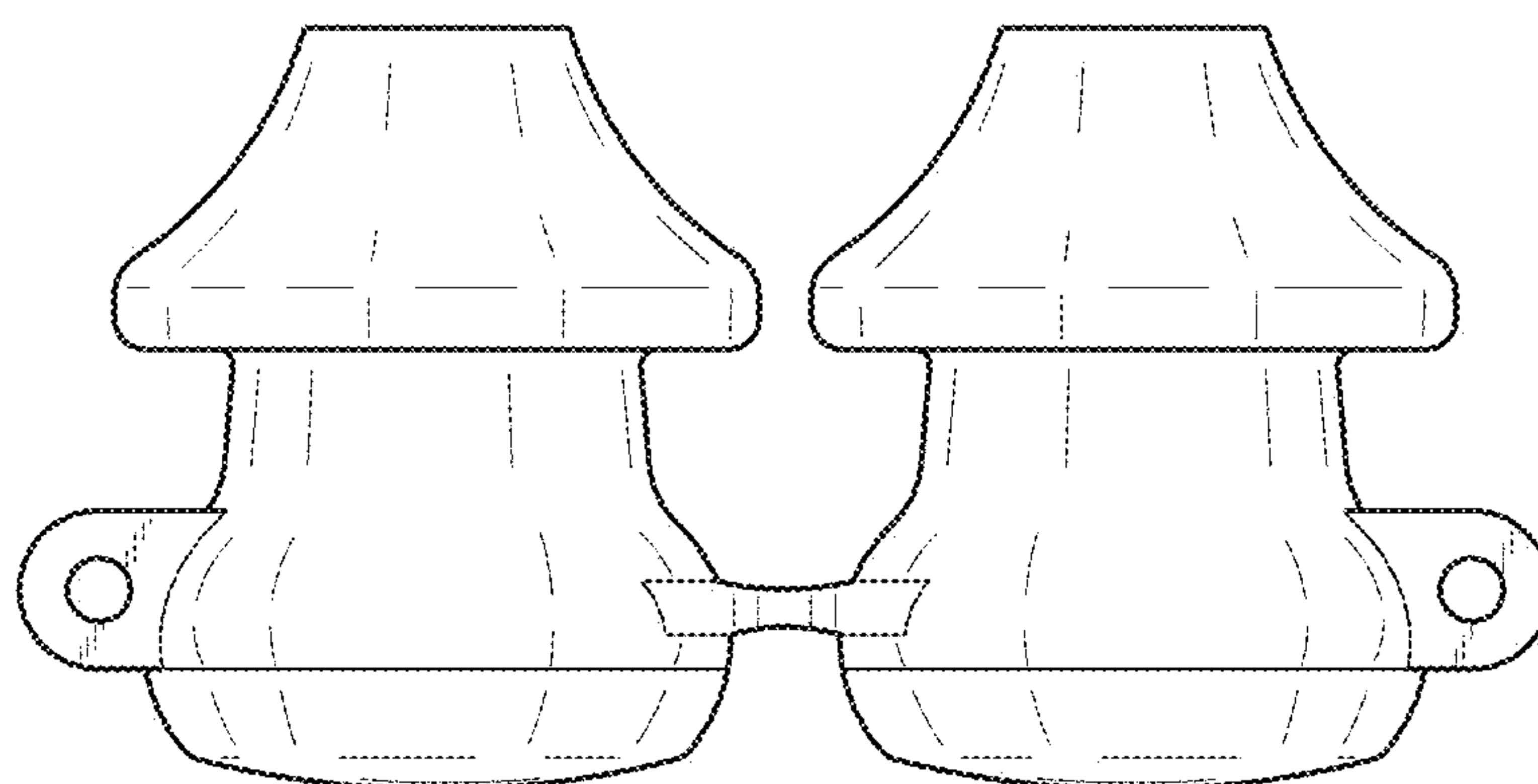


*Fig. 4*

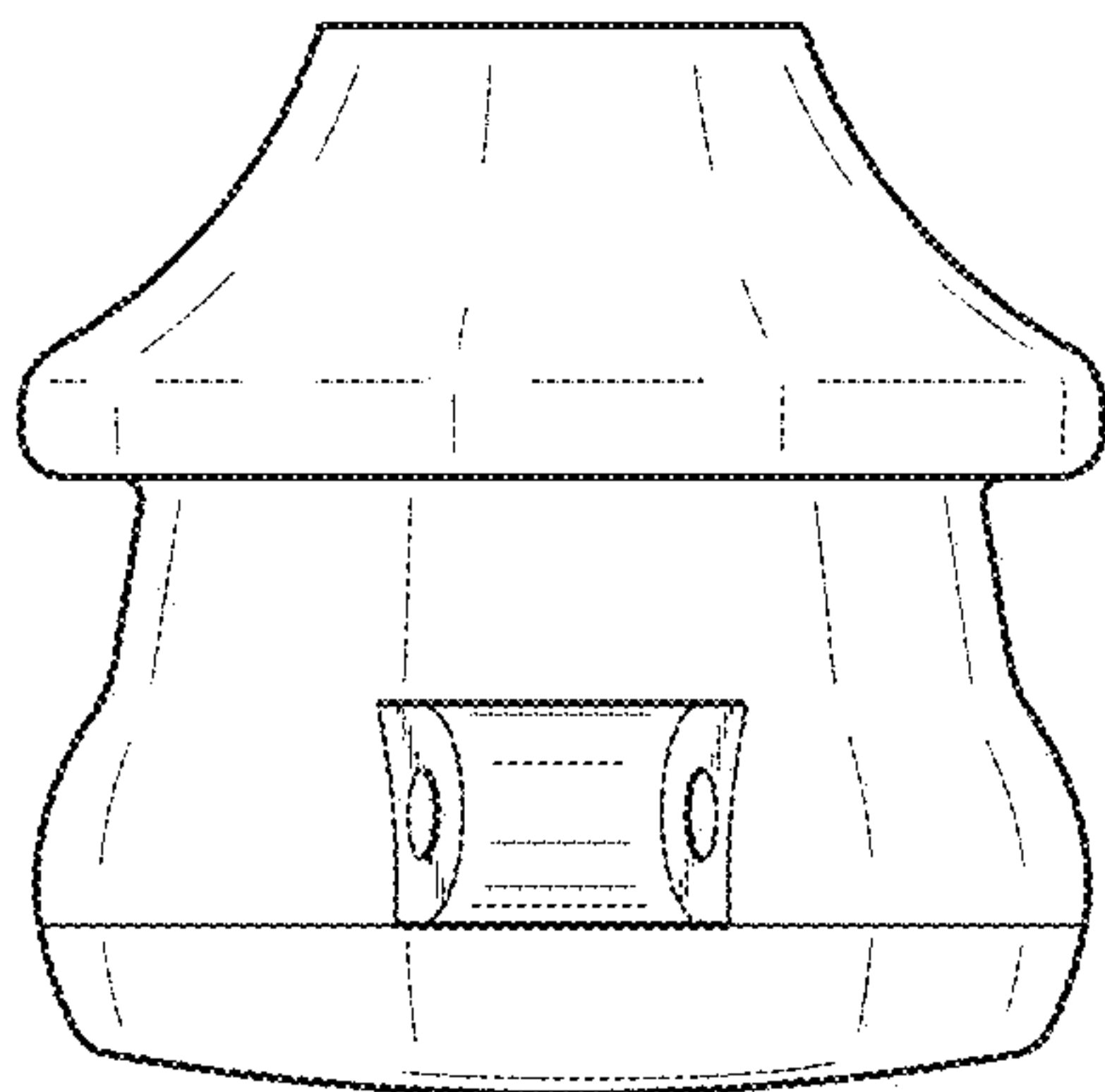




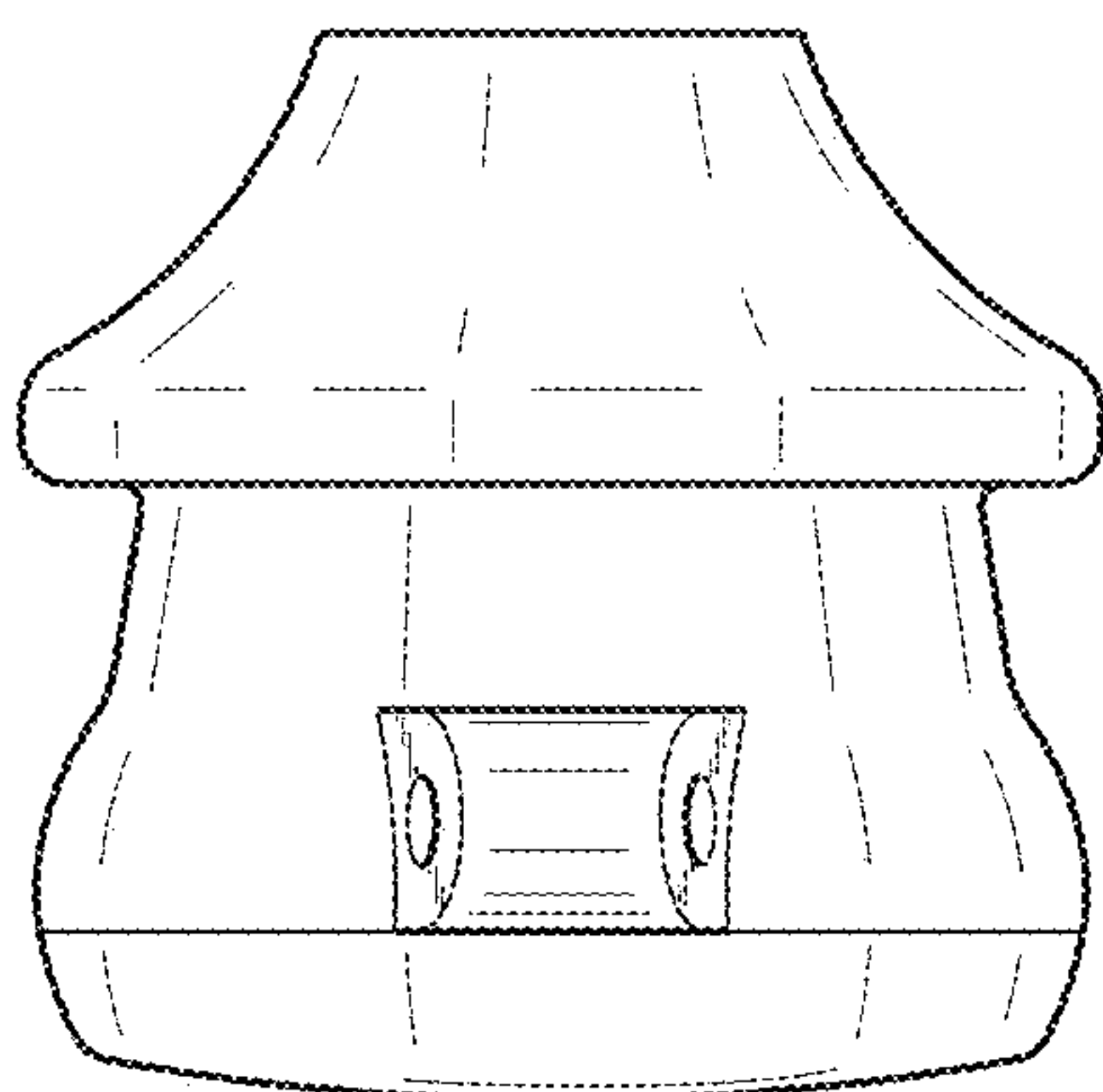
*Fig. 5*



*Fig. 6*



*Fig. 7*



*Fig. 8*