



US00D879942S

(12) **United States Design Patent**
Kong

(10) **Patent No.:** **US D879,942 S**
(45) **Date of Patent:** **** Mar. 31, 2020**

(54) **DOUBLE FAN BLADE**

(71) Applicant: **GoPlus Corp.**, Ontario, CA (US)

(72) Inventor: **Xujuan Kong**, Ningbo (CN)

(73) Assignee: **GoPlus Corp.**, Ontario, CA (US)

(**) Term: **15 Years**

(21) Appl. No.: **29/615,140**

(22) Filed: **Aug. 25, 2017**

(51) **LOC (12) Cl.** **23-04**

(52) **U.S. Cl.**
USPC **D23/413; D23/378**

(58) **Field of Classification Search**
USPC D26/59; D23/370, 377-382, 411-414
CPC F04D 25/088; F04D 29/38; F21V 21/03
See application file for complete search history.

(56) **References Cited**

U.S. PATENT DOCUMENTS

1,953,417	A *	4/1934	Lindberg	F04D 29/384 416/238
2,011,821	A *	8/1935	Meyer	B63H 1/26 416/223 R
2,023,111	A *	12/1935	Alsing	F04D 29/382 416/144
D180,777	S *	8/1957	Ganger	D23/413
D426,631	S *	6/2000	Thakur	D23/378
D438,947	S *	3/2001	Wang	D23/378
D511,570	S *	11/2005	Ke	D23/378
D520,132	S *	5/2006	Jones	D23/378
D762,837	S *	8/2016	Yeung	D23/378
D827,121	S *	8/2018	Wang	D23/378
2011/0171021	A1 *	7/2011	VanOttten Tolman	F04D 19/024 416/1

OTHER PUBLICATIONS

Best Choice Products 16 in Adjustable Cooling . . . Pedestal Fan, reviewed on Walmart website Jul. 6, 2017, <https://www.walmart.com/ip/Control-Products-Choice-Remote-Front-Back-Black-w-Best-16in-Cooling-Hour-Modes-Adjustable-Double-Fan-3-Timer-Oscillating-Tilt-Standing-Blades-7-5-Ped/751523416> (Year: 2017).*

Costway Pedestal Fan, sold by Amazon.com Apr. 2, 2017, <https://camelcamelcamel.com/COSTWAY-Pedestal-Fan-Black-Double-Blades/product/B06XGW5HRW?context=search> (Year: 2017).*

* cited by examiner

Primary Examiner — Janice Hallmark

(74) *Attorney, Agent, or Firm* — Troutman Sanders LLP

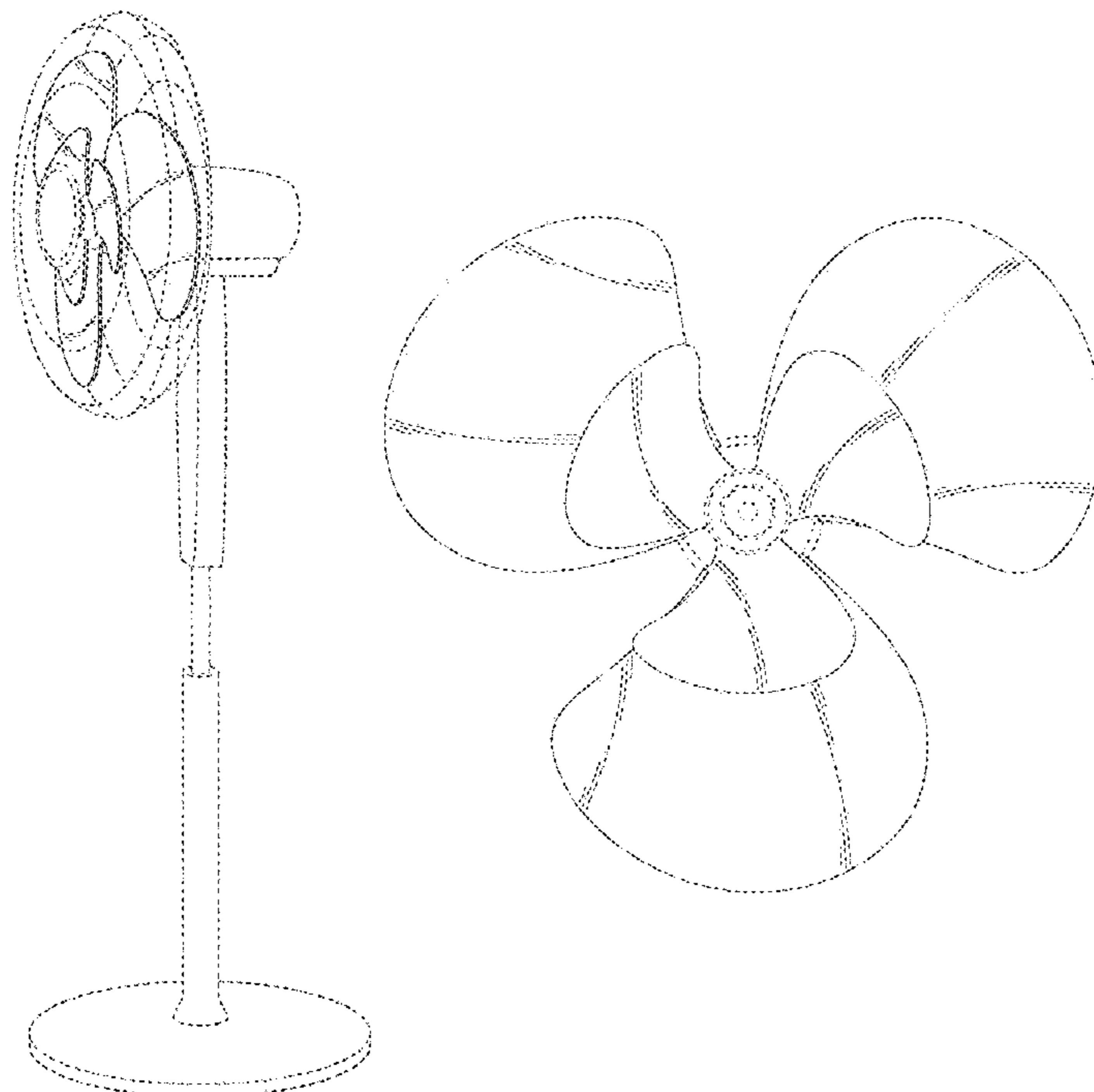
(57) **CLAIM**

The ornamental design for a double fan blade, as shown and described.

DESCRIPTION

FIG. 1 is a side perspective of a double fan blade showing my new design;
FIG. 2 is a side perspective view thereof;
FIG. 3 is a front elevation view thereof;
FIG. 4 is a rear elevation view thereof;
FIG. 5 is a side elevation view thereof; and,
FIG. 6 is a side perspective view thereof.
The broken lines in drawing FIGS. 1-2 depict environmental subject matter. The broken lines in drawing FIGS. 3-6 illustrate portions of the double fan blade that form no part of the claimed design.

1 Claim, 6 Drawing Sheets



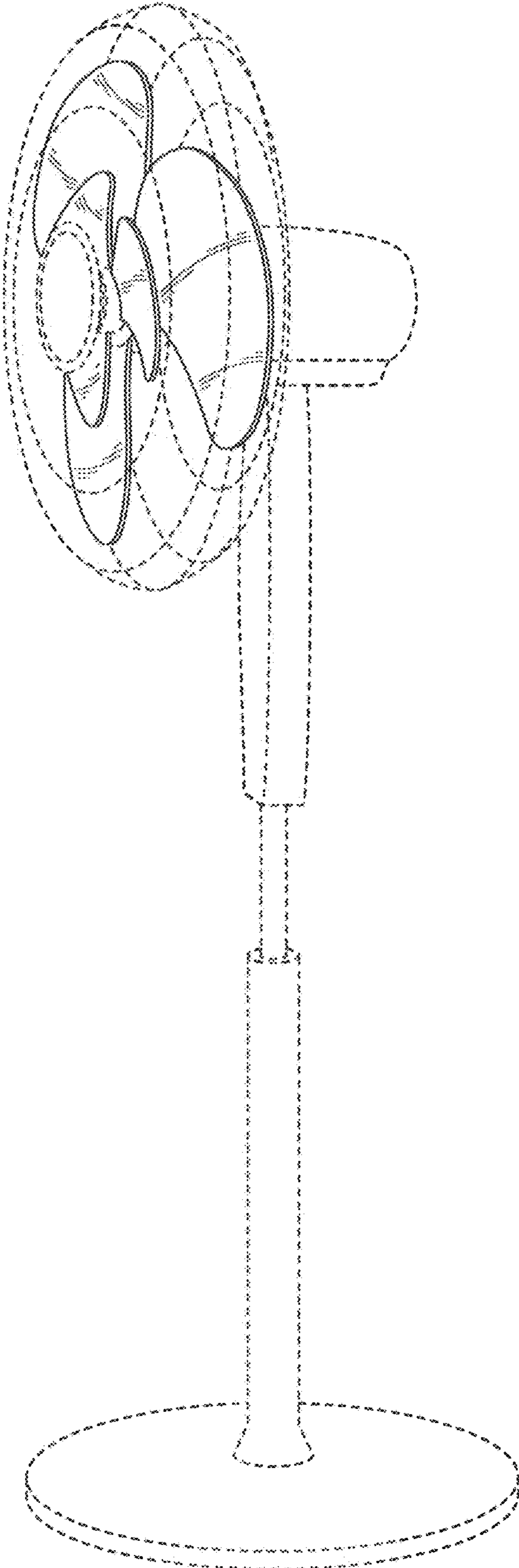


FIG. 1

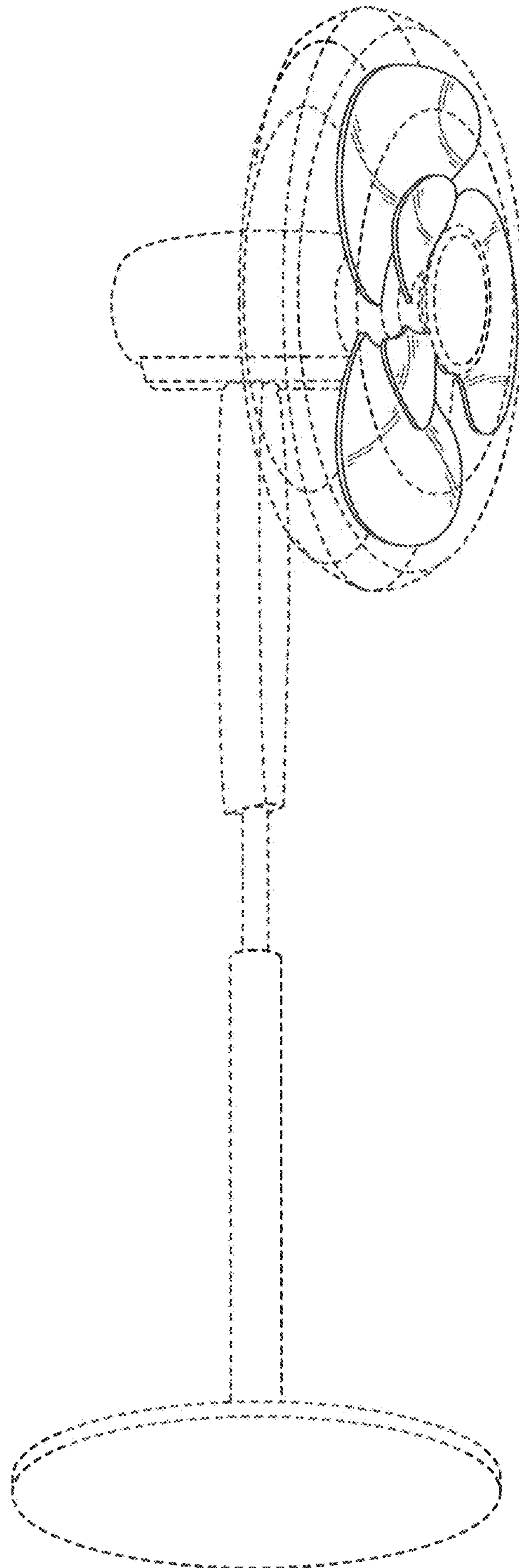


FIG. 2

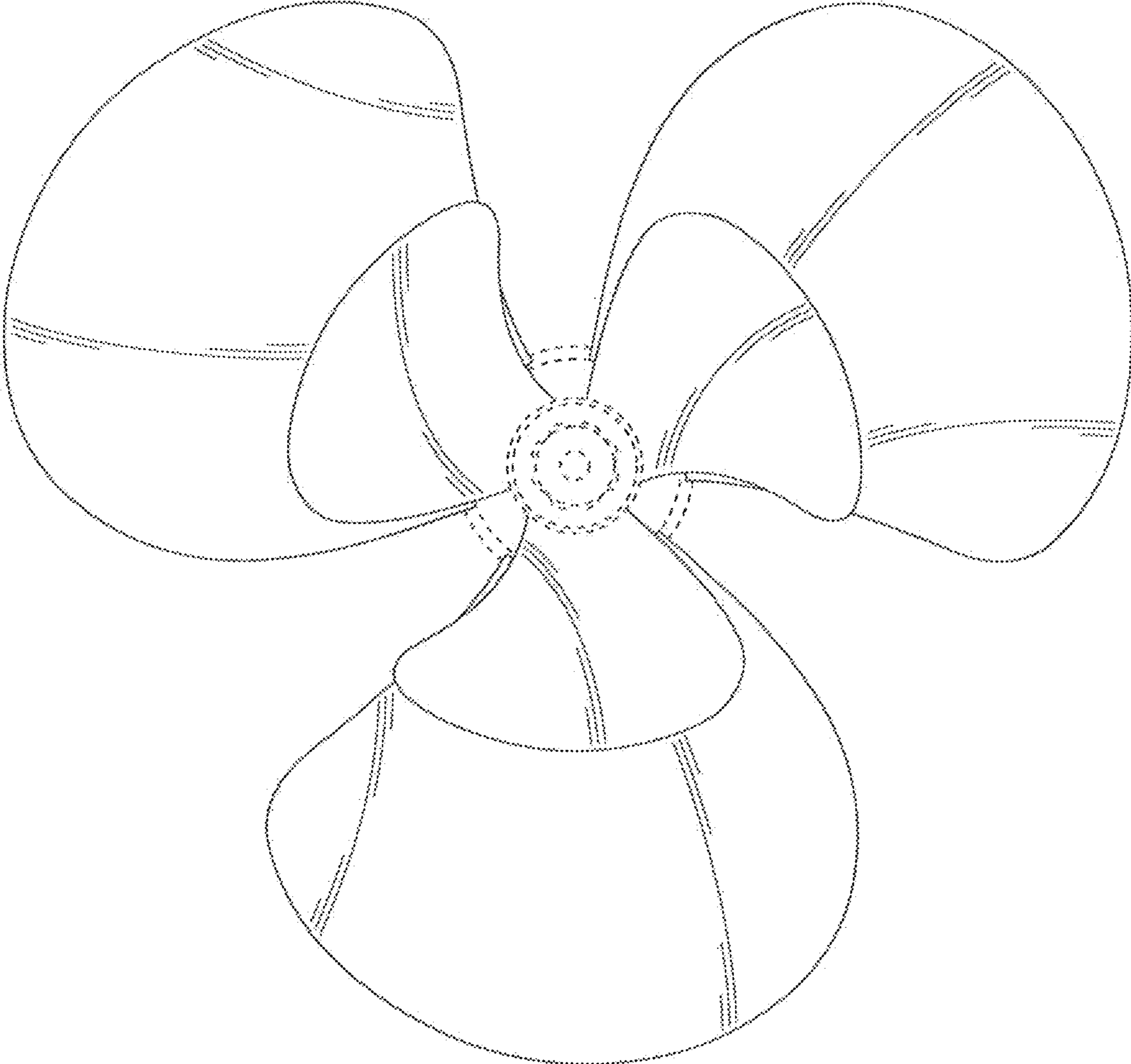


FIG. 3

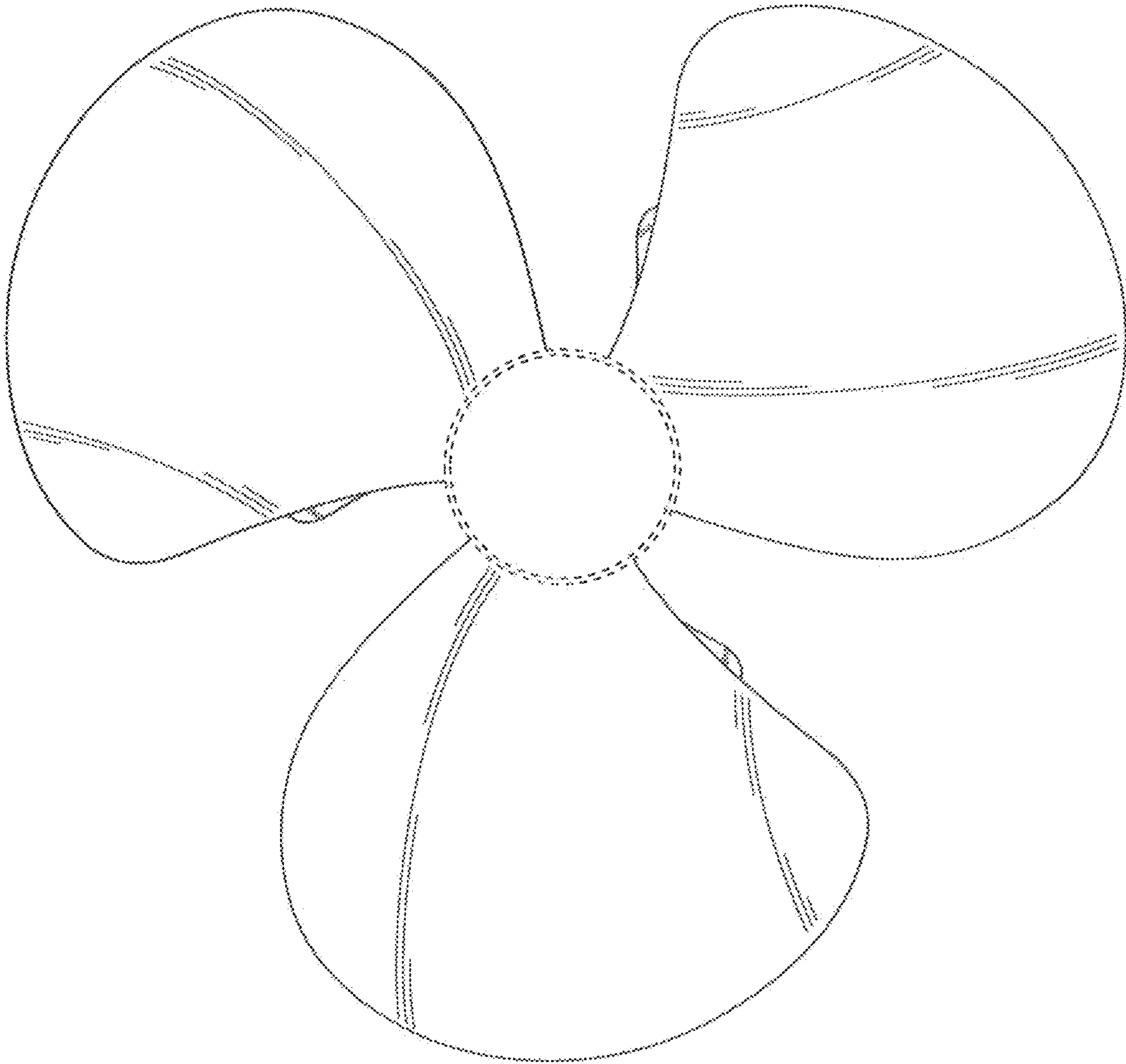


FIG. 4

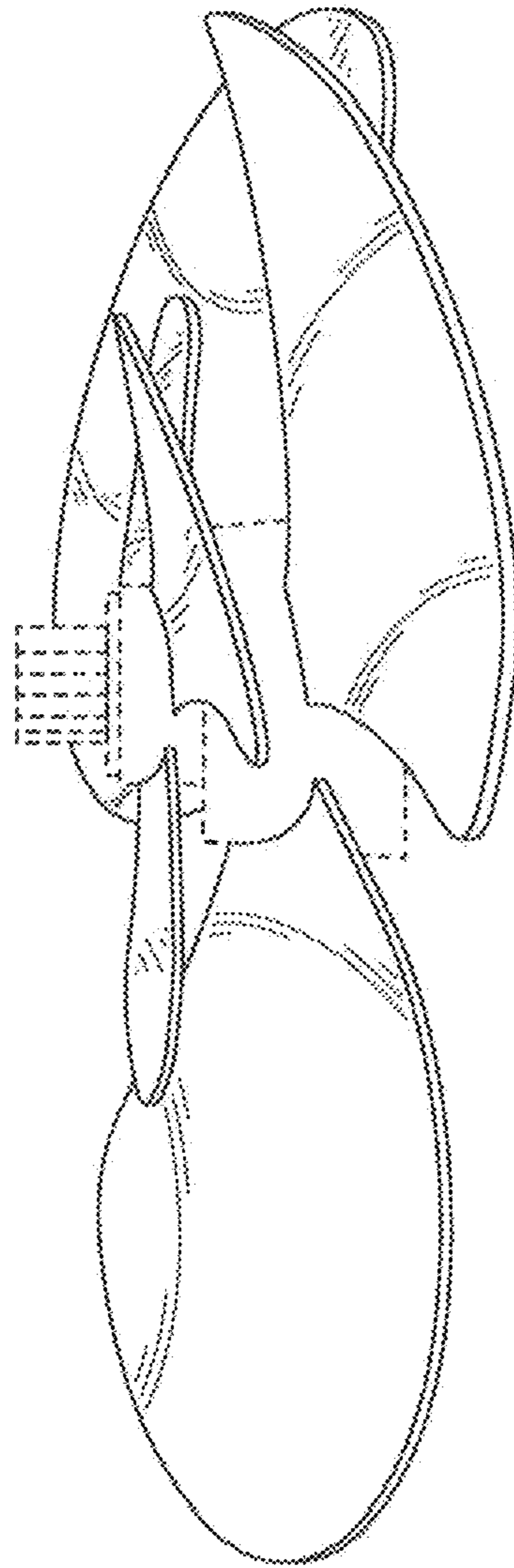


FIG. 5

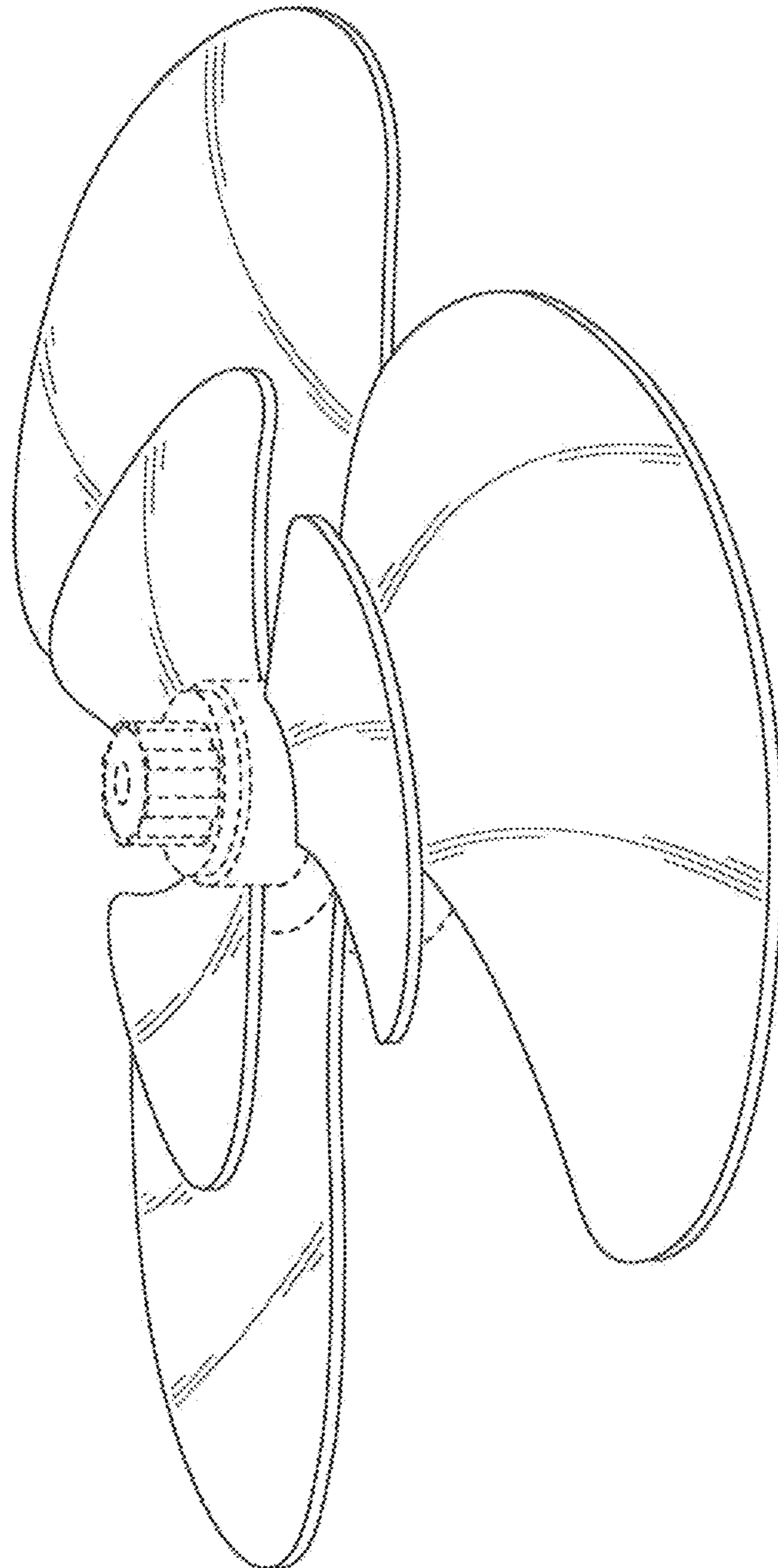


FIG. 6