



US00D879941S

(12) **United States Design Patent** (10) **Patent No.:** **US D879,941 S**
McRoberts et al. (45) **Date of Patent:** **** Mar. 31, 2020**

- (54) **CEILING FAN BLADE**
- (71) Applicant: **HUNTER FAN COMPANY**,
Memphis, TN (US)
- (72) Inventors: **Claire Bernice McRoberts**, Memphis,
TN (US); **Christine Holmes**, Memphis,
TN (US)
- (73) Assignee: **Hunter Fan Company**, Memphis, TN
(US)
- (**) Term: **15 Years**

- D279,822 S * 7/1985 Wheeler D26/118
- D314,618 S 2/1991 Yen
- D318,725 S * 7/1991 Jaeger D23/377
- 5,066,196 A * 11/1991 Morofushi F04D 29/325
416/234
- D322,475 S 12/1991 Markwardt et al.
- D328,785 S 8/1992 Markwardt
- D328,948 S 8/1992 Wang
- D334,055 S * 3/1993 Oyama D23/377
- D341,419 S * 11/1993 Taylor, III D23/413
- D344,129 S 2/1994 Markwardt
(Continued)

- (21) Appl. No.: **29/611,952**
- (22) Filed: **Jul. 27, 2017**

Related U.S. Application Data

- (62) Division of application No. 29/553,853, filed on Feb. 5, 2016, now Pat. No. Des. 804,629.
- (51) **LOC (12) Cl.** **23-03**
- (52) **U.S. Cl.**
USPC **D23/413**
- (58) **Field of Classification Search**
USPC D23/314, 317, 324, 328, 332-342, 351,
D23/352, 354, 355, 356, 359, 362, 364,
D23/370-385, 386-389, 393, 397,
D23/411-414; D12/214, 317, 339, 344,
D12/345
CPC F04D 25/088; F04D 25/08; F04D 29/38;
F04D 29/384; F04D 29/386; F04D
29/388; F04D 29/325; F04D 25/02; F04D
29/682; F04D 29/684
See application file for complete search history.

- (56) **References Cited**
U.S. PATENT DOCUMENTS

D246,796 S * 12/1977 Laymon D23/413
4,073,598 A 2/1978 Mizutani et al.

OTHER PUBLICATIONS

<http://www.minkagroup.net/minka-aire/products>, Item Specification for Roto F524-ABD 52" 3 Blade Ceiling Fan in Brushed Aluminum Finish with Silver Blades, accessed Feb. 4, 2016.

(Continued)

Primary Examiner — Cathron C Brooks
Assistant Examiner — Sharon S Oum
(74) *Attorney, Agent, or Firm* — McGarry Bair PC

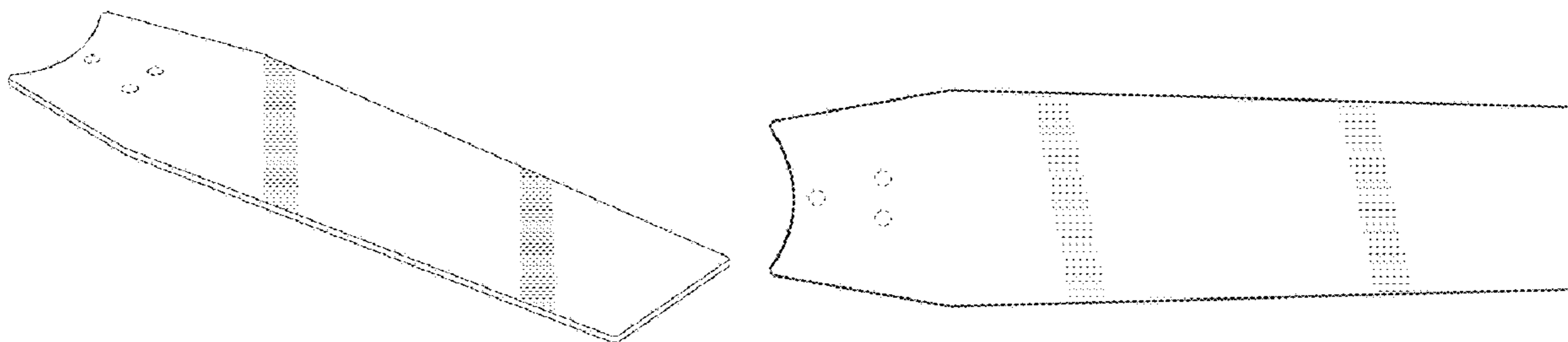
(57) **CLAIM**

The ornamental design for a ceiling fan blade, as shown and described.

DESCRIPTION

FIG. 1 is a top perspective view of a ceiling fan blade shown in the environment of a ceiling fan;
FIG. 2 is a top perspective view thereof;
FIG. 3 is a bottom perspective view thereof;
FIG. 4 is a top view thereof;
FIG. 5 is a side view thereof;
FIG. 6 is a rear view thereof; and,
FIG. 7 is a front view thereof.
The broken lines illustrate portions of the ceiling fan blade and environmental structure. None of the broken lines form part of the claimed design.

1 Claim, 5 Drawing Sheets



(56)

References Cited

U.S. PATENT DOCUMENTS

D346,858	S *	5/1994	Lee	D23/377
D356,152	S *	3/1995	Collmar	D23/377
D377,975	S *	2/1997	Young	D23/377
D384,737	S *	10/1997	Gee, II	D23/377
D385,026	S *	10/1997	Liu	D23/377
D387,149	S *	12/1997	Tsuji	D23/377
D389,908	S	1/1998	Dolan		
D396,530	S *	7/1998	Tai	D23/377
D408,515	S *	4/1999	Evans	D23/377
D421,113	S	2/2000	Zuege		
D444,870	S *	7/2001	Lee	D23/377
D453,216	S	1/2002	Gajewski		
D478,161	S *	8/2003	Collmar	D23/377
D523,545	S *	6/2006	Young	D23/377
D524,927	S *	7/2006	Young	D23/377
D532,510	S	11/2006	Pickett		
7,210,910	B1	5/2007	Parker et al.		
D599,473	S *	9/2009	Klausing	D23/413
D599,474	S *	9/2009	Klausing	D23/413
7,592,702	B2	9/2009	Lewis et al.		
7,665,967	B1	2/2010	Parker et al.		
D627,456	S	11/2010	Glasbrenner		
D627,873	S	11/2010	Pan		
D627,874	S	11/2010	Pan		
D628,688	S *	12/2010	Pan	D23/377
D632,381	S	2/2011	Davenport et al.		
D632,384	S	2/2011	Pan		
D705,970	S	5/2014	Ertze		
D707,336	S	6/2014	Pan		
D715,917	S	10/2014	Hidalgo		
D744,084	S *	11/2015	Wang	D23/413
D744,634	S	12/2015	Wang		
D751,187	S	3/2016	Dolan		
D801,510	S *	10/2017	O'Connell	D23/377
D804,629	S *	12/2017	McRoberts	D23/377
D804,630	S *	12/2017	Holmes	D23/377
D804,641	S *	12/2017	McRoberts	D23/377
D804,648	S *	12/2017	McRoberts	D23/413
D808,508	S *	1/2018	Guthrie	D23/377
D809,118	S *	1/2018	Guthrie	D23/377
D831,356	S *	10/2018	Ryan	D3/318

OTHER PUBLICATIONS

http://www.homedepot.com/p/Westinghouse-Industrial-56-in-Brushed-Nickel-Ceiling-Fan-7861400/202759709?MERCH=REC--PIPHorizontal1_rr--205791277--202759709--N, Westinghouse Industrial 56 in. Brushed Nickel Ceiling Fan, Model # 7861400, accessed Feb. 4, 2016.

http://www.cgglobal.com/frontend/cp_product.aspx?id=JiFIOQIrp7g=&catid%20=0FwOFC0udGs, Crompton Greaves Mountainbreeze Deco, accessed Feb. 4, 2016.

<http://www.kingoffans.com/#/products/ceilingFans>, King of Fan Industrial Model # 92856, accessed Feb. 4, 2016.

<http://www.homedepot.com/p/Hampton-Bay-Industrial-60-in-Brushed-Steel-Indoor-Energy-Star-Ceiling-Fan-52869/202670136>, Hampton Bay Model # 52869 Internet # 202670136 Store SKU # 434940 Industrial 60 in. Brushed Steel Indoor Energy Star Ceiling Fan, accessed Feb. 4, 2016.

http://www.lowes.com/pd_698417-82939-40764_1z0vgaxZ1z140v4_?productId=999945836&pl=1, Harbor Breeze 48-in Brushed Nickel Downrod or Close Mount Indoor Ceiling Fan with Light Kit (3-Blade) Item #: 698417 | Model #: 40764, accessed Feb. 4, 2016.

<http://www.minkagroup.net/minka-aire/products>, Minka Aire Java F753-BNW Java, accessed Feb. 4, 2016.

<http://www.homedepot.com/p/Hampton-Bay-Kemper-II-52-in-Liquid-Nickel-Ceiling-Fan-AL663A-LN/203245520>, Hampton Bay Model # AL663A-LN Internet # 203245520 Kemper II 52 in. Liquid Nickel Ceiling Fan, accessed Feb. 4, 2016.

<http://ceilingfans.emerson.com/shop/en/fan/fans-s-emerson-fans/fans-s-contemporary/loft-fan-p-cf765>, Emerson Loft SKU: CF765WW, accessed Feb. 4, 2016.

<http://ceilingfans.emerson.com/shop/en/fan/fans-s-emerson-fans/fans-s-pro-series/56-industrial-fan-p-hf956>, Emerson 56" Industrial SKU: HF956BS, accessed Feb. 4, 2016.

<http://www.montecarlofans.com/44073/60in-Empire---Brushed-Steel-8EER60BSD.html>, 60" Empire—Brushed Steel Product #: 8EER60BSD, accessed Feb. 4, 2016.

<http://www.craftmade.com/Craftmade-VE58FB3-Flat-Black-Ceiling-Fan.HTM>, Craftmade Velocity 58" Ceiling Fan Blades Included in Flat Black Product #: VE58FB3 (647881105303-168162), accessed Feb. 4, 2016.

<http://www.fanimation.com/products/index.php/catalogsearch/result/?q=ascension>, Ascension SKU: FP6717 Categories: Fans, Indoor, Damp Rated, accessed Feb. 4, 2016.

<http://www.kichler.com/products/product/56-inch-industrial-fan-sbk-337015sbk.aspx>, Industrial Collection 56 Inch Industrial Fan SBK 337015SBK (Satin Black), accessed Feb. 4, 2016.

<http://www.hunterpacific.com.au/typhoonM2.php>, Typhoon Mach 2, accessed Feb. 4, 2016.

<http://www.kichler.com/products/product/48-in-pc-blade-for-arkwright-ap-370029ap.aspx>, 370029AP (Antique Pewter), accessed Feb. 4, 2016.

<http://www.minkagroup.net/minka-aire/products>, F828-ORB Symbio SelectDescription Details Manual & Specs 56" Ceiling Fan in Brushed Nickel Finish with Medium Maple Blades with Tea Stain Glass, accessed Feb. 4, 2016.

<http://www.minkagroup.net/minka-aire/products>, F531-L-BN Flyte® Select Description Details Manual & Specs 56" 3 Blades in Brushed Nickel Finish w/Birdseye Maple Blades w/ White Opal Glass, accessed Feb. 4, 2016.

<http://www.modernfan.com/products/torsion.html>, Cooly by design, Torsion, accessed Feb. 4, 2016.

<http://www.hunterfan.com/Ceiling-Fans/Stockbridge?ModelNumber=55042>, Stockbridge®—70" Ceiling Fan 55042 New Bronze Finish 5 Walnut / Medium Oak Reversible Plywood blades included, accessed Feb. 4, 2016.

Canarm LTD Calibre BPT 48 Frosted Glass 1 Bulb Light Kit, date first available Jul. 10, 2009, amazon.com, site visited Jun. 1, 2017, Copyright © 1994-2017, Available from Internet, https://www.amazon.com/dp/B002EVPNWI/ref=psdc_404433011_t3_B0045CVL6G.

Fanimation FP4640OB Zonix Wet Location Ceiling Fan, date first available Feb. 15, 2010, amazon.com, site visited Jun. 1, 2017, Copyright © 1994-2017, Available from Internet, https://www.amazon.com/Fanimation-FP4640OB-Location-Ceiling-Rubbed/dp/B004SE1XSW/ref=sr_1_3?ie=UTF8&qid=1496350008&sr=8-3&keywords=fanimation+zonix.

* cited by examiner

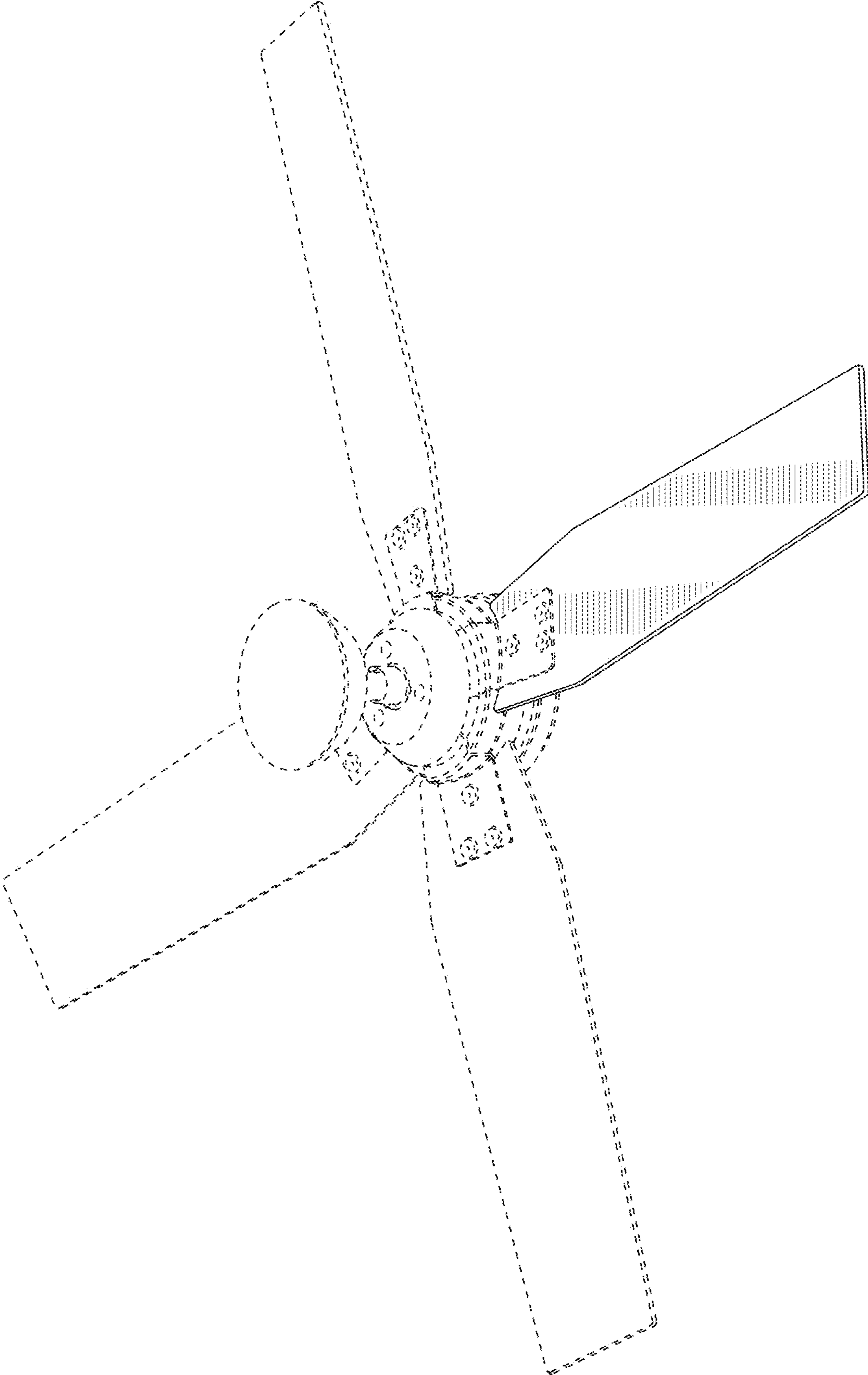


FIG. 1

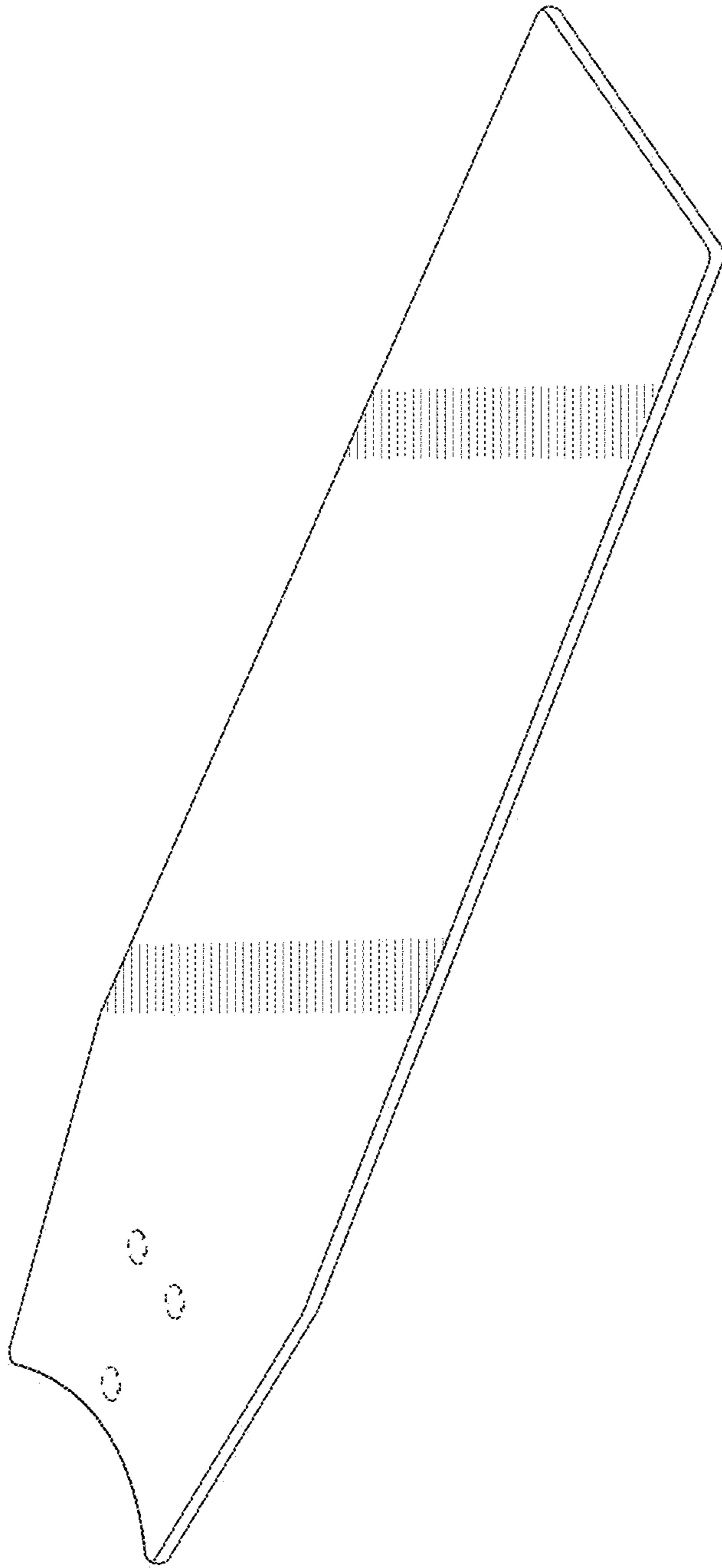


FIG. 2

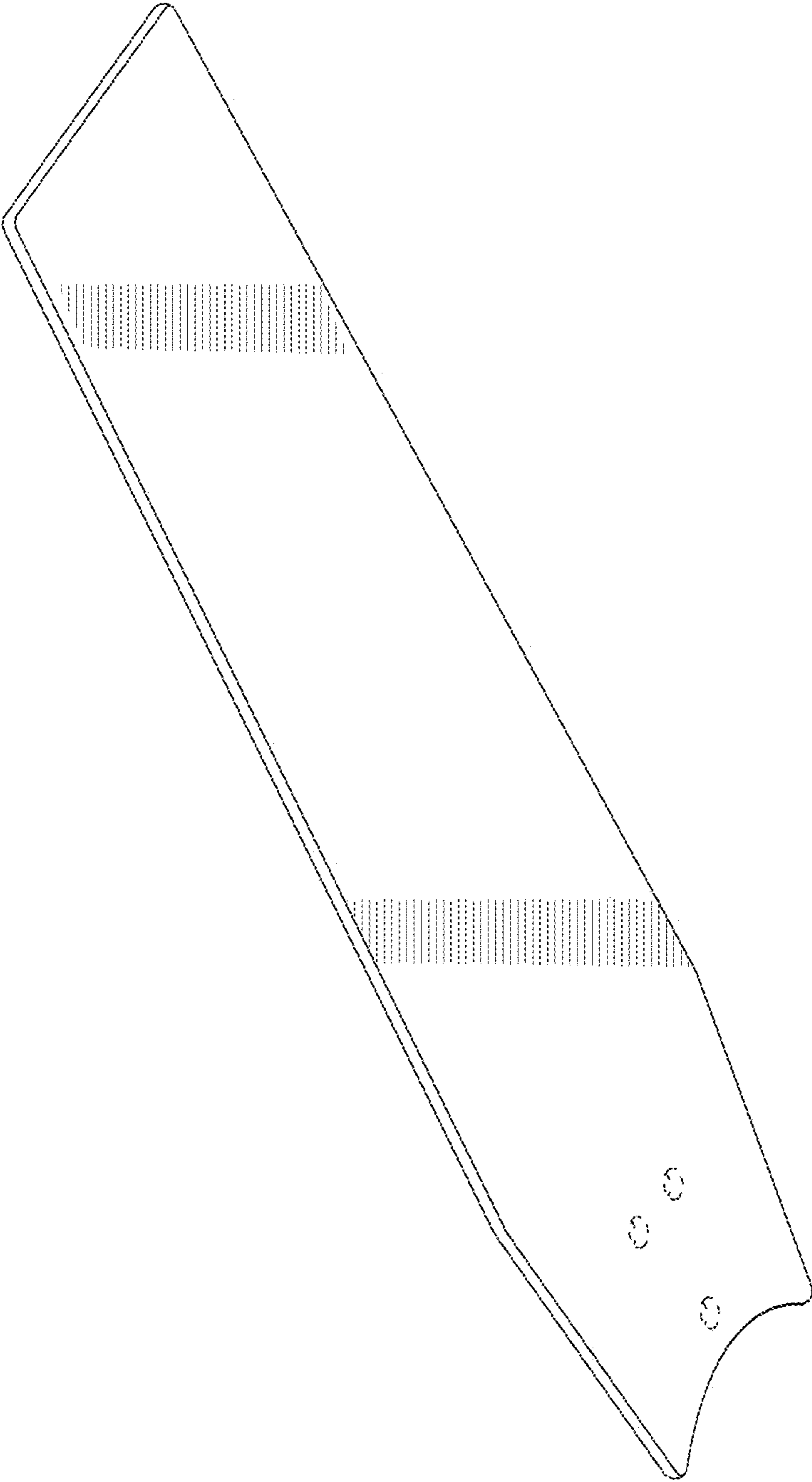


FIG. 3

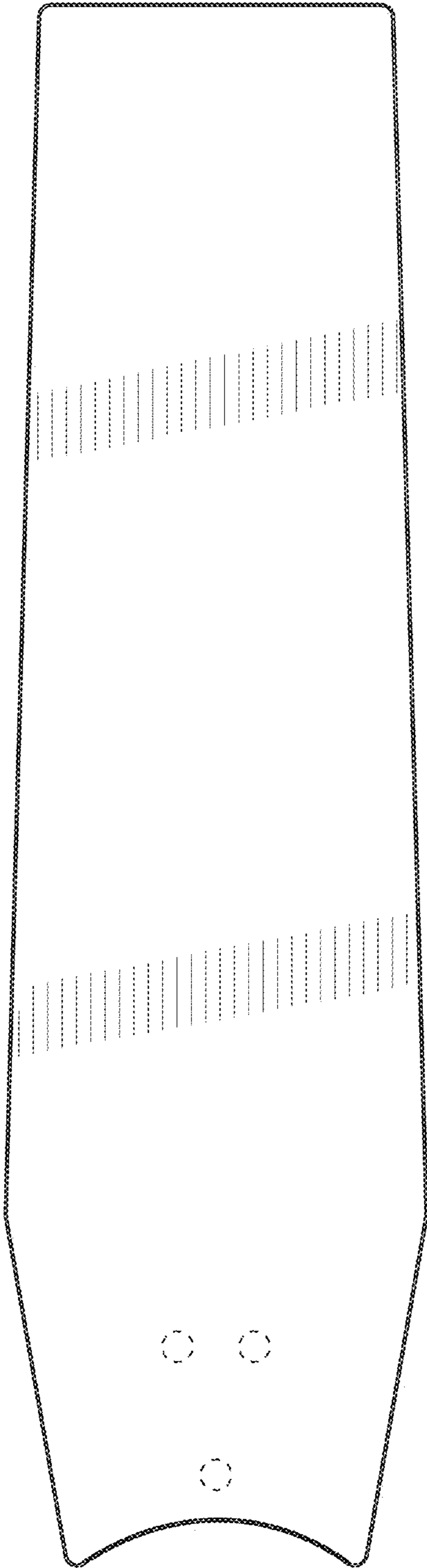


FIG. 4

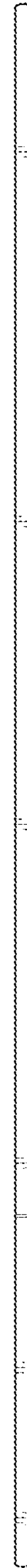


FIG. 5

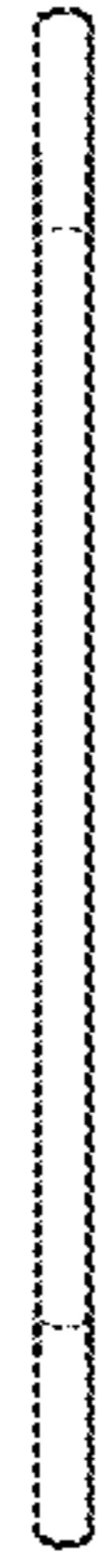


FIG. 6

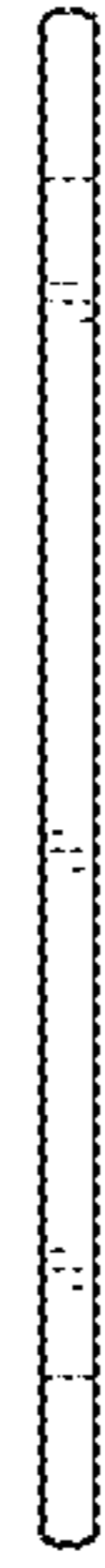


FIG. 7