



US00D879940S

(12) **United States Design Patent**
Orozco

(10) **Patent No.:** **US D879,940 S**

(45) **Date of Patent:** **** Mar. 31, 2020**

(54) **CEILING FAN HOUSING WITH LIGHT KIT**

(71) Applicant: **Sergio Orozco**, New York, NY (US)

(72) Inventor: **Sergio Orozco**, New York, NY (US)

(**) Term: **15 Years**

(21) Appl. No.: **29/659,462**

(22) Filed: **Aug. 9, 2018**

(51) **LOC (12) Cl.** **23-03**

(52) **U.S. Cl.**
USPC **D23/411**; D26/59

(58) **Field of Classification Search**
USPC D23/370–385, 411–414; D26/59, 49, 72,
D26/89, 118, 124; D12/214, 339, 344
CPC F04D 25/088; F04D 29/38; F04D 29/384;
F04D 29/386; F21V 33/0096
See application file for complete search history.

(56) **References Cited**

U.S. PATENT DOCUMENTS

D344,606 S *	2/1994	Fouke	D26/130
D402,382 S *	12/1998	Pearce	D26/85
D408,518 S *	4/1999	Liu	D23/377
D464,164 S *	10/2002	Thompson	D26/89
D468,049 S *	12/2002	Ries	D26/89
D482,816 S *	11/2003	Packer	D26/61
D488,554 S *	4/2004	Bacon	D23/411
D551,796 S *	9/2007	Acedo	D26/88
D598,998 S *	8/2009	Flores	D23/377
D627,454 S *	11/2010	Pan	D23/377
D632,412 S *	2/2011	Pan	D26/59
D633,611 S *	3/2011	Pan	D23/377
D774,176 S *	12/2016	Wang	D23/385
D789,511 S *	6/2017	Wang	D23/377
D796,660 S *	9/2017	Schulzman	D23/377

D808,512 S *	1/2018	Hidalgo	D23/411
D812,215 S *	3/2018	Hidalgo	D23/377
D821,559 S *	6/2018	Hidalgo	D23/377
D833,597 S *	11/2018	Hidalgo	D23/377
D851,234 S *	6/2019	Hidalgo	D23/377
D861,152 S *	9/2019	Orozco	D23/377

* cited by examiner

Primary Examiner — Cathron C Brooks

Assistant Examiner — Sharon S Oum

(74) *Attorney, Agent, or Firm* — Muncy, Geissler, Olds & Lowe, P.C.

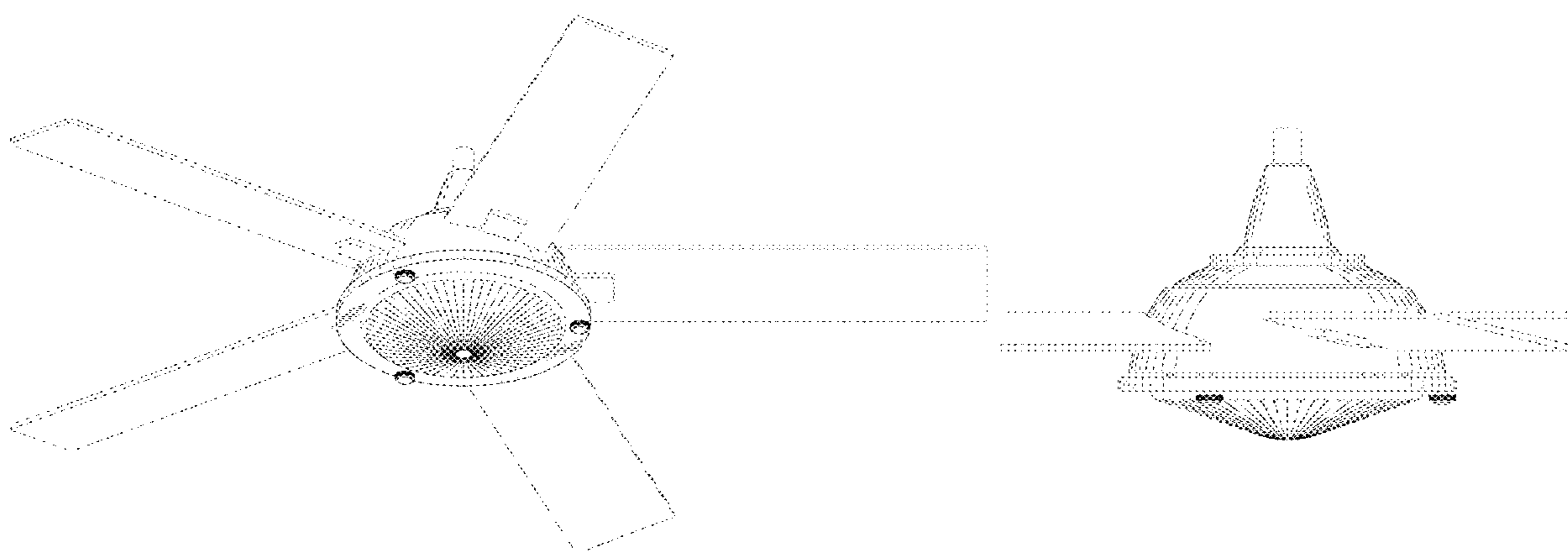
(57) **CLAIM**

The ornamental design for a ceiling fan housing with light kit, as shown and described.

DESCRIPTION

FIG. 1 is a perspective view of a ceiling fan housing with light kit, showing the new design;
 FIG. 2 is an enlarged perspective view thereof;
 FIG. 3 is an enlarged front elevational view thereof;
 FIG. 4 is an enlarged rear elevational view thereof;
 FIG. 5 is an enlarged left side elevational view thereof;
 FIG. 6 is an enlarged right side elevational view thereof;
 FIG. 7 is an enlarged top plan view thereof;
 FIG. 8 is an enlarged bottom plan view thereof;
 FIG. 9 is an enlarged left elevational view of a portion thereof; and,
 FIG. 10 is an enlarged bottom plan view of a portion thereof. The broken lines illustrate portions of the ceiling fan housing with light kit, and also illustrate environmental structure. The broken lines form no part of the claimed design.

1 Claim, 10 Drawing Sheets



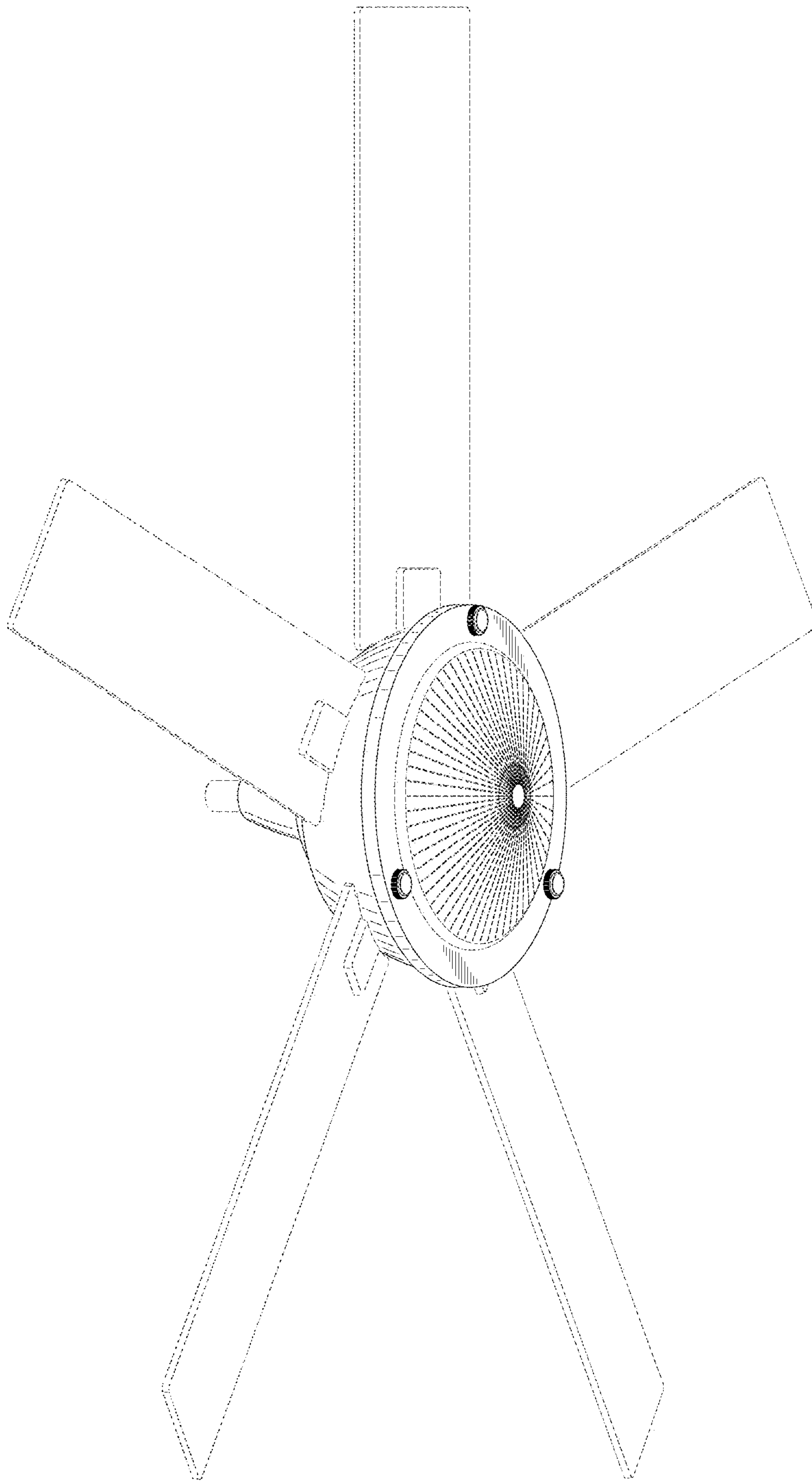


FIG. 1

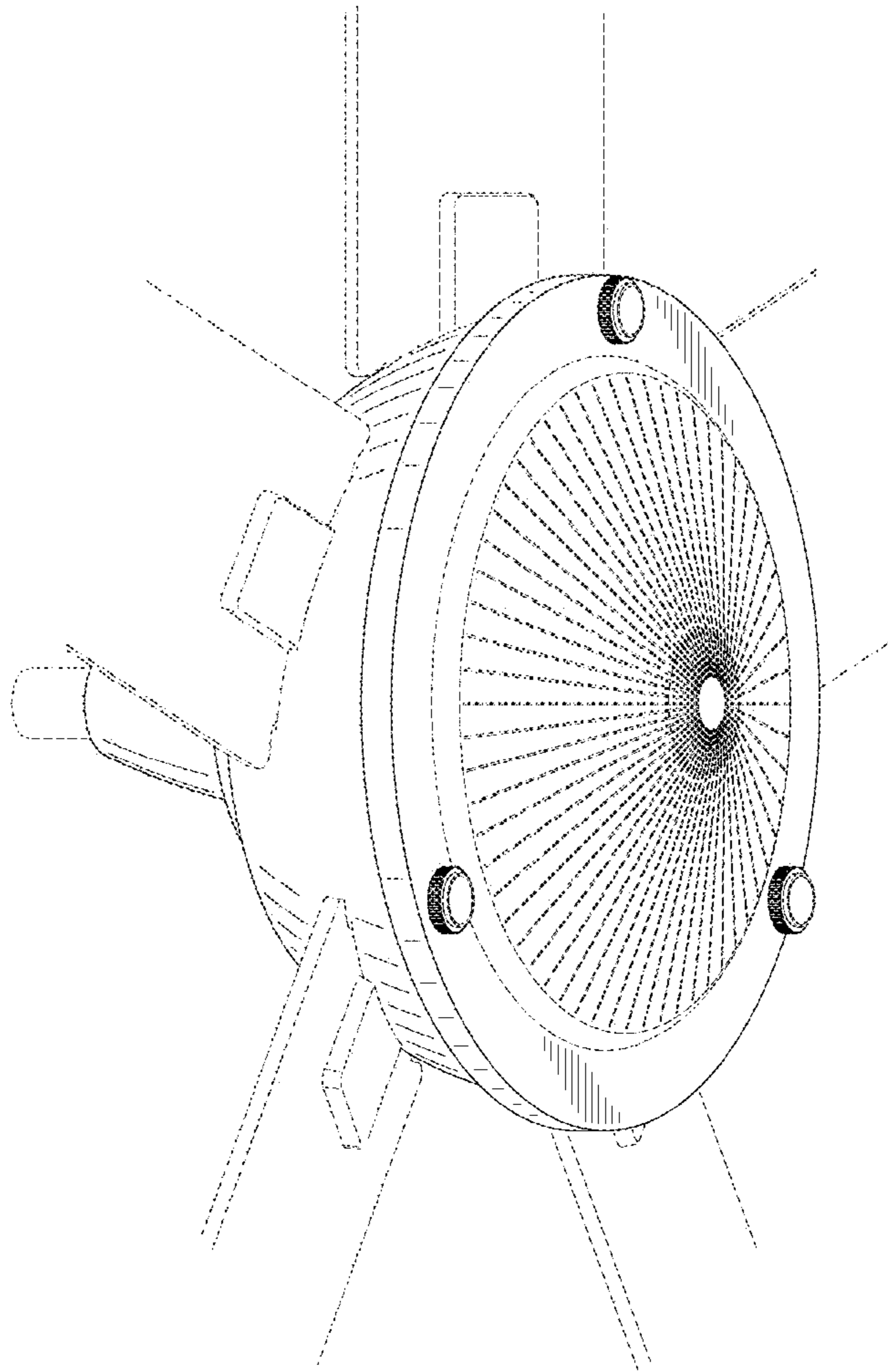


FIG. 2

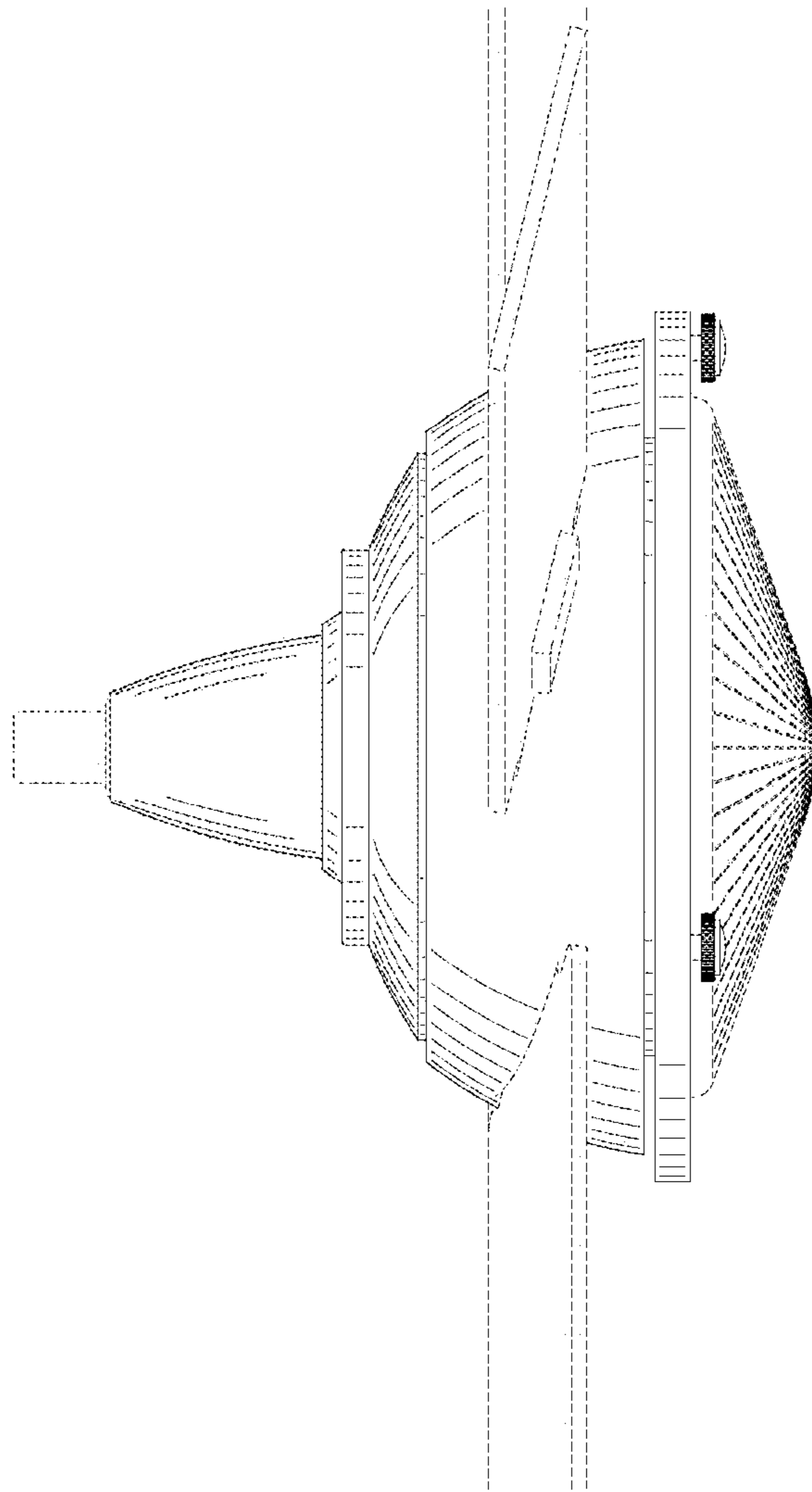


FIG. 3

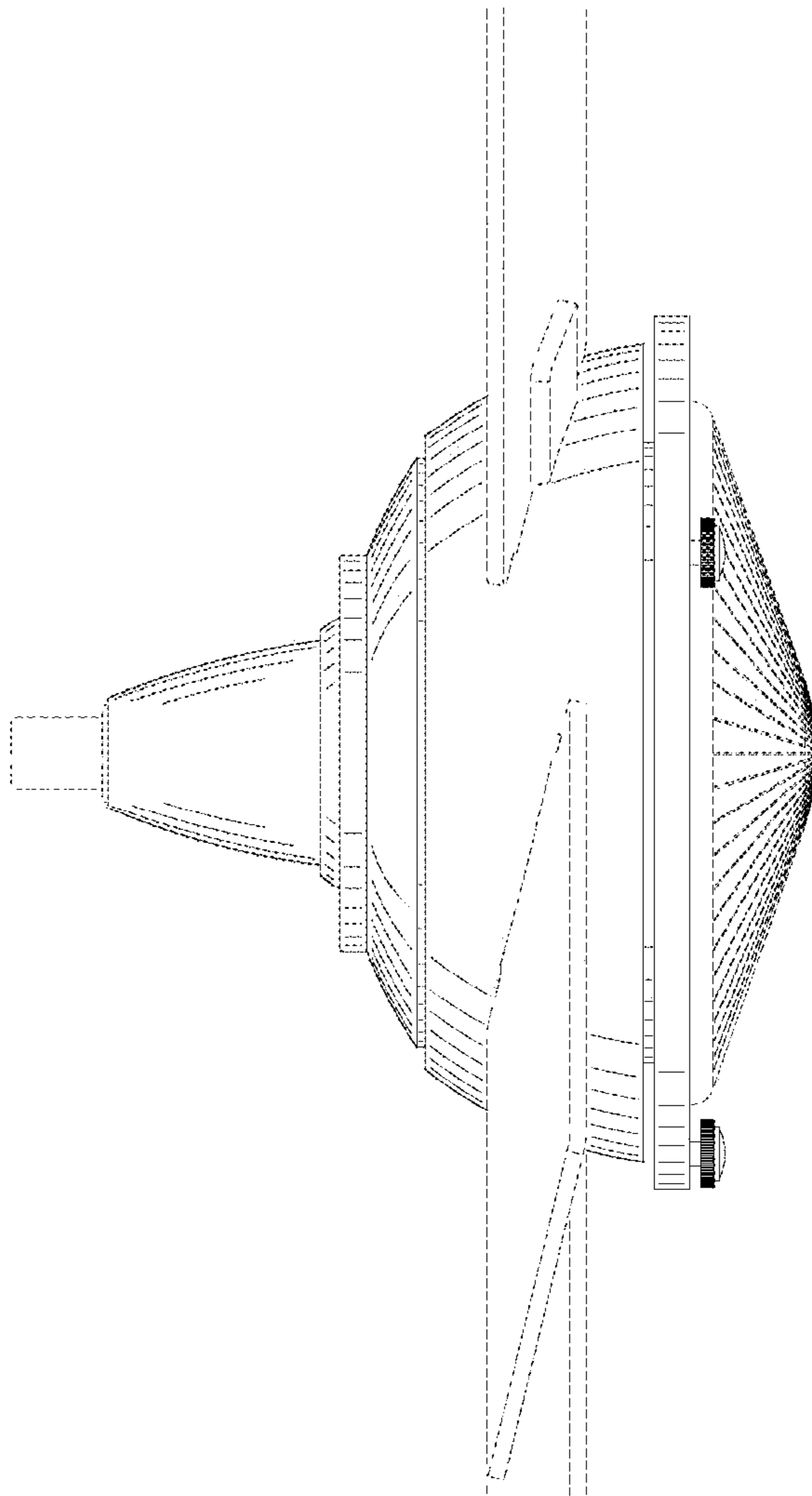


FIG. 4

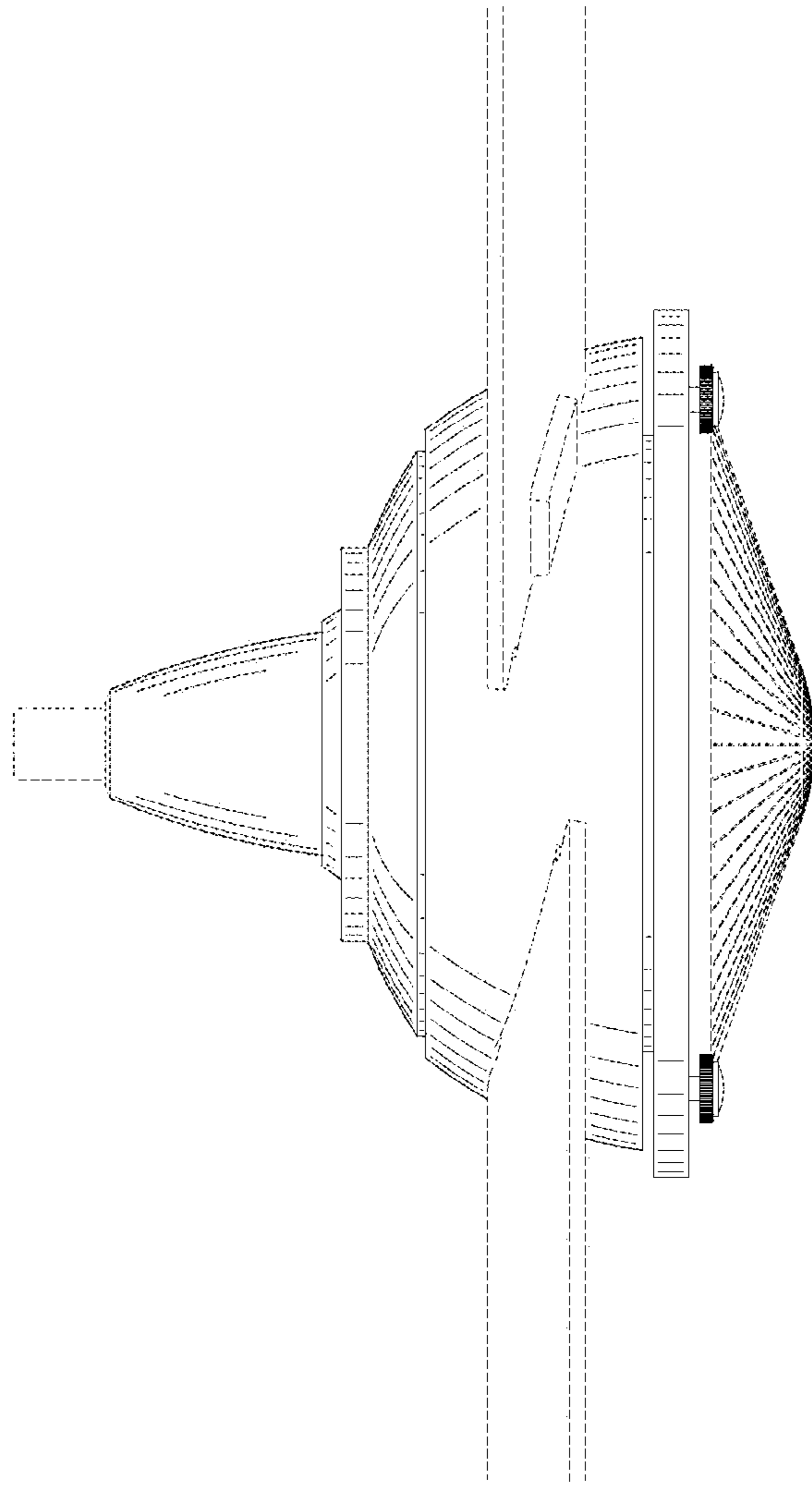


FIG. 5

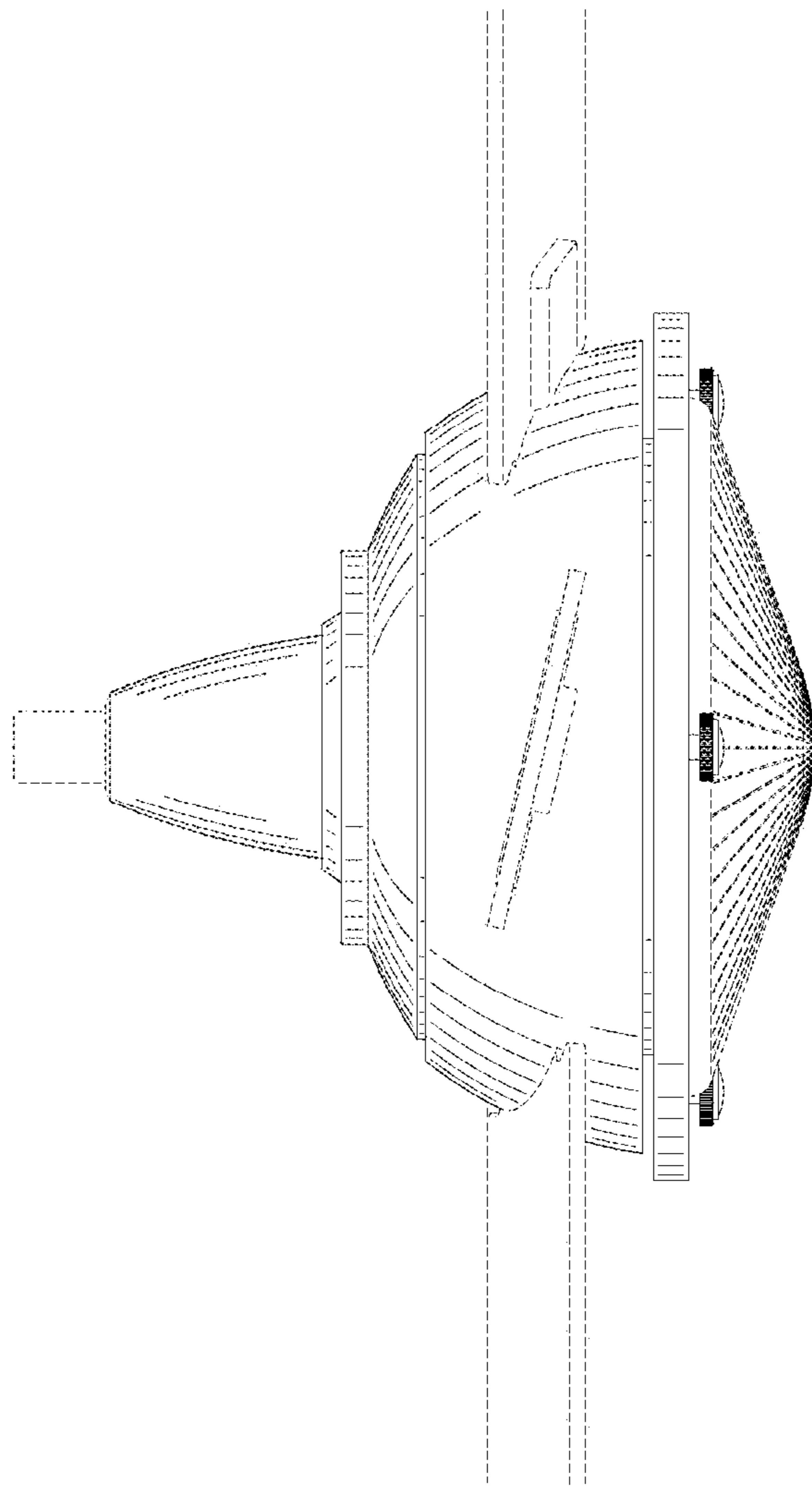


FIG. 6

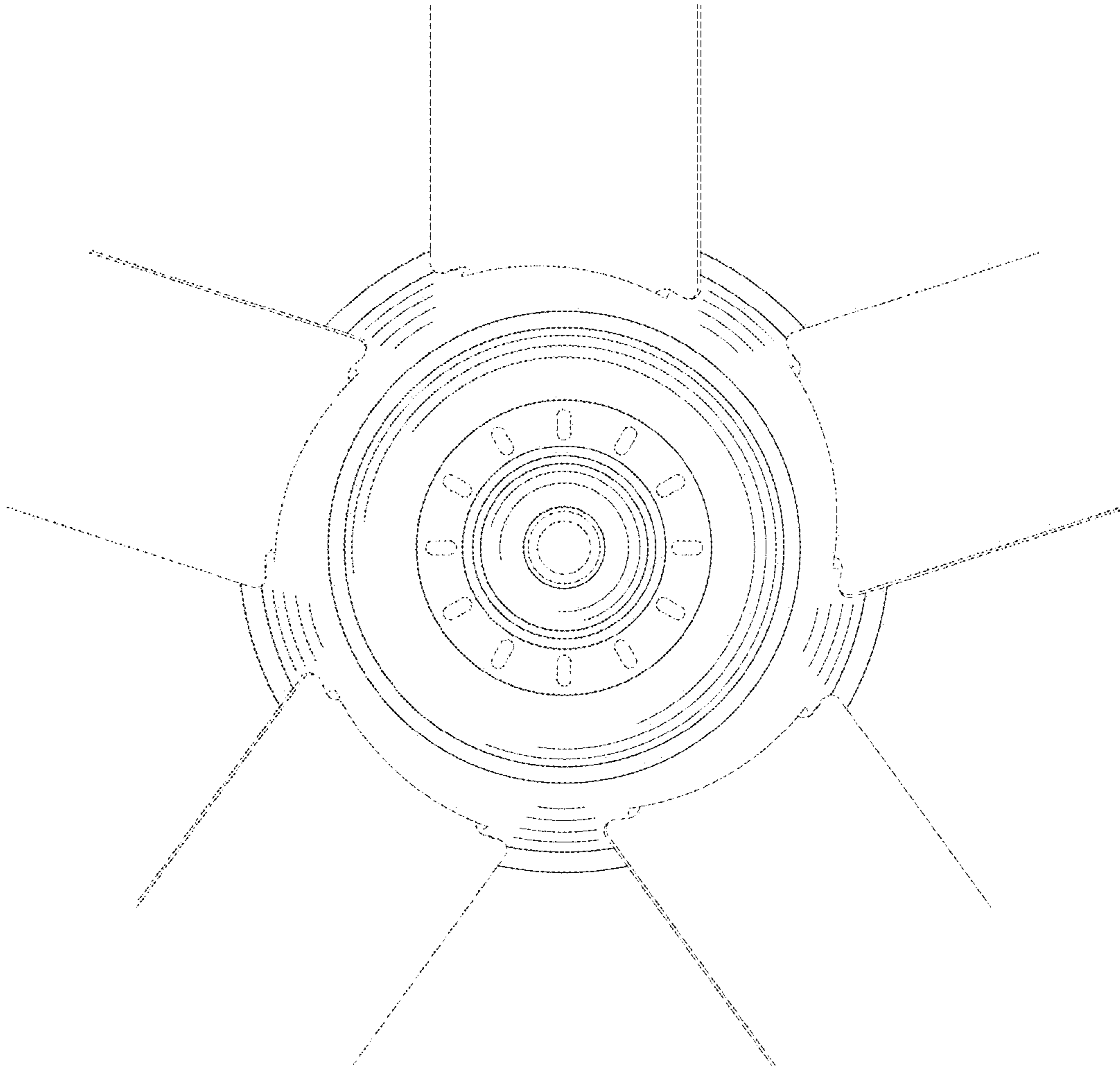


FIG. 7

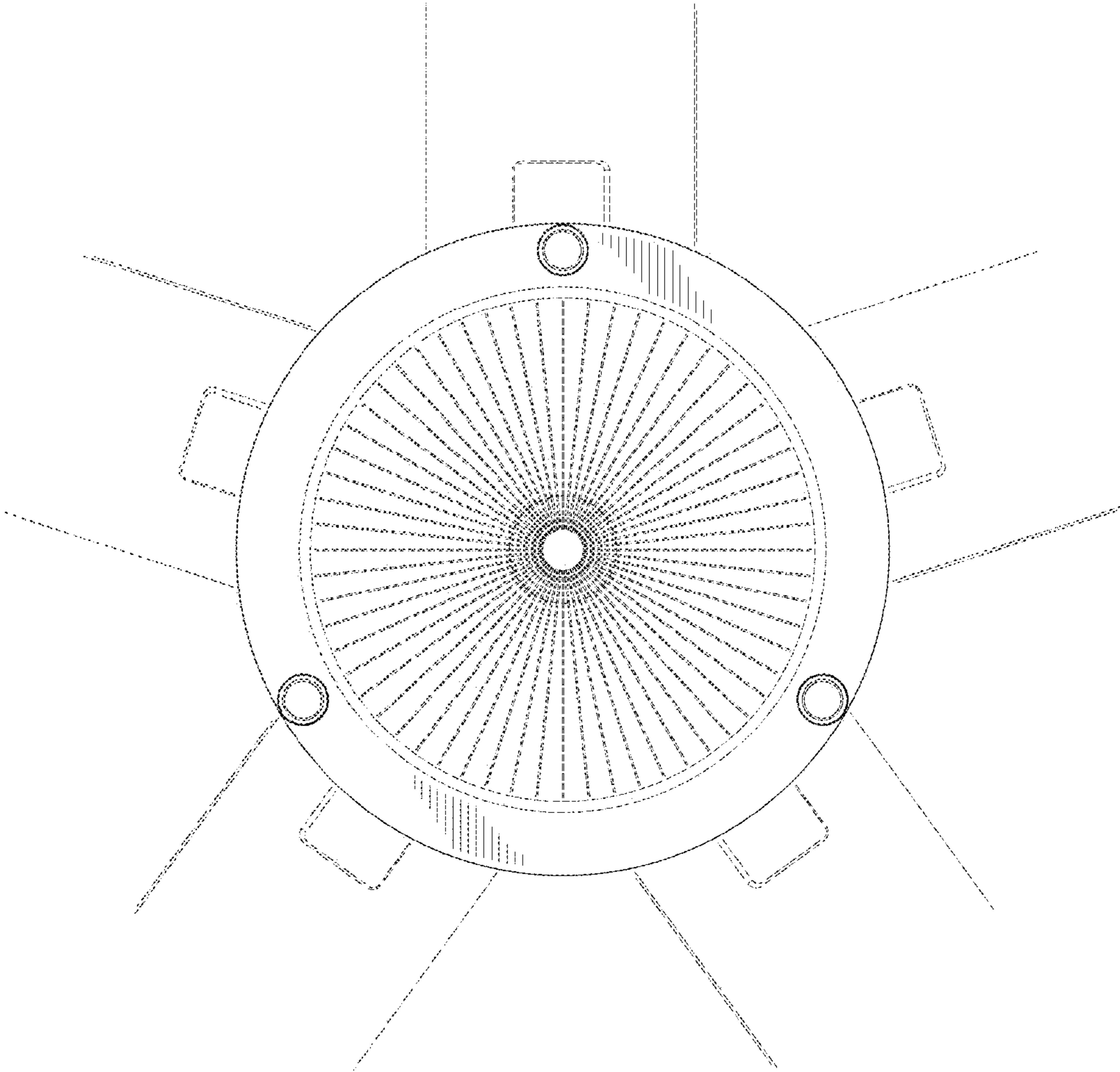


FIG. 8

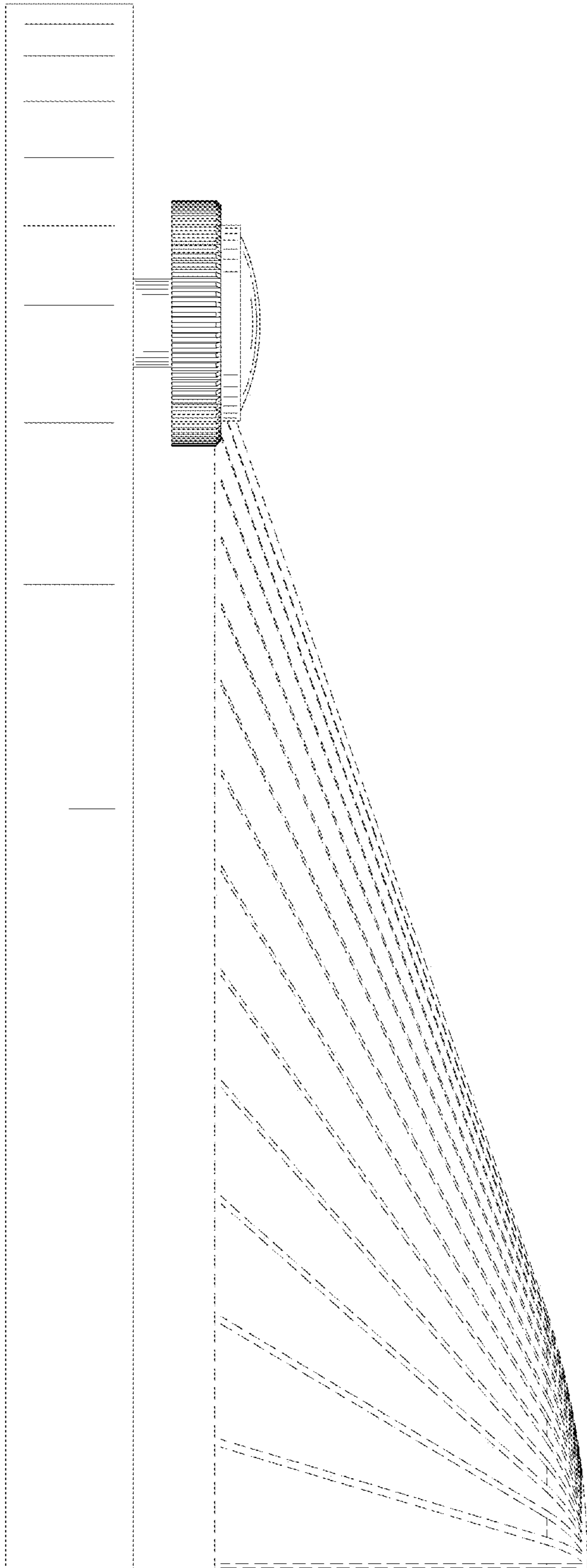


FIG. 9

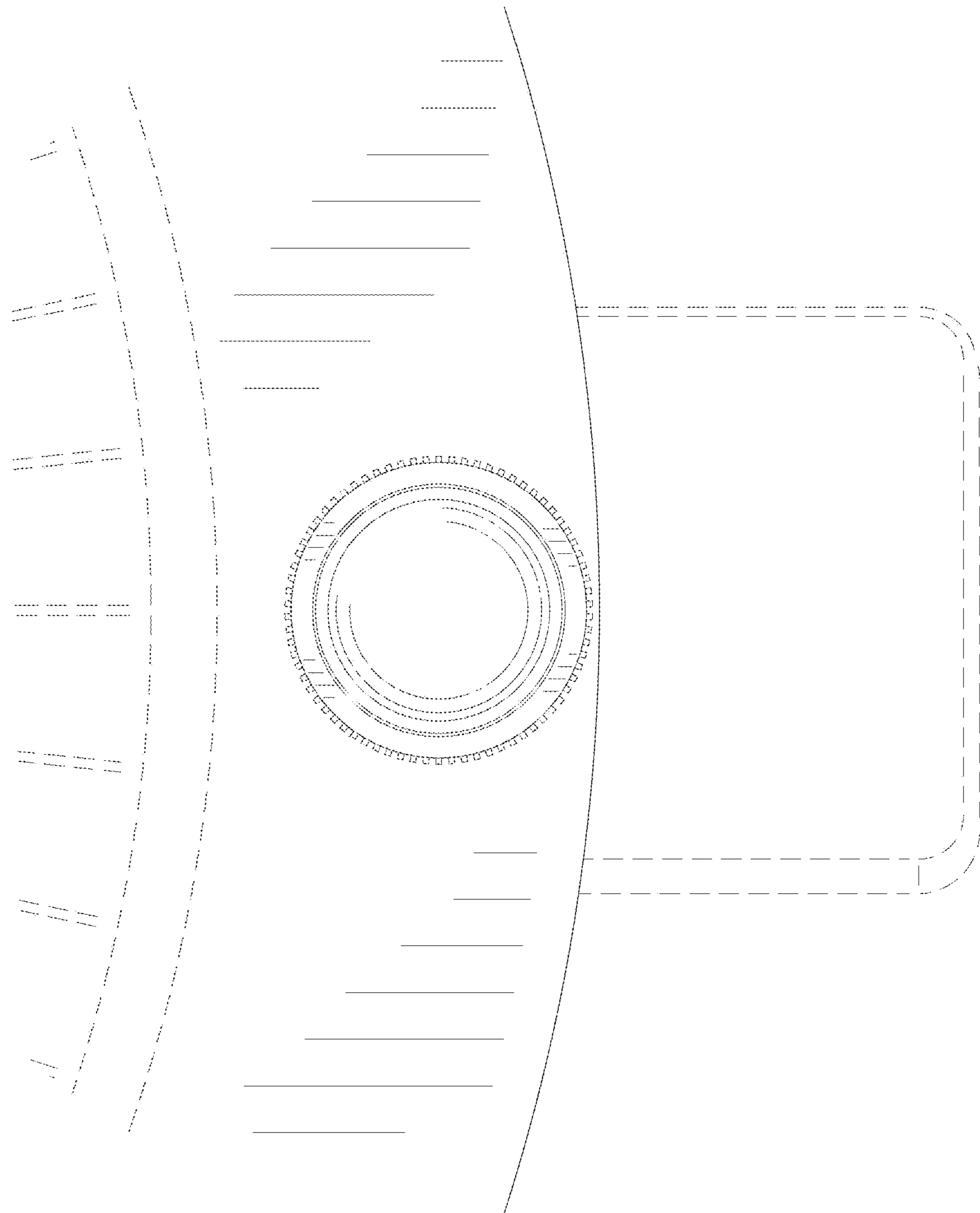


FIG. 10