



US00D879936S

(12) **United States Design Patent**
Schulzman

(10) **Patent No.:** **US D879,936 S**

(45) **Date of Patent:** **** *Mar. 31, 2020**

(54) **COMBINATION CEILING FAN AND LIGHT FIXTURE**

(71) Applicant: **Minka Lighting, Inc.**, Corona, CA (US)

(72) Inventor: **Kurt Schulzman**, Long Beach, CA (US)

(73) Assignee: **Minka Lighting, Inc.**, Corona, CA (US)

(*) Notice: This patent is subject to a terminal disclaimer.

(**) Term: **15 Years**

(21) Appl. No.: **29/670,037**

(22) Filed: **Nov. 13, 2018**

Related U.S. Application Data

(63) Continuation of application No. 29/632,587, filed on Jan. 9, 2018, now Pat. No. Des. 833,596.

(51) **LOC (12) Cl.** **23-04**

(52) **U.S. Cl.**
USPC **D23/377; D23/385**

(58) **Field of Classification Search**
USPC D23/370, 377, 379, 385, 411; D26/59
CPC F04D 25/088; F21V 33/0096
See application file for complete search history.

(56) **References Cited**

U.S. PATENT DOCUMENTS

| | | | | |
|--------------|---------|----------|-------|---------|
| D346,858 S * | 5/1994 | Lee | | D23/377 |
| D384,737 S * | 10/1997 | Gee, II | | D23/377 |
| D396,530 S * | 7/1998 | Tai | | D23/377 |
| D477,068 S * | 7/2003 | Hsieh | | D23/377 |
| D514,689 S * | 2/2006 | Gajewski | | D23/411 |
| D542,905 S * | 5/2007 | Young | | D23/377 |
| D549,814 S * | 8/2007 | Gajewski | | D23/377 |

| | | | | |
|-------------------|---------|-----------|-------|--------------------------|
| D572,814 S * | 7/2008 | Bucher | | D23/377 |
| D576,265 S * | 9/2008 | Bucher | | D23/377 |
| D590,489 S * | 4/2009 | Bucher | | D23/377 |
| D595,400 S * | 6/2009 | Young | | D23/377 |
| D599,459 S * | 9/2009 | Hidalgo | | D23/377 |
| D599,461 S * | 9/2009 | Ertze | | D23/377 |
| D715,418 S * | 10/2014 | Schulzman | | D23/377 |
| D743,523 S * | 11/2015 | Ertze | | D23/411 |
| D744,629 S * | 12/2015 | Wang | | D23/377 |
| D750,215 S * | 2/2016 | Gajewski | | D23/385 |
| D804,641 S * | 12/2017 | McRoberts | | D23/377 |
| D807,491 S * | 1/2018 | Haggar | | D23/377 |
| D833,596 S * | 11/2018 | Schulzman | | D23/377 |
| 2009/0129974 A1 * | 5/2009 | McEllen | | A61L 9/205 422/24 |
| 2010/0314941 A1 * | 12/2010 | Schulzman | | F04D 25/068 307/40 |
| 2015/0198180 A1 * | 7/2015 | Gajewski | | F04D 25/088 416/247 R |
| 2016/0319842 A1 * | 11/2016 | Botkin | | F04D 29/601 |

* cited by examiner

Primary Examiner — Janice Hallmark

(74) *Attorney, Agent, or Firm* — Seyfarth Shaw LLP

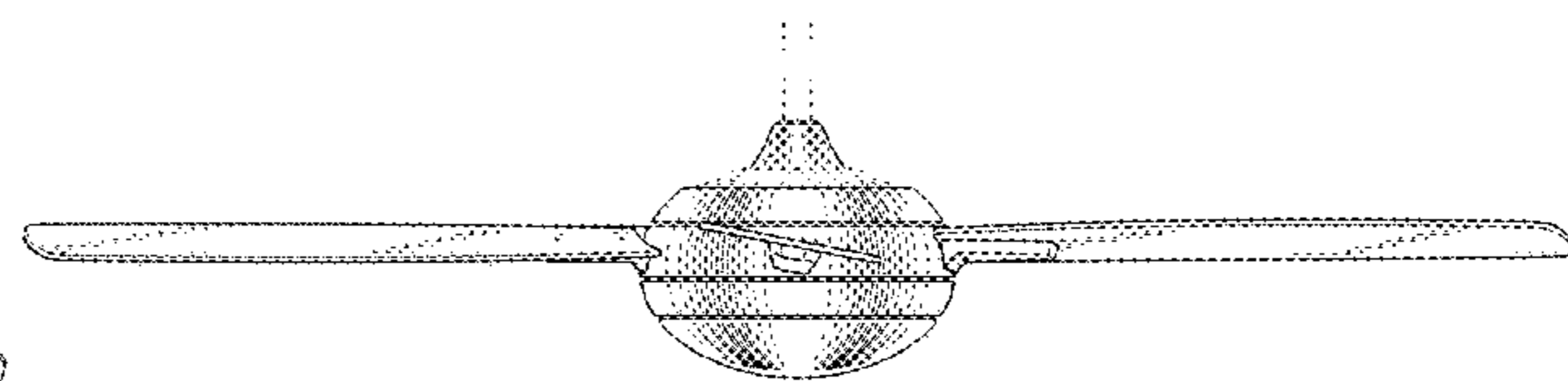
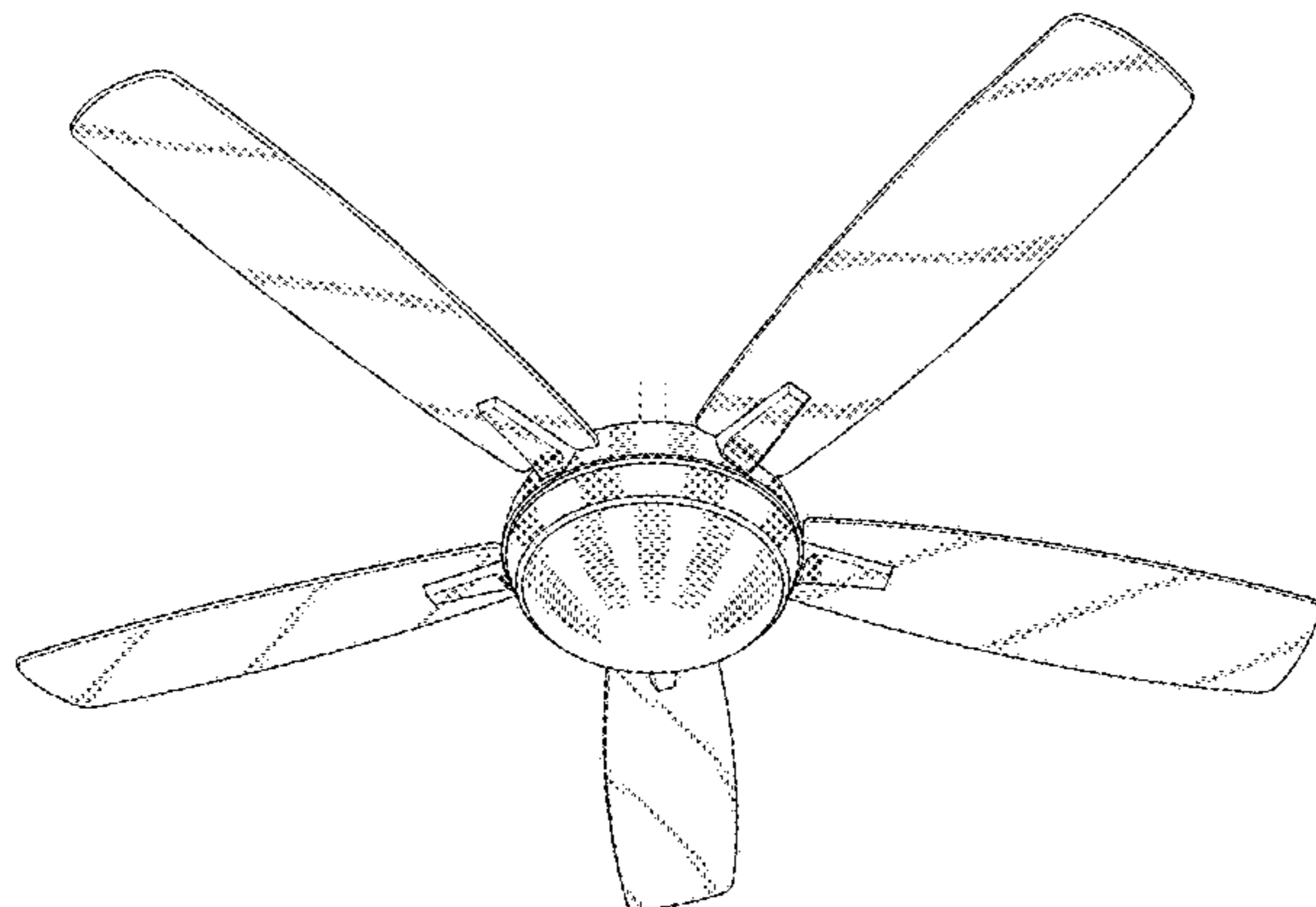
(57) **CLAIM**

The ornamental design for a combination ceiling fan and light fixture, as shown and described.

DESCRIPTION

FIG. 1 is a perspective view of a combination ceiling fan and light fixture in accordance with my design;
FIG. 2 is a top plan view thereof;
FIG. 3 is a bottom plan view thereof;
FIG. 4 is a front elevation view thereof;
FIG. 5 is a rear elevation view thereof;
FIG. 6 is a right-side elevation view thereof; and,
FIG. 7 is left-side elevation view thereof.
The broken lines in the drawings illustrate portions of the combination ceiling fan and light fixture that form no part of the claimed design.

1 Claim, 5 Drawing Sheets



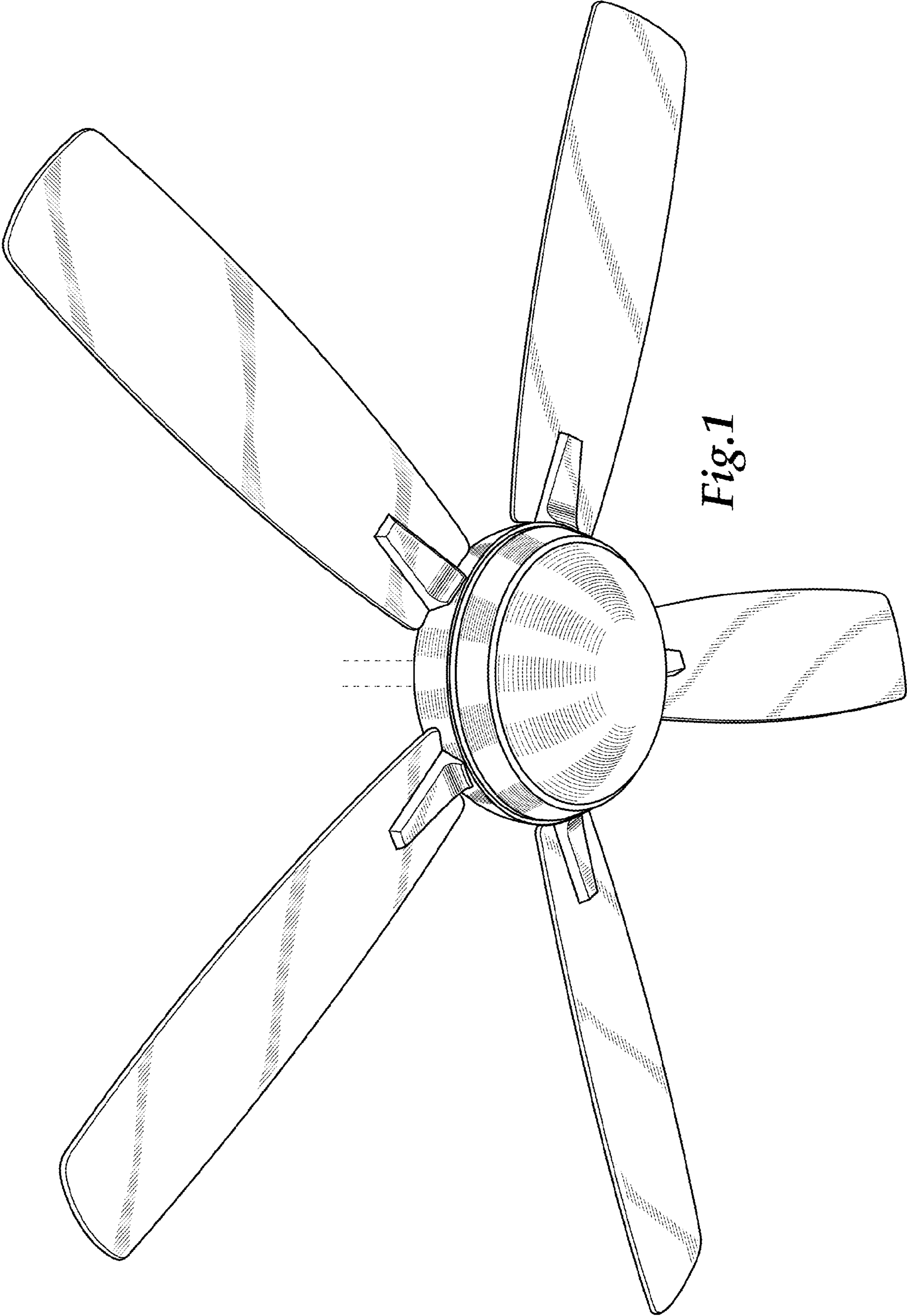


Fig. 1

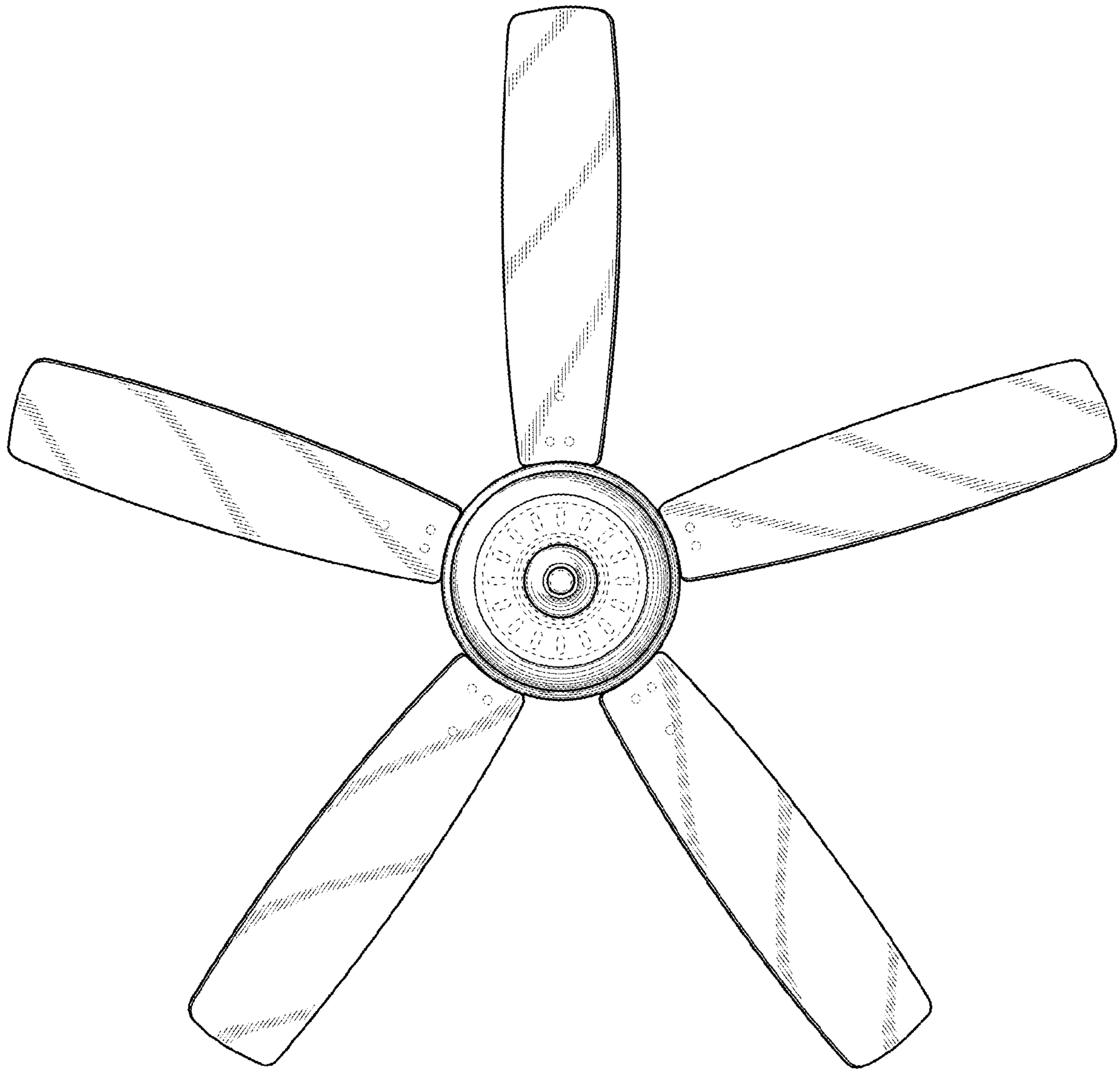


Fig.2

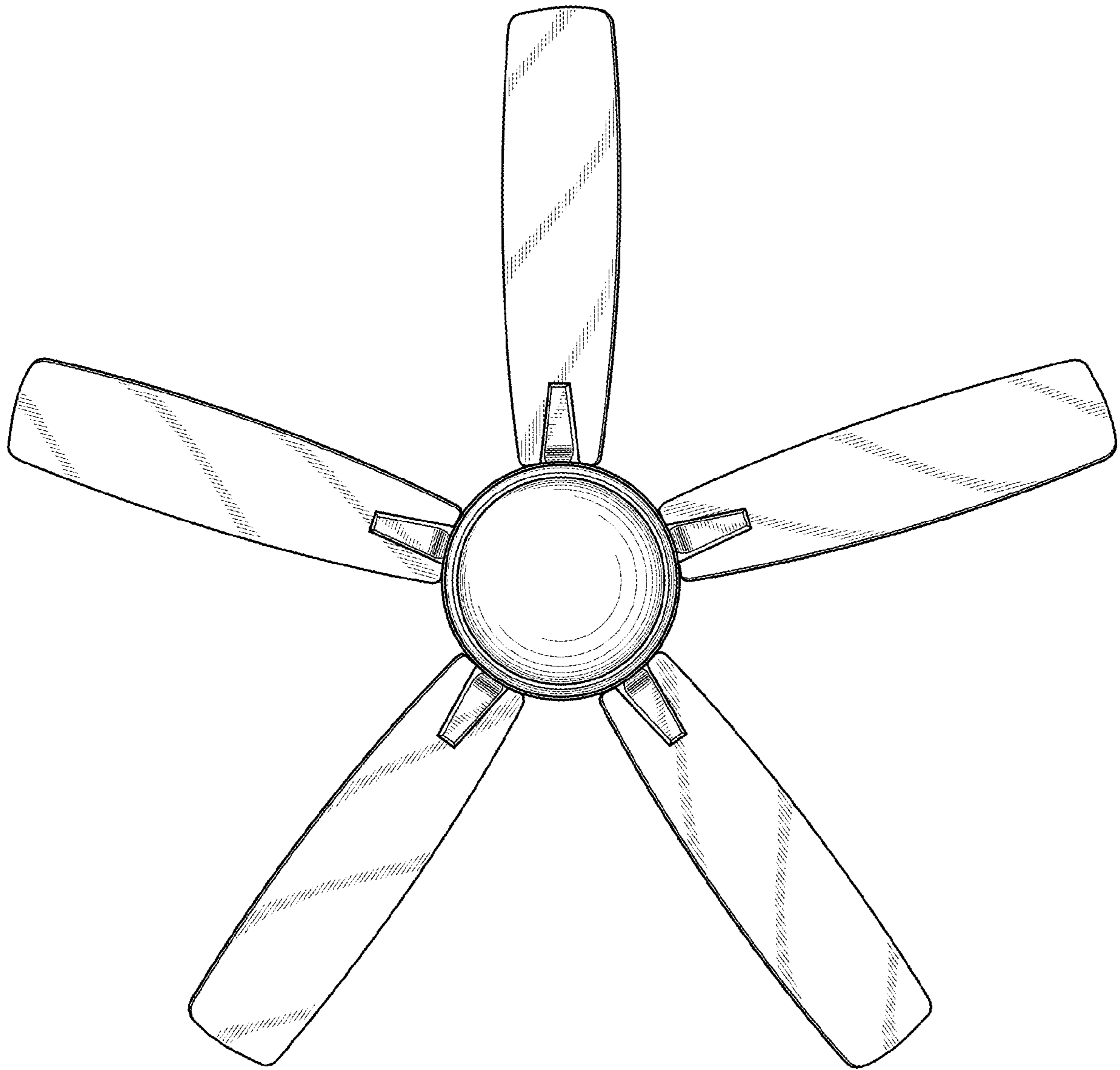


Fig.3

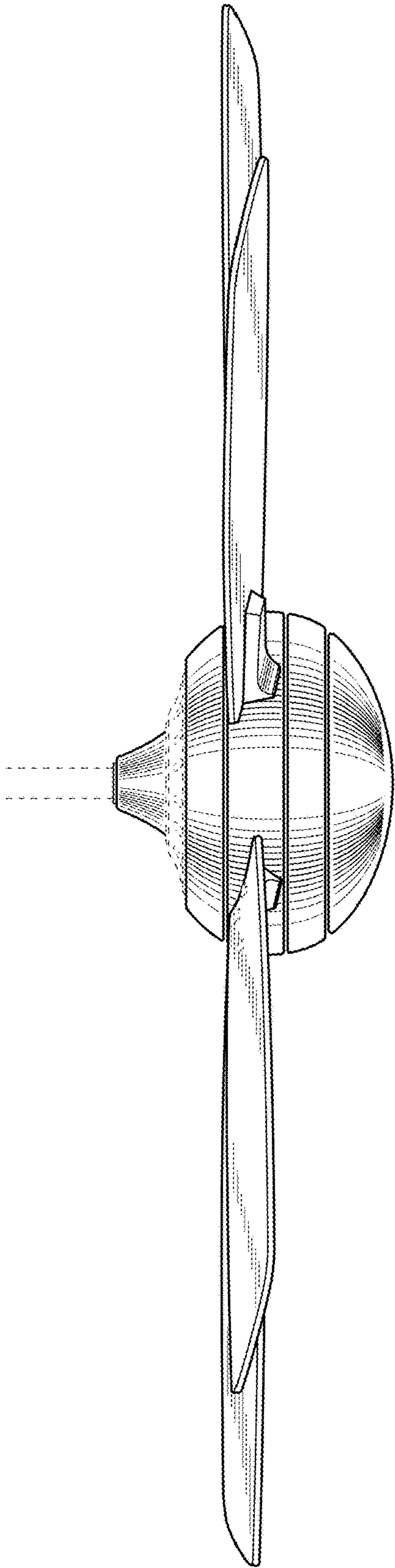


Fig. 4

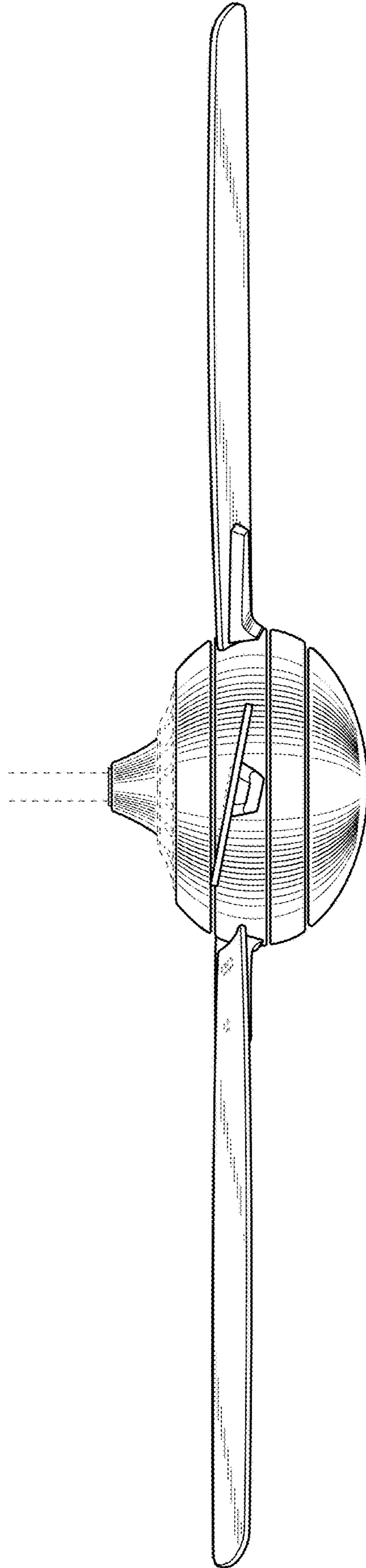


Fig. 5

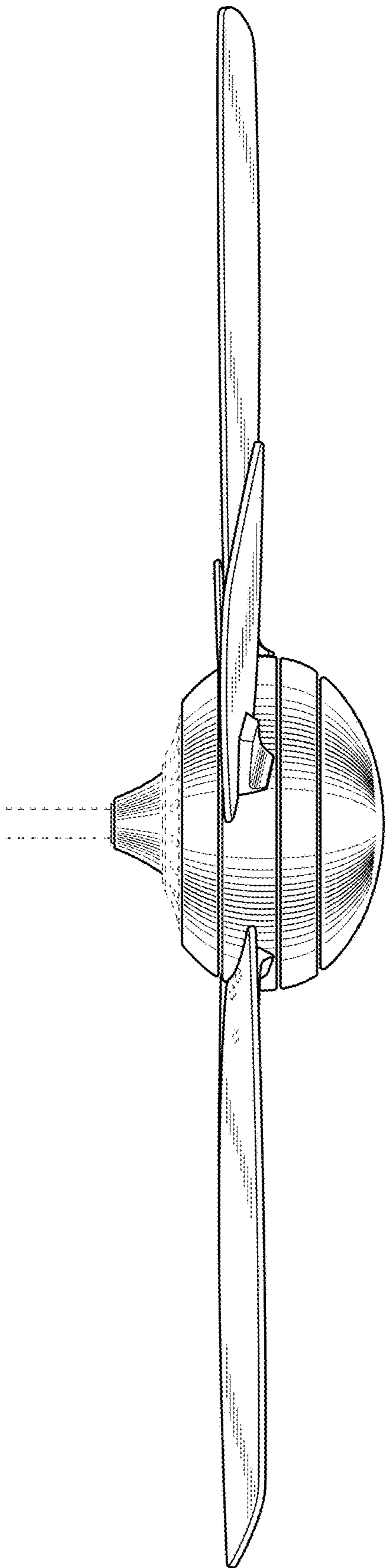


Fig. 6

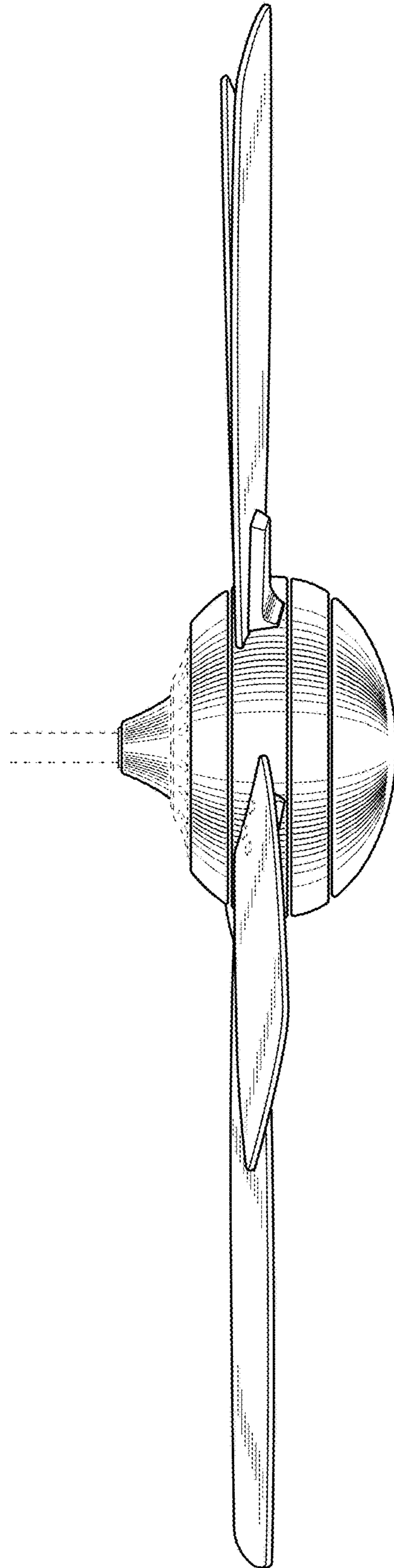


Fig. 7