



US00D879935S

(12) **United States Design Patent**
Busta

(10) **Patent No.:** **US D879,935 S**

(45) **Date of Patent:** **** *Mar. 31, 2020**

(54) **COMBINATION CEILING FAN AND LIGHT FIXTURE**

(71) Applicant: **Minka Lighting, Inc.**, Corona, CA (US)

(72) Inventor: **Jeff Busta**, La Crescenta, CA (US)

(73) Assignee: **Minka Lighting, Inc.**, Corona, CA (US)

(*) Notice: This patent is subject to a terminal disclaimer.

(**) Term: **15 Years**

(21) Appl. No.: **29/670,030**

(22) Filed: **Nov. 13, 2018**

Related U.S. Application Data

(63) Continuation of application No. 29/632,432, filed on Jan. 8, 2018, now Pat. No. Des. 833,595.

(51) **LOC (12) Cl.** **23-04**

(52) **U.S. Cl.**
USPC **D23/377; D23/385**

(58) **Field of Classification Search**
USPC D23/370, 377, 379, 385, 411; D26/59
CPC F04D 25/088; F21V 33/0096
See application file for complete search history.

(56) **References Cited**

U.S. PATENT DOCUMENTS

D535,011 S * 1/2007 Gajewski D23/377
D536,083 S * 1/2007 Gajewski D23/377

D715,419 S * 10/2014 Schulzman D23/377
D715,421 S * 10/2014 Schulzman D23/413
D721,429 S * 1/2015 Busta D23/377
D721,800 S * 1/2015 Busta D23/413
D750,213 S * 2/2016 Schulzman D23/385
D770,027 S * 10/2016 Noble D23/385
D800,291 S * 10/2017 Wang D23/377
D807,490 S * 1/2018 Ruan D23/377
D807,492 S * 1/2018 Hidalgo D23/377
D807,493 S * 1/2018 Hidalgo D23/377
D833,595 S * 11/2018 Busta D23/377
2007/0104583 A1 * 5/2007 Gajewski F04D 25/088
416/210 R

* cited by examiner

Primary Examiner — Janice Hallmark

(74) *Attorney, Agent, or Firm* — Seyfarth Shaw LLP

(57) **CLAIM**

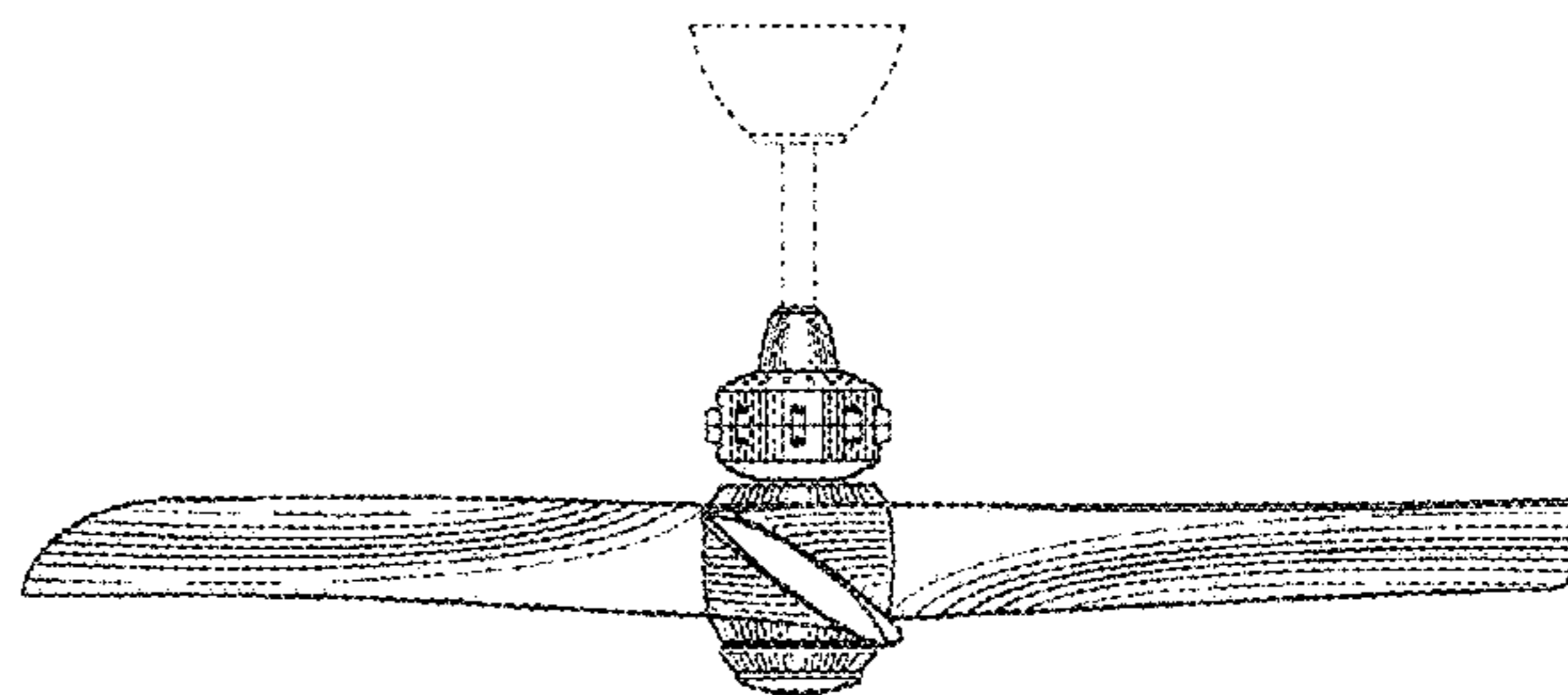
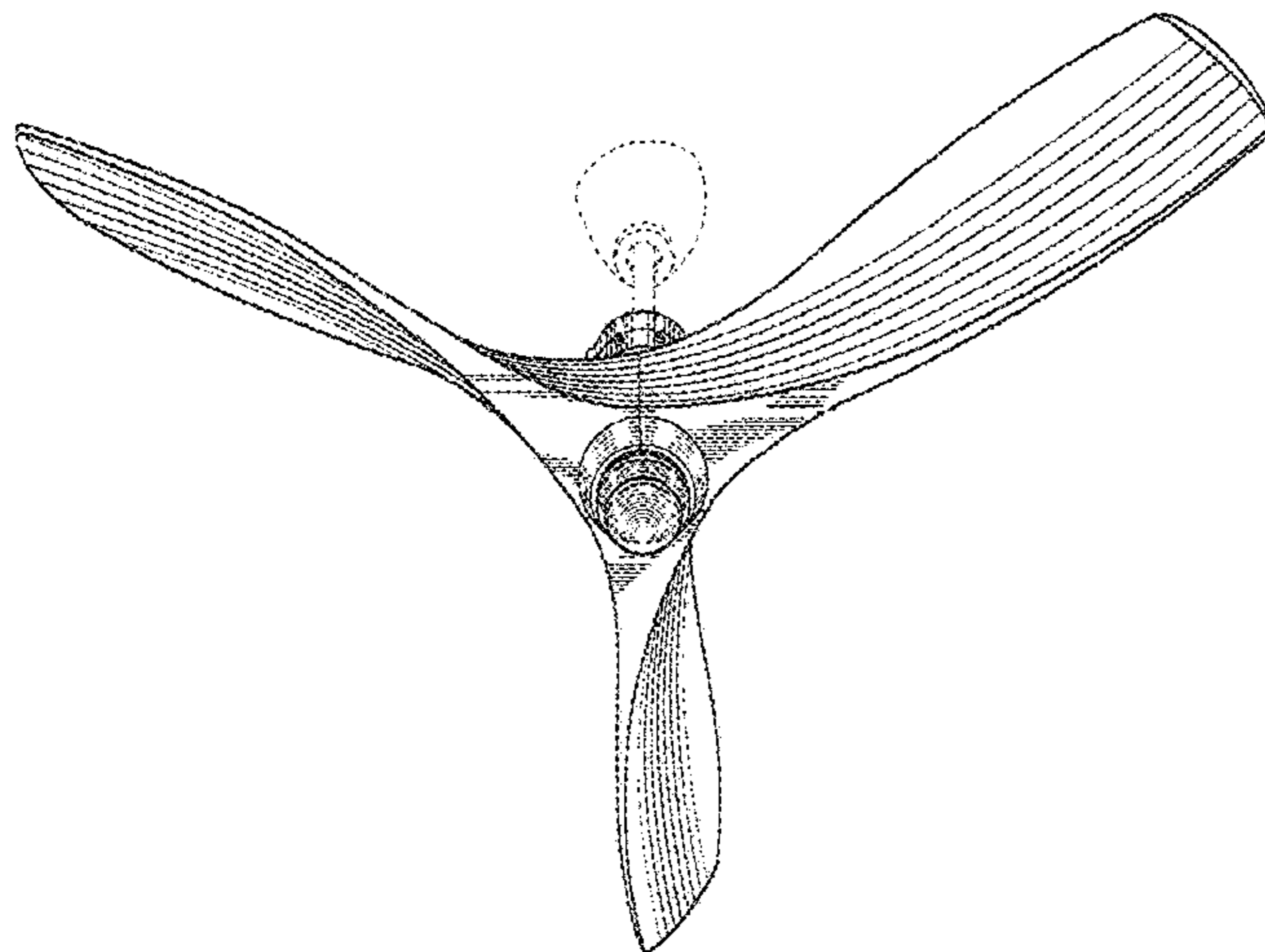
The ornamental design for a combination ceiling fan and light fixture, as shown and described.

DESCRIPTION

FIG. 1 is a perspective view of a combination ceiling fan and light fixture in accordance with my design;
FIG. 2 is a top plan view thereof;
FIG. 3 is a bottom plan view thereof;
FIG. 4 is a front elevation view thereof;
FIG. 5 is a rear elevation view thereof;
FIG. 6 is a left-side elevation view thereof; and,
FIG. 7 is a right-side elevation view thereof.

The broken lines in the drawings illustrate portions of the ceiling fan that form no part of the claimed design.

1 Claim, 5 Drawing Sheets



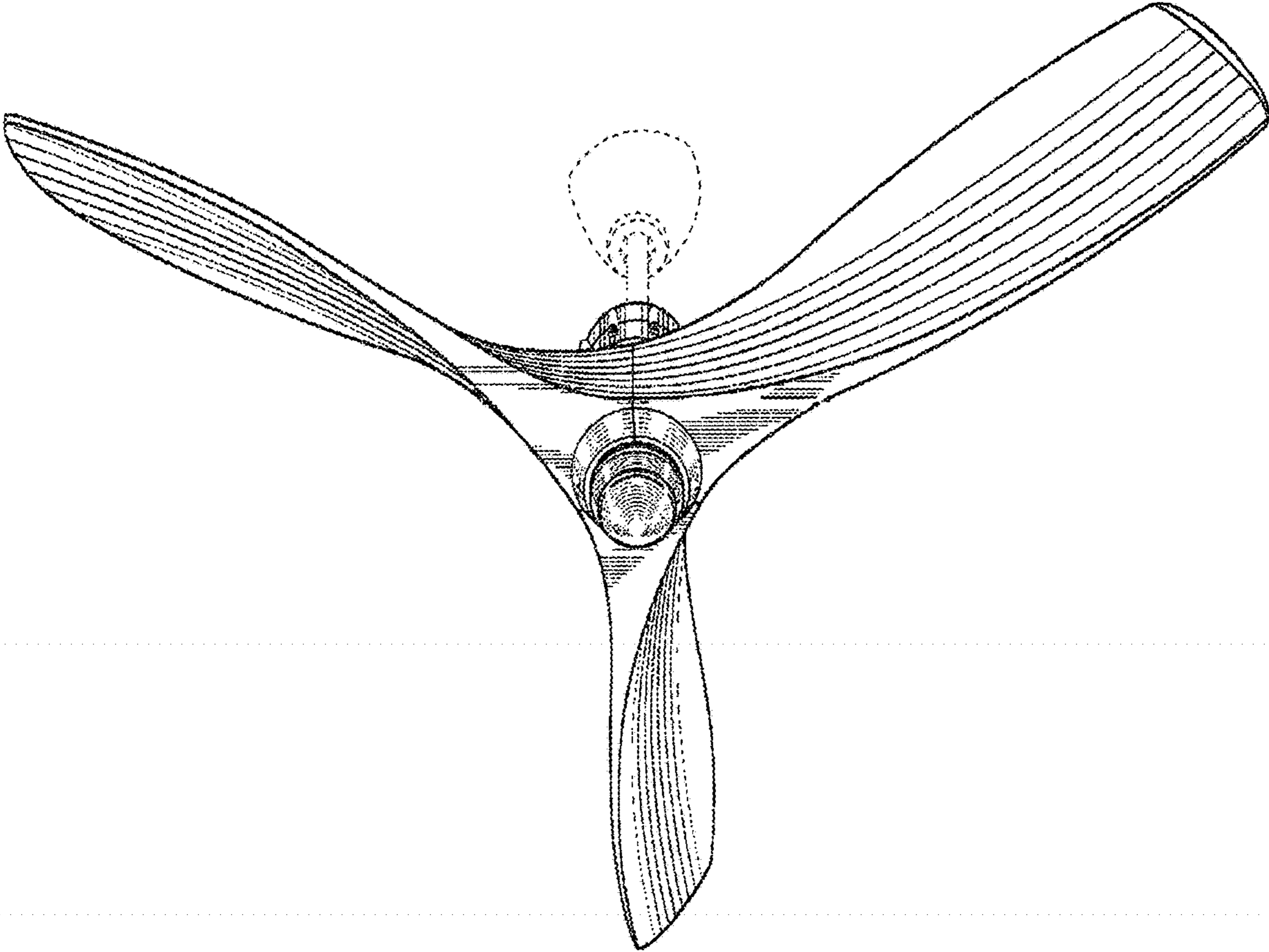


Fig.1

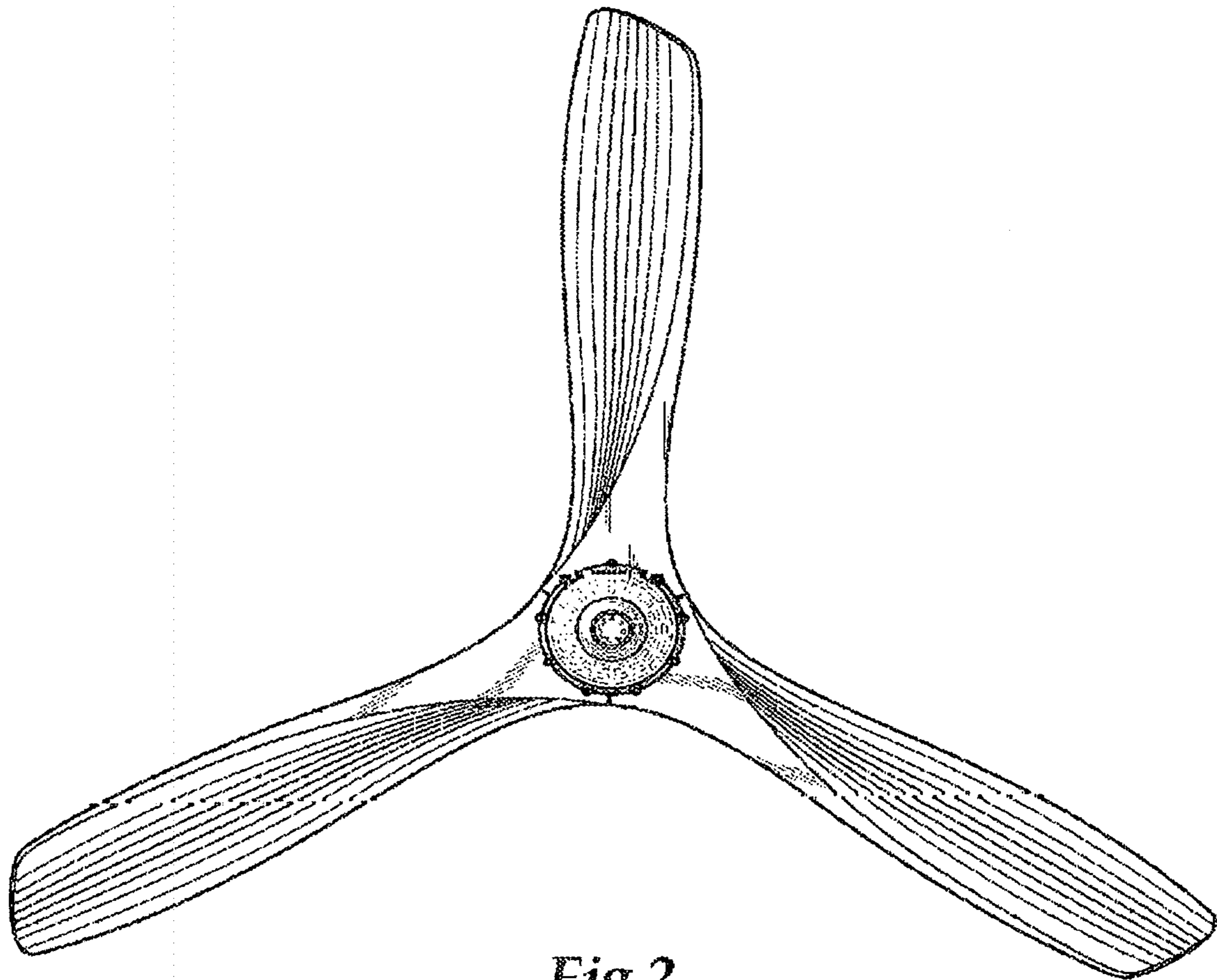


Fig. 2

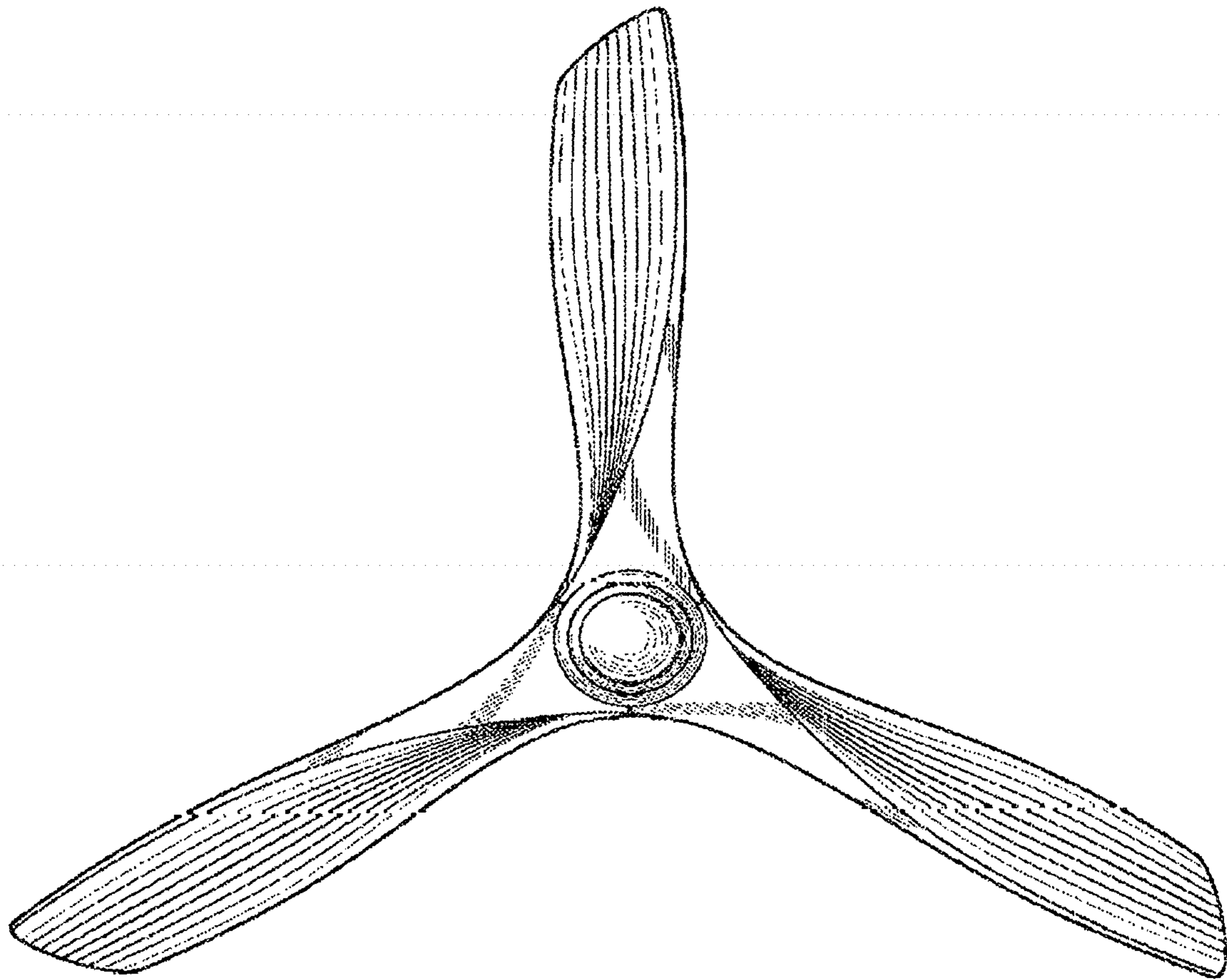


Fig.3

