



US00D879934S

(12) **United States Design Patent** (10) **Patent No.:** **US D879,934 S**  
**Gobber et al.** (45) **Date of Patent:** **\*\* Mar. 31, 2020**

(54) **AIR FRESHENER**

(56) **References Cited**

(71) Applicant: **Henkel IP & Holding GmbH**,  
 Duesseldorf (DE)

(72) Inventors: **Cedric Gobber**, Trento (IT); **Kevin M. Hafer**, Shoreline, WA (US); **Anne Elizabeth Lindert Nixon**, La Grange, KY (US); **Terannie Vazquez Alvarez**, Orange, CT (US); **Michael Curran**, Culver City, CA (US)

U.S. PATENT DOCUMENTS

D686,721	S	*	7/2013	Wirz	.....	D23/366
D700,694	S	*	3/2014	Sordo	.....	D23/366
D729,924	S	*	5/2015	Hsiao	.....	D23/366
D776,247	S	*	1/2017	King	.....	D23/366
D776,800	S	*	1/2017	King	.....	D23/366
9,669,126	B2	*	6/2017	Jaworski	.....	A61L 9/037
D846,724	S	*	4/2019	Mecker	.....	D23/366
D849,922	S	*	5/2019	Gobber	.....	D23/366
D852,939	S	*	7/2019	Jonsson	.....	D23/366
D853,548	S	*	7/2019	Schumacher	.....	D23/366
2016/0256586	A1	*	9/2016	Eastcott	.....	A61L 9/037

(73) Assignee: **Henkel IP & Holding GmbH** (DE)

\* cited by examiner

(\*\*) Term: **15 Years**

*Primary Examiner* — Khawaja Anwar

(21) Appl. No.: **35/505,414**

(74) *Attorney, Agent, or Firm* — Bojuan Deng

(22) Filed: **Feb. 8, 2018**

(57) **CLAIM**

(80) **Hague Agreement Data**

Int. Filing Date: **Feb. 8, 2018**  
 Int. Reg. No.: **DM/099729**  
 Int. Reg. Date: **Feb. 8, 2018**  
 Int. Reg. Pub. Date: **Aug. 10, 2018**

The ornamental design for an air freshener, as shown and described.

(30) **Foreign Application Priority Data**

Aug. 9, 2017 (ES) ..... 0525926

(51) **LOC (12) Cl.** ..... **23-02**

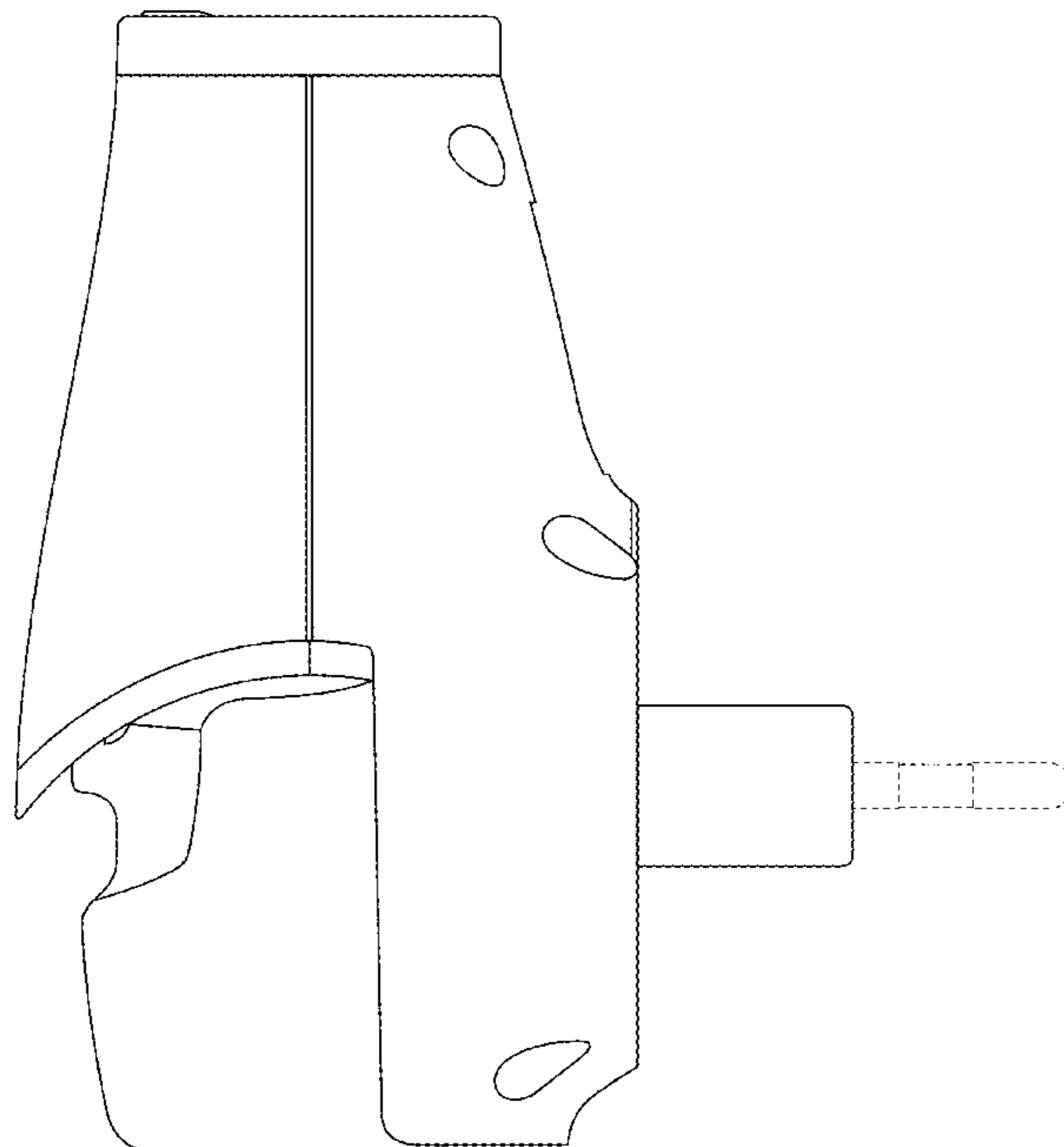
(52) **U.S. Cl.**  
USPC ..... **D23/366**

(58) **Field of Classification Search**  
 USPC ..... D23/366, 207, 208, 360, 364, 365, 367,  
 D23/378, 368  
 CPC ... A61L 9/03; A61L 9/12; A61F 9/026; B01D  
 46/0004; G09F 7/22; G09F 19/08  
 See application file for complete search history.

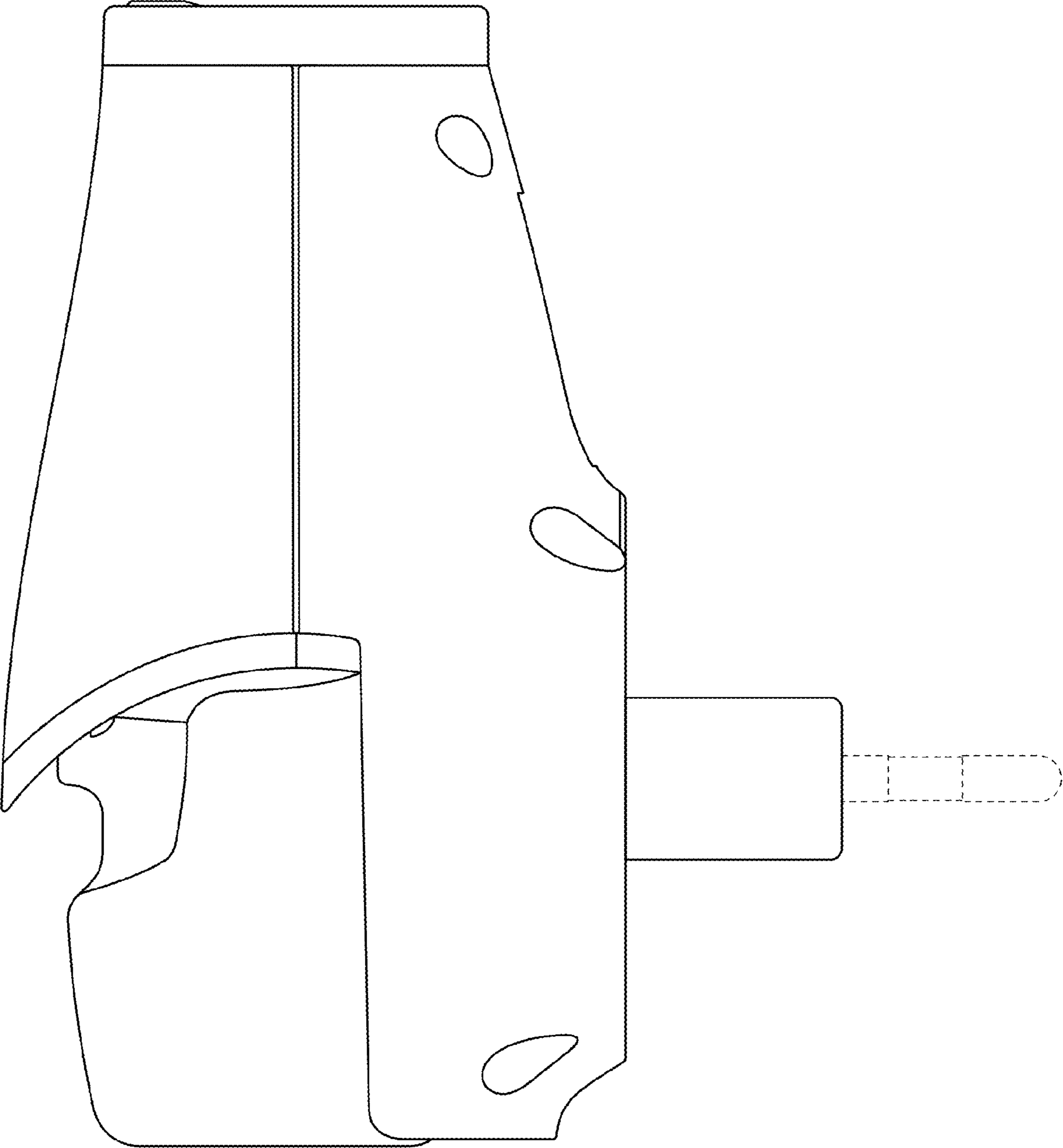
**DESCRIPTION**

Fig. 1.1 is a left side view of an air freshener, according to an aspect of my new design;  
 Fig. 1.2 is a front view thereof;  
 Fig. 1.3 is a front, top and left side perspective view thereof;  
 Fig. 1.4 is a bottom view thereof;  
 Fig. 1.5 is a rear view thereof;  
 Fig. 1.6 is a rear top and left side perspective view thereof;  
 and  
 Fig. 1.7 is a top view thereof.  
 The evenly spaced broken lines shown in the drawings represent unclaimed portions of the air freshener and form no part of the claimed design.

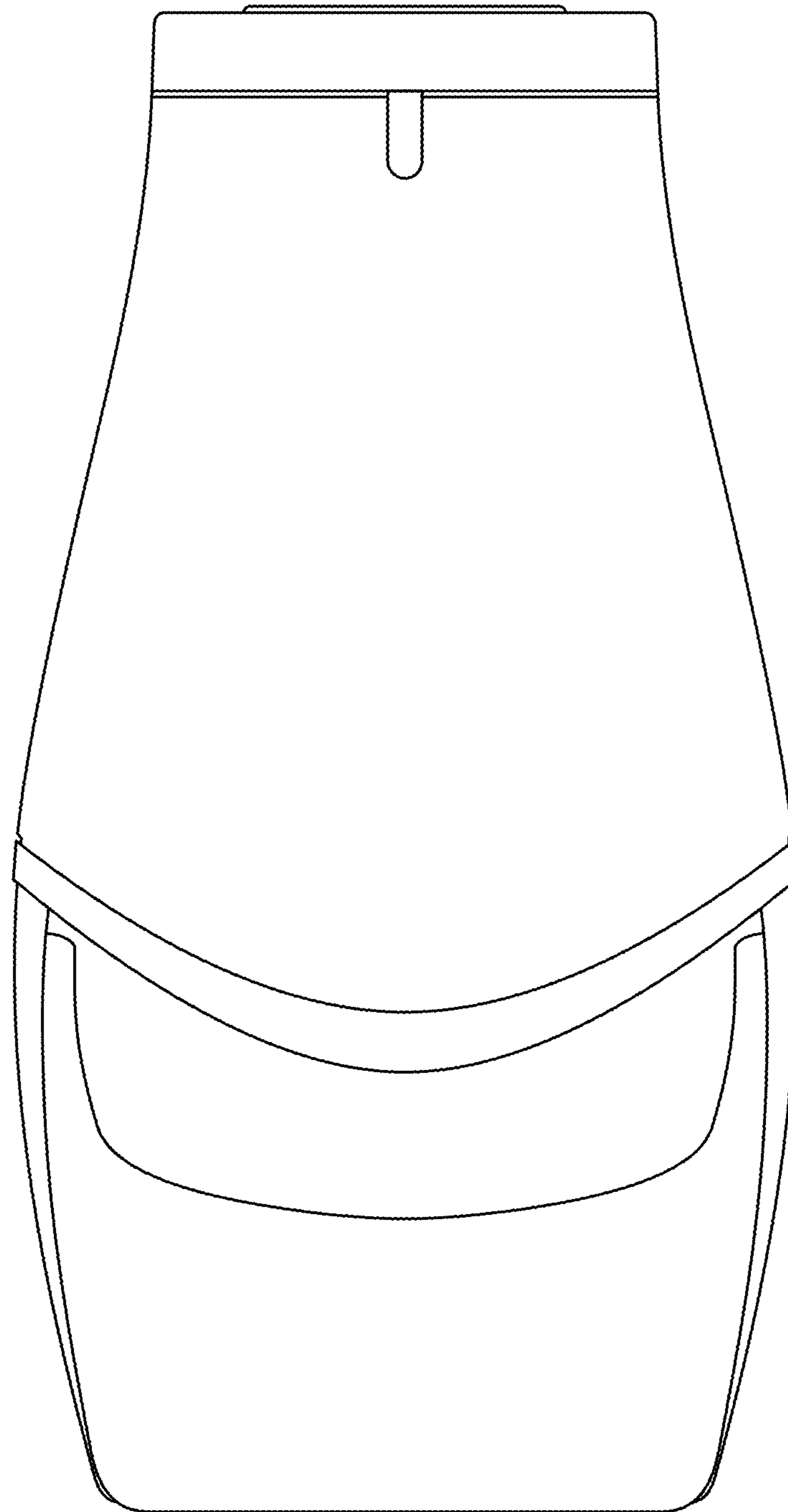
**1 Claim, 7 Drawing Sheets**



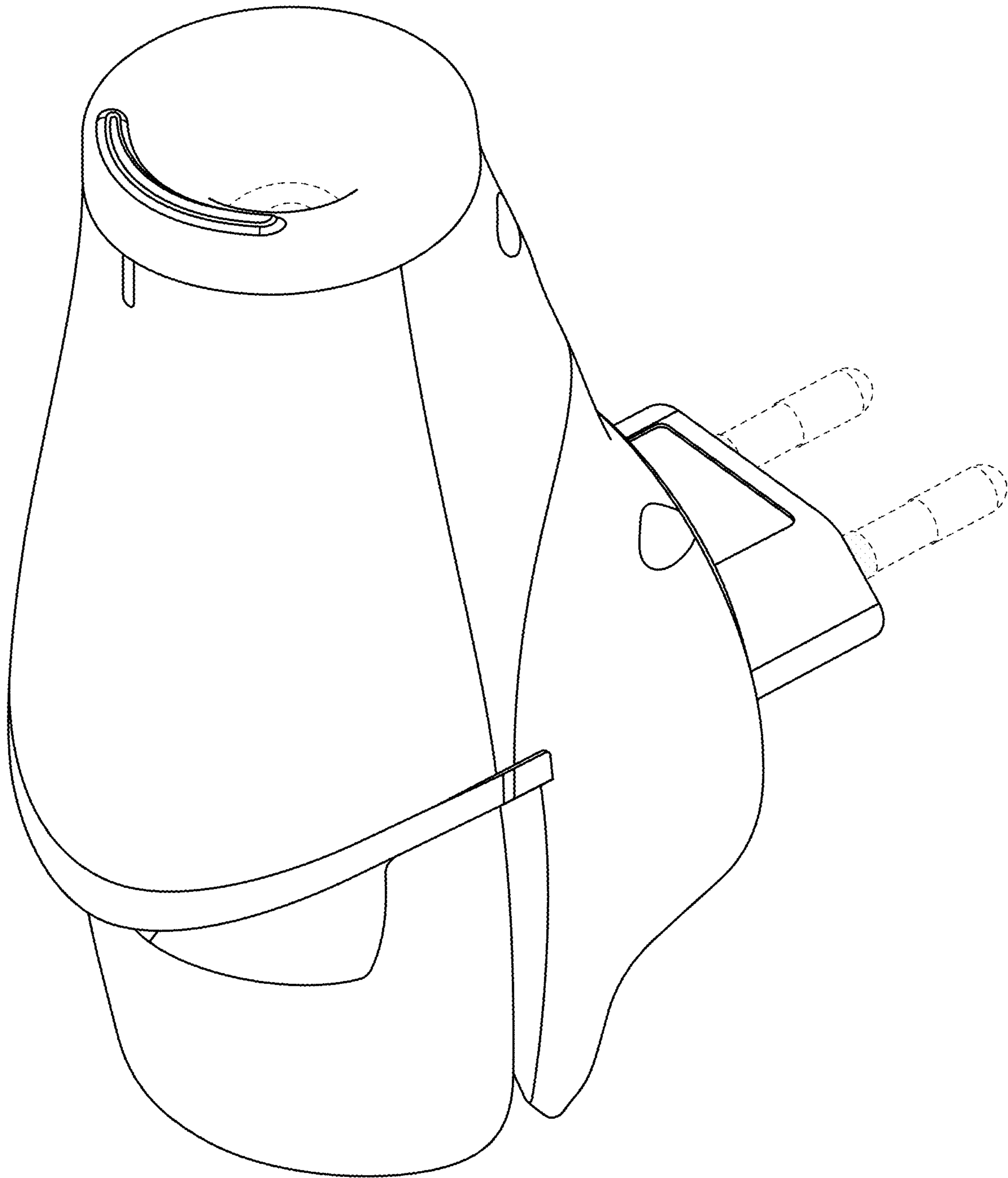
1.1



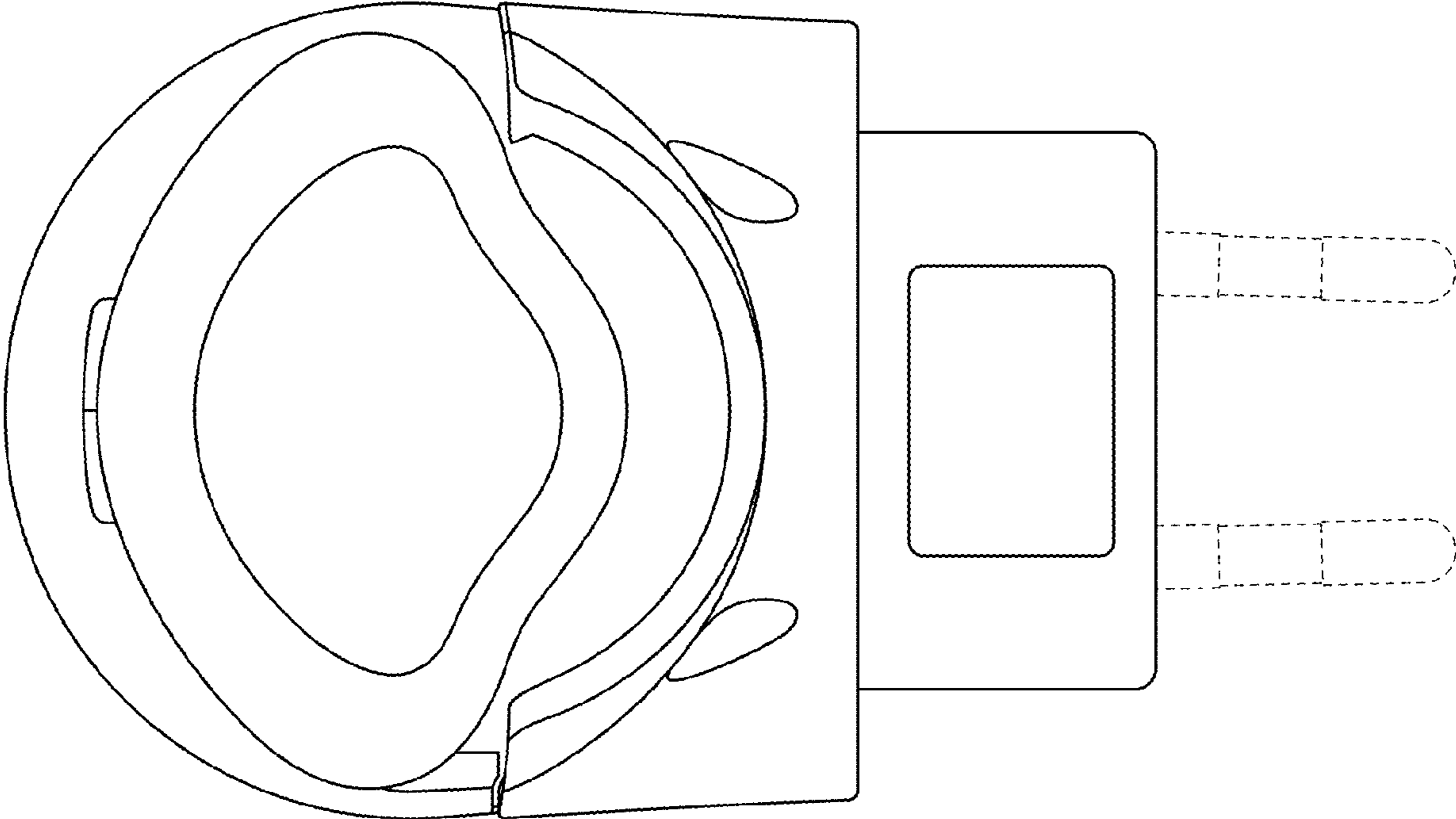
**1.2**



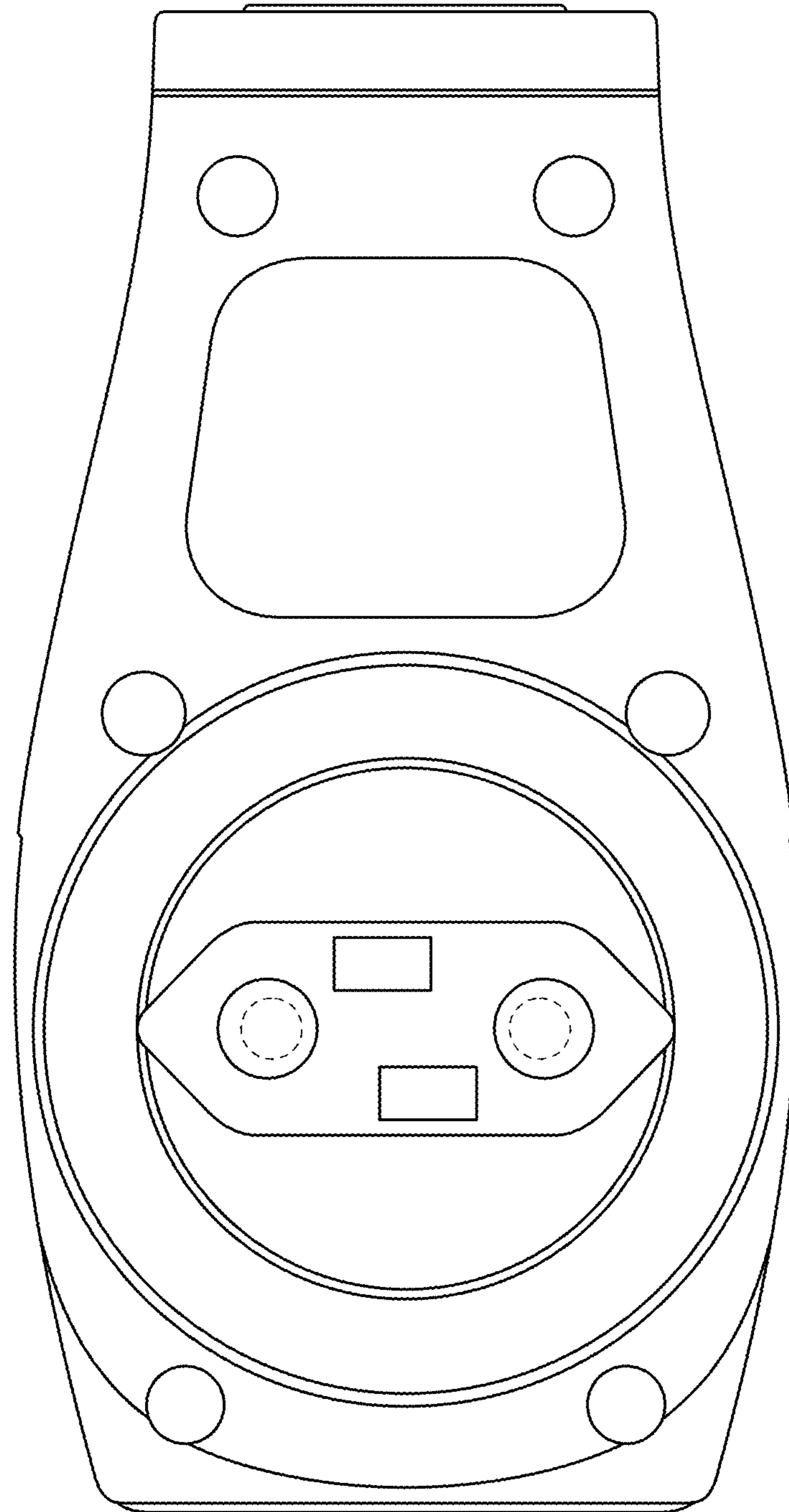
1.3



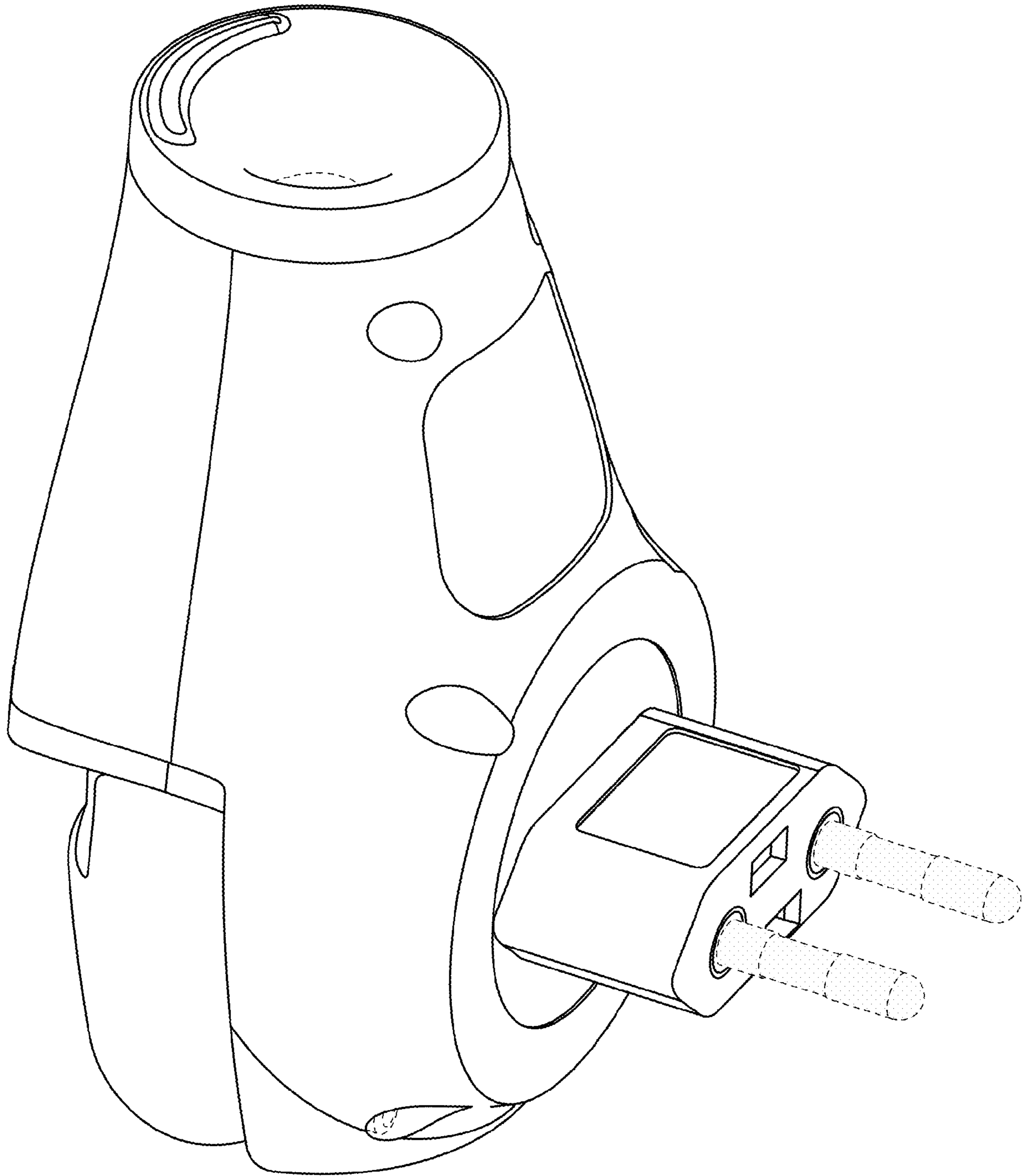
1.4



1.5



1.6





1.7

