



US00D879931S

(12) **United States Design Patent**  
**Cannon et al.**

(10) **Patent No.:** **US D879,931 S**

(45) **Date of Patent:** **\*\* Mar. 31, 2020**

- (54) **AIR FRESHENER HOUSING**
- (71) Applicant: **The Procter & Gamble Company**,  
Cincinnati, OH (US)
- (72) Inventors: **William Michael Cannon**, West  
Harrison, OH (US); **Keri Marsh**  
**Arinsmier**, Mason, OH (US); **Richard**  
**Lee Lane**, Cincinnati, OH (US)
- (73) Assignee: **The Procter & Gamble Company**,  
Cincinnati, OH (US)
- (\*\*) Term: **15 Years**
- (21) Appl. No.: **29/647,604**
- (22) Filed: **May 15, 2018**
- (51) **LOC (12) Cl.** ..... **23-04**
- (52) **U.S. Cl.**  
USPC ..... **D23/366**
- (58) **Field of Classification Search**  
USPC ..... D23/208, 355–369, 393; D14/209.1,  
D14/212–213; D8/1, 391  
CPC ..... A61L 9/02; A61L 9/03; A61L 9/12; A61L  
9/035; A61L 9/125; A61L 2209/15; A61L  
2209/16; A61L 2209/133; B05B 1/24  
See application file for complete search history.

- D457,230 S \* 5/2002 Huang ..... D23/364
- D657,857 S \* 4/2012 Choi ..... A61L 9/03  
D23/364
- D706,622 S \* 6/2014 Bischoff ..... D9/425
- D829,318 S \* 9/2018 Wu ..... D23/366

**OTHER PUBLICATIONS**

Higginbotham, S. P&G's Sci-Fi Air Freshener Makes Your House Smell Smart, Jan. 2016, Fortune.com online article, retrieved Aug. 1, 2019 from <URL:https://fortune.com/2016/01/06/pg-automated-air-freshener/> (Year: 2016).\*

\* cited by examiner

*Primary Examiner* — Sheryl Lane

*Assistant Examiner* — Calvin E Vansant

(74) *Attorney, Agent, or Firm* — Abbey A. Lopez

(57) **CLAIM**

The ornamental design for an air freshener housing, as shown and described.

**DESCRIPTION**

FIG. 1 is a front perspective view of an embodiment of an air freshener housing;  
FIG. 2 is a front view thereof;  
FIG. 3 is a back view thereof;  
FIG. 4 is a left view thereof;  
FIG. 5 is a right view thereof;  
FIG. 6 is a top view thereof; and,  
FIG. 7 is a bottom view thereof.

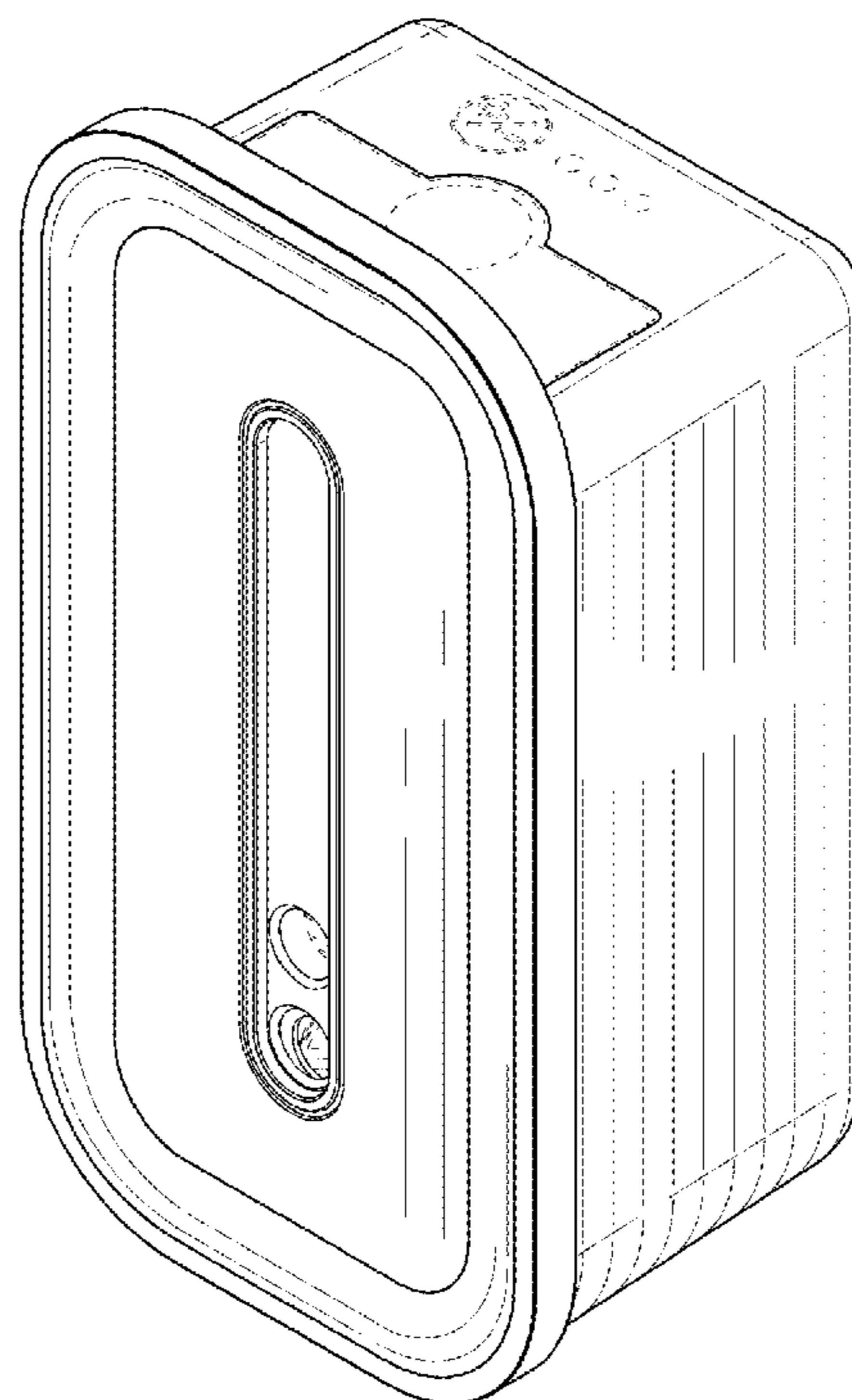
The broken lines depict portions of the air freshener housing that form no part of the claim.

**1 Claim, 4 Drawing Sheets**

(56) **References Cited**

**U.S. PATENT DOCUMENTS**

- 5,136,684 A \* 8/1992 Lonker ..... A61L 9/03  
261/DIG. 89
- D358,638 S \* 5/1995 Vullion ..... D23/366
- D382,050 S \* 8/1997 Hayes ..... D23/366



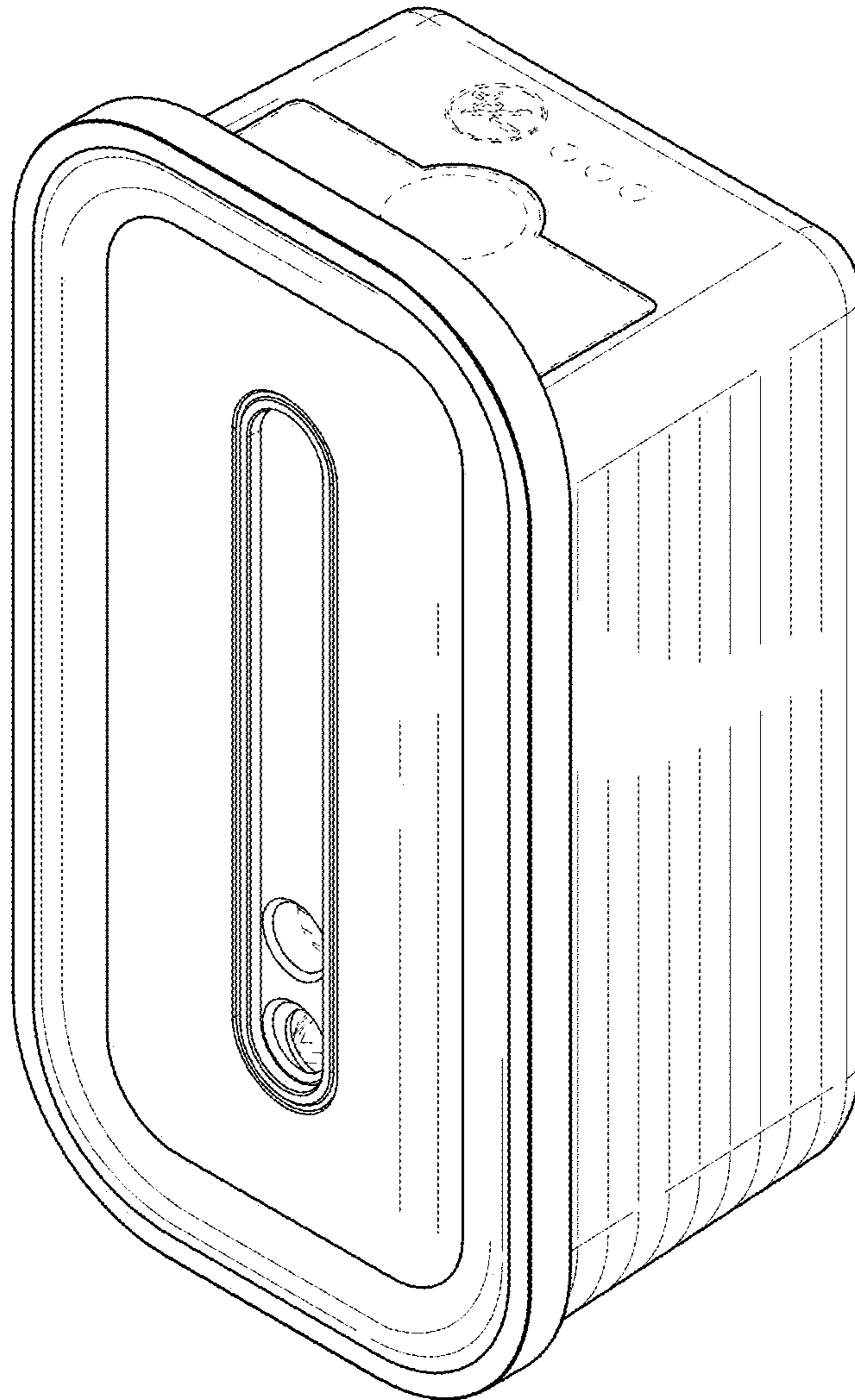


FIG. 1

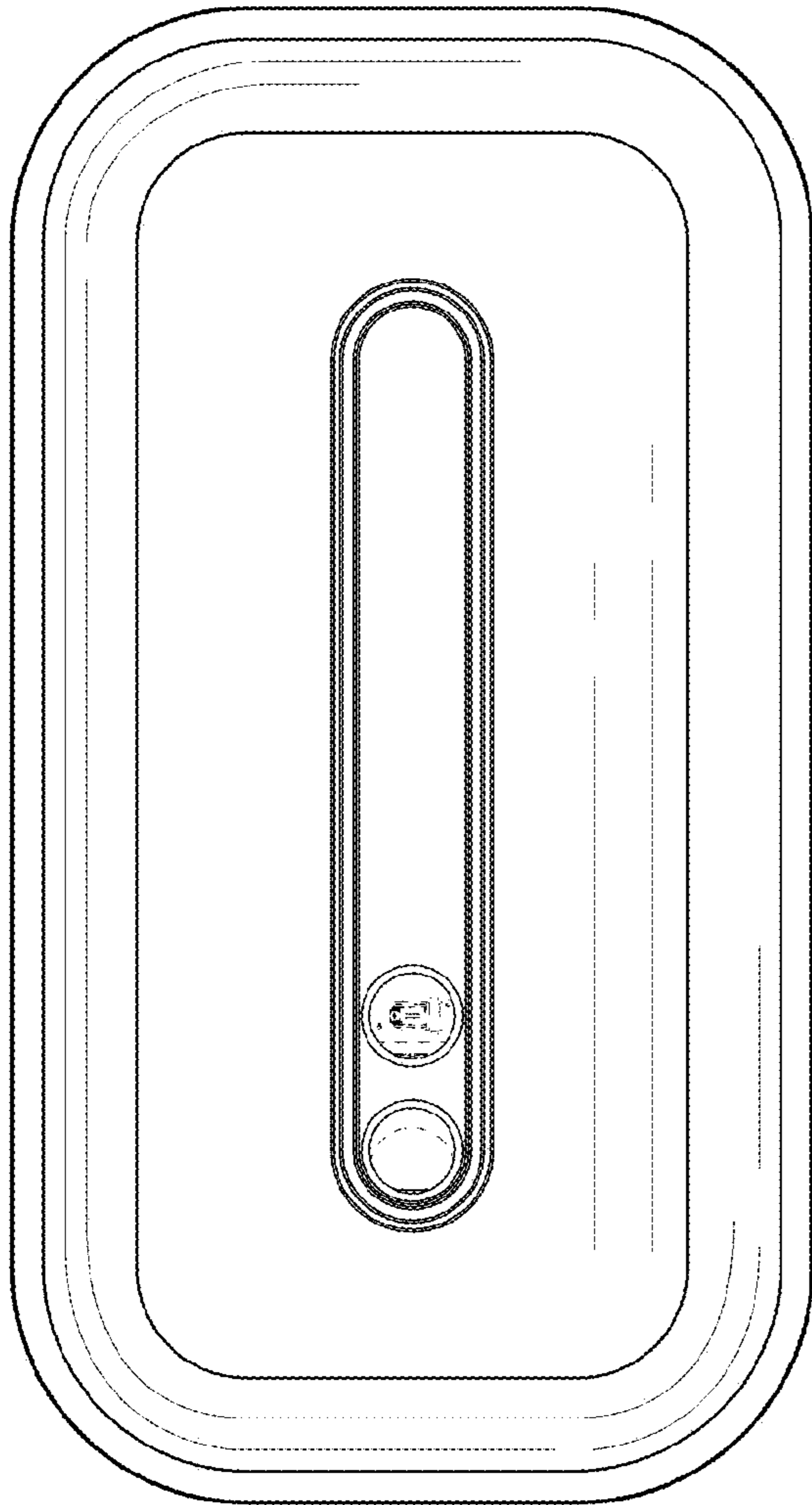


FIG. 2

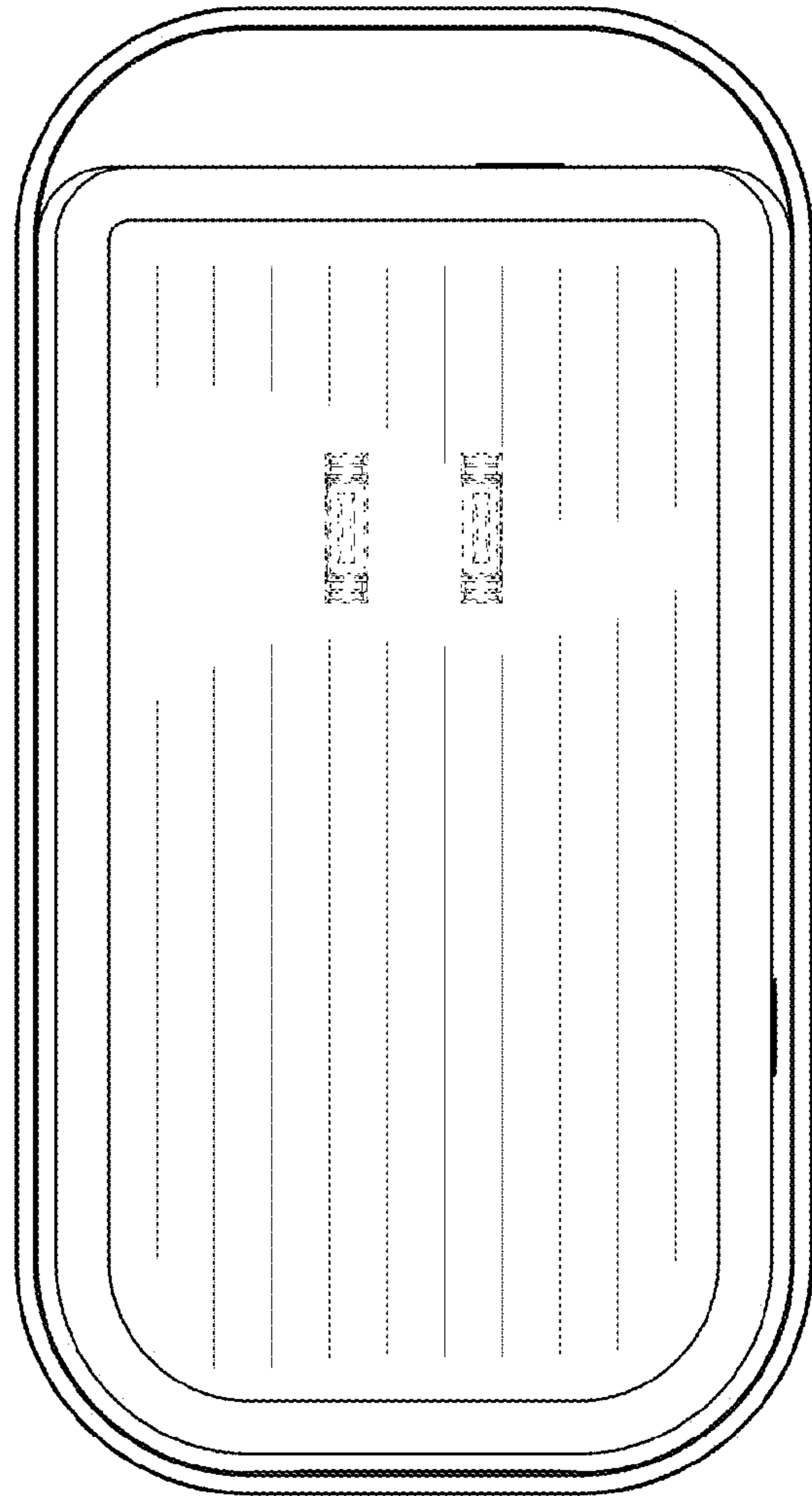


FIG. 3

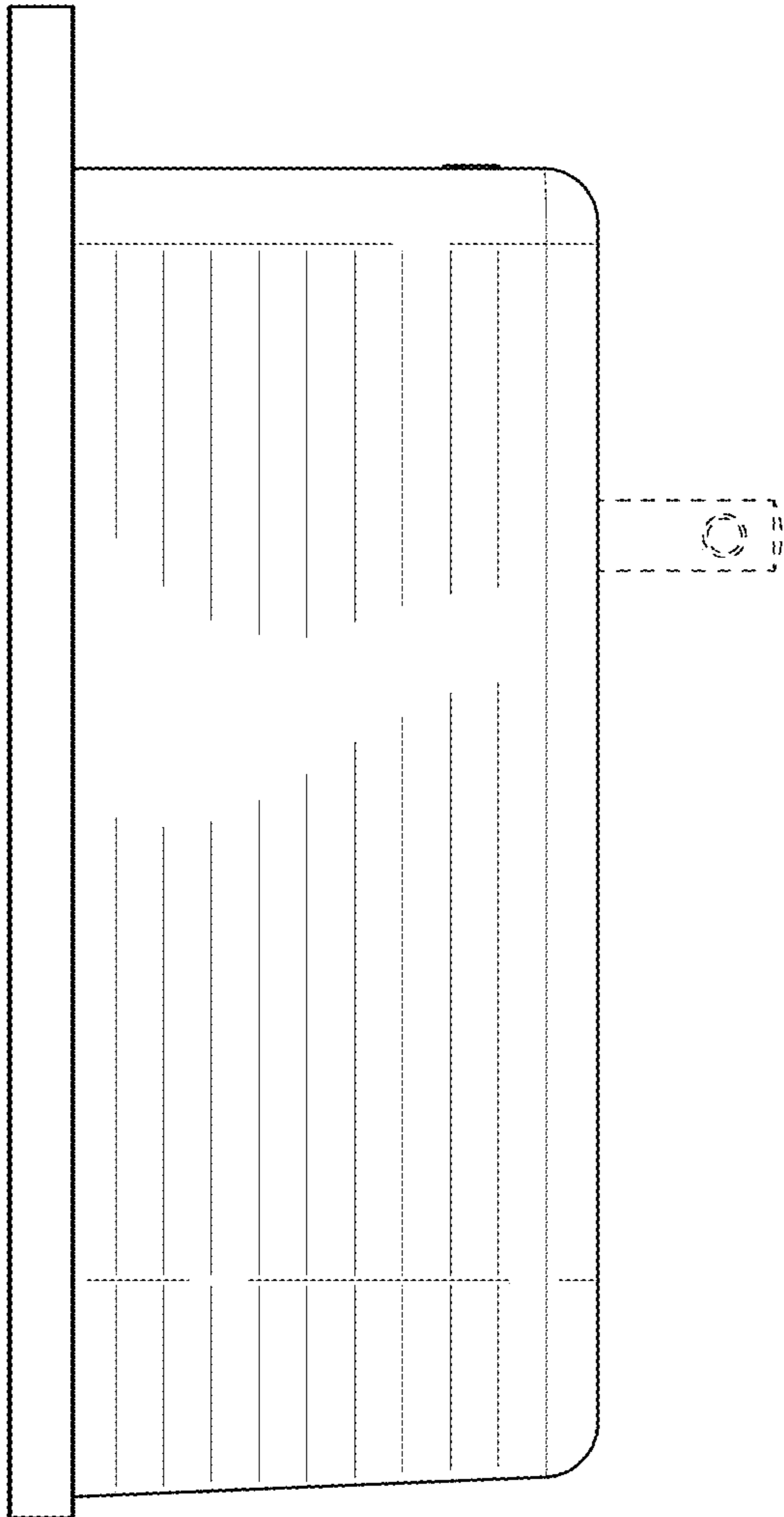


FIG. 4

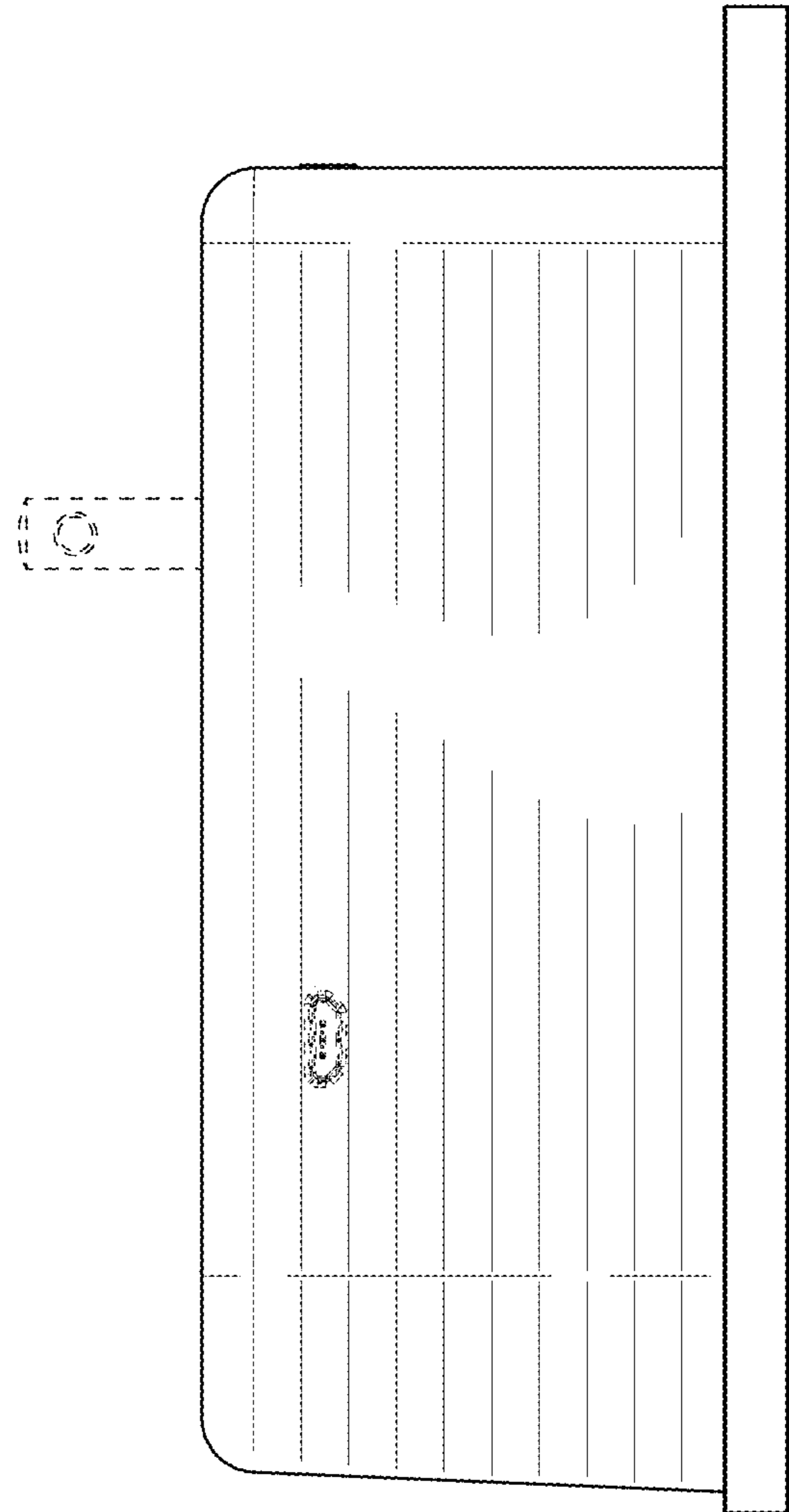


FIG. 5

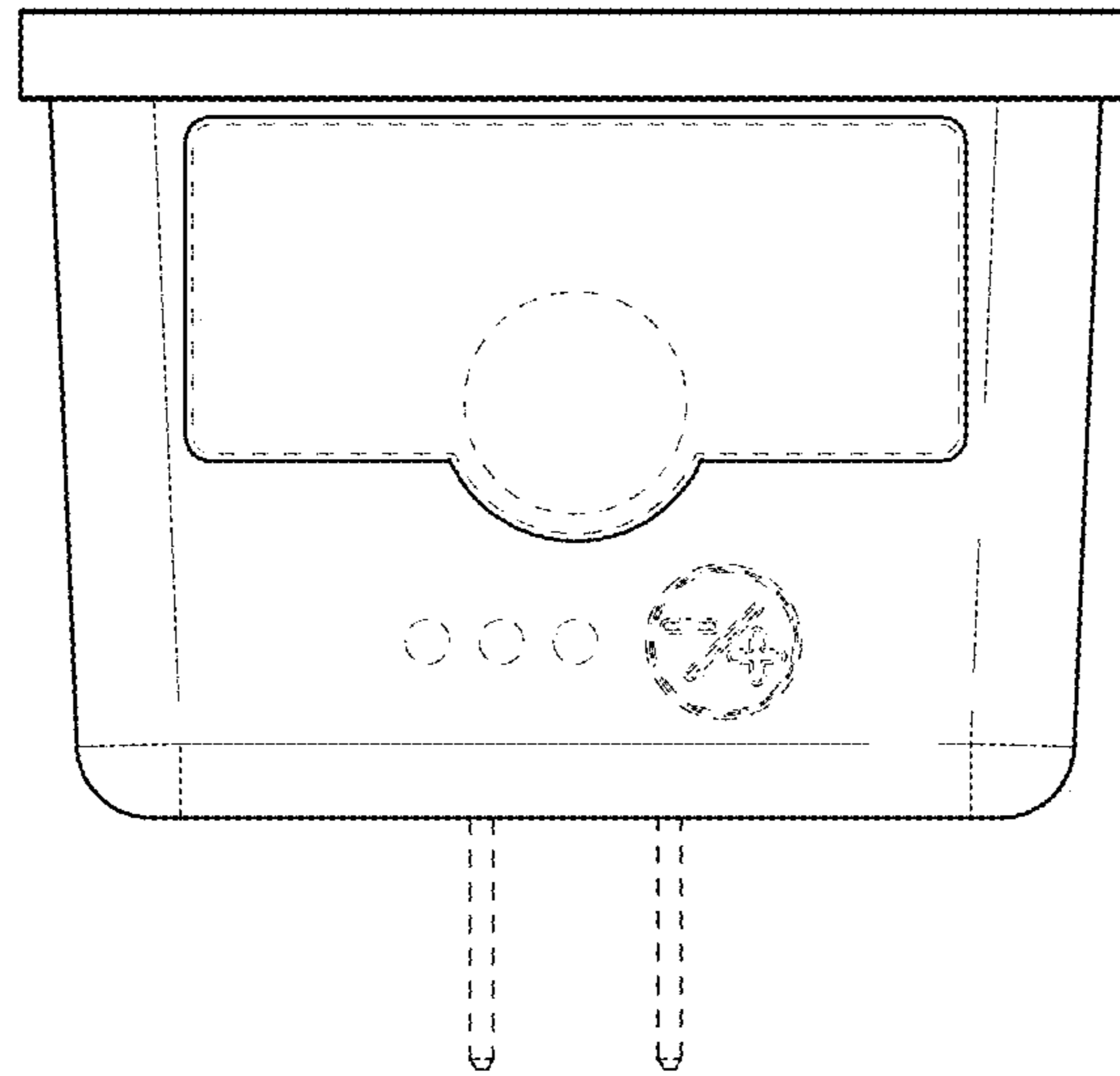


FIG. 6

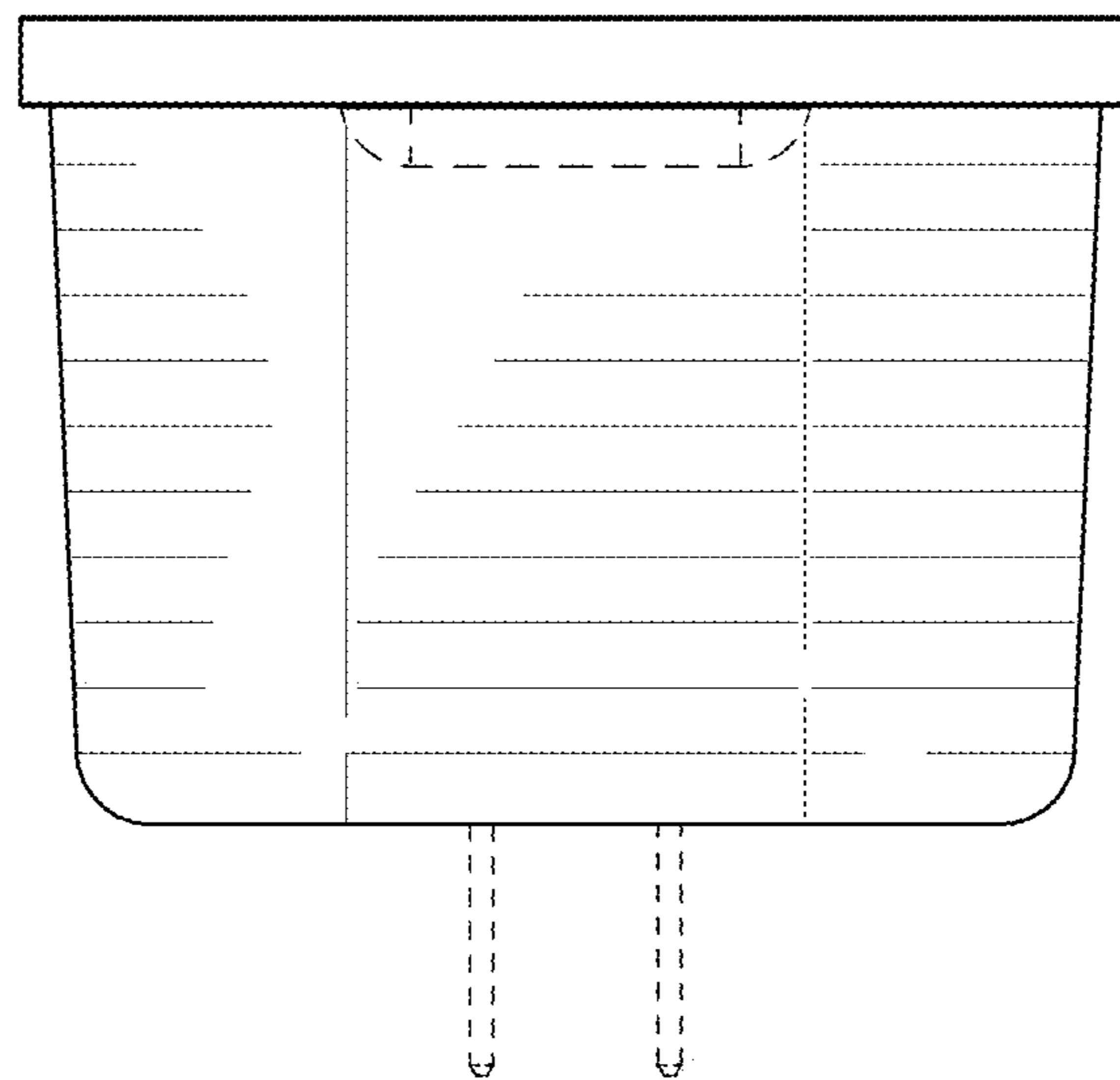


FIG. 7