



US00D879929S

(12) **United States Design Patent**
Chen et al.

(10) **Patent No.:** **US D879,929 S**
(45) **Date of Patent:** **** Mar. 31, 2020**

(54) **FILTER BOX**

(71) Applicant: **Hisense Ronshen (Guangdong) Refrigerator Co., Ltd**, Guangdong (CN)
(72) Inventors: **Zhibing Chen**, Guangdong (CN); **Xianhui Xu**, Guangdong (CN); **Yuanhui Tan**, Guangdong (CN); **Jinbo Gan**, Guangdong (CN); **Zhe Hu**, Guangdong (CN)
(73) Assignee: **Hisense Ronshen (Guangdong) Refrigerator Co., Ltd**, Foshan (CN)
(**) Term: **15 Years**
(21) Appl. No.: **29/630,277**
(22) Filed: **Dec. 20, 2017**

(30) **Foreign Application Priority Data**

Oct. 27, 2017 (CN) 2017 3 0518397
(51) **LOC (12) Cl.** **23-04**
(52) **U.S. Cl.**
USPC **D23/365**
(58) **Field of Classification Search**
USPC D23/209, 235, 341, 358, 363-365;
D15/5; D32/21-25, 31, 32; D24/144,
D24/232-234
CPC F02M 35/04; F02M 35/10; F02M 35/024;
B01D 46/0002; B01D 46/10; F25D 23/12
See application file for complete search history.

(56) **References Cited**

U.S. PATENT DOCUMENTS

7,147,773 B2 * 12/2006 Mitchell B01D 35/153
210/234
8,354,024 B2 * 1/2013 Ihle B01D 35/30
210/238
9,027,361 B2 * 5/2015 Shaffer B01D 35/1573
62/318
10,071,915 B2 * 9/2018 Lin C02F 1/003
2008/0190082 A1 * 8/2008 Scott B01D 46/0005
55/520
2017/0312666 A1 * 11/2017 Gaplikow C02F 1/003

* cited by examiner

Primary Examiner — Lakiya G Rogers
Assistant Examiner — John A Voytek
(74) *Attorney, Agent, or Firm* — Bay State IP, LLC

(57) **CLAIM**

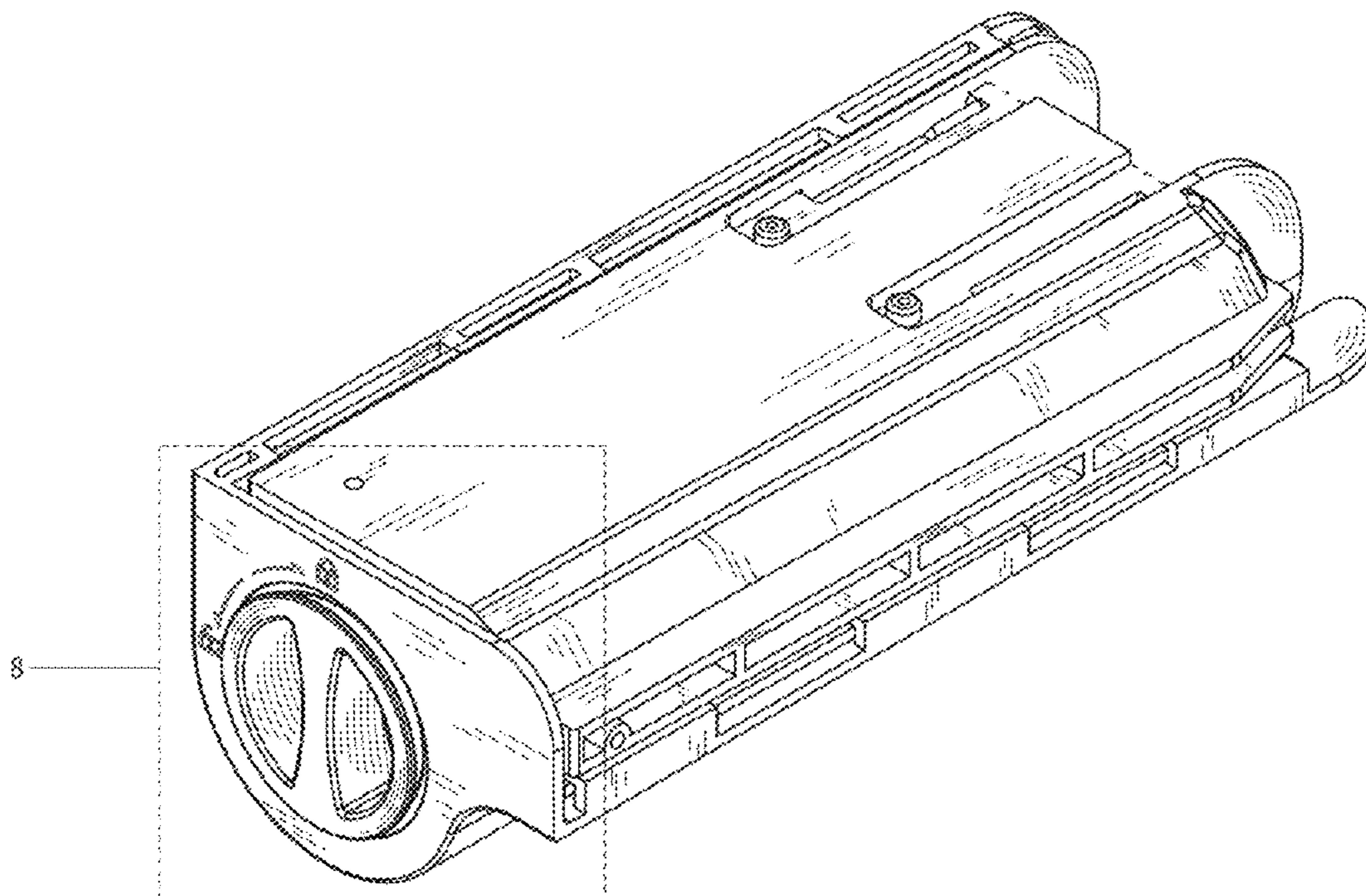
The ornamental design for a filter box, as shown and described.

DESCRIPTION

FIG. 1 is a front perspective view showing our new design; FIG. 2 is a front view thereof; FIG. 3 is a top view thereof; FIG. 4 is a bottom view thereof; FIG. 5 is a back view thereof; FIG. 6 is a right side view thereof; FIG. 7 is a left side view thereof; and, FIG. 8 is an enlarged perspective view of the section in FIG. 1.

The broken lines in the drawings depict portions of the filter box that form no part of the claimed design.

1 Claim, 8 Drawing Sheets



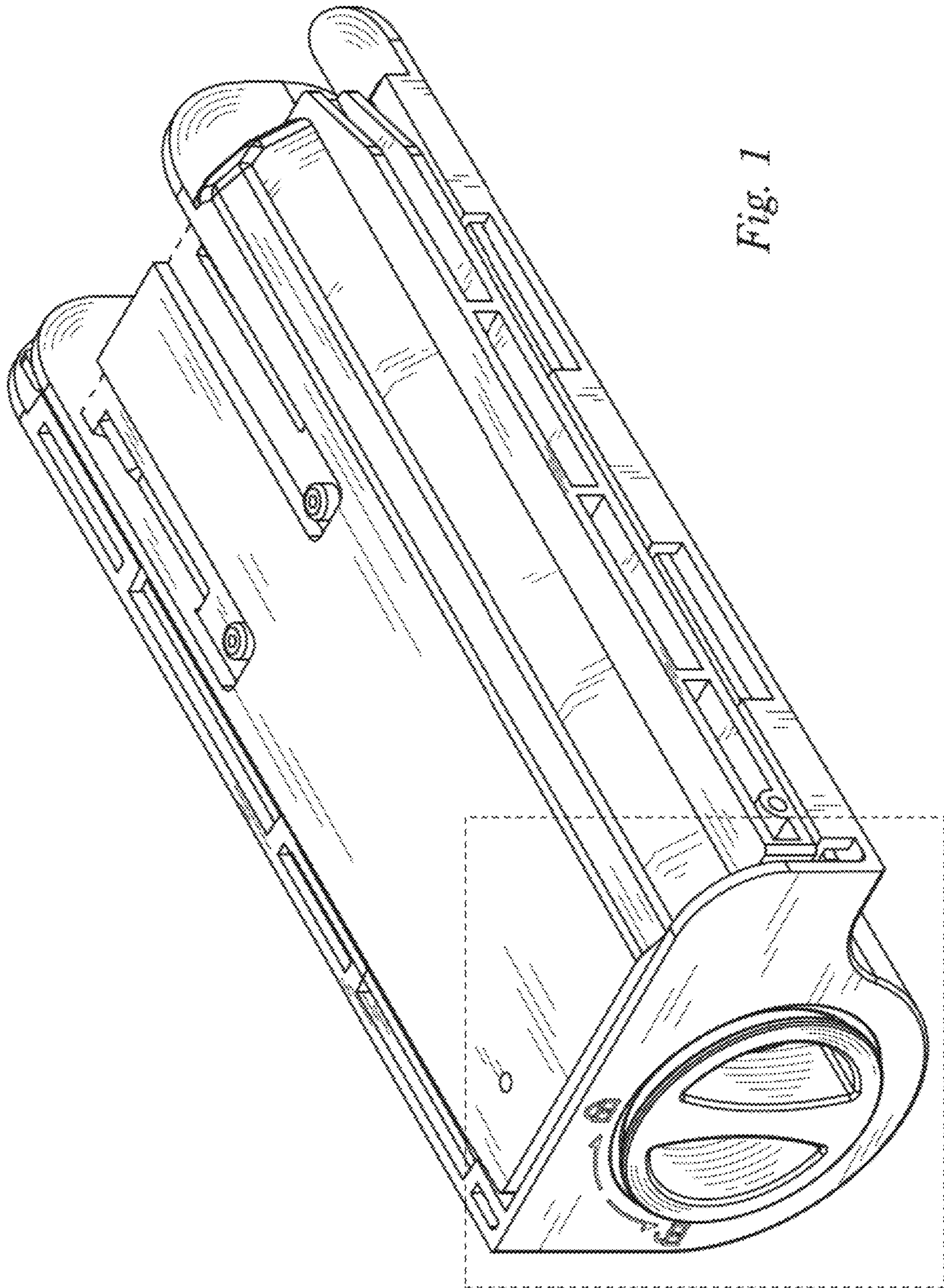


Fig. 2

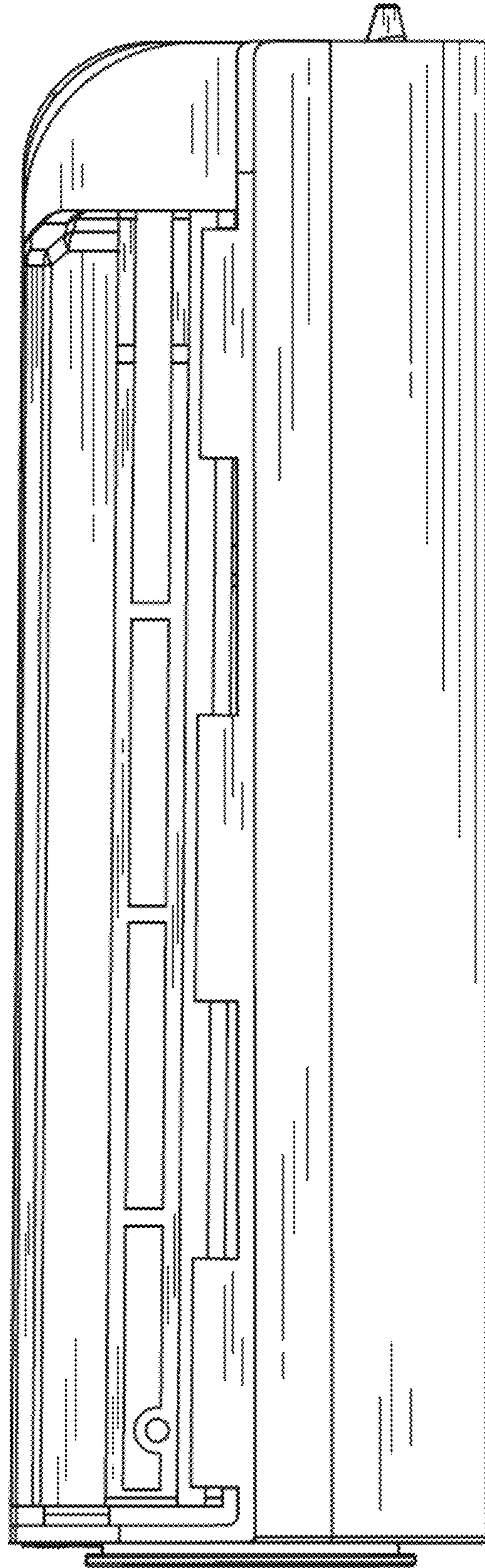


Fig. 3

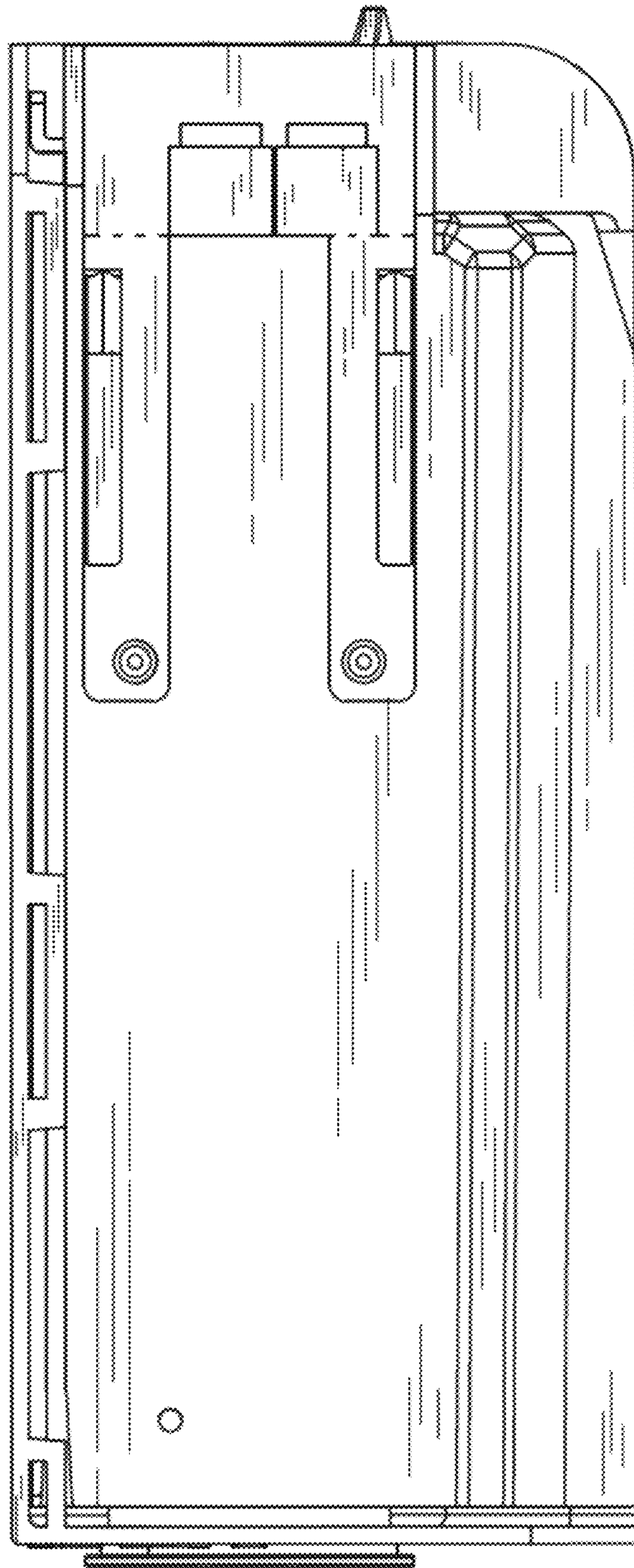


Fig. 4

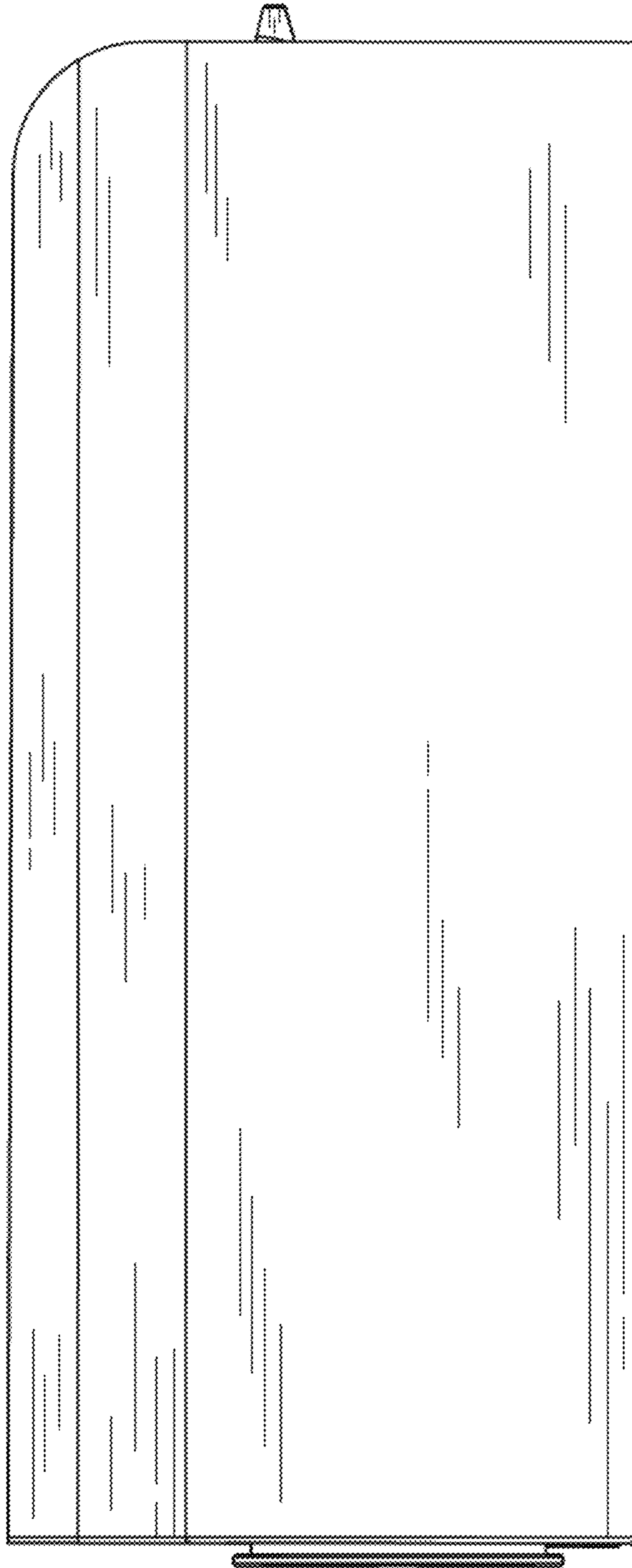
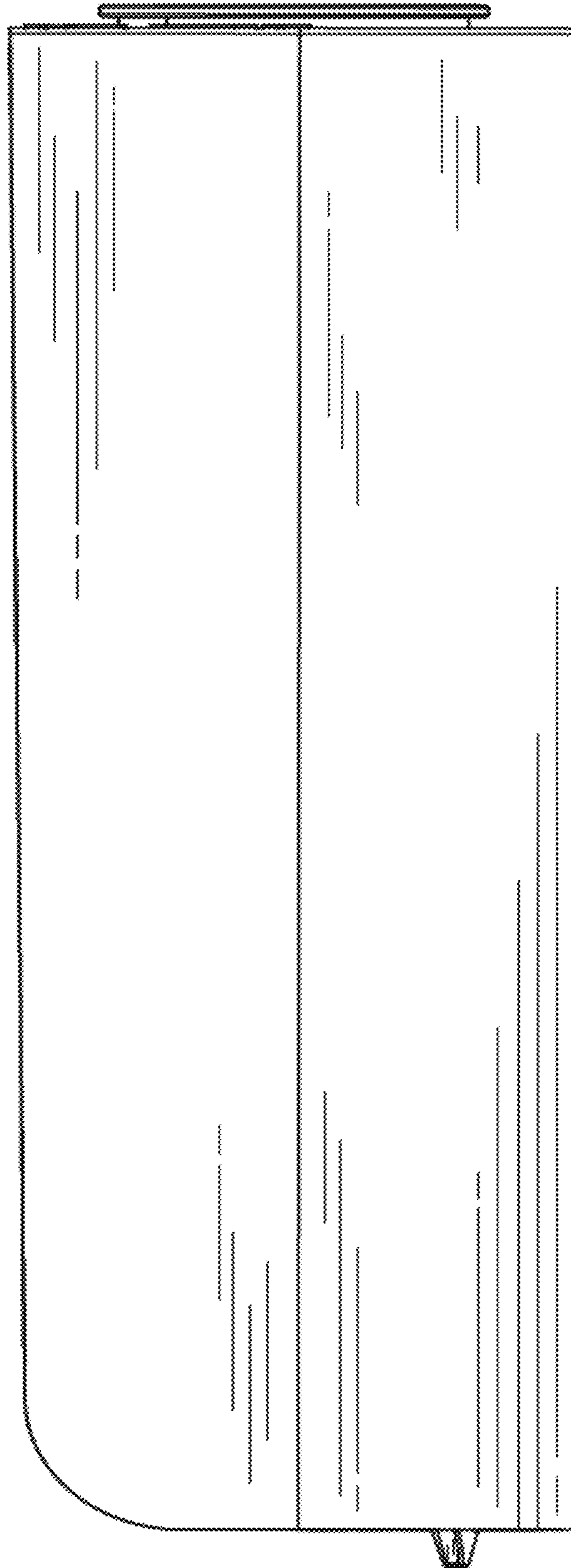


Fig. 5



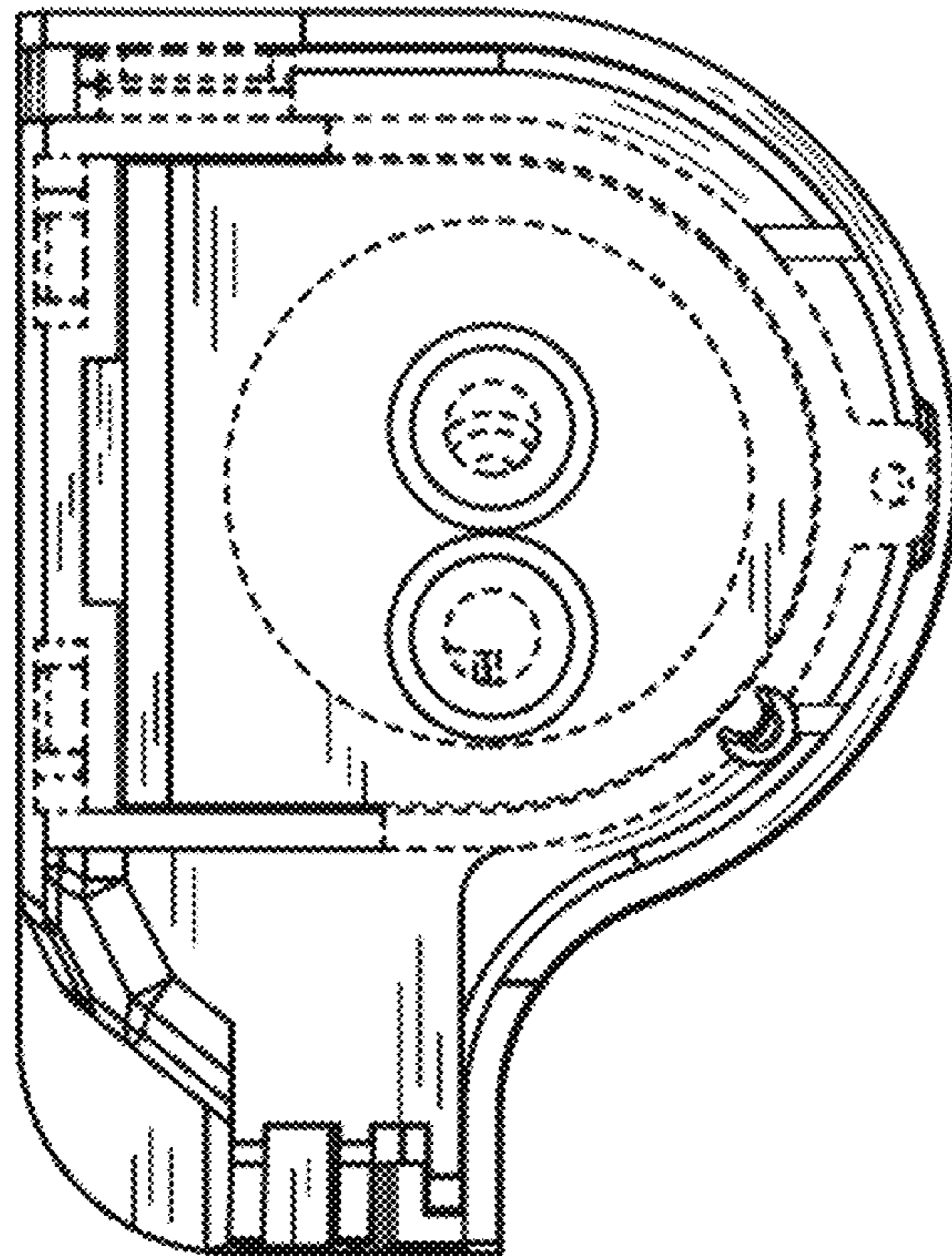
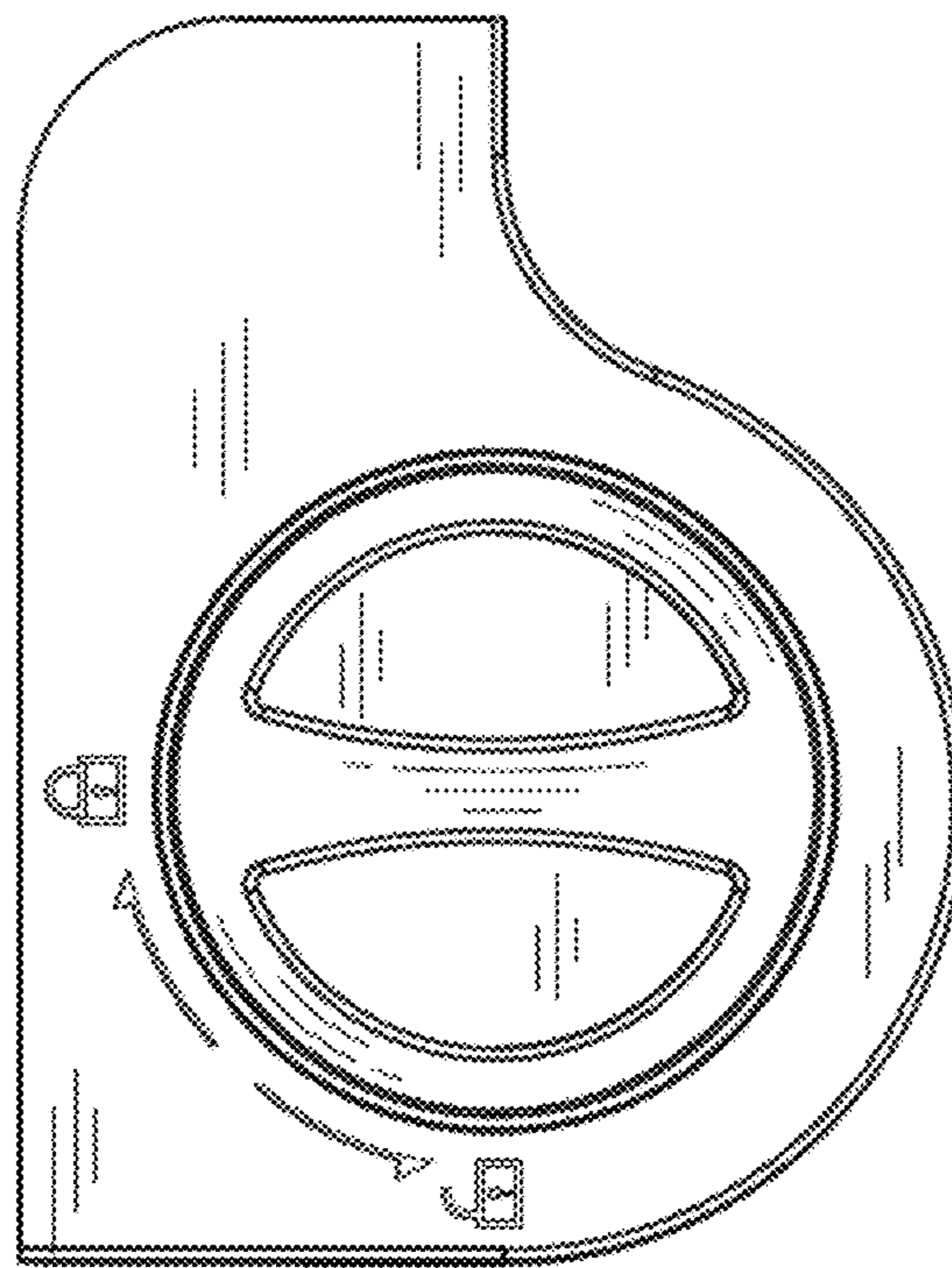


FIG. 6

Fig. 7



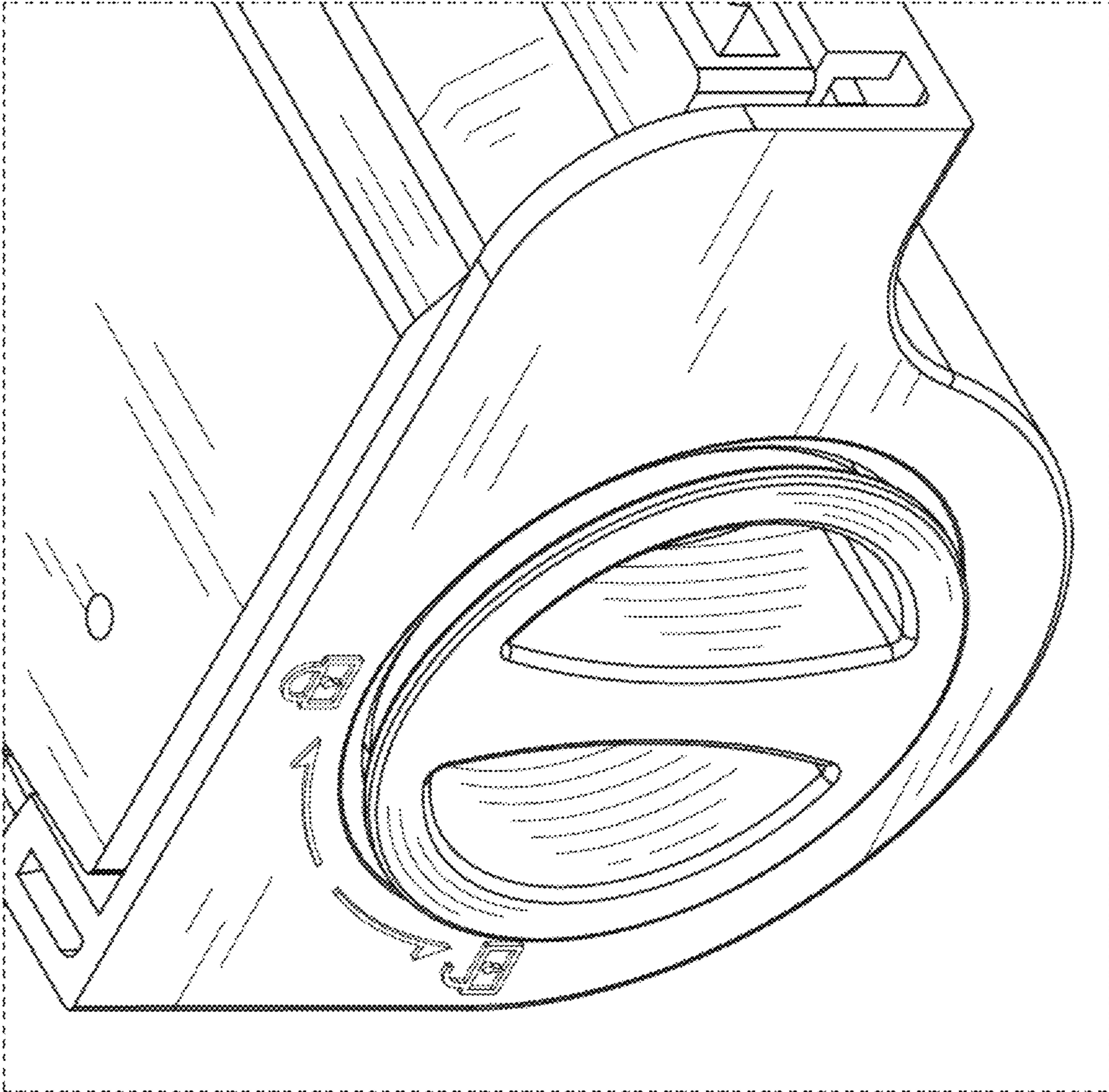


Fig. 8