

US00D879928S

(12) **United States Design Patent**  
**Fujioka et al.**

(10) **Patent No.:** **US D879,928 S**

(45) **Date of Patent:** **\*\* Mar. 31, 2020**

(54) **AIR CONDITIONER**

(71) Applicant: **FUJITSU GENERAL LIMITED**,  
Kawasaki-shi, Kanagawa (JP)

(72) Inventors: **Mitsuo Fujioka**, Kawasaki (JP);  
**Takayuki Kudo**, Kawasaki (JP); **Akiko Ueda**, Kawasaki (JP)

(73) Assignee: **FUJITSU GENERAL LIMITED**,  
Kawasaki-shi, Kanagawa (JP)

(\*\*) Term: **15 Years**

(21) Appl. No.: **29/667,861**

(22) Filed: **Oct. 25, 2018**

(30) **Foreign Application Priority Data**

Apr. 27, 2018 (JP) ..... 2018-009582

(51) **LOC (12) Cl.** ..... **23-04**

(52) **U.S. Cl.**  
USPC ..... **D23/351**

(58) **Field of Classification Search**  
USPC ..... D23/333, 351-354, 388  
CPC .... F24F 1/00; F24F 1/0007; F24F 1/02; F24F  
1/08; F24F 1/42; F24F 1/56; F24F 1/60;  
F24F 3/044; F24F 3/048; F24F 3/16;  
G05D 23/1905; G05D 23/1932; G05D  
23/1902; G05D 23/1931; G05B 19/0426;  
G05B 19/409; G05B 15/02  
See application file for complete search history.

(56) **References Cited**

**U.S. PATENT DOCUMENTS**

D624,168 S \* 9/2010 Aketa ..... D23/351  
D627,043 S \* 11/2010 Tanaka ..... D23/351

D670,799 S \* 11/2012 Yamana ..... D23/351  
D679,440 S \* 4/2013 Smith ..... D26/76  
D680,635 S \* 4/2013 Kashimoto ..... D23/351  
D683,833 S \* 6/2013 Chouji ..... D23/351  
D777,893 S \* 1/2017 Kato ..... D23/351  
D777,894 S \* 1/2017 Kato ..... D23/351  
D796,018 S \* 8/2017 Kusuki ..... D23/351  
D811,569 S \* 2/2018 Fujioka ..... D23/351  
D815,265 S \* 4/2018 Seifert ..... D23/351  
D824,502 S \* 7/2018 Kudo ..... D23/351

\* cited by examiner

*Primary Examiner* — Natasha Vujcic

(74) *Attorney, Agent, or Firm* — Sughrue Mion, PLLC

(57) **CLAIM**

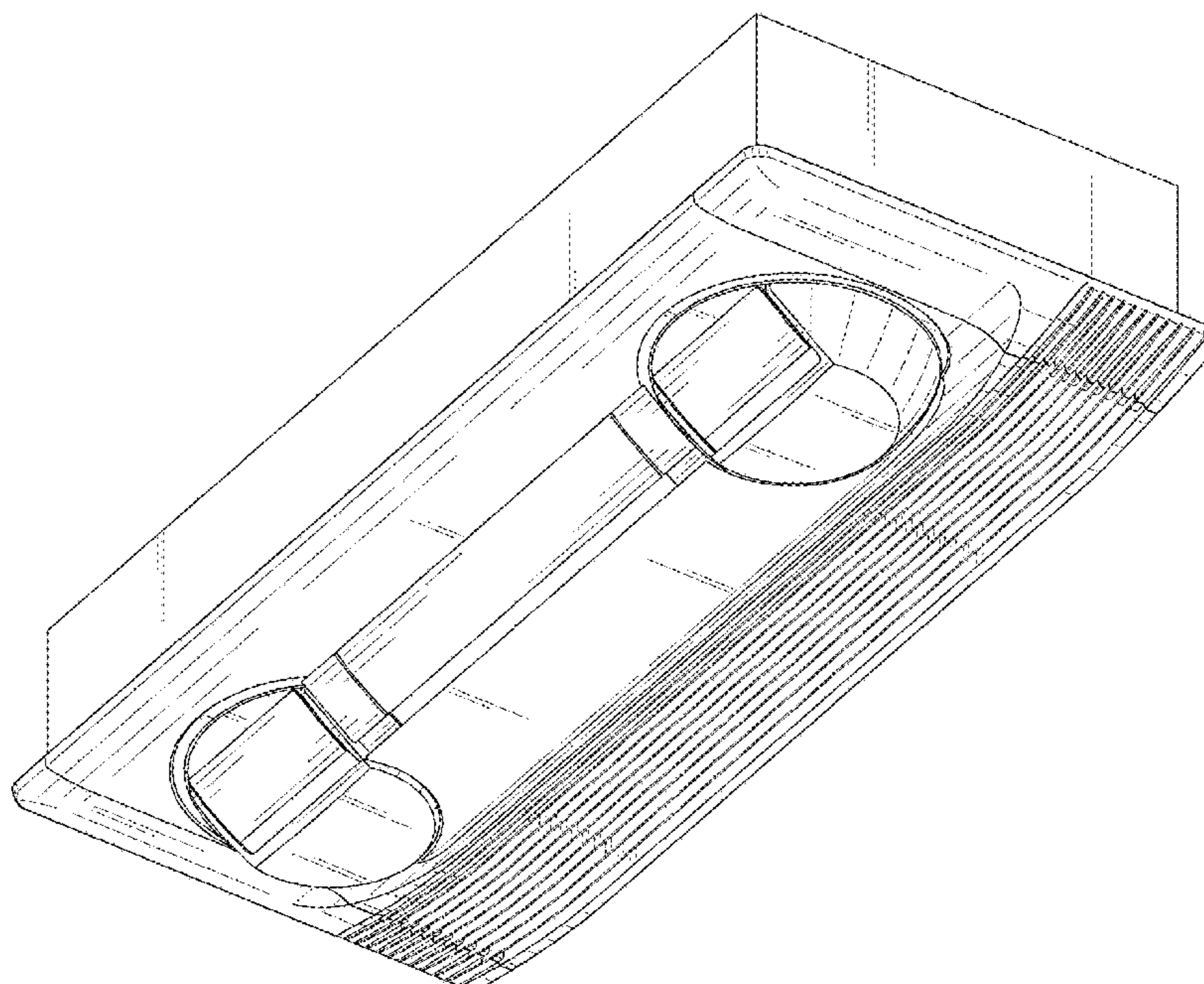
The ornamental design for an air conditioner, as shown and described.

**DESCRIPTION**

FIG. 1 is a perspective view of an air conditioner showing our new design;  
FIG. 2 is a front view thereof;  
FIG. 3 is a rear view thereof;  
FIG. 4 is a left side view thereof;  
FIG. 5 is a right side view thereof;  
FIG. 6 is a top view thereof;  
FIG. 7 is a bottom view thereof; and,  
FIG. 8 is a perspective view showing an operating state thereof.

The broken lines in the drawings illustrate portions of the air conditioner which form no part of the claimed design.

**1 Claim, 6 Drawing Sheets**



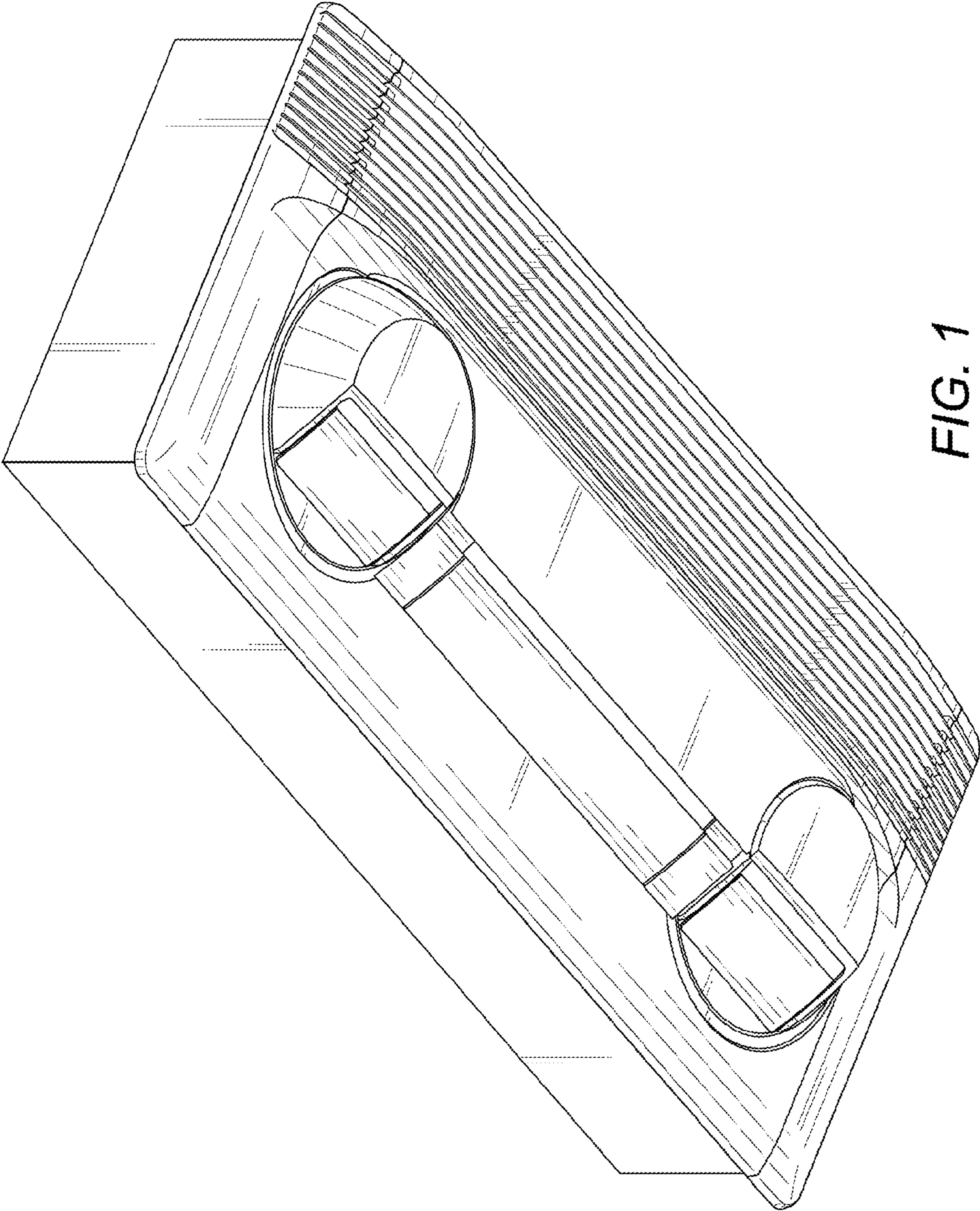


FIG. 1



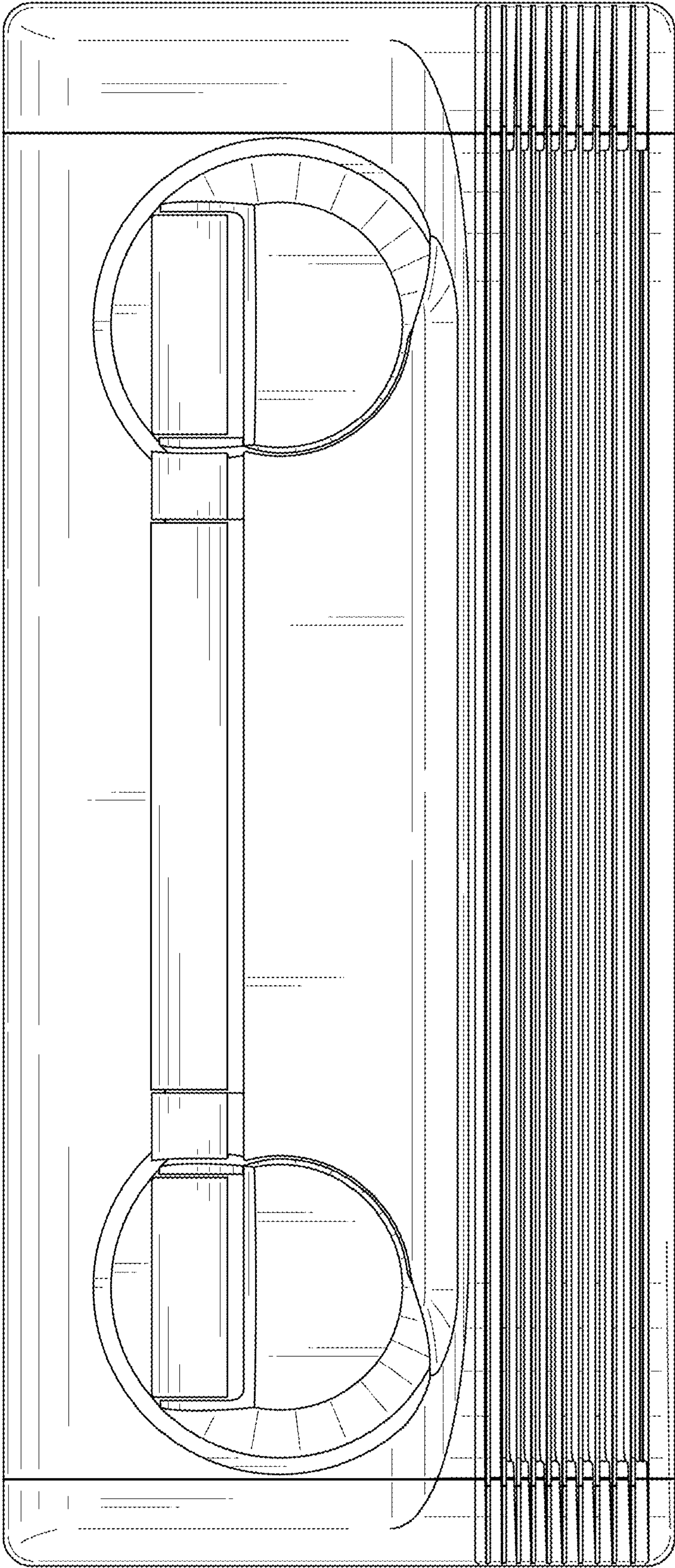


FIG. 2

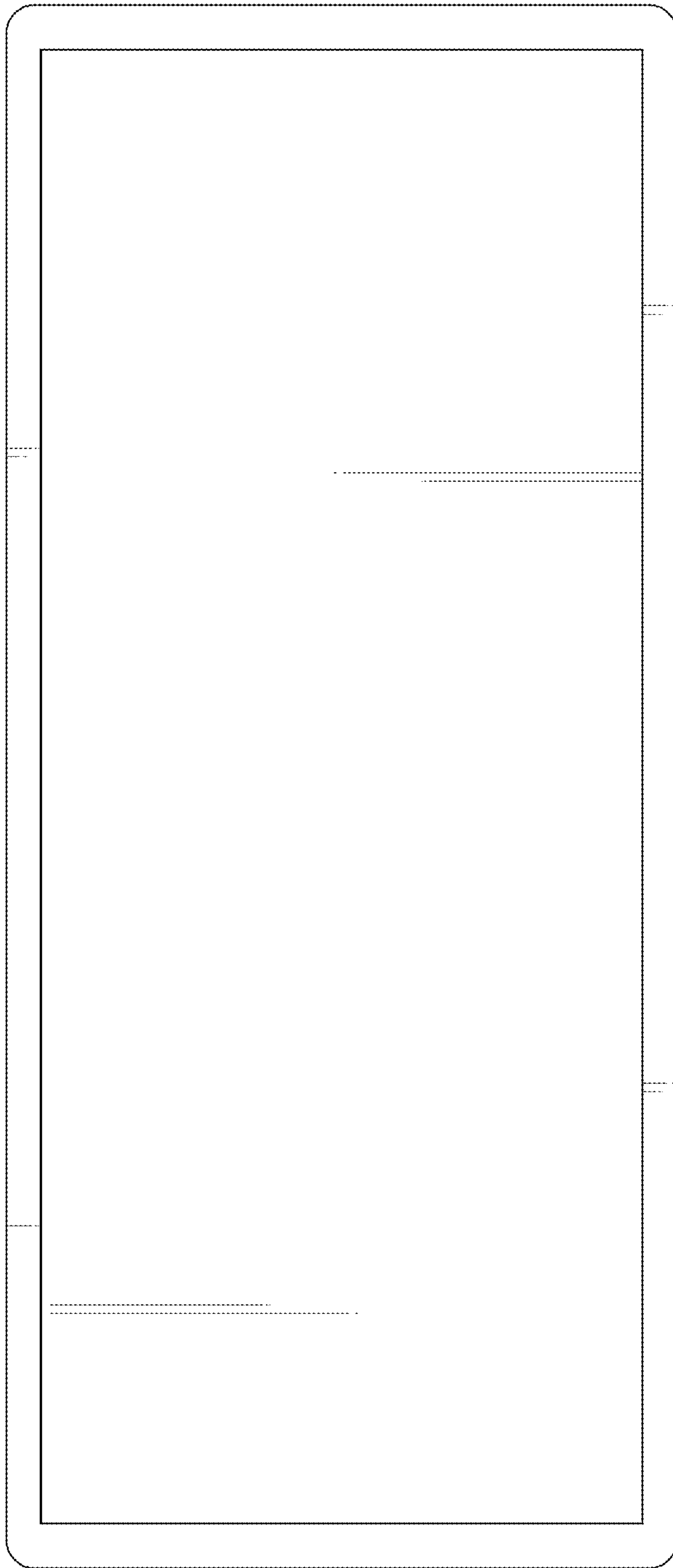


FIG. 3

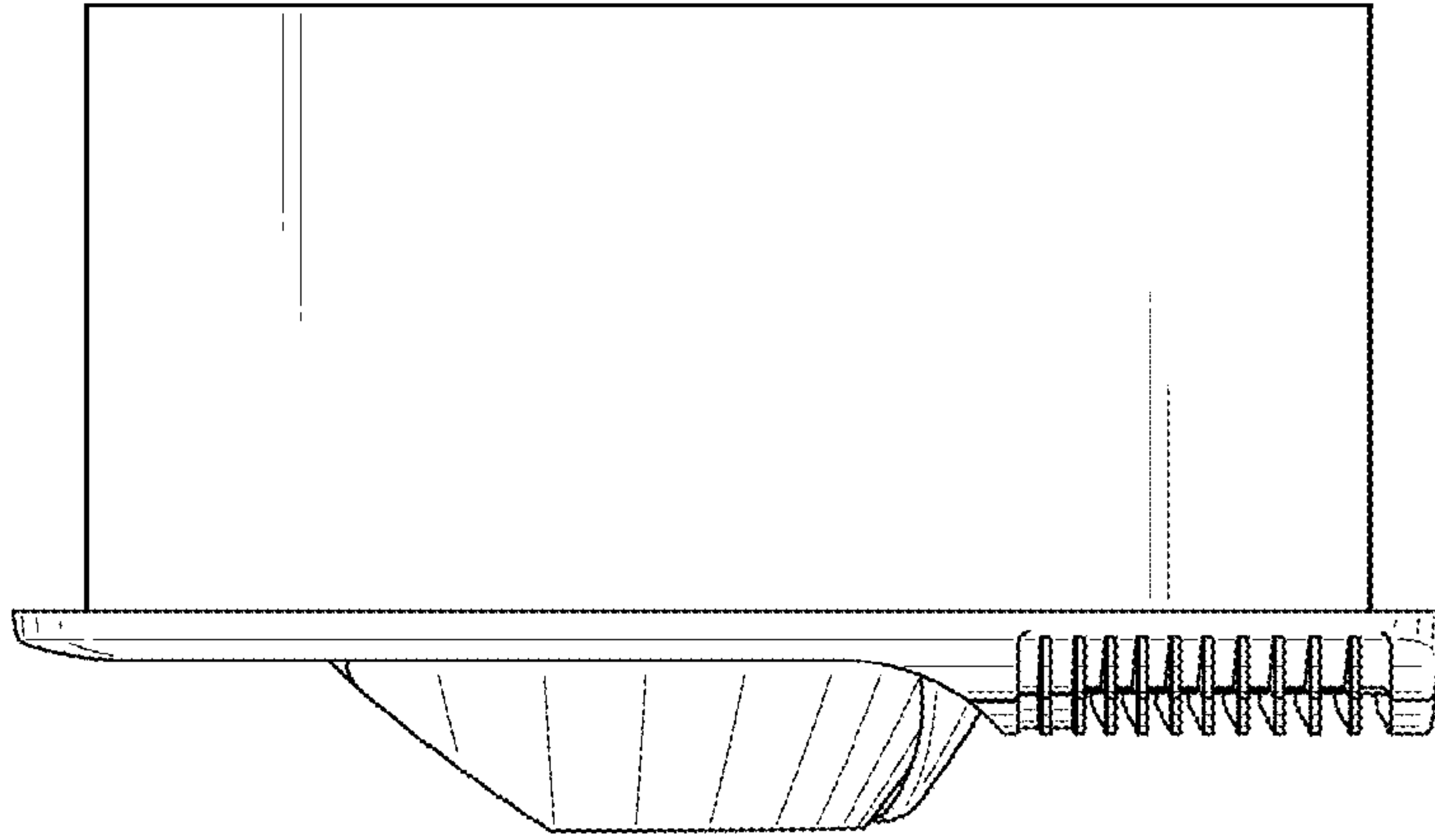


FIG. 5

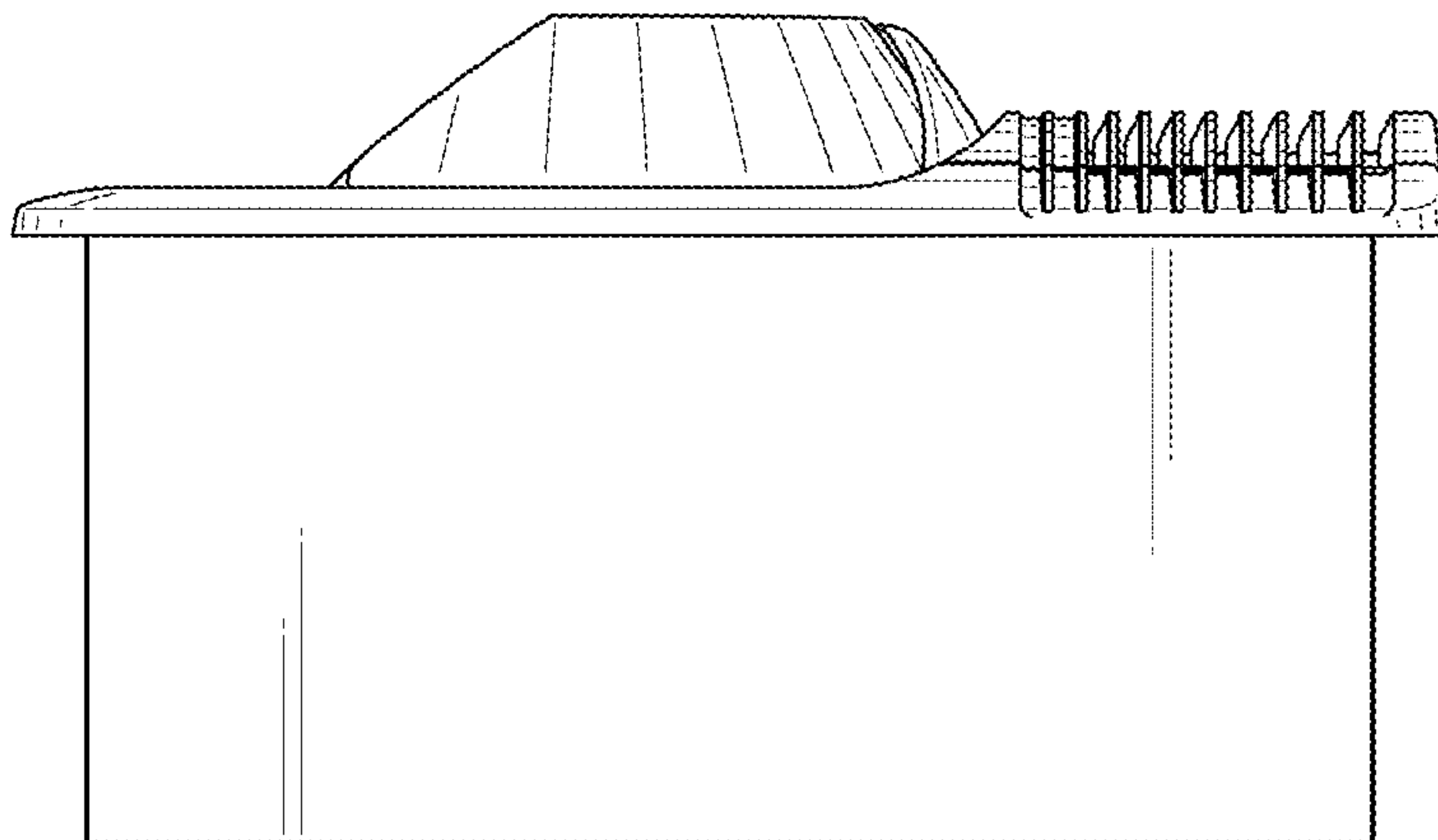


FIG. 4

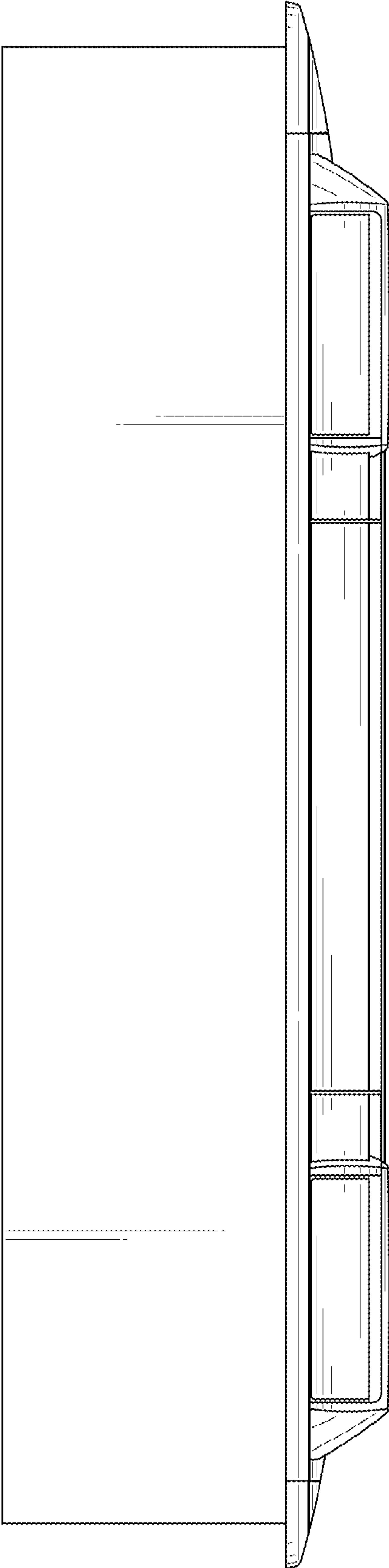


FIG. 6

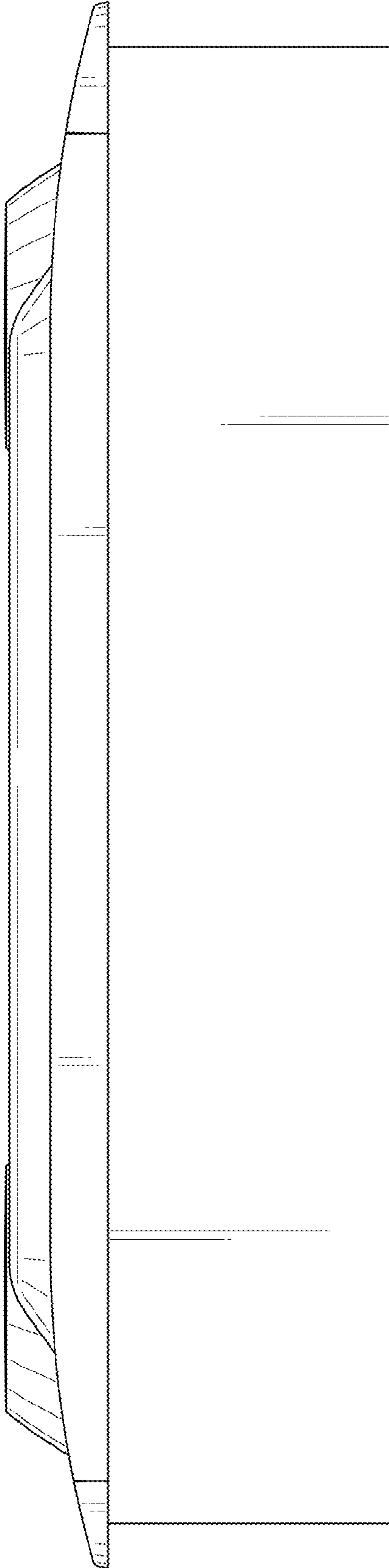


FIG. 7



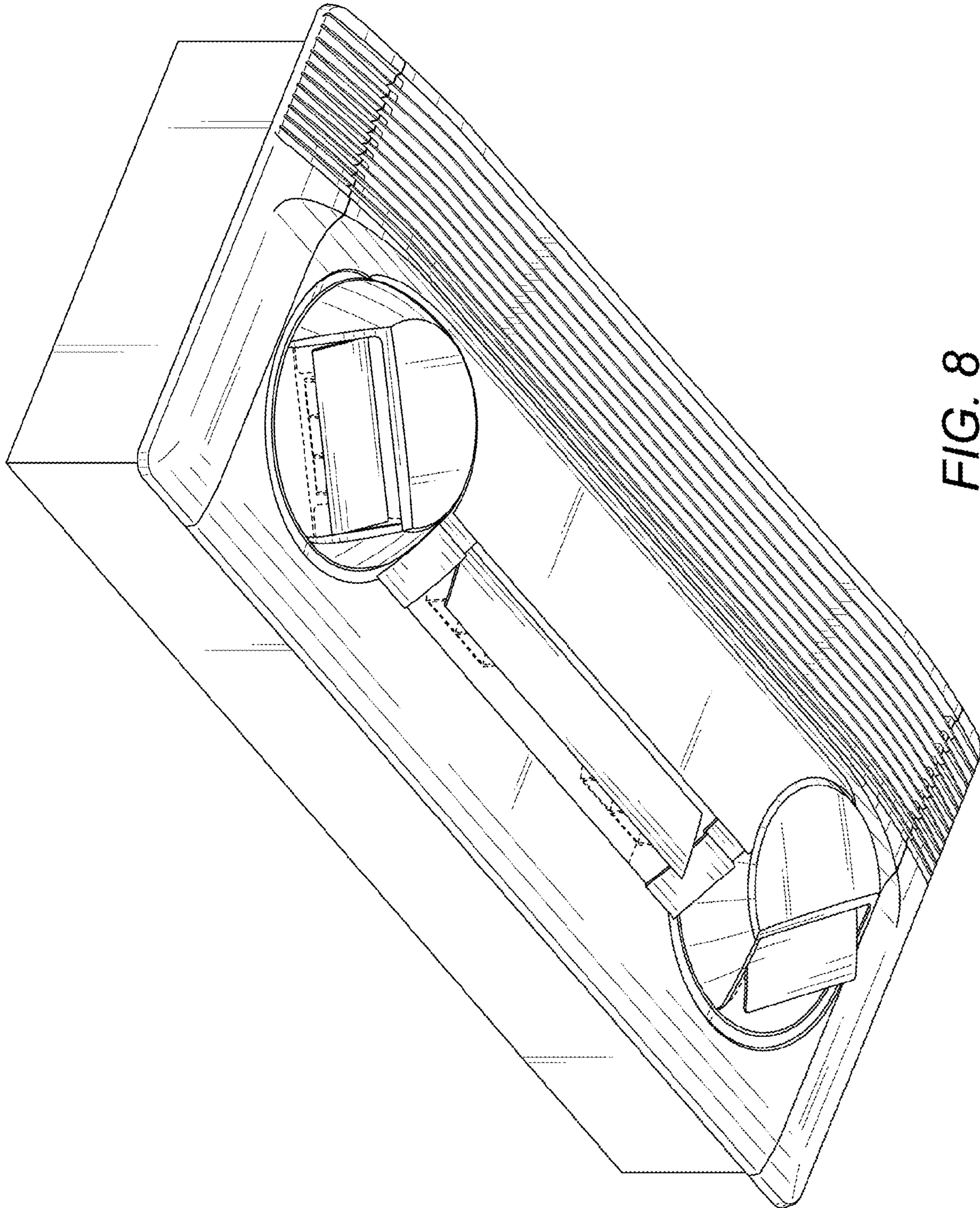


FIG. 8