



US00D879927S

(12) **United States Design Patent**
Sanagi

(10) **Patent No.:** **US D879,927 S**

(45) **Date of Patent:** **** Mar. 31, 2020**

(54) **AIR CONDITIONER**

(71) Applicant: **Takaaki Sanagi**, Osaka (JP)

(72) Inventor: **Takaaki Sanagi**, Osaka (JP)

(73) Assignee: **DAIKIN INDUSTRIES LTD.**,
Osaka-Shi (JP)

(**) Term: **15 Years**

(21) Appl. No.: **29/667,074**

(22) Filed: **Oct. 18, 2018**

(30) **Foreign Application Priority Data**

May 10, 2018 (JP) 2018-010166

(51) **LOC (12) Cl.** **23-04**

(52) **U.S. Cl.**
USPC **D23/351**

(58) **Field of Classification Search**

USPC D23/333, 351-354, 388

CPC F24F 1/00; F24F 1/0007; F24F 1/02; F24F
1/08; F24F 1/42; F24F 1/56; F24F 1/60;
F24F 3/044; F24F 3/048; F24F 3/16;
G05D 23/1905; G05D 23/1932; G05D
23/1902; G05D 23/1931; G05B 19/0426;
G05B 19/409; G05B 15/02

See application file for complete search history.

(56) **References Cited**

U.S. PATENT DOCUMENTS

D536,430 S * 2/2007 Miyake D23/351
D539,889 S * 4/2007 Chooji D23/351

D579,095 S * 10/2008 Nagahori D23/351
D648,013 S * 11/2011 Baek D23/351
D648,014 S * 11/2011 Baek D23/351
D648,015 S * 11/2011 Baek D23/351
D674,068 S * 1/2013 Baek D23/351
D700,309 S * 2/2014 Seki D23/351
D761,405 S * 7/2016 Chouji D23/351
D761,406 S * 7/2016 Zhang D23/351
D763,421 S * 8/2016 Saitou D23/351
D800,284 S * 10/2017 Fujigaya D23/351
D801,498 S * 10/2017 Li D23/351
D814,001 S * 3/2018 Arai D23/351
D857,867 S * 8/2019 Shin D23/351

* cited by examiner

Primary Examiner — Natasha Vujcic

(74) *Attorney, Agent, or Firm* — Manabu Kanosaka

(57) **CLAIM**

The ornamental design for air conditioner, as shown and described.

DESCRIPTION

FIG. 1 is a perspective view of an air conditioner showing my new design;

FIG. 2 is a front view thereof;

FIG. 3 is a rear view thereof;

FIG. 4 is a plan view thereof;

FIG. 5 is a bottom view thereof;

FIG. 6 is a left side view thereof;

FIG. 7 is a right side view thereof;

FIG. 8 is a right side view of a usage state; and,

FIG. 9 is a perspective view of a usage state.

1 Claim, 4 Drawing Sheets

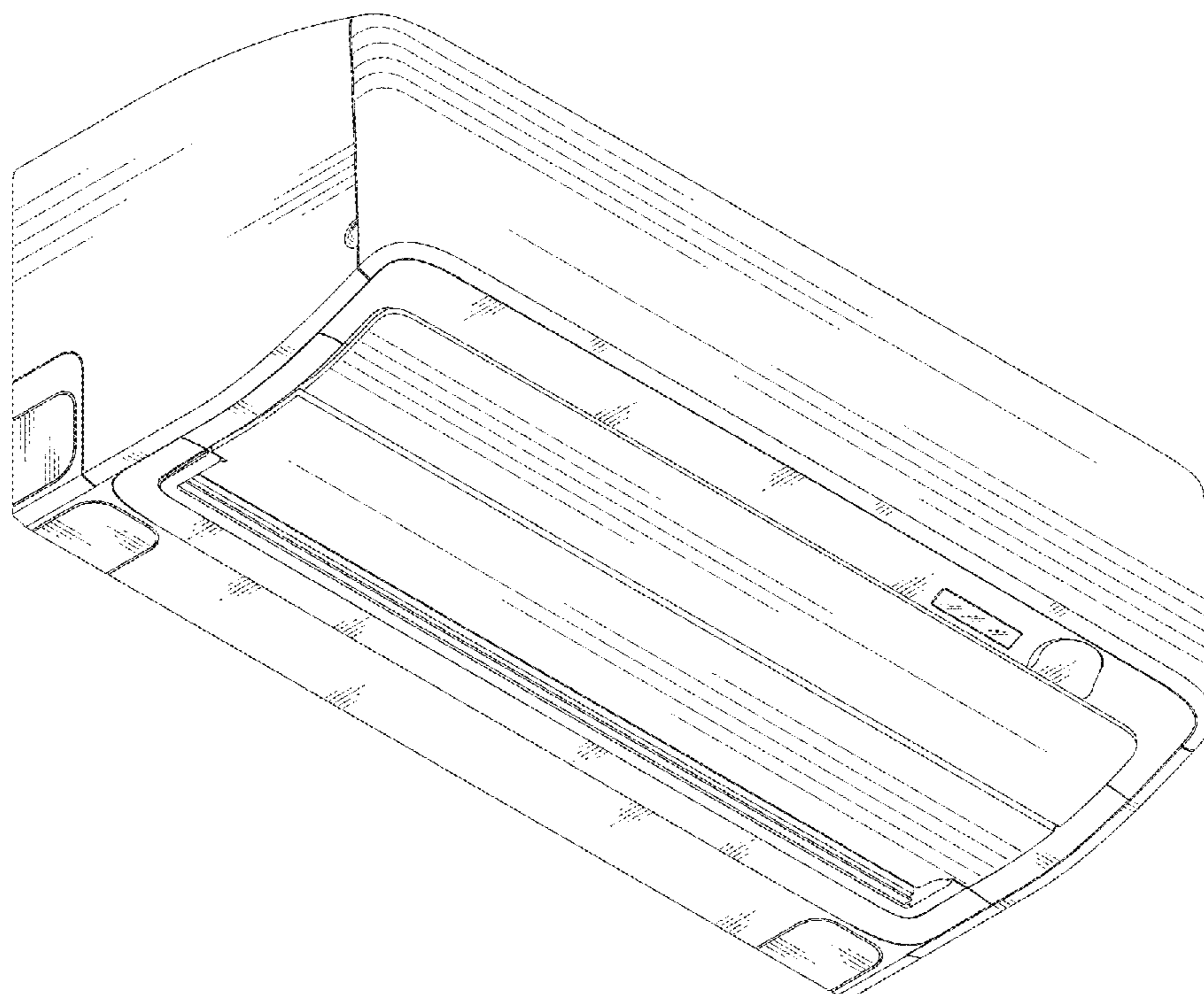


Fig.1

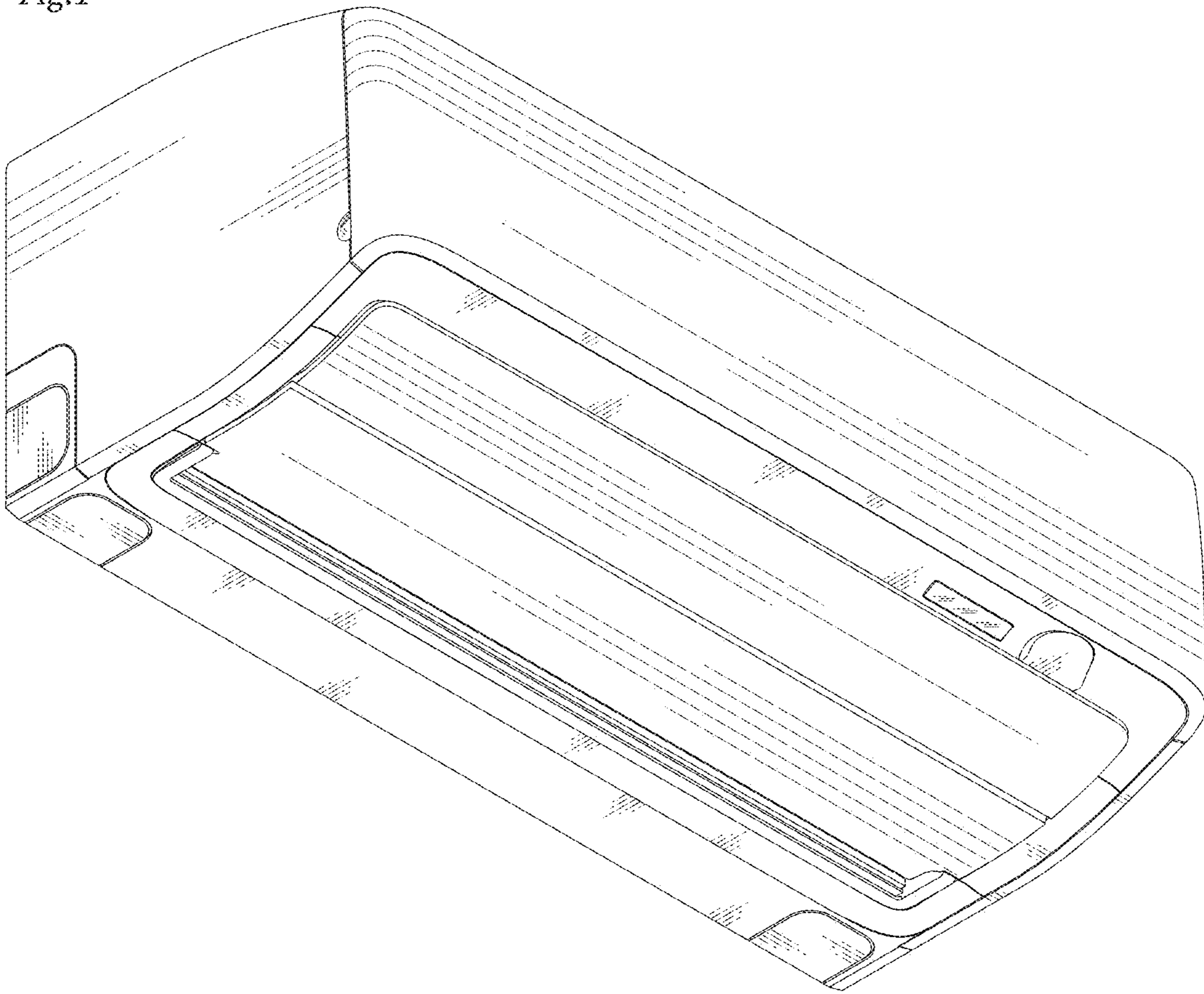


Fig.2

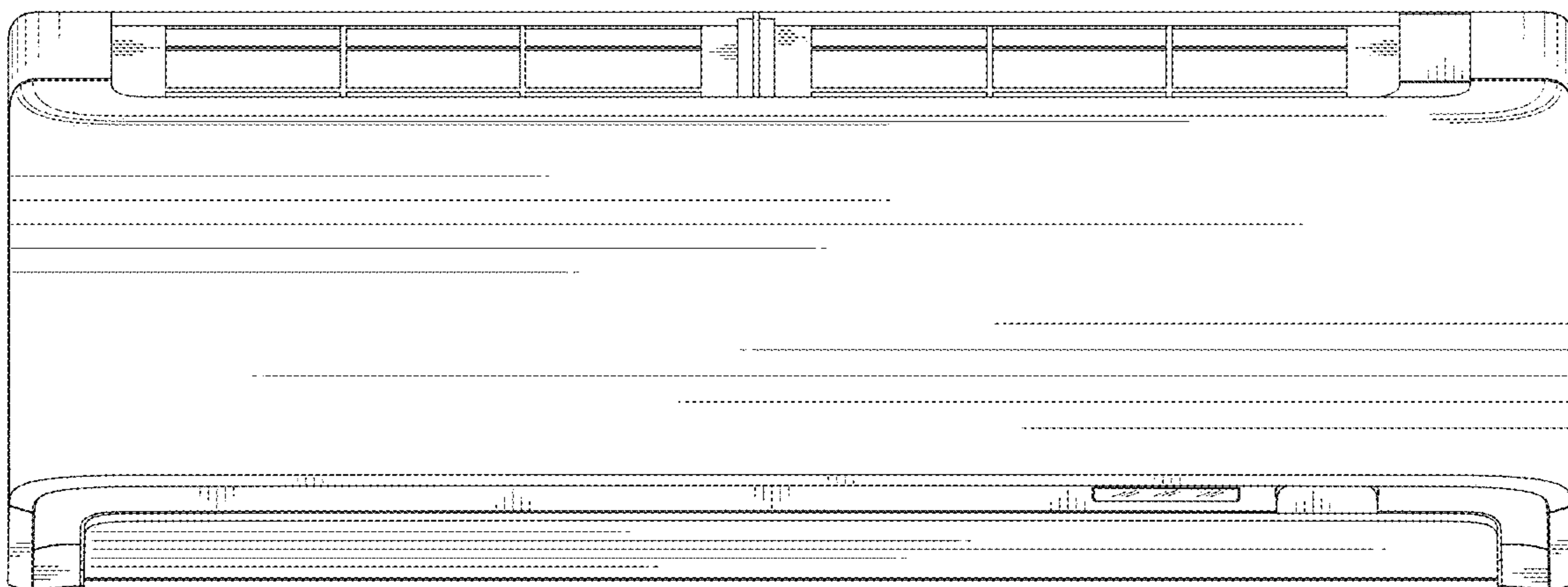


Fig.3

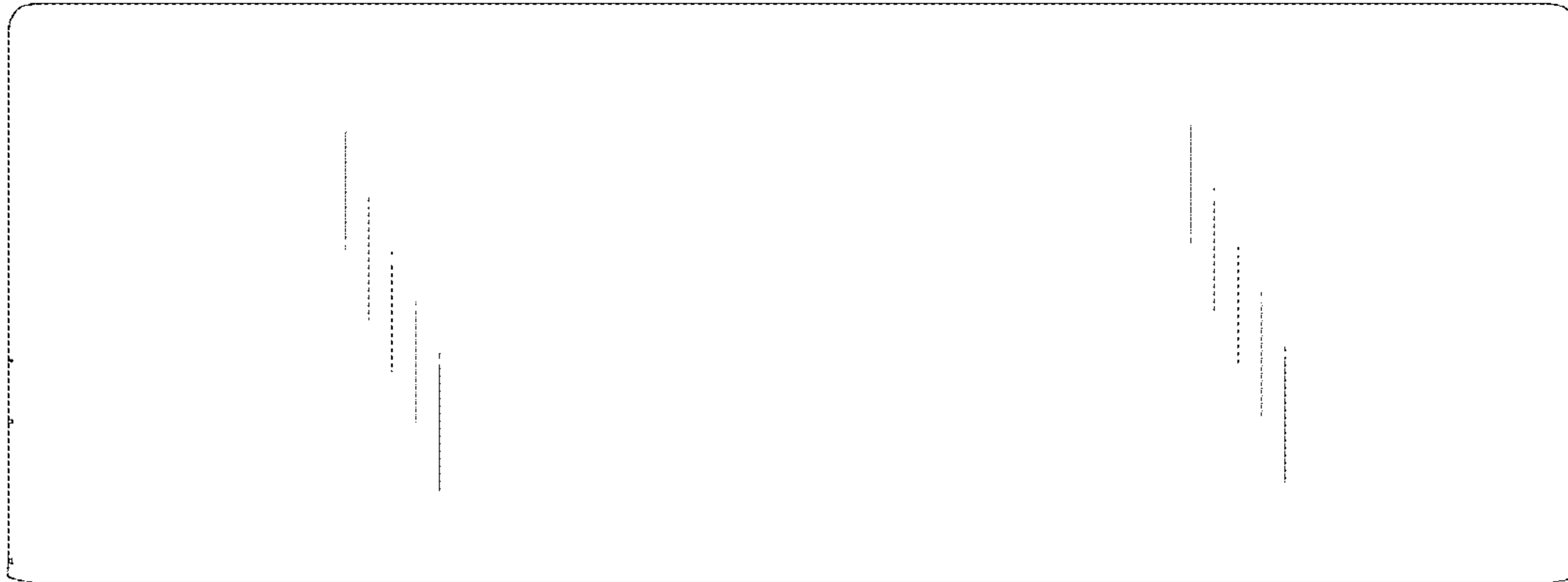


Fig.4

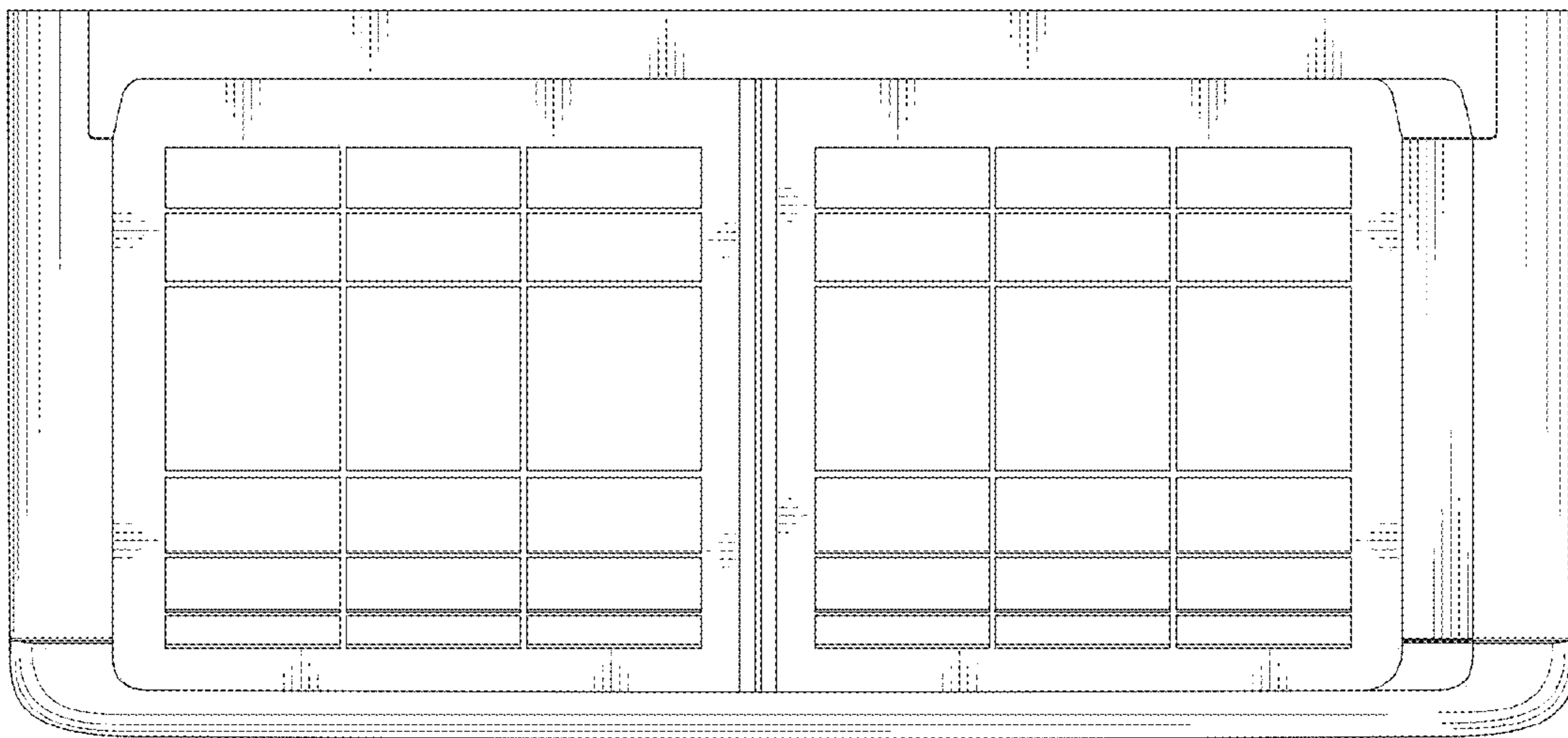


Fig.5

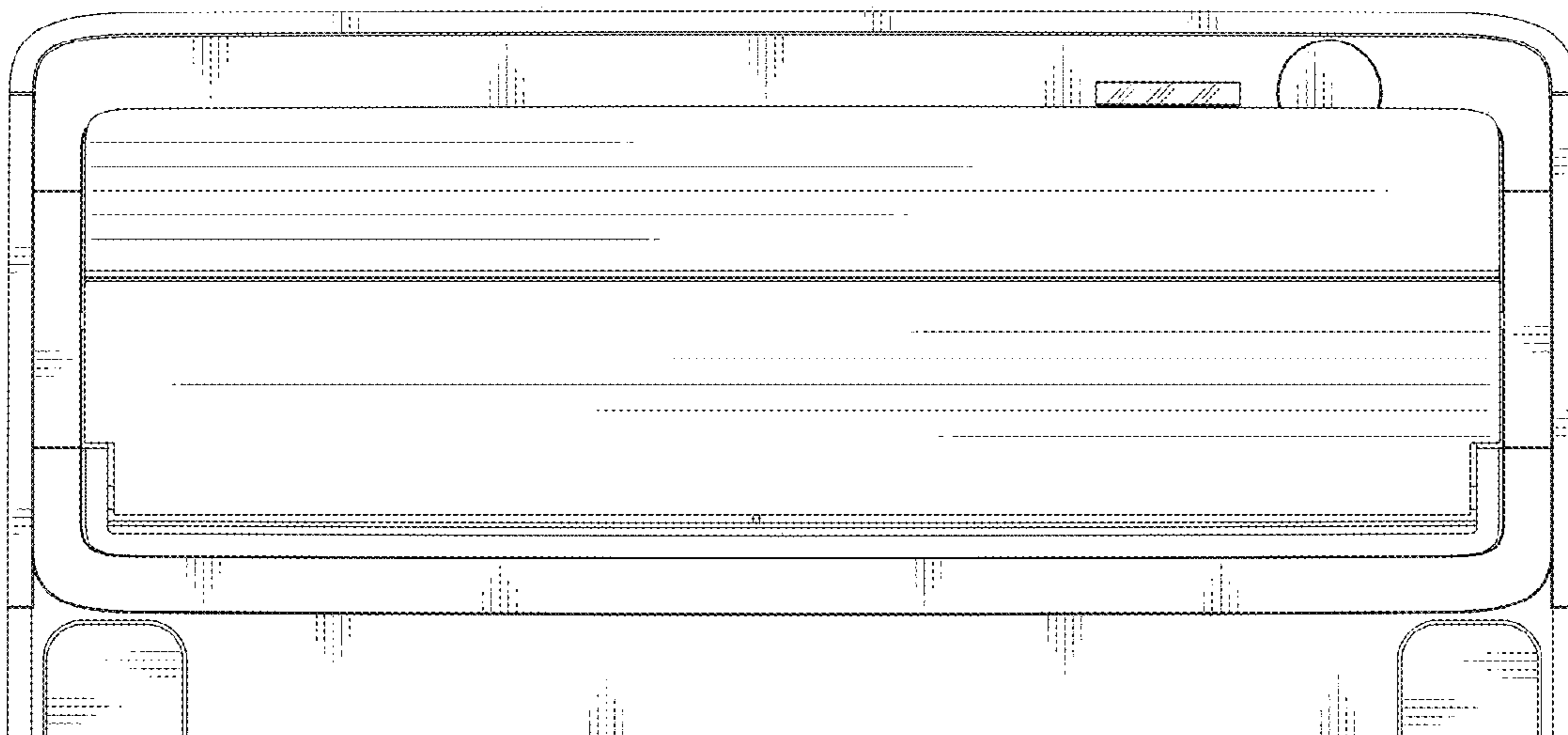


Fig.6

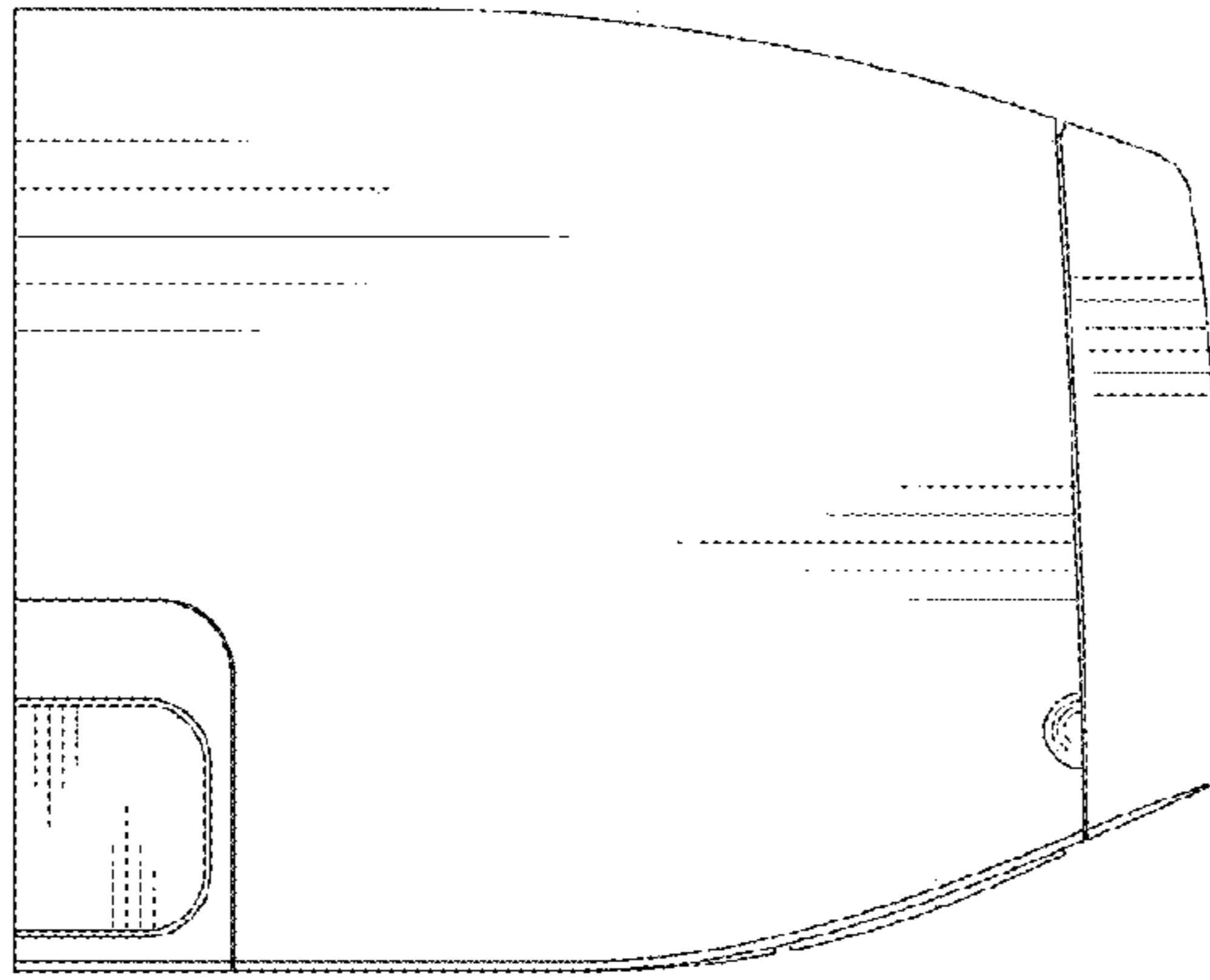


Fig.7

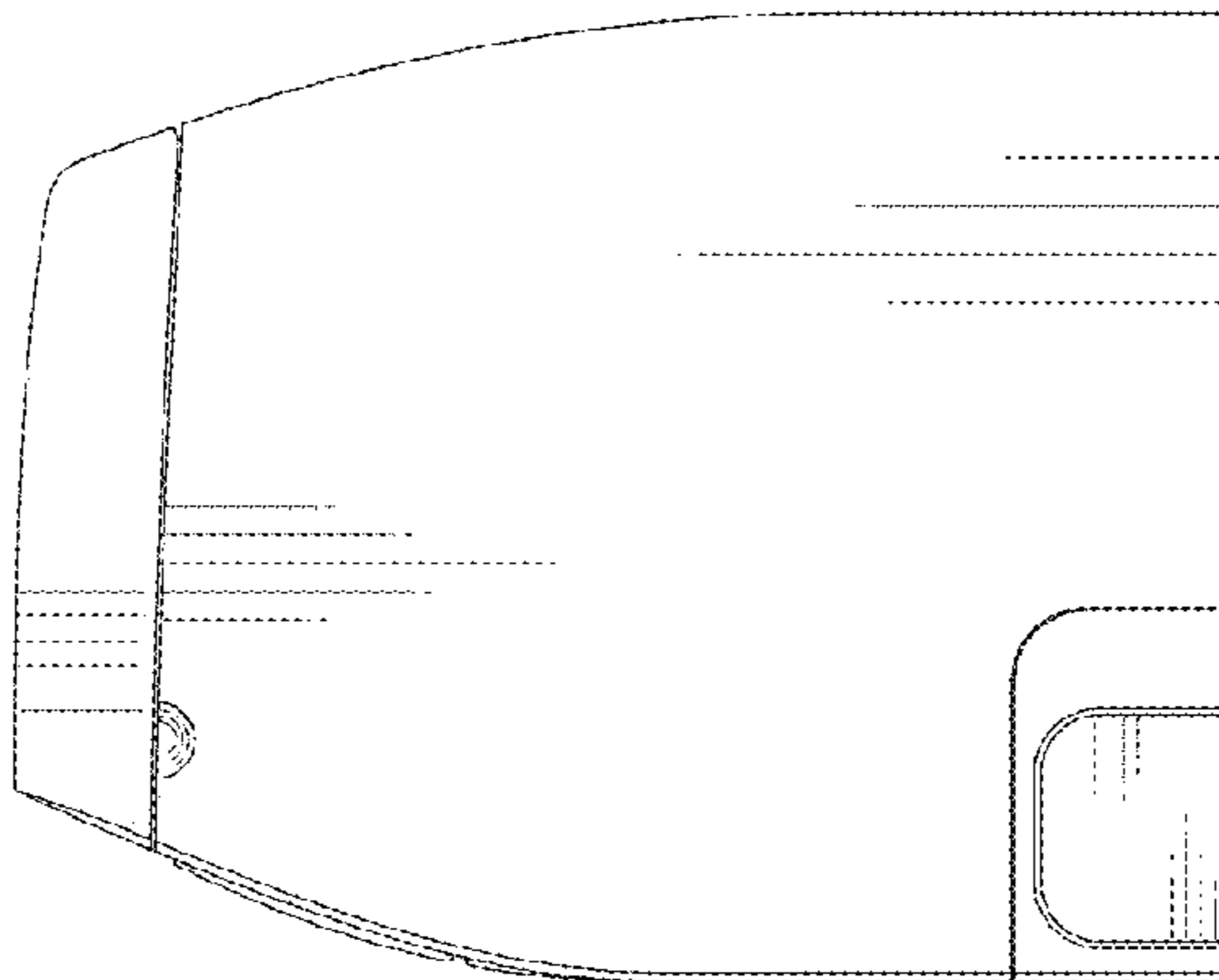


Fig.8

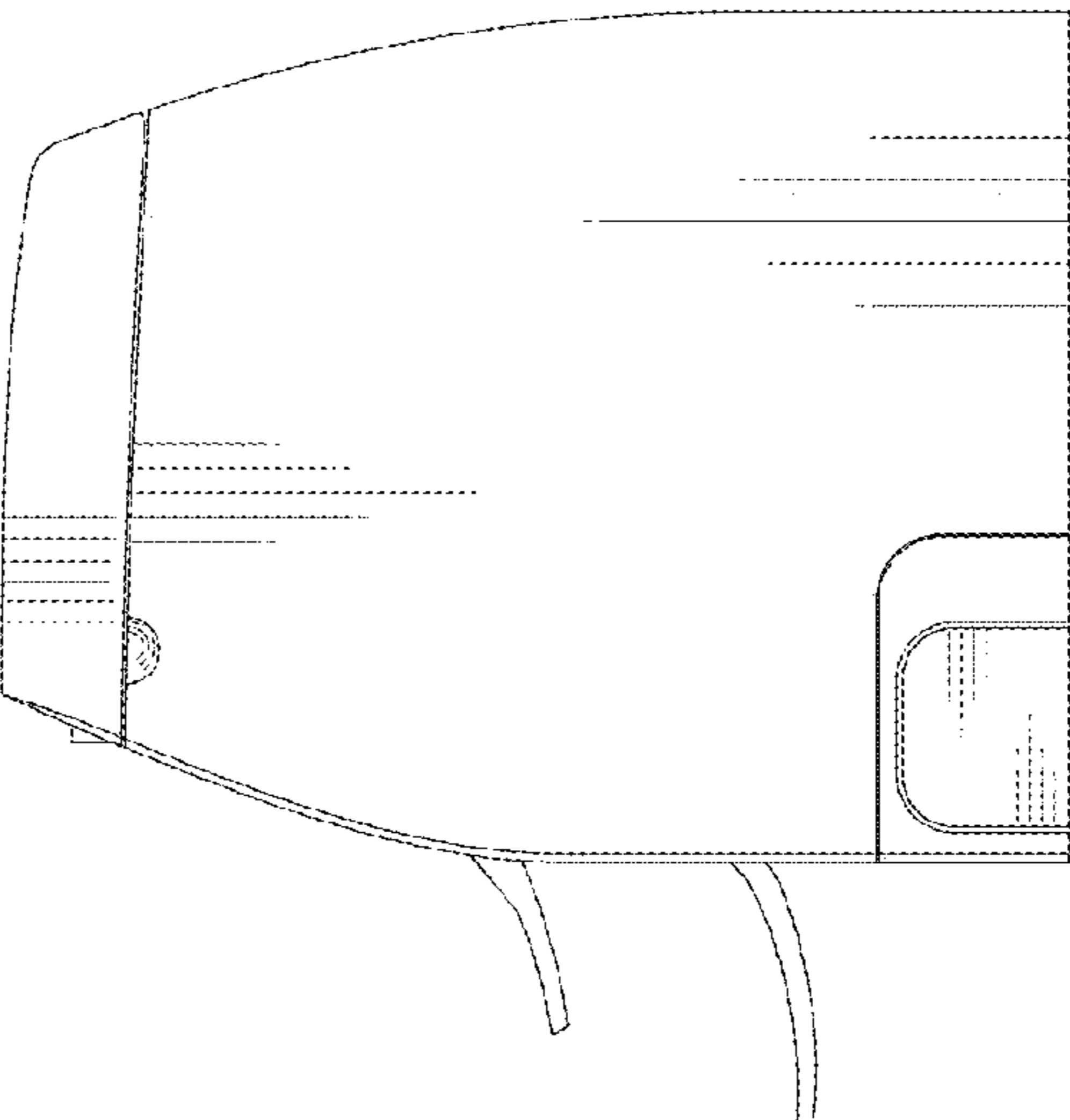


Fig.9

