



US00D879926S

(12) **United States Design Patent**  
**Hu**

(10) **Patent No.:** **US D879,926 S**

(45) **Date of Patent:** **\*\* Mar. 31, 2020**

(54) **POTTY CHAIR**

(71) Applicant: **Xianwen Hu**, Shenzhen (CN)

(72) Inventor: **Xianwen Hu**, Shenzhen (CN)

(\*\*) Term: **15 Years**

(21) Appl. No.: **29/703,331**

(22) Filed: **Aug. 26, 2019**

(51) **LOC (12) Cl.** ..... **23-02**

(52) **U.S. Cl.**  
USPC ..... **D23/309**

(58) **Field of Classification Search**  
USPC ..... D23/296, 303, 309, 311; D6/333;  
D25/64-65

CPC ..... A47K 13/06; A47K 13/24; A47K 17/028;  
A47K 11/04; A47C 12/02; G09B  
19/0076; Y10S 4/902

See application file for complete search history.

(56) **References Cited**

**U.S. PATENT DOCUMENTS**

D301,131 S 5/1989 Brooks  
D453,040 S 1/2002 Davis

D570,461 S \* 6/2008 Desnos-Simon ..... D23/296  
D618,321 S \* 6/2010 Yeung ..... D23/296  
D621,489 S \* 8/2010 Tu ..... D23/311  
D685,066 S 6/2013 Erli  
2018/0168412 A1\* 6/2018 Pham ..... A47K 17/028

\* cited by examiner

*Primary Examiner* — Robert A Delehanty

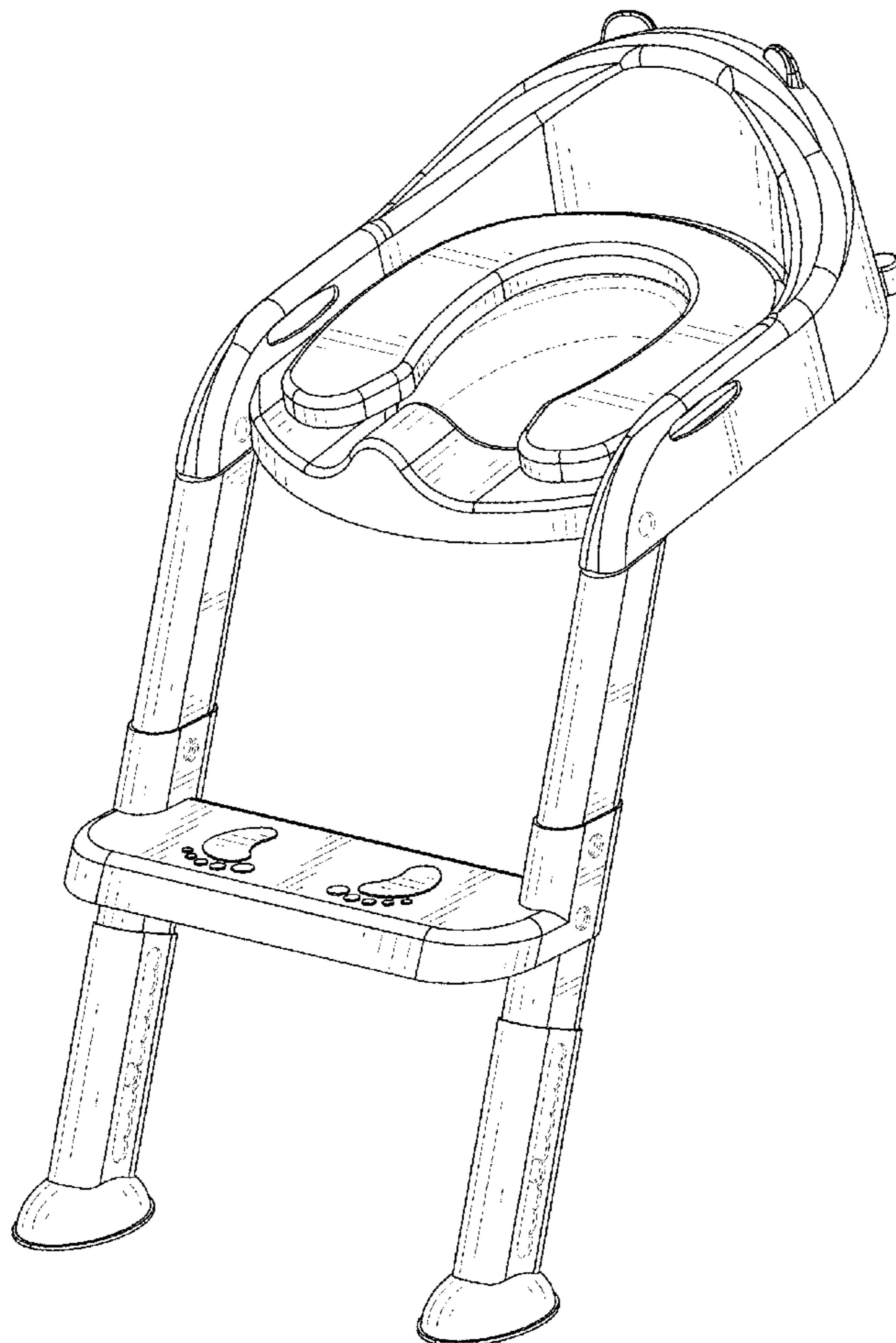
(57) **CLAIM**

The ornamental design for a potty chair, as shown and described.

**DESCRIPTION**

FIG. 1 is a top right perspective view showing a potty chair, showing my new design;  
FIG. 2 is a front elevation view thereof;  
FIG. 3 is a rear elevation view thereof;  
FIG. 4 is a top plan view thereof;  
FIG. 5 is a bottom plan view thereof;  
FIG. 6 is a left side elevation view thereof; and,  
FIG. 7 is a right side elevation view thereof.  
The broken lines in the drawings depict portions of the potty chair that form no part of the claimed design.

**1 Claim, 7 Drawing Sheets**



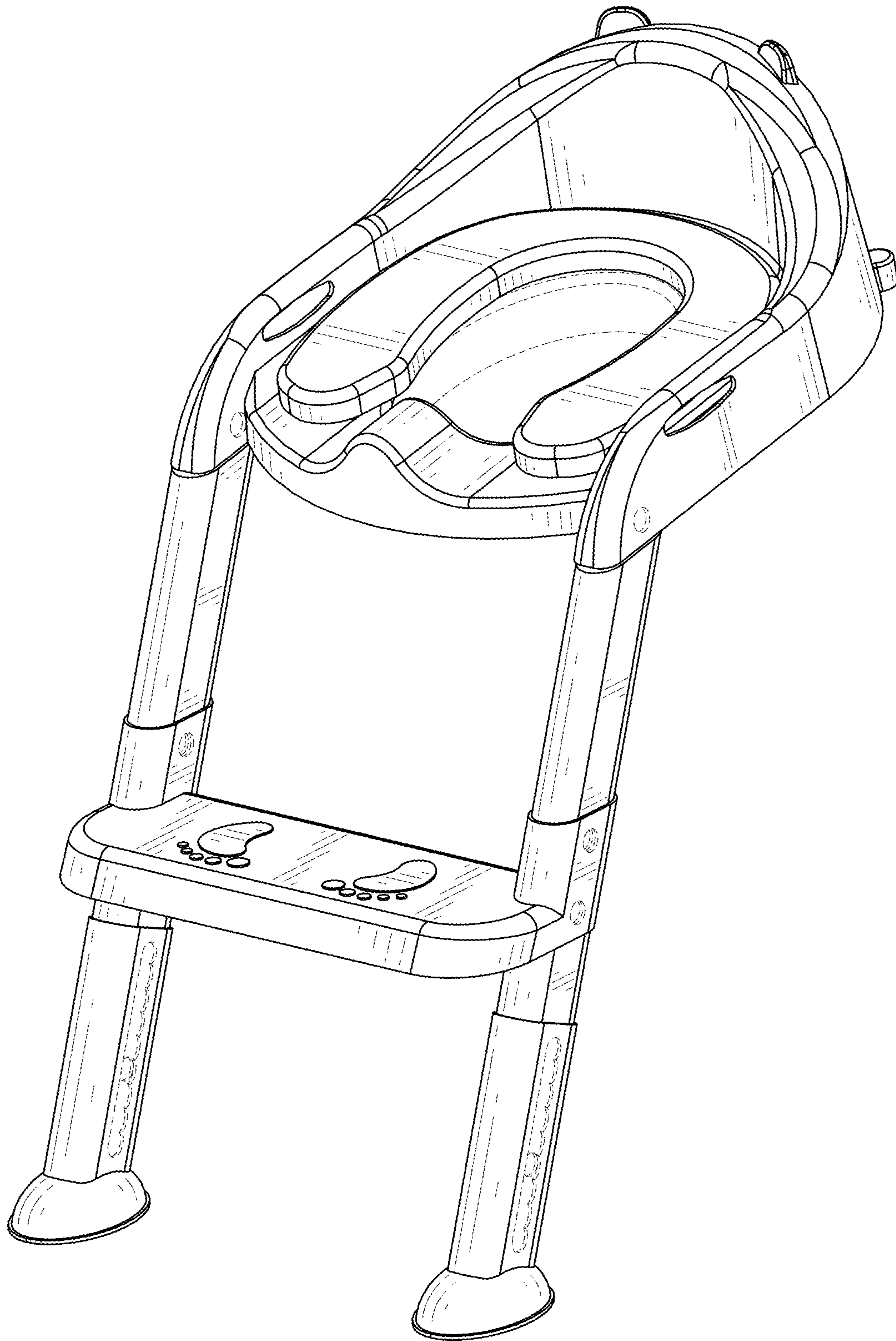


FIG. 1

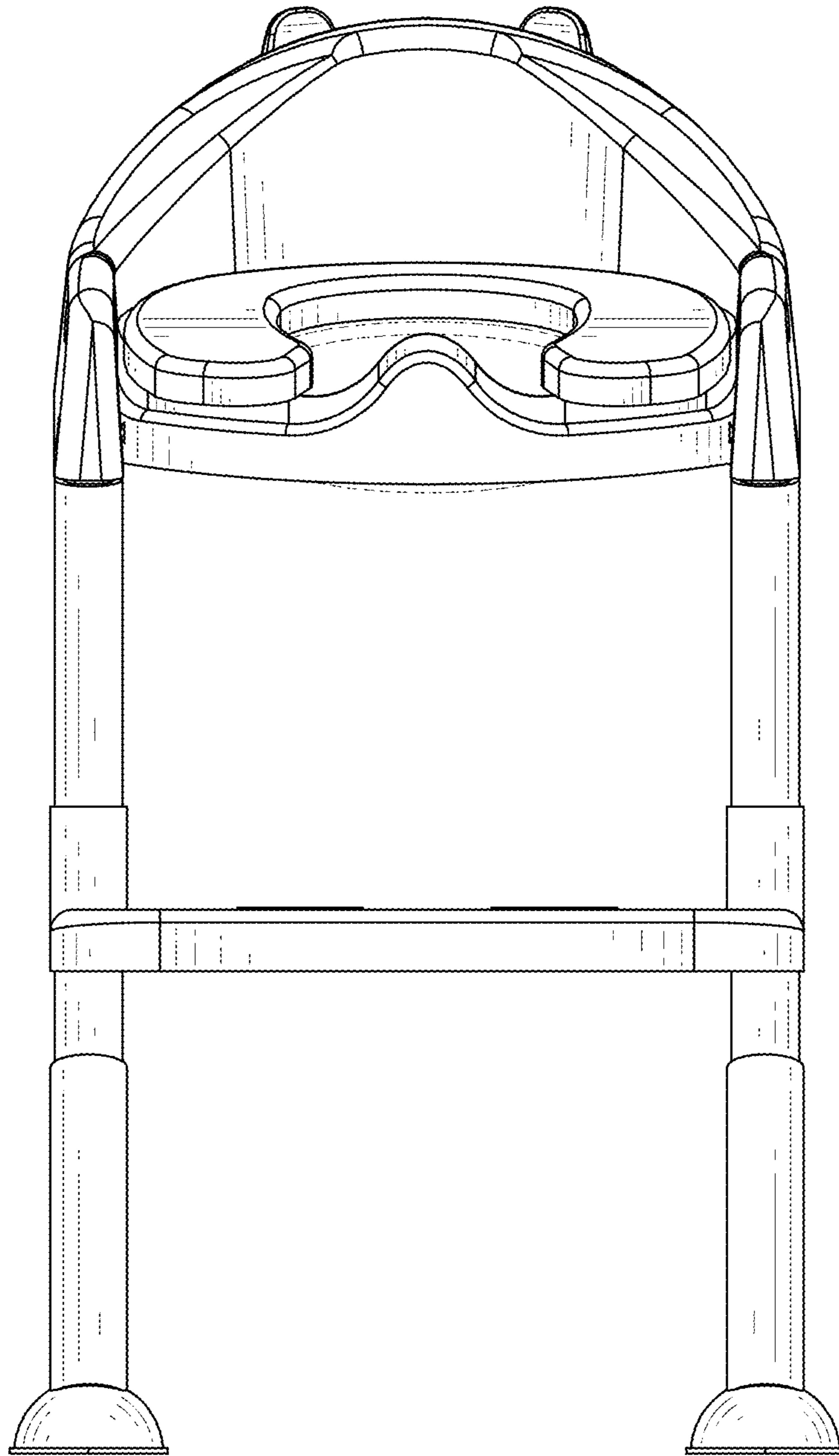


FIG. 2

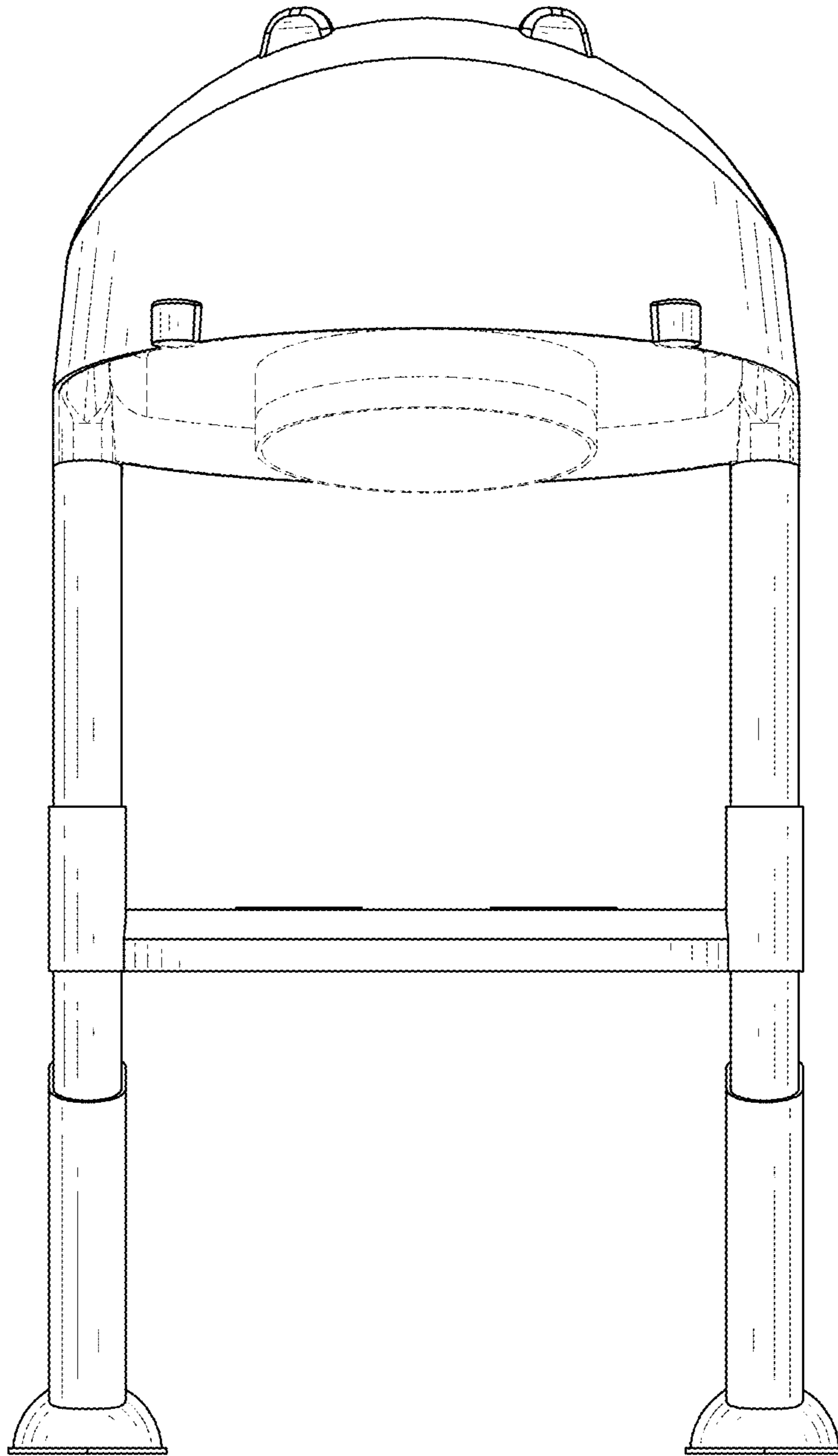


FIG. 3



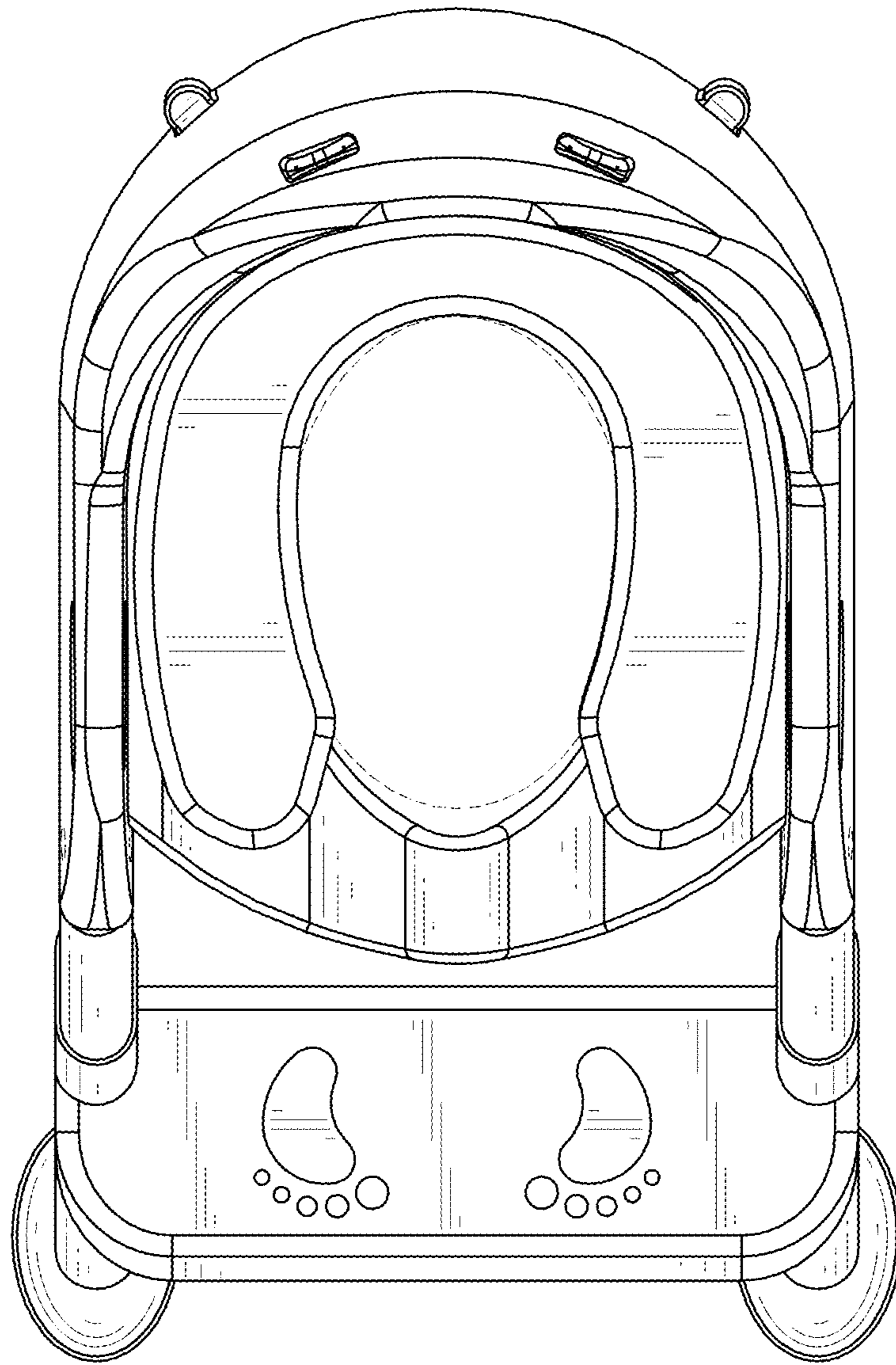


FIG. 4

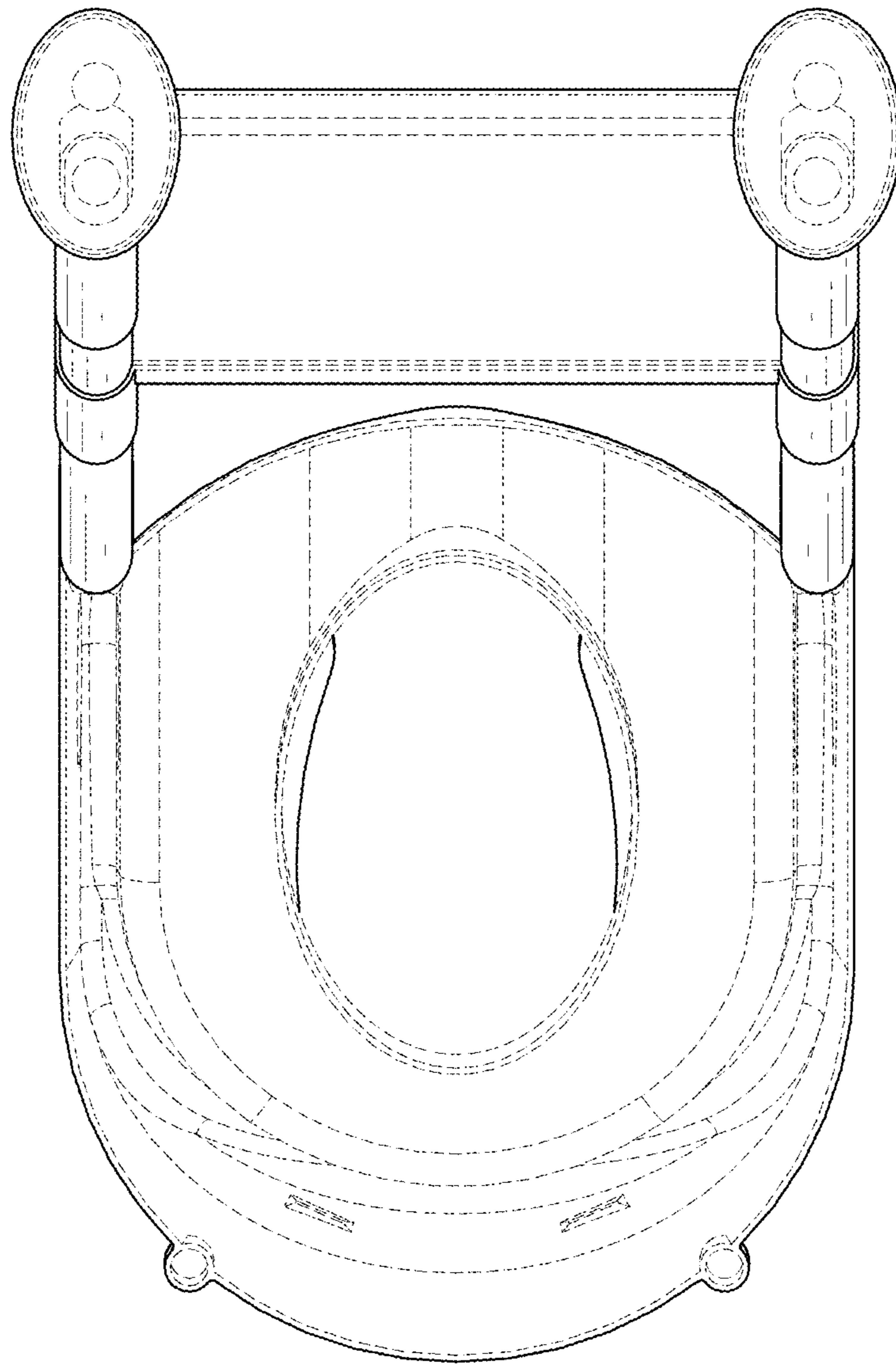


FIG. 5

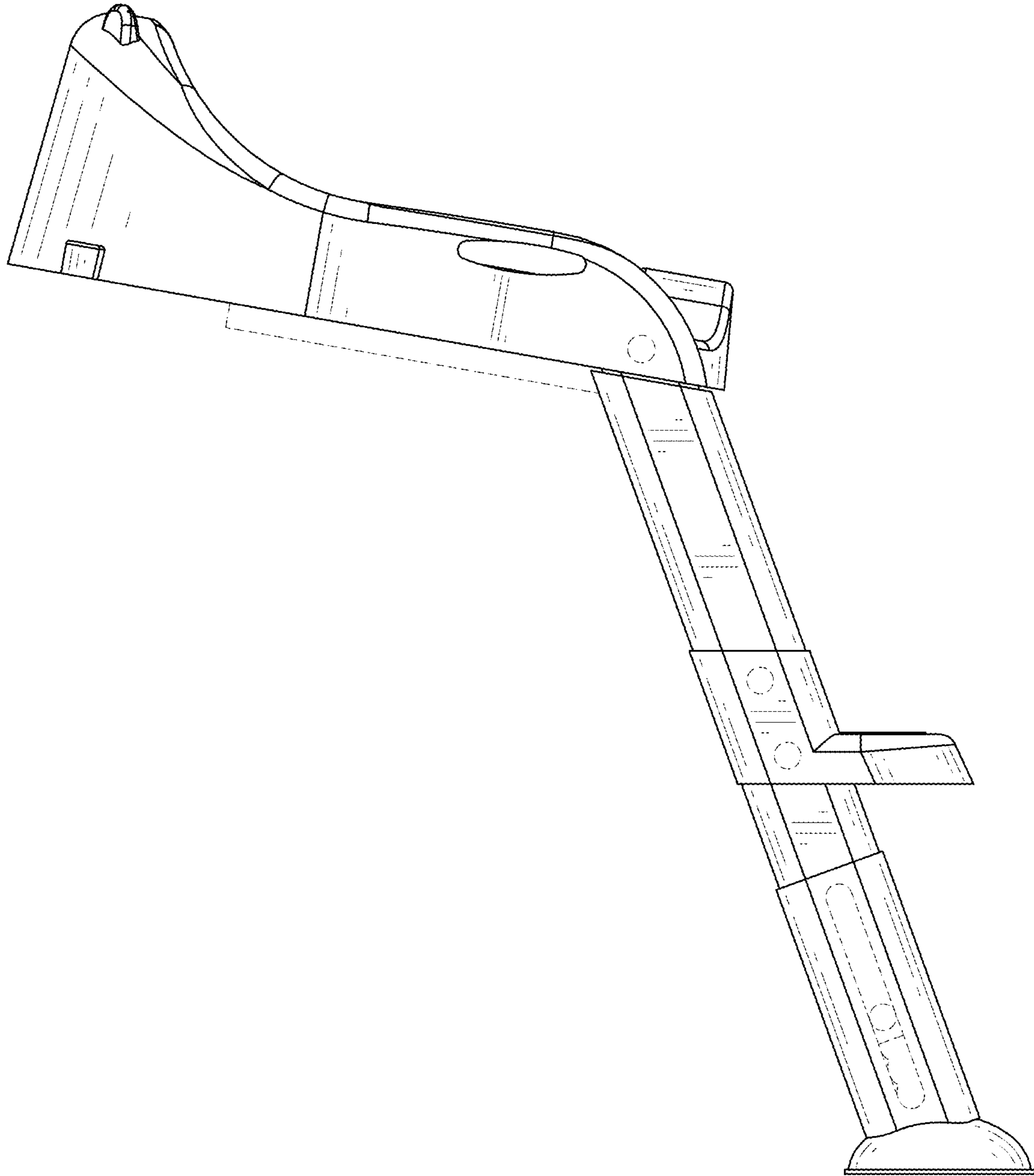


FIG. 6

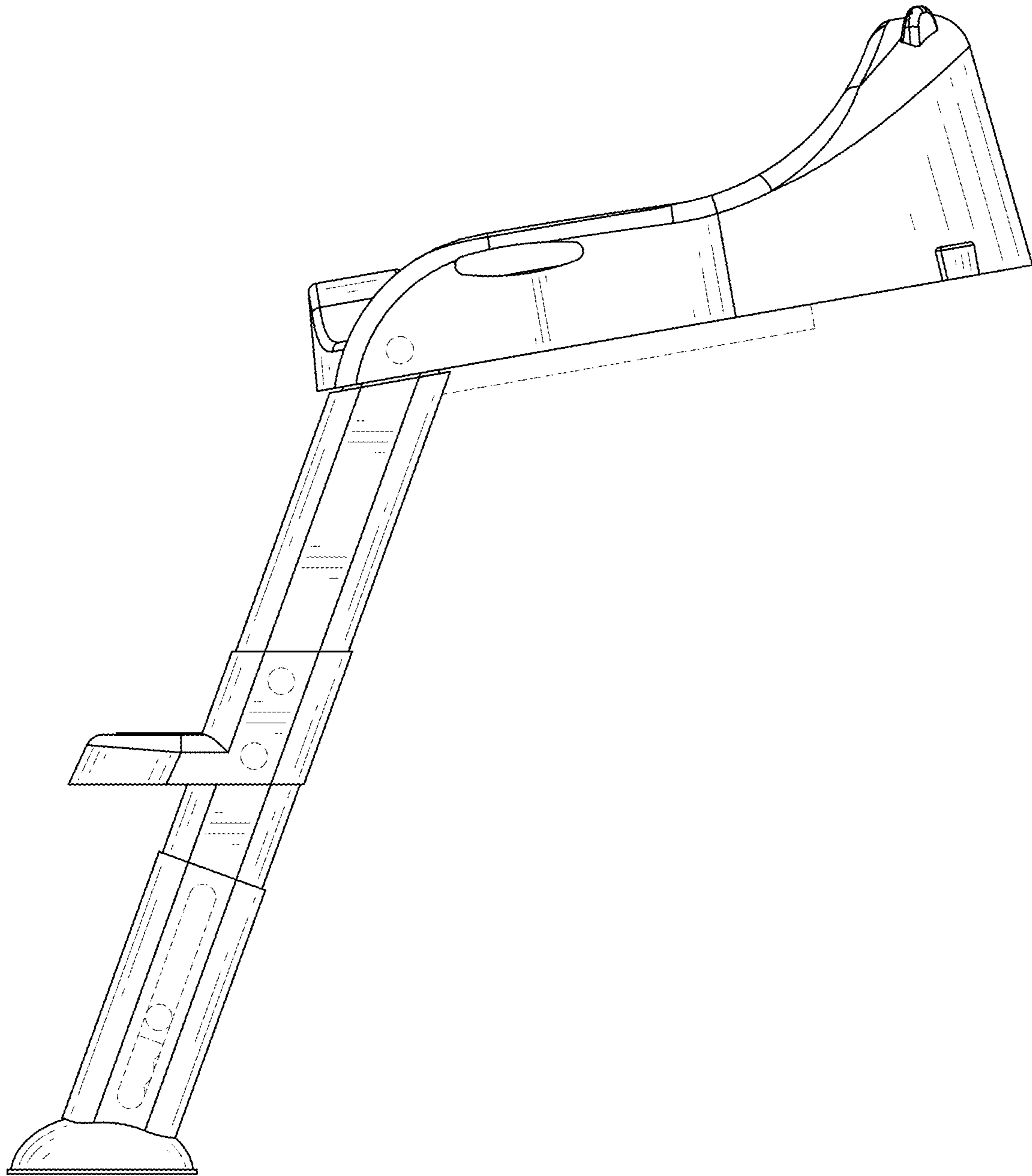


FIG. 7