



US00D879922S

(12) **United States Design Patent** (10) **Patent No.:** **US D879,922 S**  
**Taylor** (45) **Date of Patent:** **\*\* Mar. 31, 2020**

- (54) **LAVATORY**
- (71) Applicant: **Kohler Co.**, Kohler, WI (US)
- (72) Inventor: **Eden Taylor**, Milwaukee, WI (US)
- (73) Assignee: **KOHLER CO.**, Kohler, WI (US)
- (\*\*) Term: **15 Years**
- (21) Appl. No.: **29/719,712**
- (22) Filed: **Jan. 7, 2020**

- D752,726 S 3/2016 Clarke et al.
- D767,741 S 3/2016 Clarke et al.
- D814,613 S 4/2018 Taylor
- D861,143 S 9/2019 Taylor
- D863,516 S 10/2019 Stevenson

*Primary Examiner* — Robert A Delehanty  
(74) *Attorney, Agent, or Firm* — Foley & Lardner LLP

(57) **CLAIM**

I claim the ornamental design for a lavatory, as shown and described.

**Related U.S. Application Data**

- (62) Division of application No. 29/663,657, filed on Sep. 18, 2018.
- (51) **LOC (12) Cl.** ..... **23-02**
- (52) **U.S. Cl.**  
USPC ..... **D23/284**
- (58) **Field of Classification Search**  
USPC ..... D23/284, 293.1, 308, 285–292  
See application file for complete search history.

**DESCRIPTION**

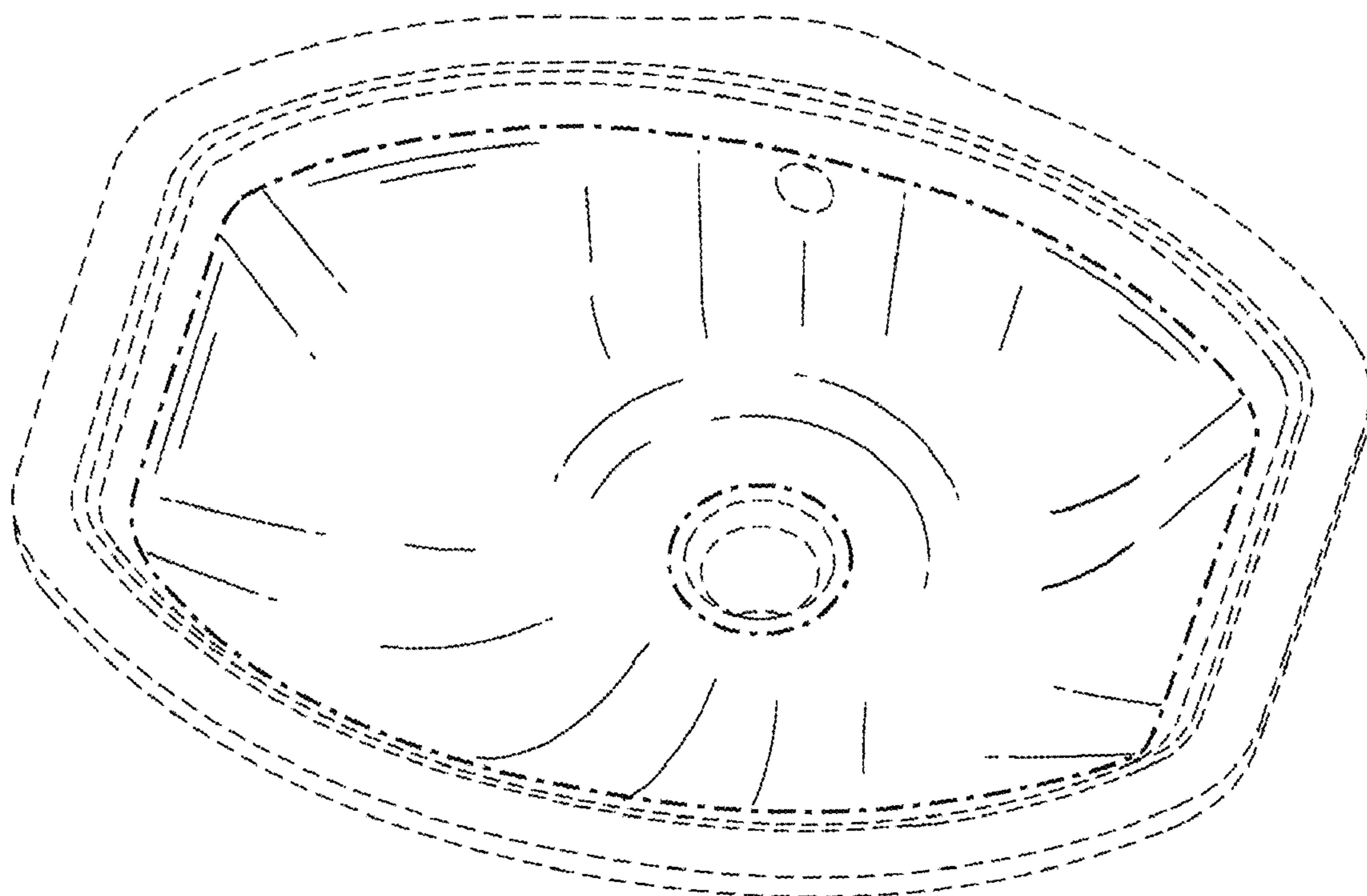
FIG. 1 is a perspective view of another embodiment of the claimed design;  
FIG. 2 is a top view of the embodiment of FIG. 1;  
FIG. 3 is a front view of the embodiment of FIG. 1;  
FIG. 4 is a rear view of the embodiment of FIG. 1;  
FIG. 5 is a side view of the embodiment of FIG. 1;  
FIG. 6 is another side view of the embodiment of FIG. 1;  
FIG. 7 is a bottom view of the embodiment of FIG. 1;  
FIG. 8 is a cross-sectional view taken along line 17-17 in FIG. 2; and,  
FIG. 9 is a cross-sectional view taken along line 18-18 in FIG. 2.

The ornamental design which is claimed is shown in solid lines in the drawings. The broken lines in the drawings are for illustrative purposes only and form no part of the claimed design. Broken lines formed of unequal length dashes (i.e., dash-dot) define bounds of the claimed design.

**1 Claim, 5 Drawing Sheets**

(56) **References Cited**  
U.S. PATENT DOCUMENTS

- D292,609 S 11/1987 Kolada
- D416,991 S 11/1999 Caplow
- D509,574 S 9/2005 Sutopo
- D509,887 S 9/2005 Sutopo
- D560,780 S 1/2008 Hanna
- D585,127 S 1/2009 Gomez et al.
- D588,242 S 3/2009 Hanna
- D687,529 S 8/2013 Stauffer
- D722,143 S 2/2015 Clarke et al.



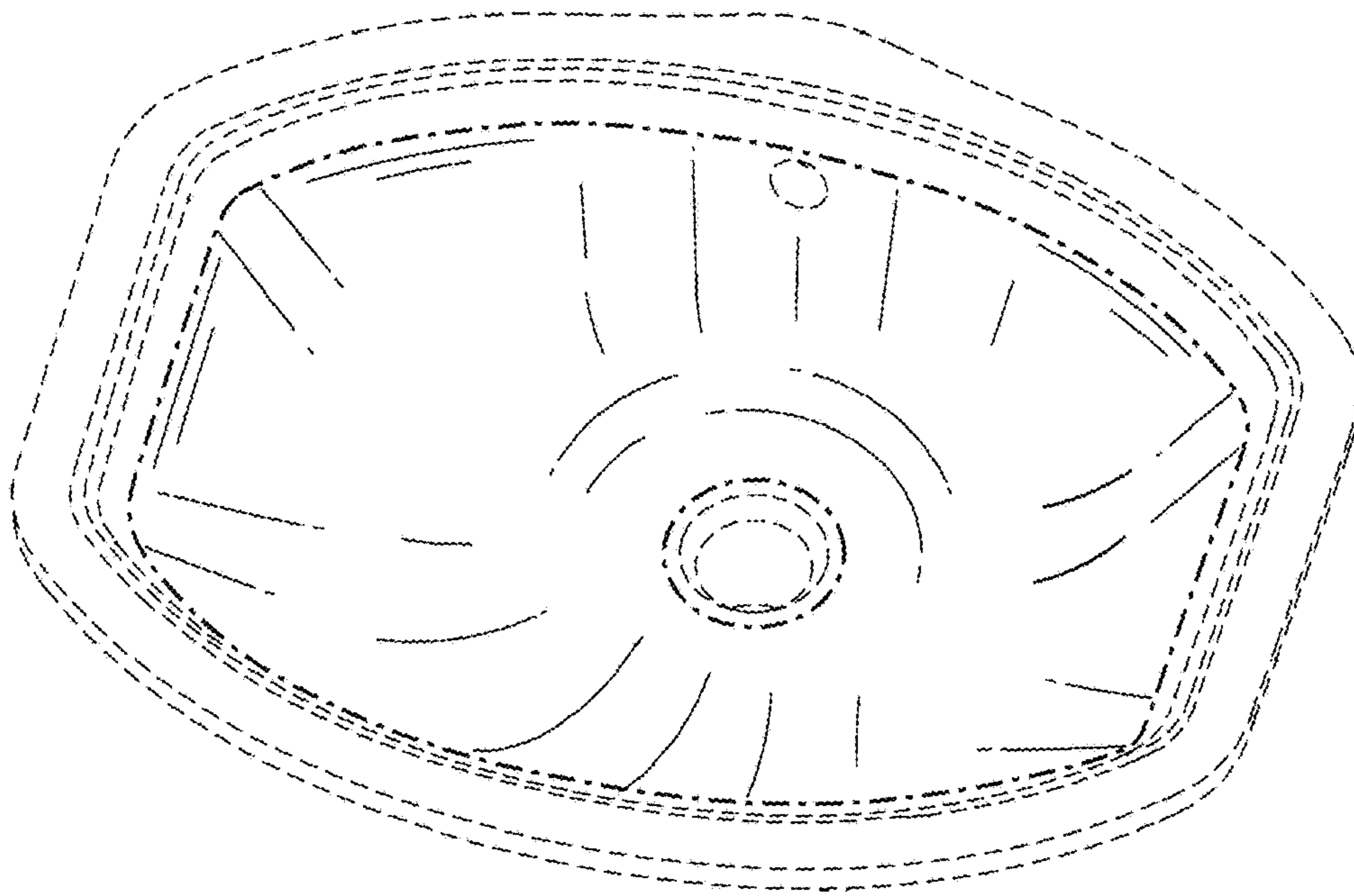


FIG. 1

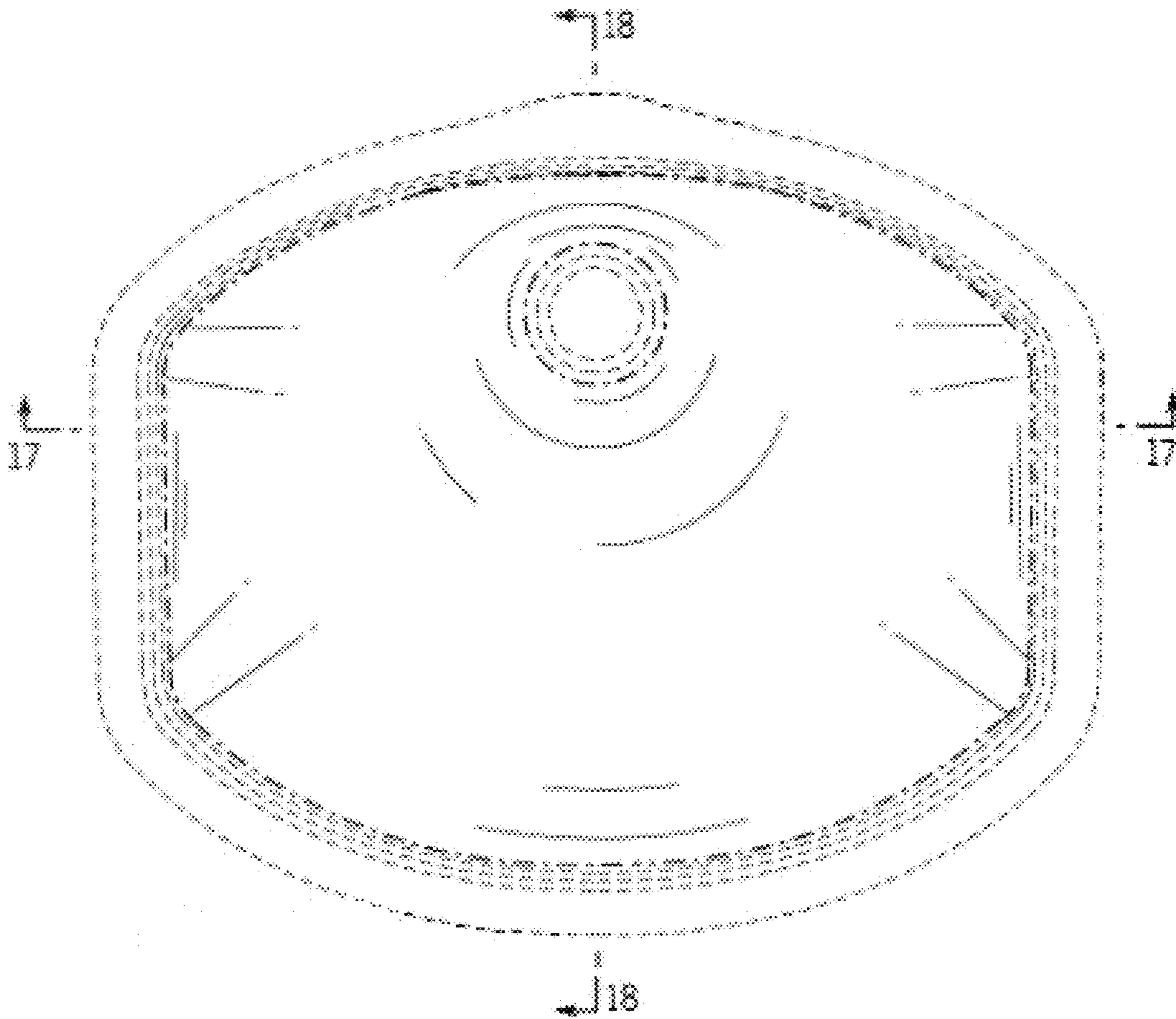


FIG. 2

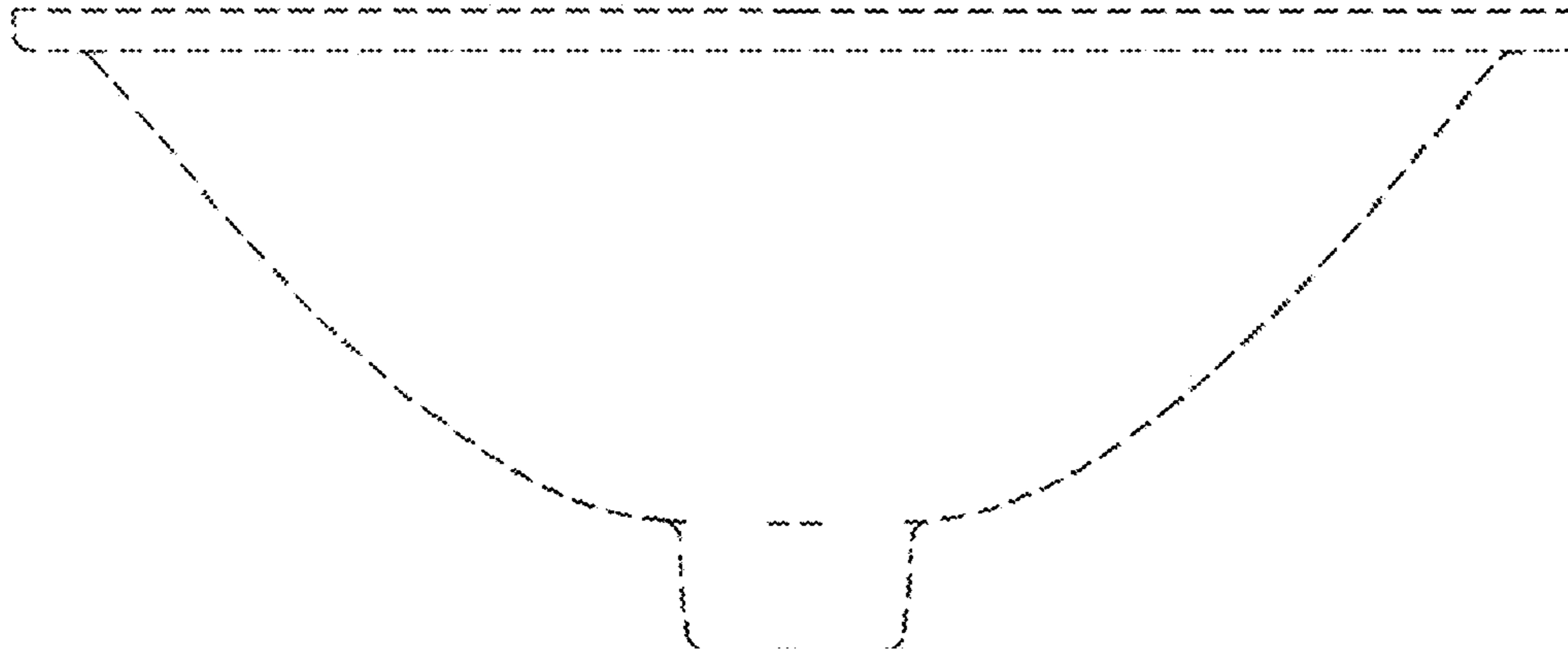


FIG. 3

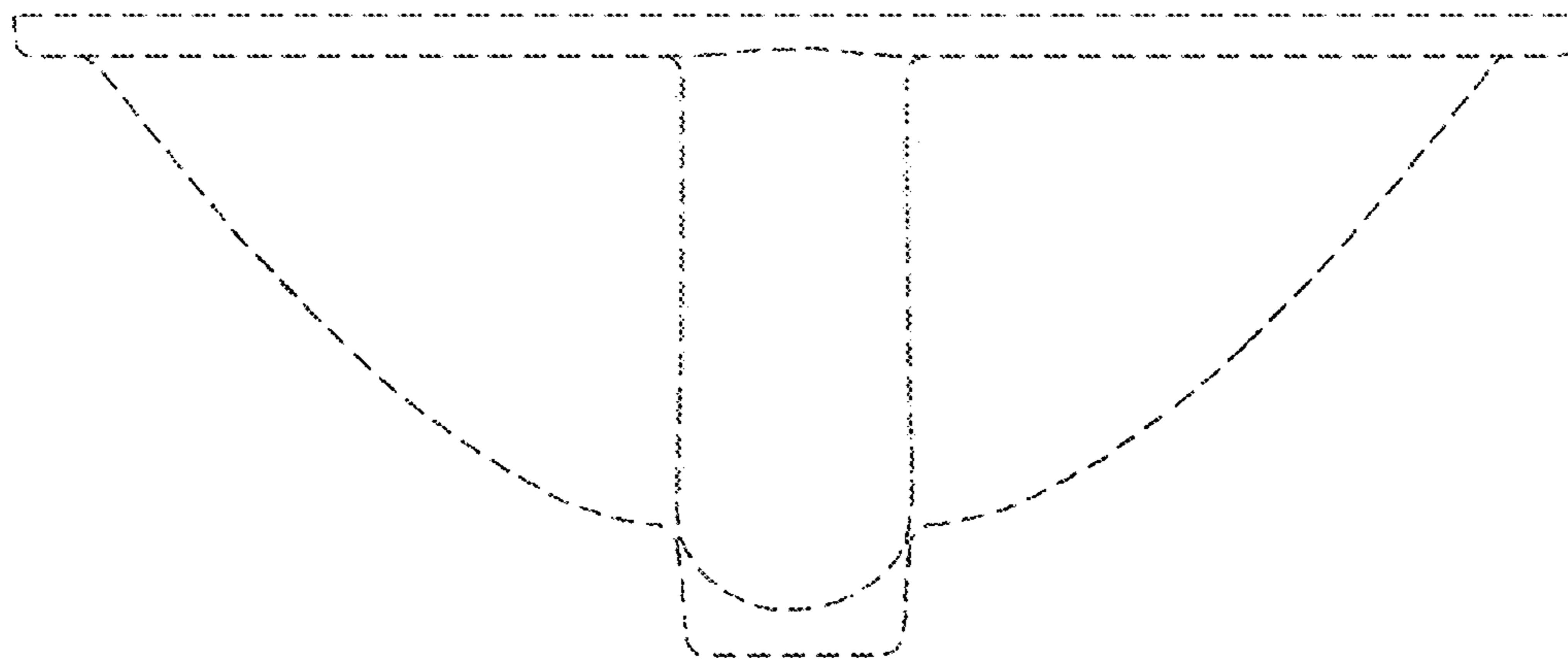


FIG. 4

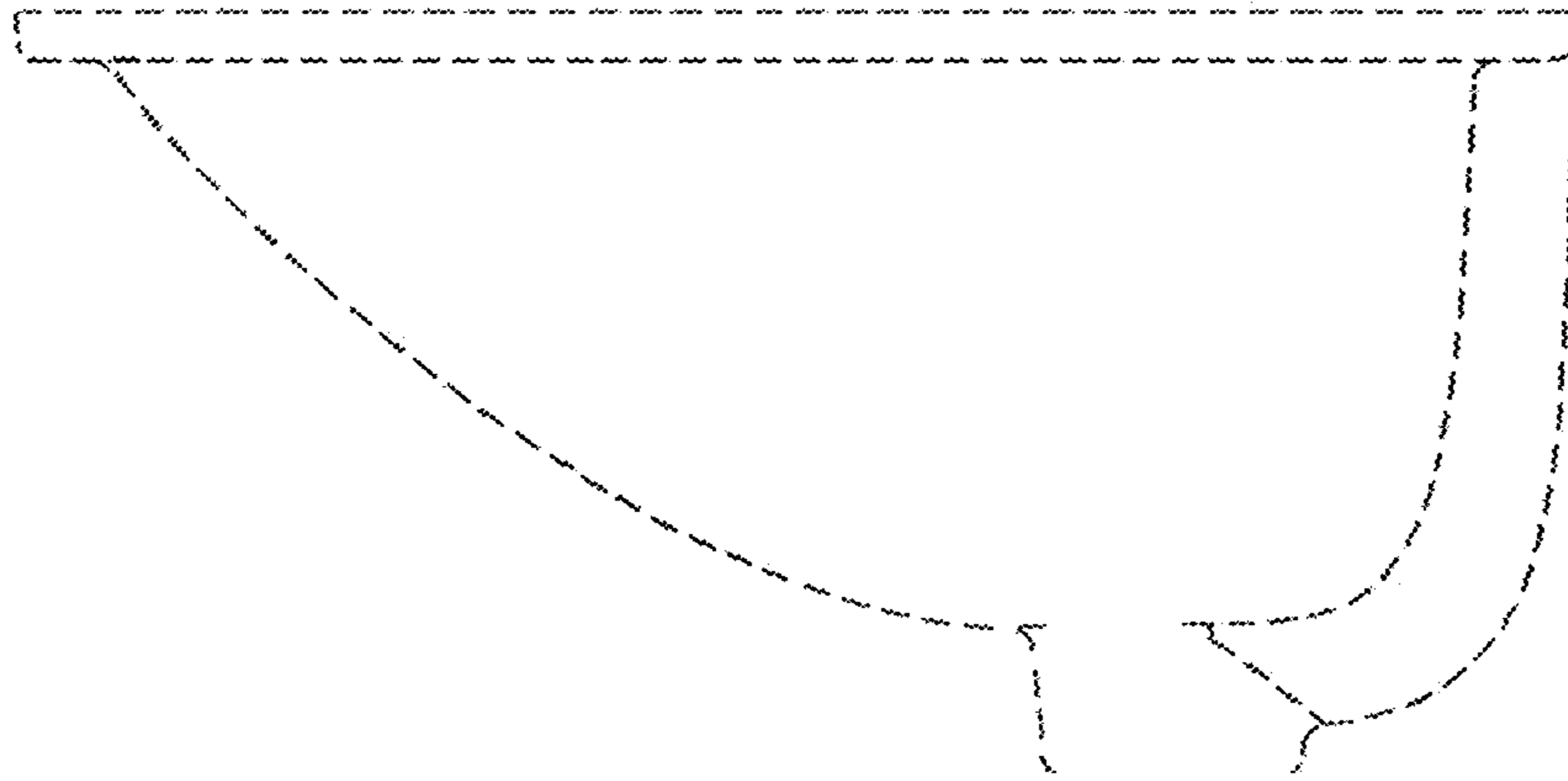


FIG. 5

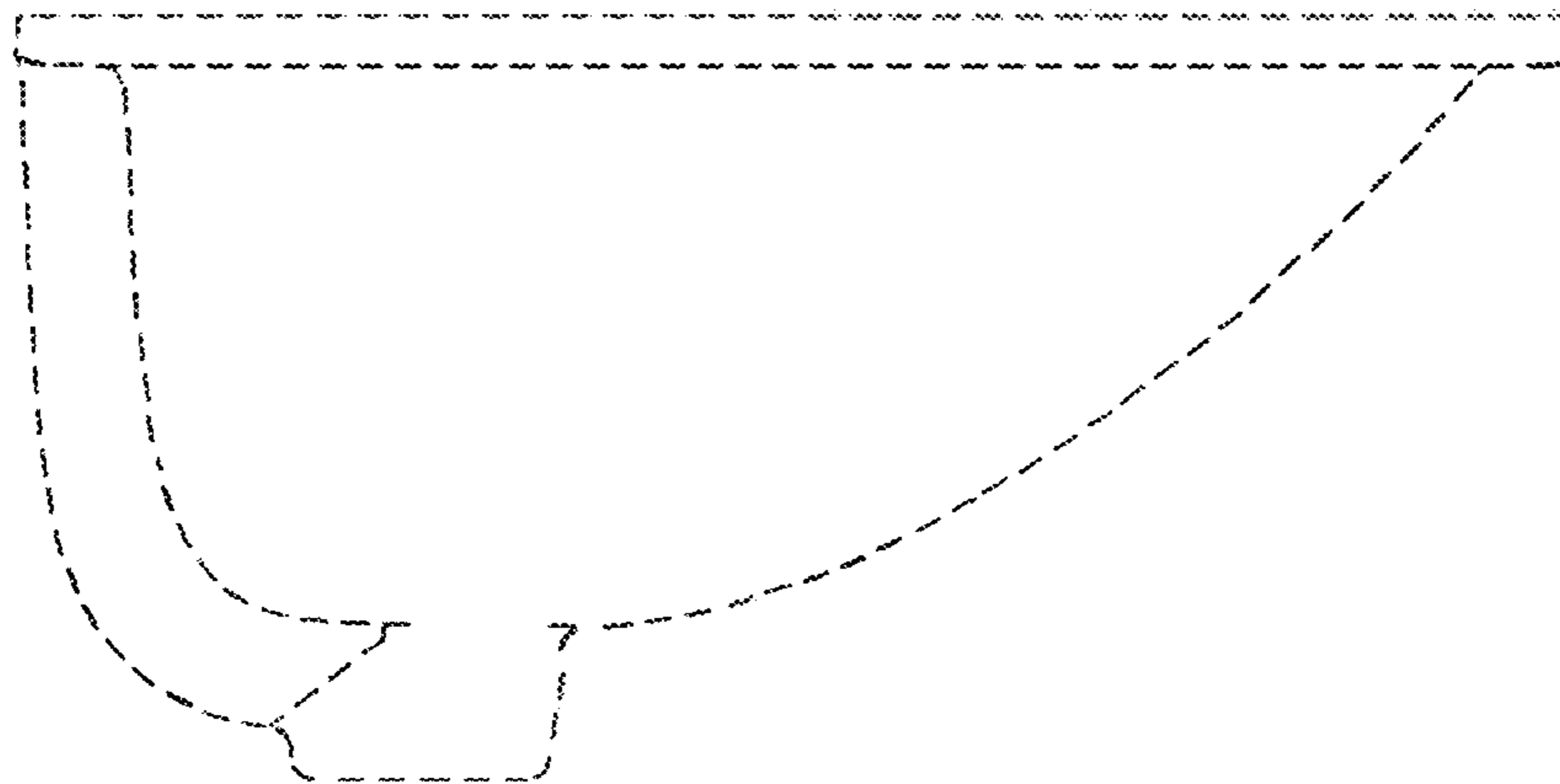


FIG. 6

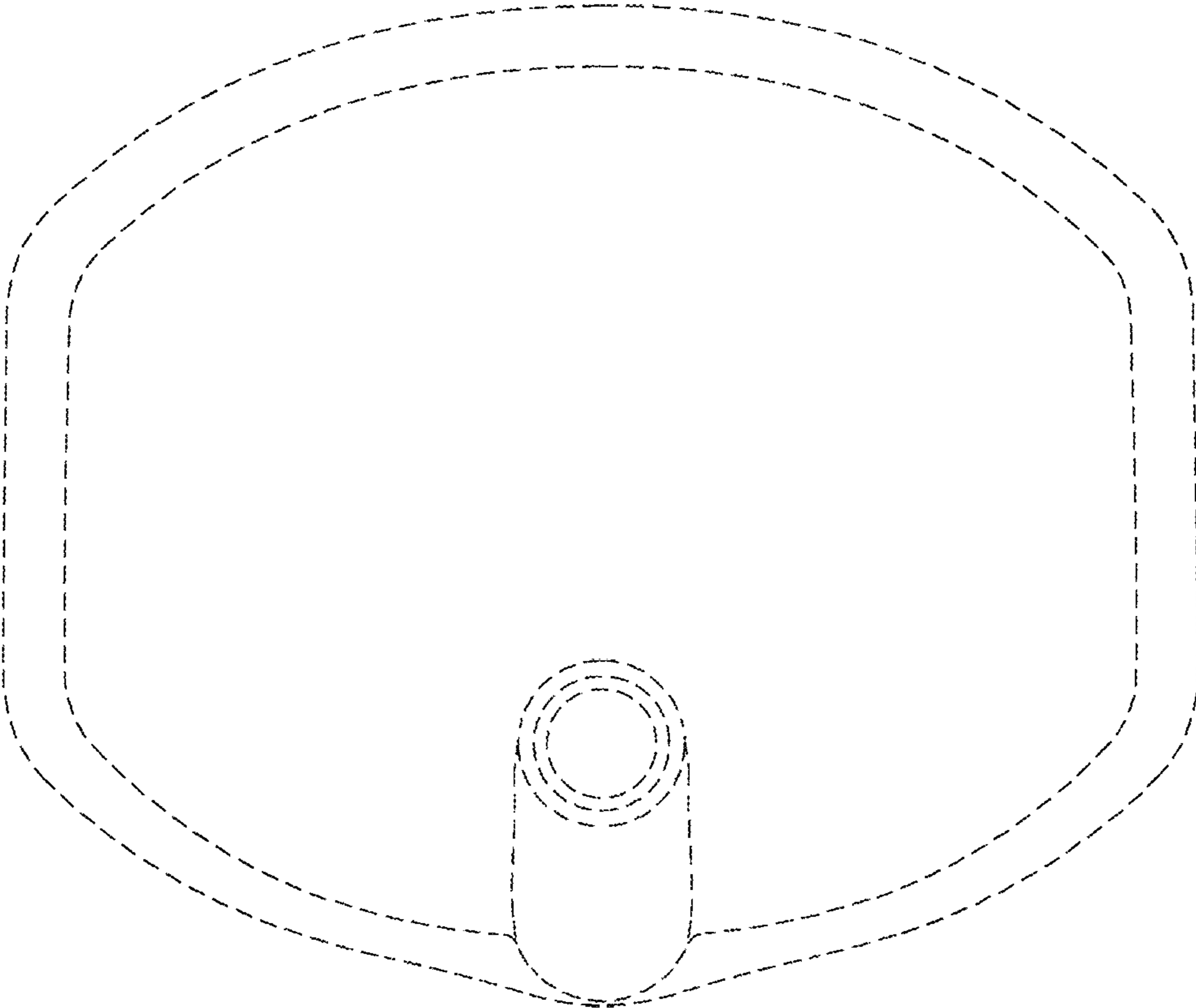


FIG. 7

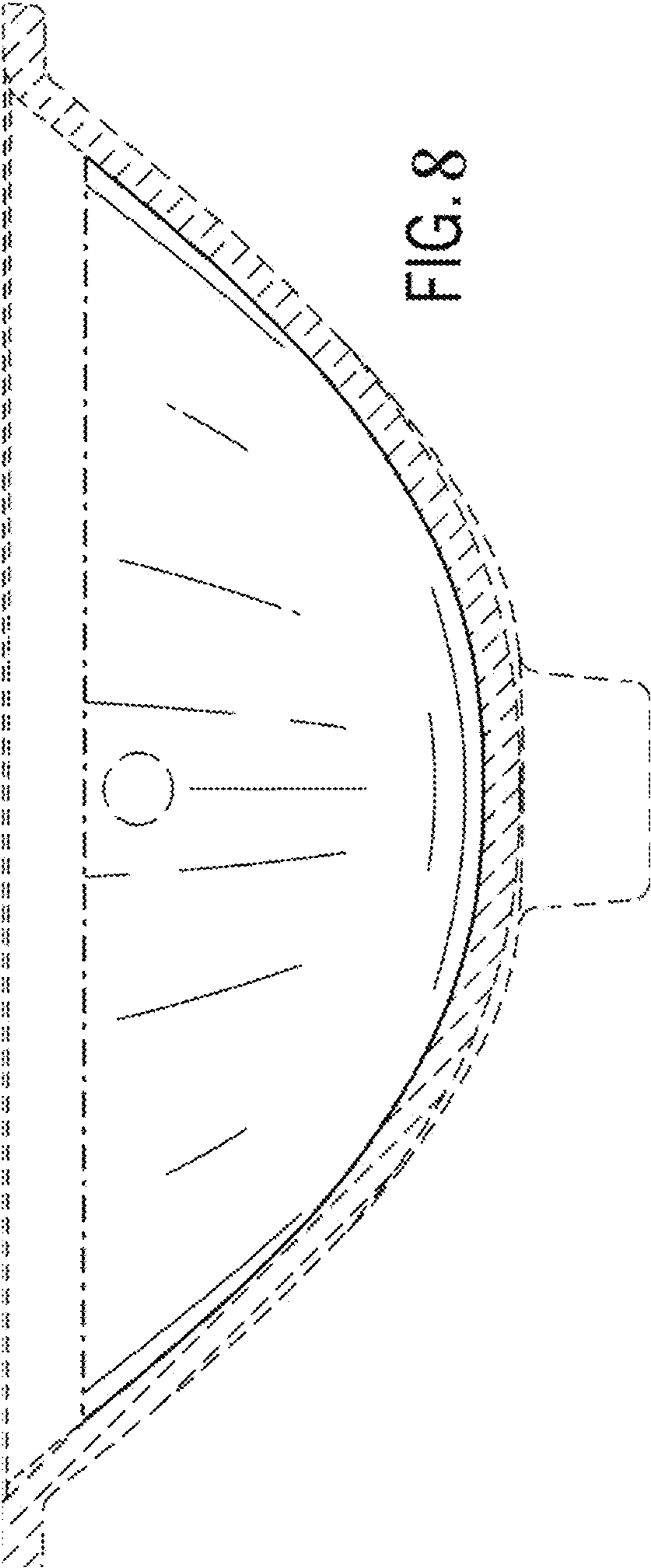


FIG. 8

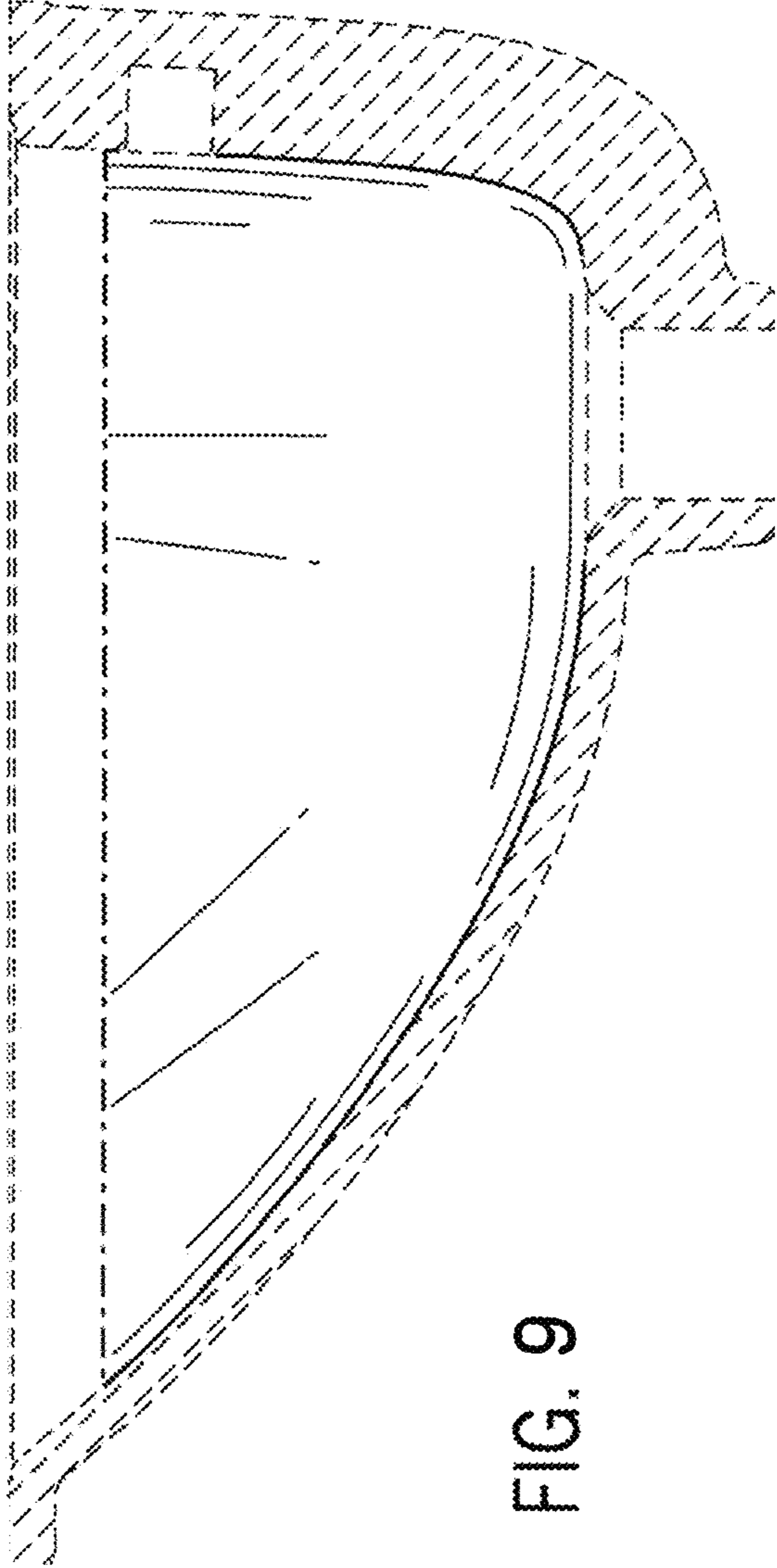


FIG. 9