



US00D879921S

(12) **United States Design Patent**
Taylor

(10) **Patent No.:** **US D879,921 S**

(45) **Date of Patent:** **** Mar. 31, 2020**

(54) **LAVATORY**

D814,613 S * 4/2018 Taylor D23/284
D861,143 S * 9/2019 Taylor D23/308
D863,516 S * 10/2019 Stevenson D23/308

(71) Applicant: **Kohler Co.**, Kohler, WI (US)

* cited by examiner

(72) Inventor: **Eden Taylor**, Milwaukee, WI (US)

Primary Examiner — Robert A Delehanty

(73) Assignee: **KOHLER CO.**, Kohler, WI (US)

(74) *Attorney, Agent, or Firm* — Foley & Lardner LLP

(**) Term: **15 Years**

(57) **CLAIM**

(21) Appl. No.: **29/663,657**

I claim the ornamental design for a lavatory, as shown and described.

(22) Filed: **Sep. 18, 2018**

DESCRIPTION

(51) **LOC (12) Cl.** **23-02**

(52) **U.S. Cl.**
USPC **D23/284**

(58) **Field of Classification Search**
USPC D23/284, 293.1, 308, 285–292
See application file for complete search history.

FIG. 1 is a perspective view of an embodiment of the claimed design;
FIG. 2 is a top view of the embodiment of FIG. 1;
FIG. 3 is a front view of the embodiment of FIG. 1;
FIG. 4 is a rear view of the embodiment of FIG. 1;
FIG. 5 is a side view of the embodiment of FIG. 1;
FIG. 6 is another side view of the embodiment of FIG. 1;
FIG. 7 is a bottom view of the embodiment of FIG. 1;
FIG. 8 is a cross-sectional view taken along line 8-8 in FIG. 2; and,
FIG. 9 is a cross-sectional view taken along line 9-9 in FIG. 2.

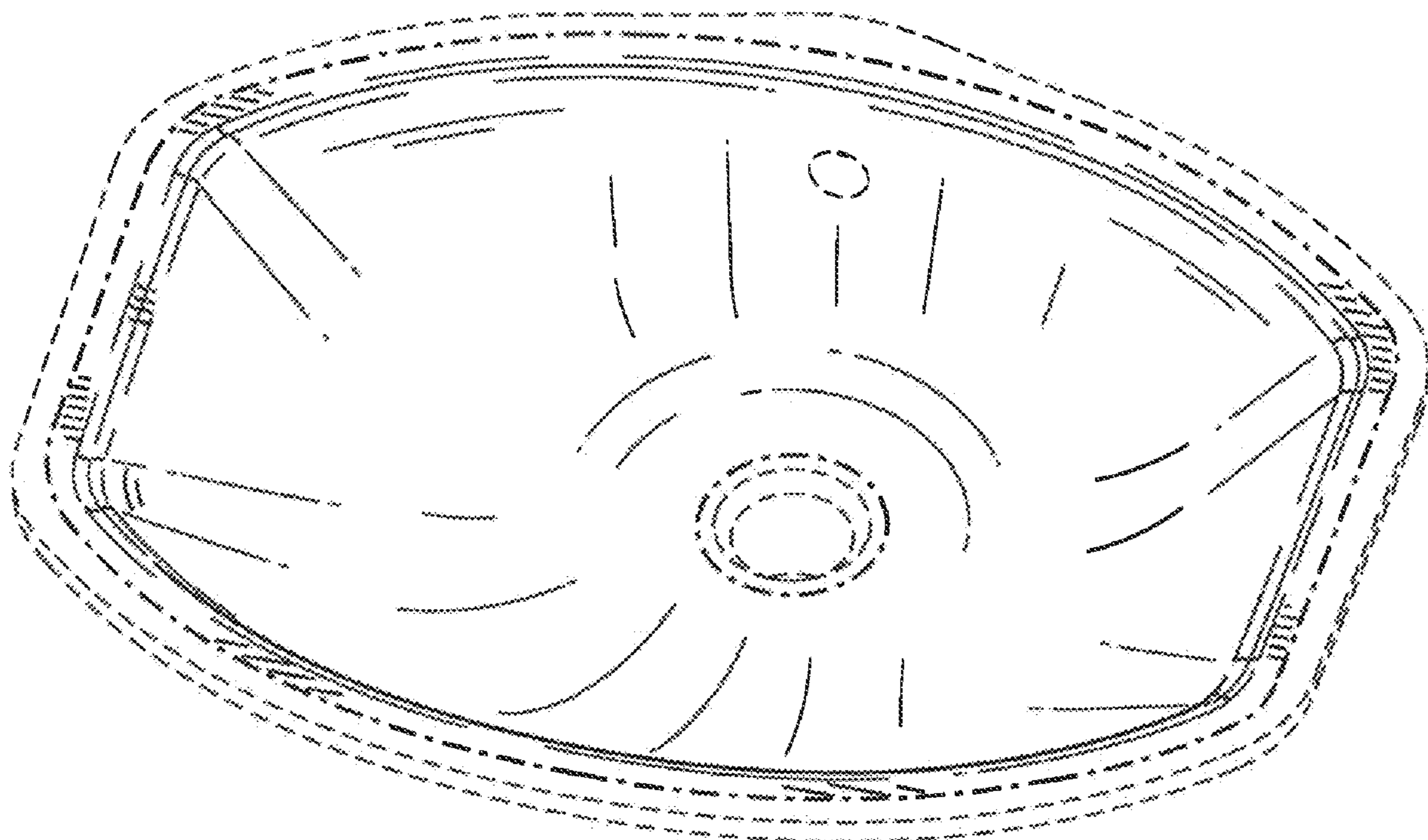
(56) **References Cited**

U.S. PATENT DOCUMENTS

D292,609 S	11/1987	Kolada	
D416,991 S	11/1999	Caplow	
D509,574 S	9/2005	Sutopo	
D509,887 S	9/2005	Sutopo	
D560,780 S	1/2008	Hanna	
D585,127 S	1/2009	Thalmann	
D588,242 S	3/2009	Hanna	
D687,529 S *	8/2013	Stauffer	D23/293.1
D722,143 S *	2/2015	Clarke	D23/293.1
D752,726 S	3/2016	Clarke et al.	
D767,741 S *	9/2016	Clarke	D23/293.1

The ornamental design which is claimed is shown in solid lines in the drawings. The broken lines in the drawings are for illustrative purposes only and form no part of the claimed design. Broken lines formed of unequal length dashes (i.e., dash-dot) define bounds of the claimed design.

1 Claim, 5 Drawing Sheets



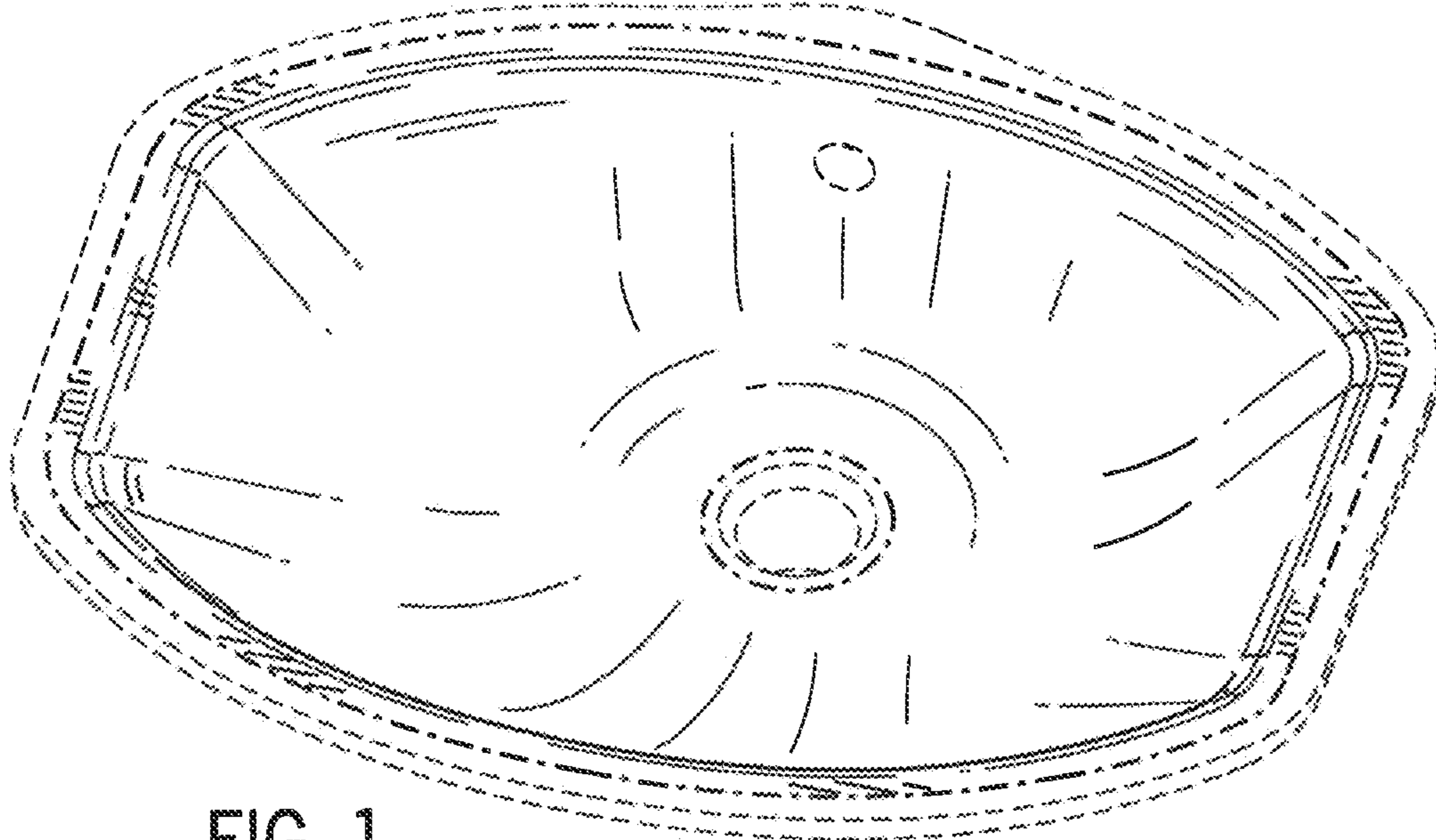


FIG. 1

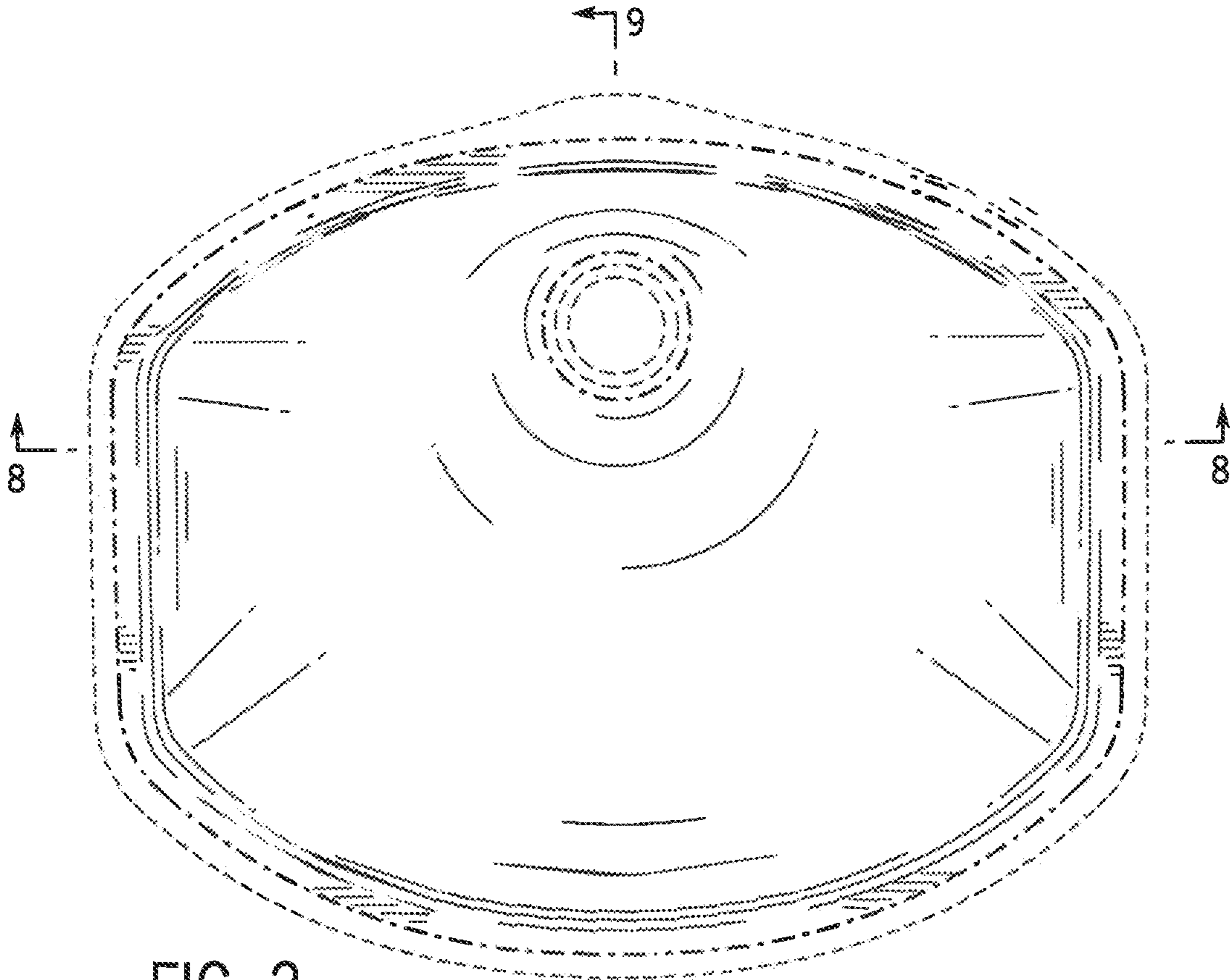


FIG. 2

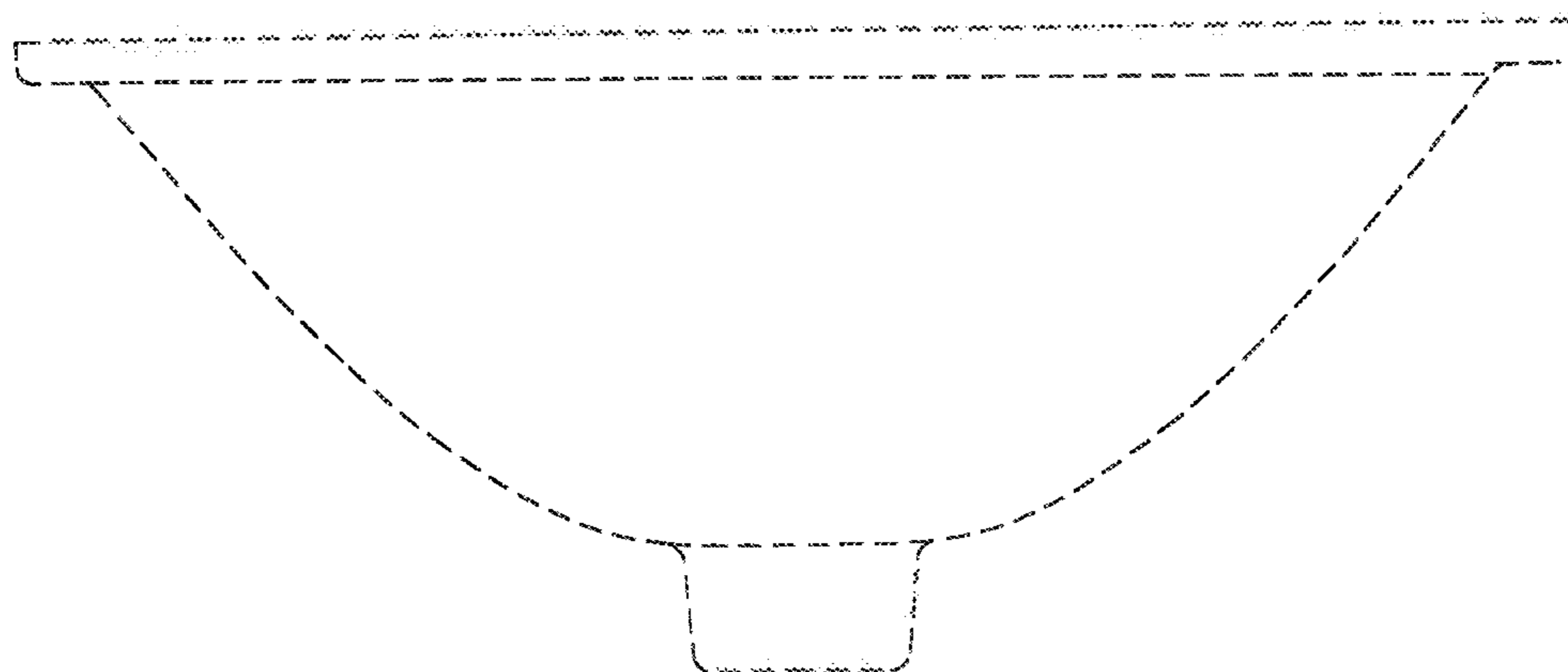


FIG. 3

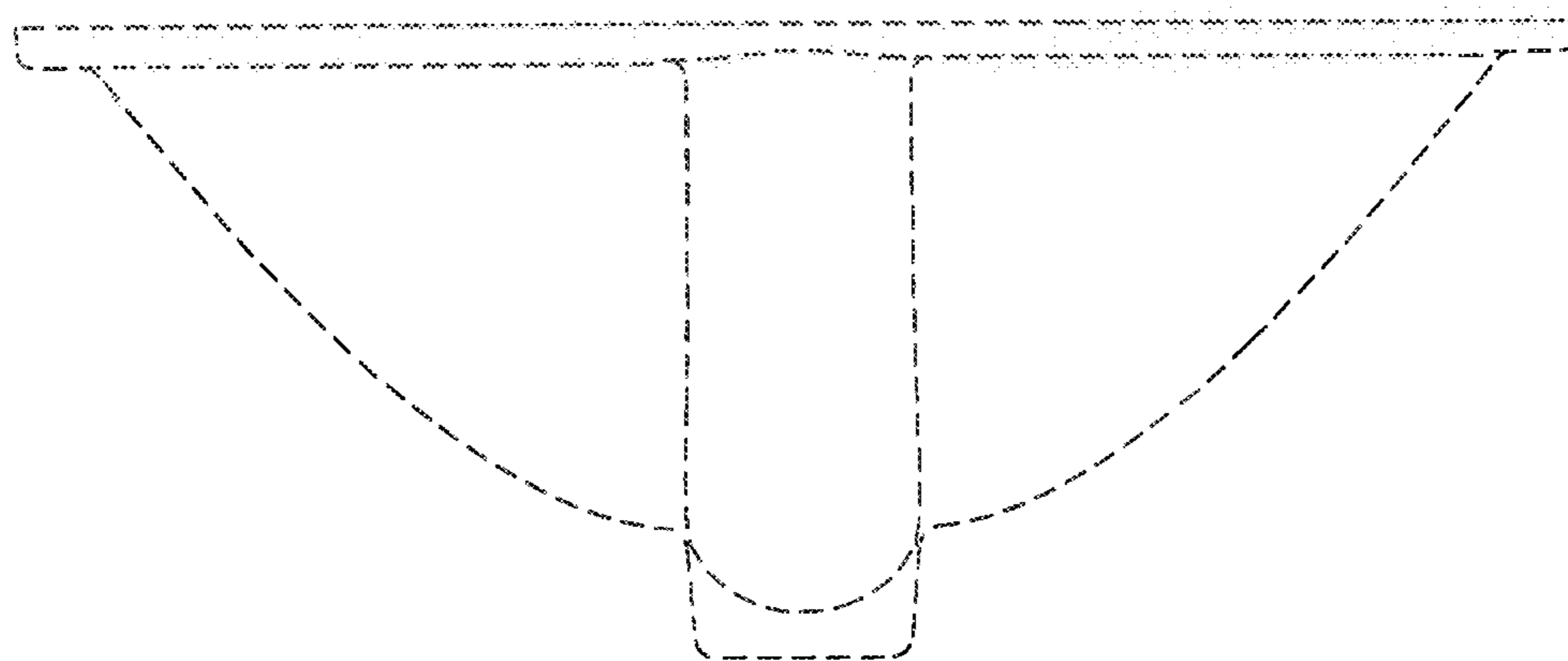


FIG. 4

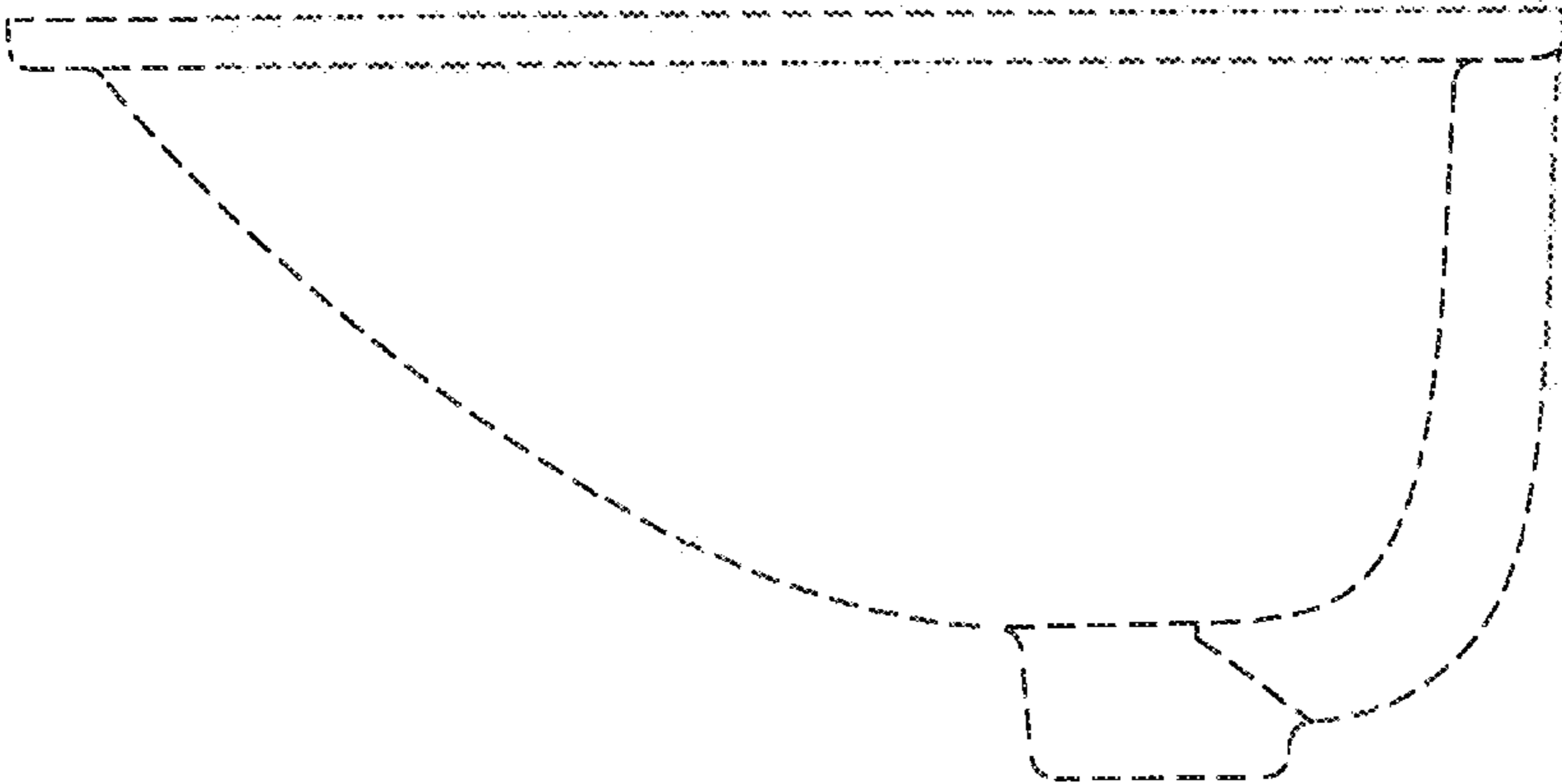


FIG. 5

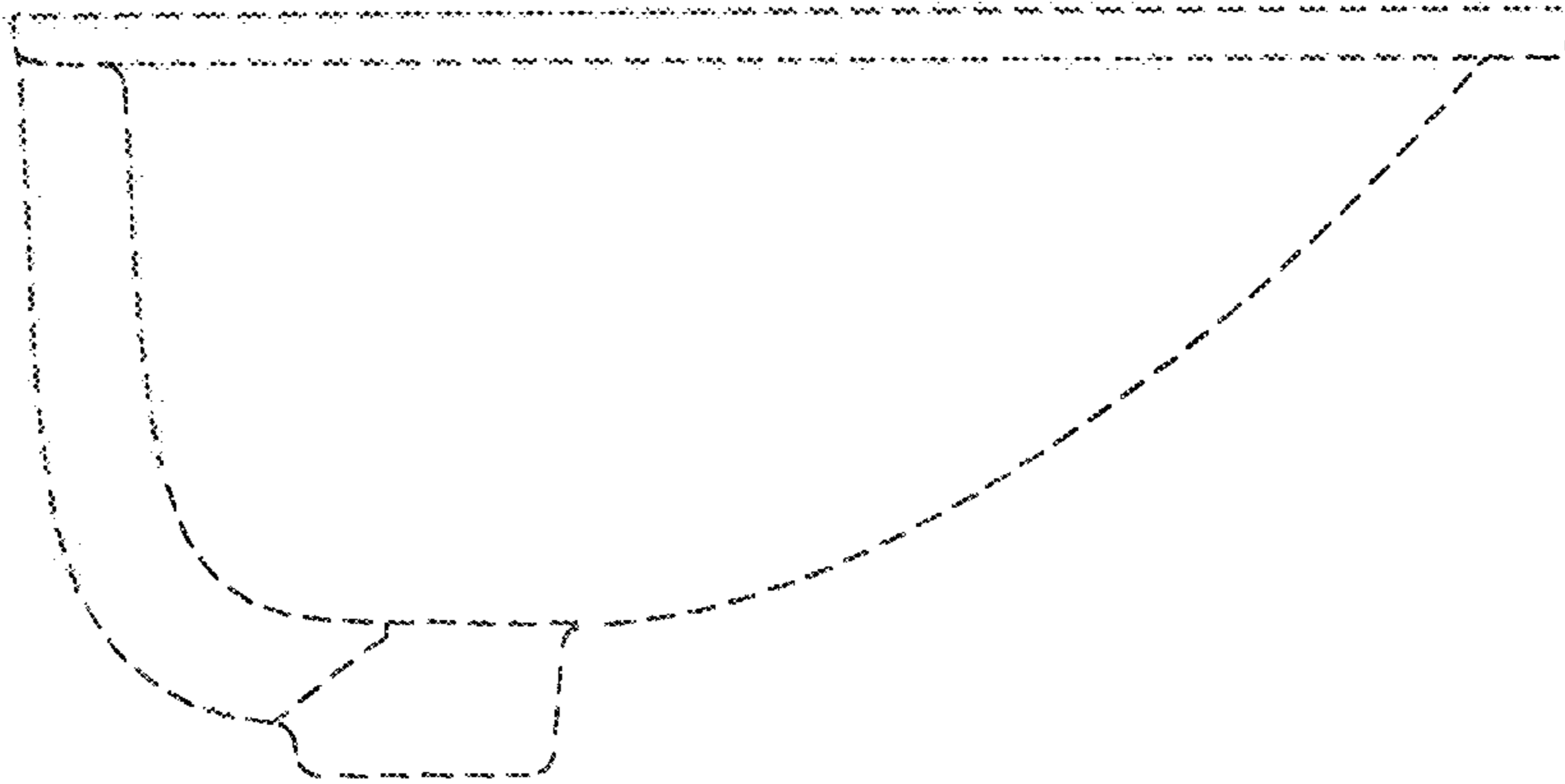


FIG. 6

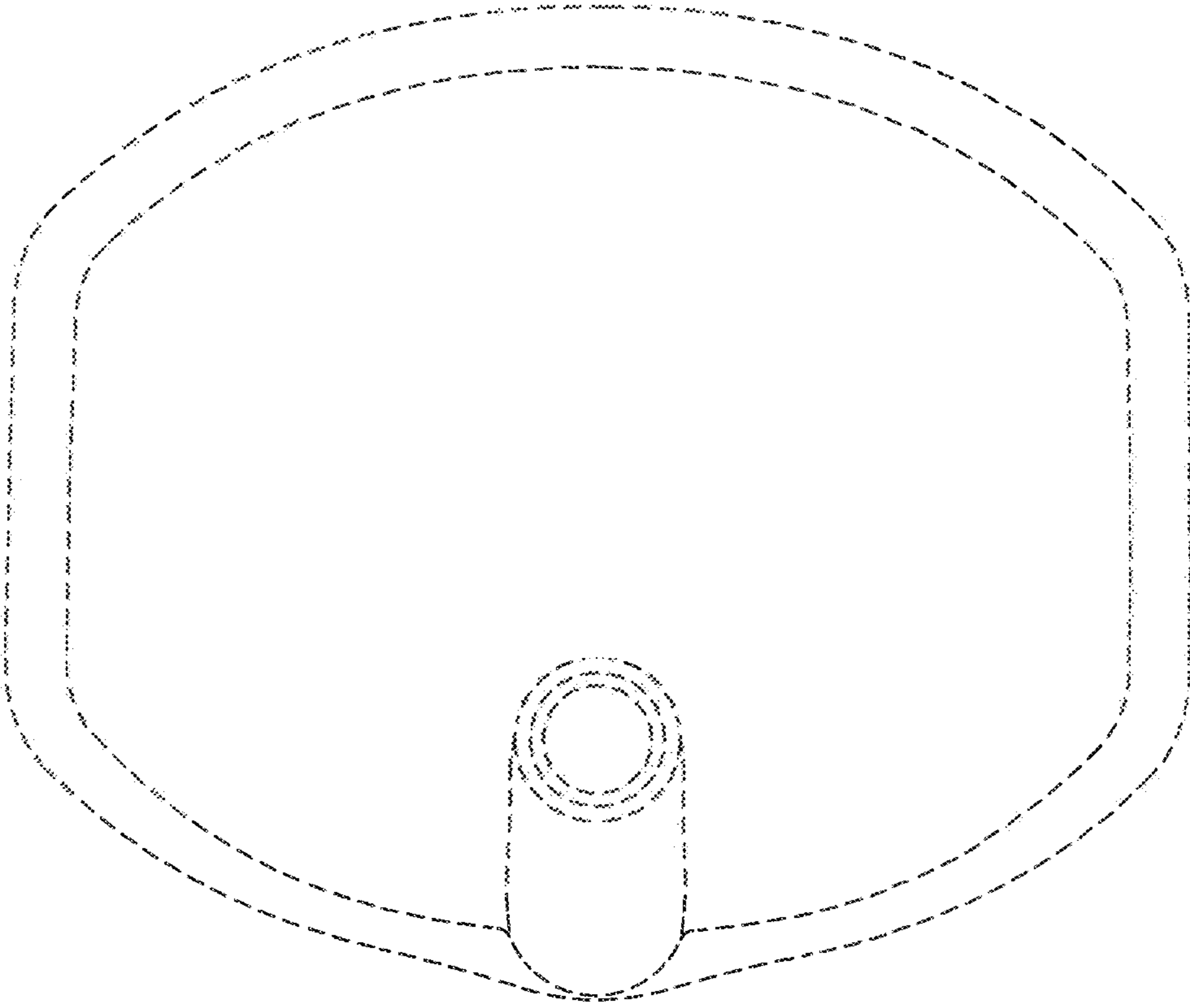


FIG. 7

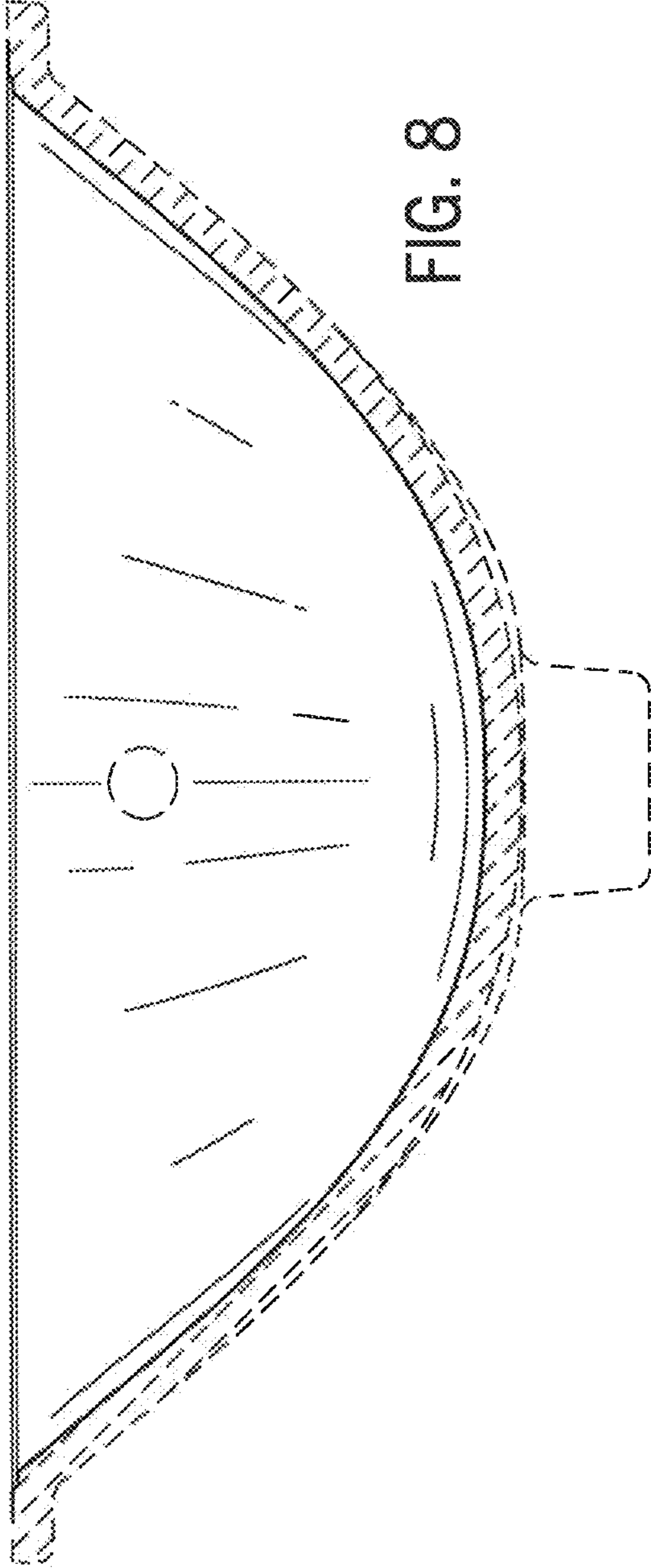


FIG. 8

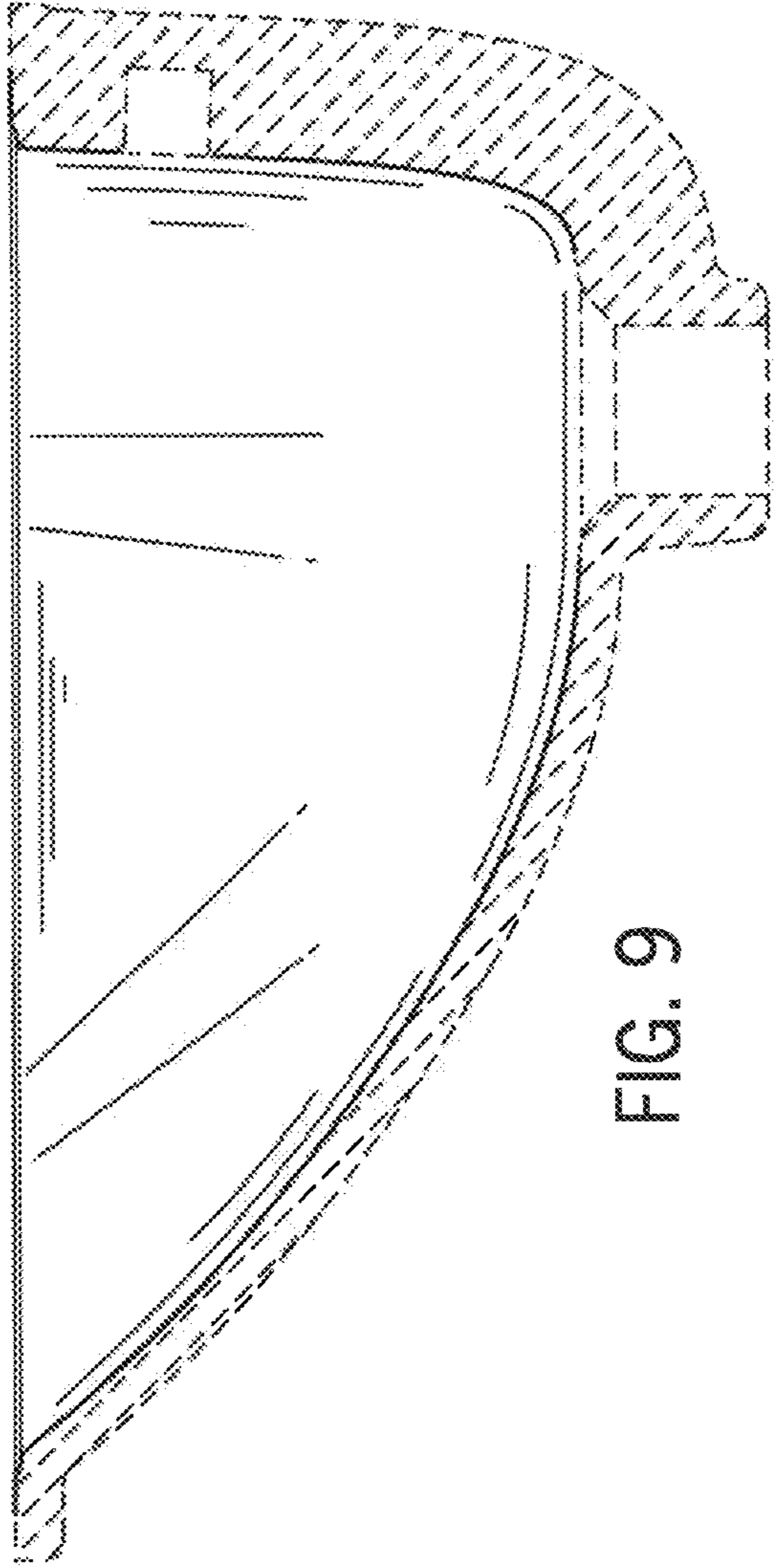


FIG. 9