



US00D879920S

(12) **United States Design Patent**  
**Huang**

(10) **Patent No.:** **US D879,920 S**  
(45) **Date of Patent:** **\*\* Mar. 31, 2020**

(54) **SINK COMBINATION**

(71) Applicant: **Anfeng Huang**, Rowland Heights, CA (US)

(72) Inventor: **Anfeng Huang**, Rowland Heights, CA (US)

(\*\*) Term: **15 Years**

(21) Appl. No.: **29/659,986**

(22) Filed: **Aug. 14, 2018**

**Related U.S. Application Data**

(63) Continuation-in-part of application No. 29/659,370, filed on Aug. 8, 2018, now Pat. No. Des. 871,703, and a continuation-in-part of application No. 29/659,460, filed on Aug. 9, 2018, now Pat. No. Des. 867,555.

(51) **LOC (12) Cl.** ..... **23-02**

(52) **U.S. Cl.**  
USPC ..... **D23/284**

(58) **Field of Classification Search**  
USPC ..... D23/284, 293.1, 308, 261; D7/698;  
D32/55-56

See application file for complete search history.

(56) **References Cited**

**U.S. PATENT DOCUMENTS**

- 3,982,289 A \* 9/1976 Robbins ..... E03C 1/264  
4/292
- D353,652 S \* 12/1994 Dannenberg ..... D23/290
- D632,373 S \* 2/2011 Kehrer ..... D23/293.1
- D646,450 S \* 10/2011 Yang ..... D32/55
- D700,300 S \* 2/2014 Rachiele ..... D23/284
- D793,184 S \* 8/2017 Lammel ..... D7/698

(Continued)

*Primary Examiner* — Robert A Delehanty

(74) *Attorney, Agent, or Firm* — Kelley Drye & Warren LLP

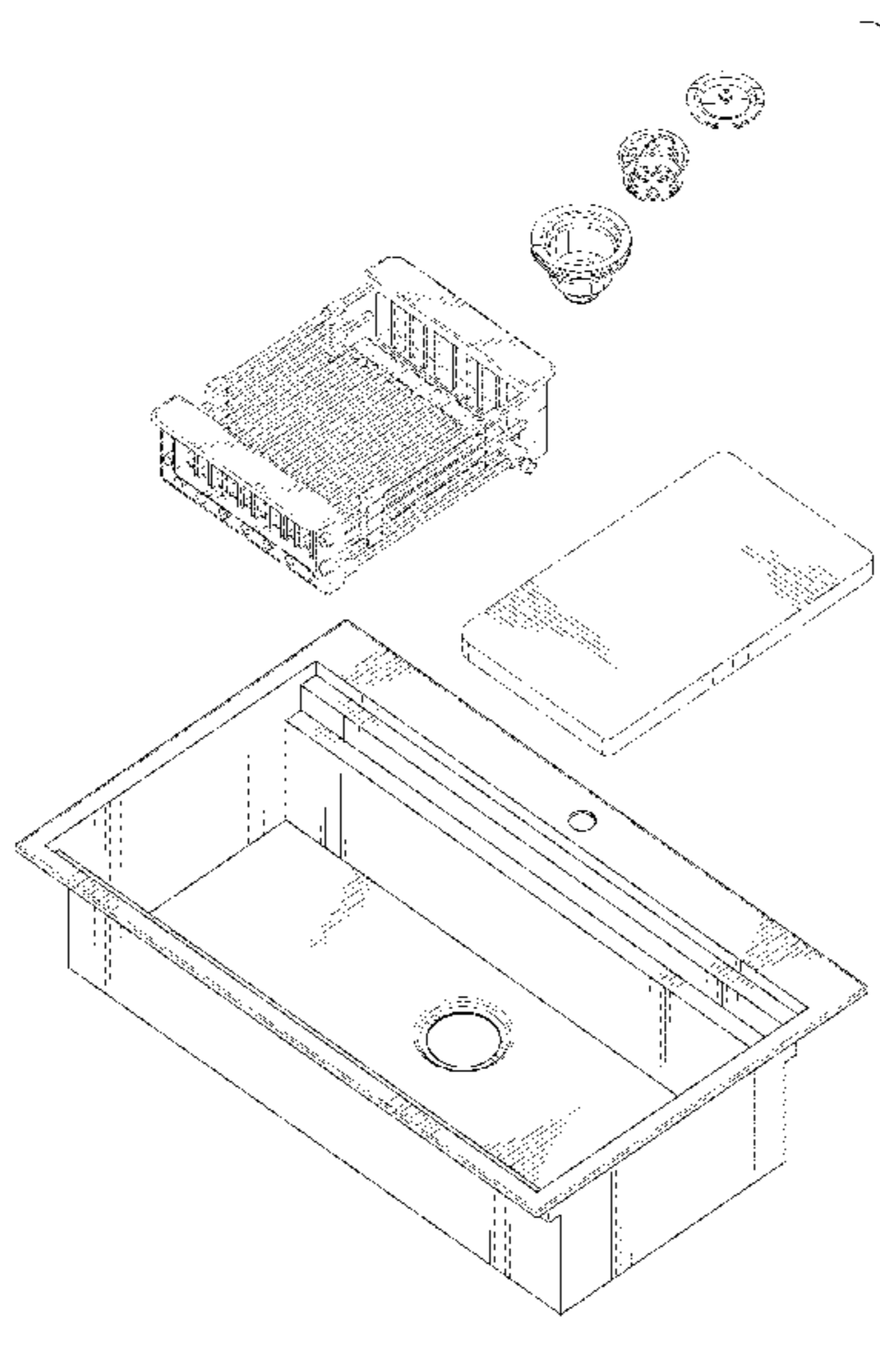
(57) **CLAIM**

The ornamental design for a sink combination, as shown and described.

**DESCRIPTION**

FIG. 1 is an exploded front perspective view of a first embodiment of a sink combination;  
 FIG. 2 is an exploded front view of the first embodiment of a sink combination;  
 FIG. 3 is an exploded back view of the first embodiment of a sink combination;  
 FIG. 4 is an exploded left side view of the first embodiment of a sink combination;  
 FIG. 5 is an exploded right side view of the first embodiment of a sink combination;  
 FIG. 6 is an exploded top view of the first embodiment of a sink combination;  
 FIG. 7 is an exploded bottom view of the first embodiment of a sink combination;  
 FIG. 8 is a combined in-use view of the first embodiment of a sink combination;  
 FIG. 9 is an exploded front perspective view of a second embodiment of a sink combination;  
 FIG. 10 is an exploded front view of the second embodiment of a sink combination;  
 FIG. 11 is an exploded back view of the second embodiment of a sink combination;  
 FIG. 12 is an exploded left side view of the second embodiment of a sink combination;  
 FIG. 13 is an exploded right side view of the second embodiment of a sink combination;  
 FIG. 14 is an exploded top view of the second embodiment of a sink combination;  
 FIG. 15 is an exploded bottom view of the second embodiment of a sink combination; and,  
 FIG. 16 is a combined in-use view of the second embodiment of a sink combination.

**1 Claim, 16 Drawing Sheets**



(56)

**References Cited**

U.S. PATENT DOCUMENTS

D796,646 S *	9/2017	Schoenherr	.....	D23/284
D819,289 S *	5/2018	Umholtz	.....	D32/55
D845,451 S *	4/2019	Swilley	.....	D23/308
D854,130 S *	7/2019	Chen	.....	D23/293.1
2014/0053328 A1 *	2/2014	Chen	.....	E03C 1/262 4/287

\* cited by examiner

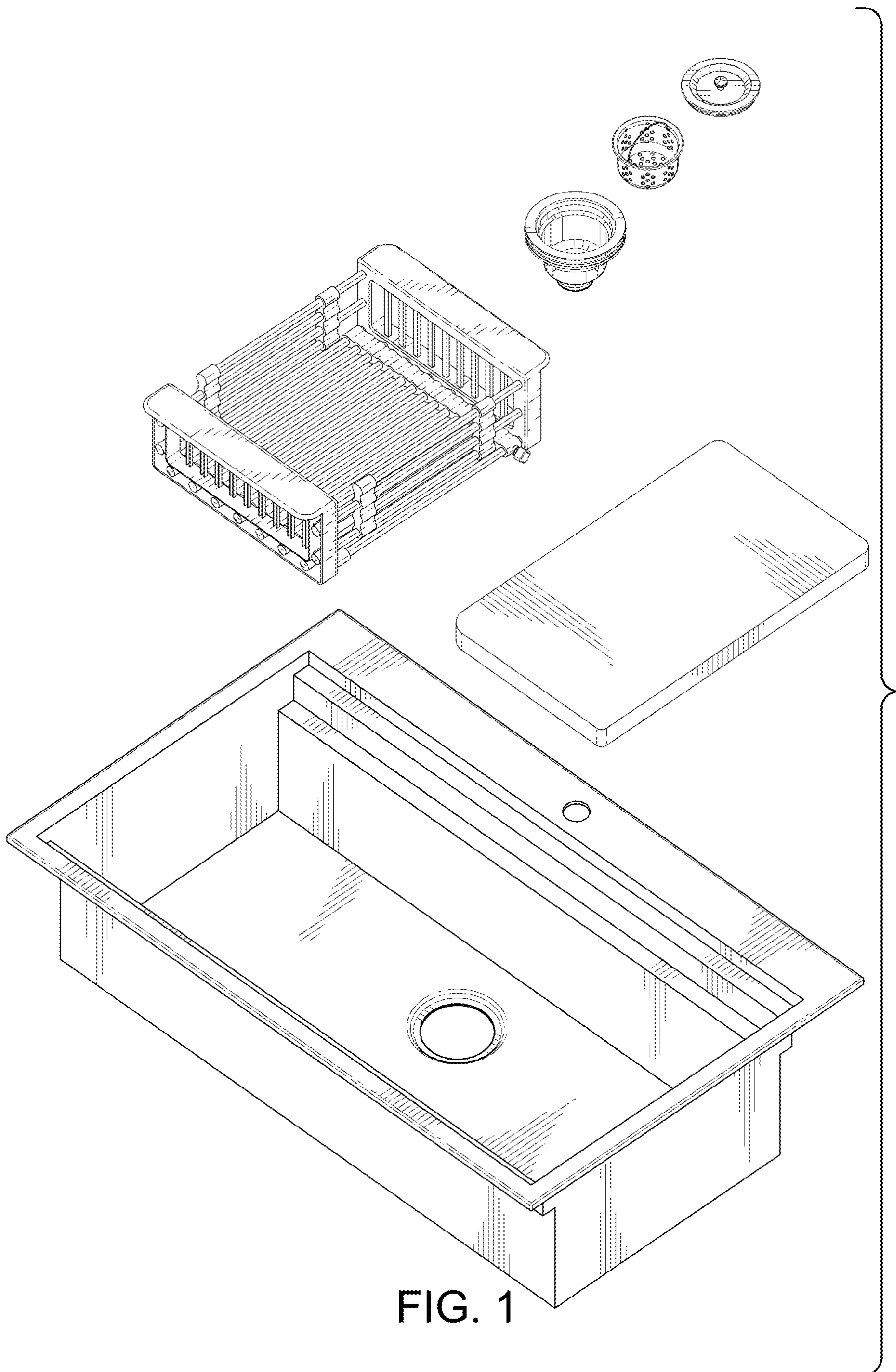


FIG. 1

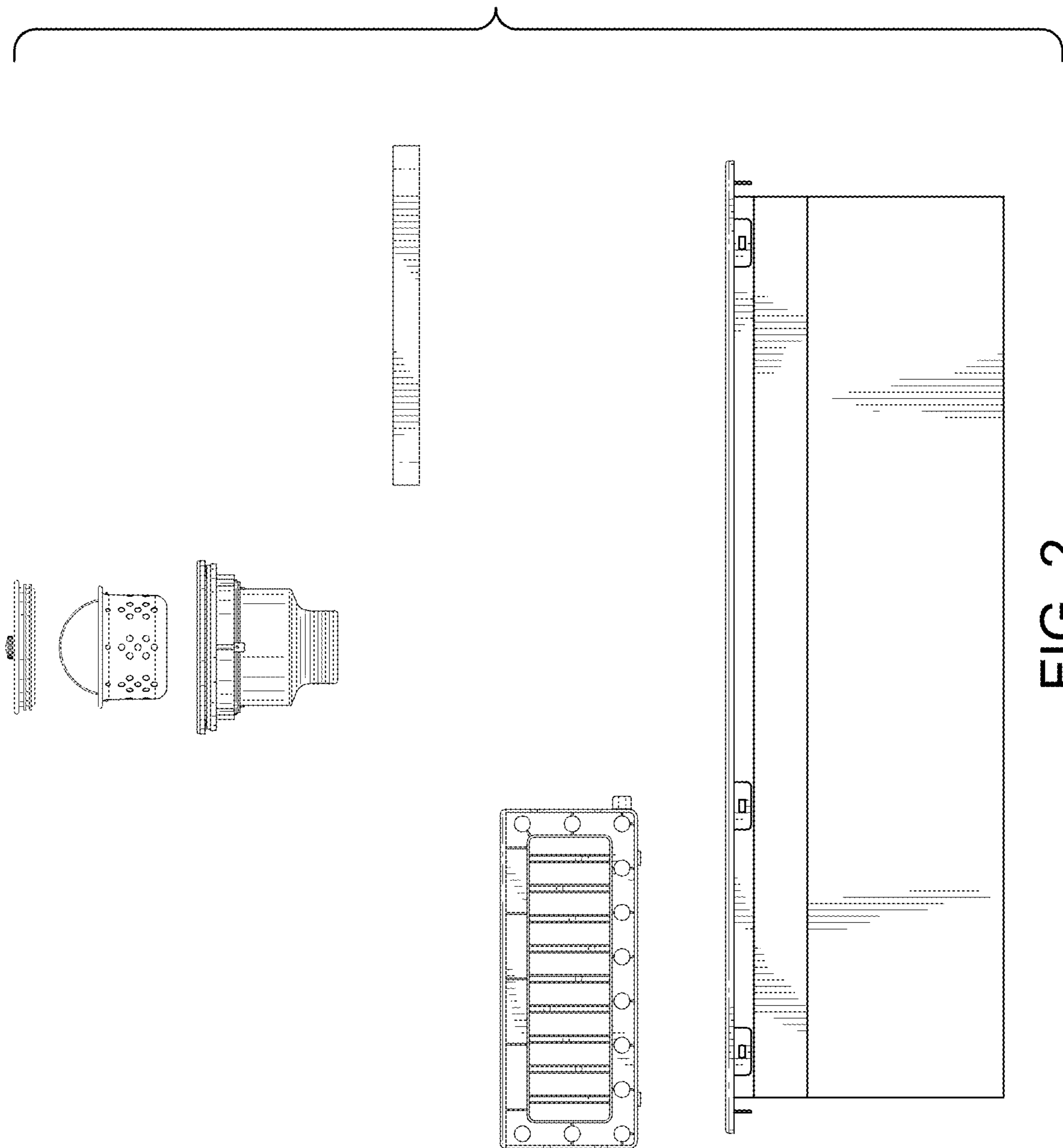


FIG. 2

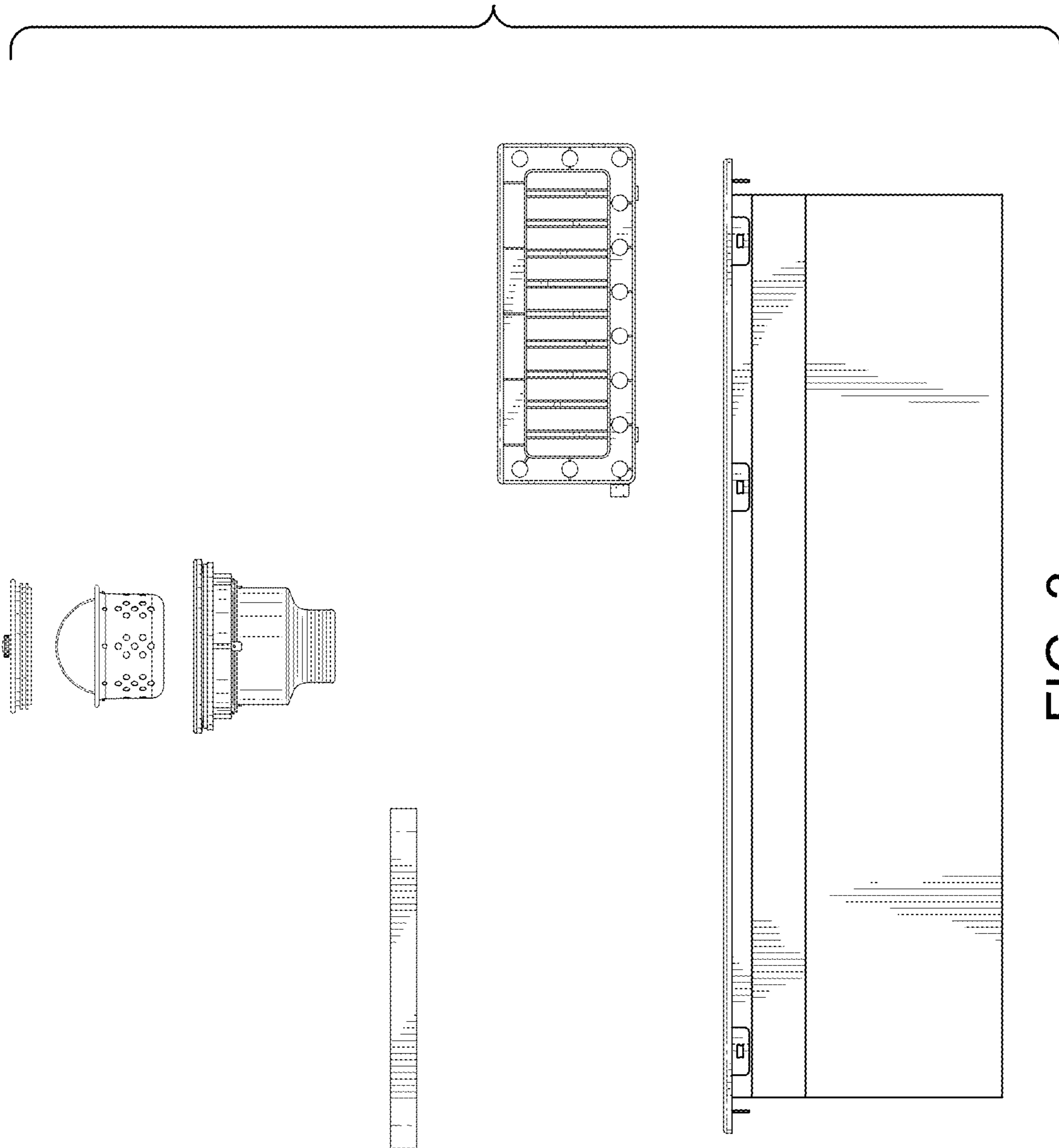


FIG. 3

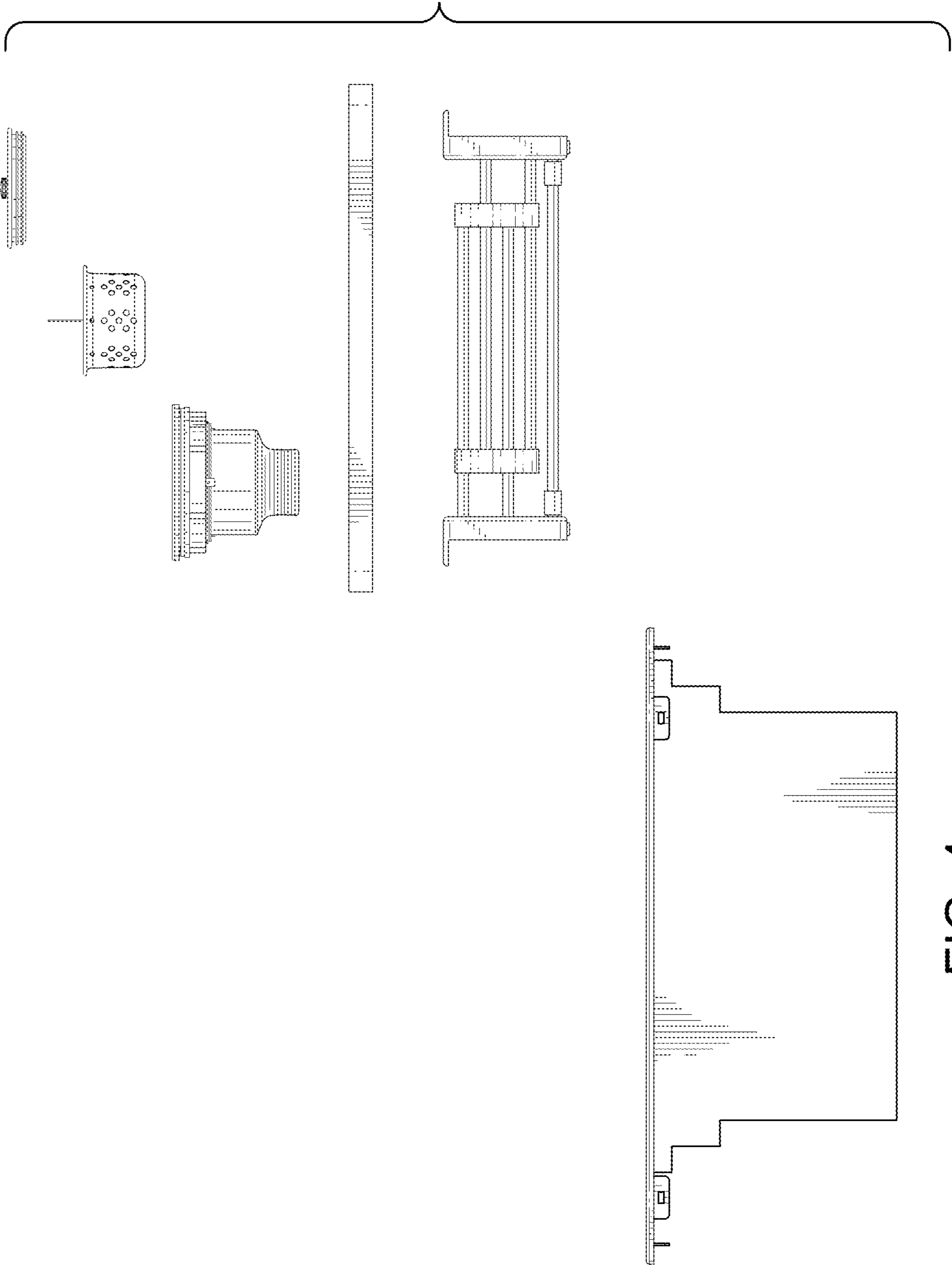


FIG. 4

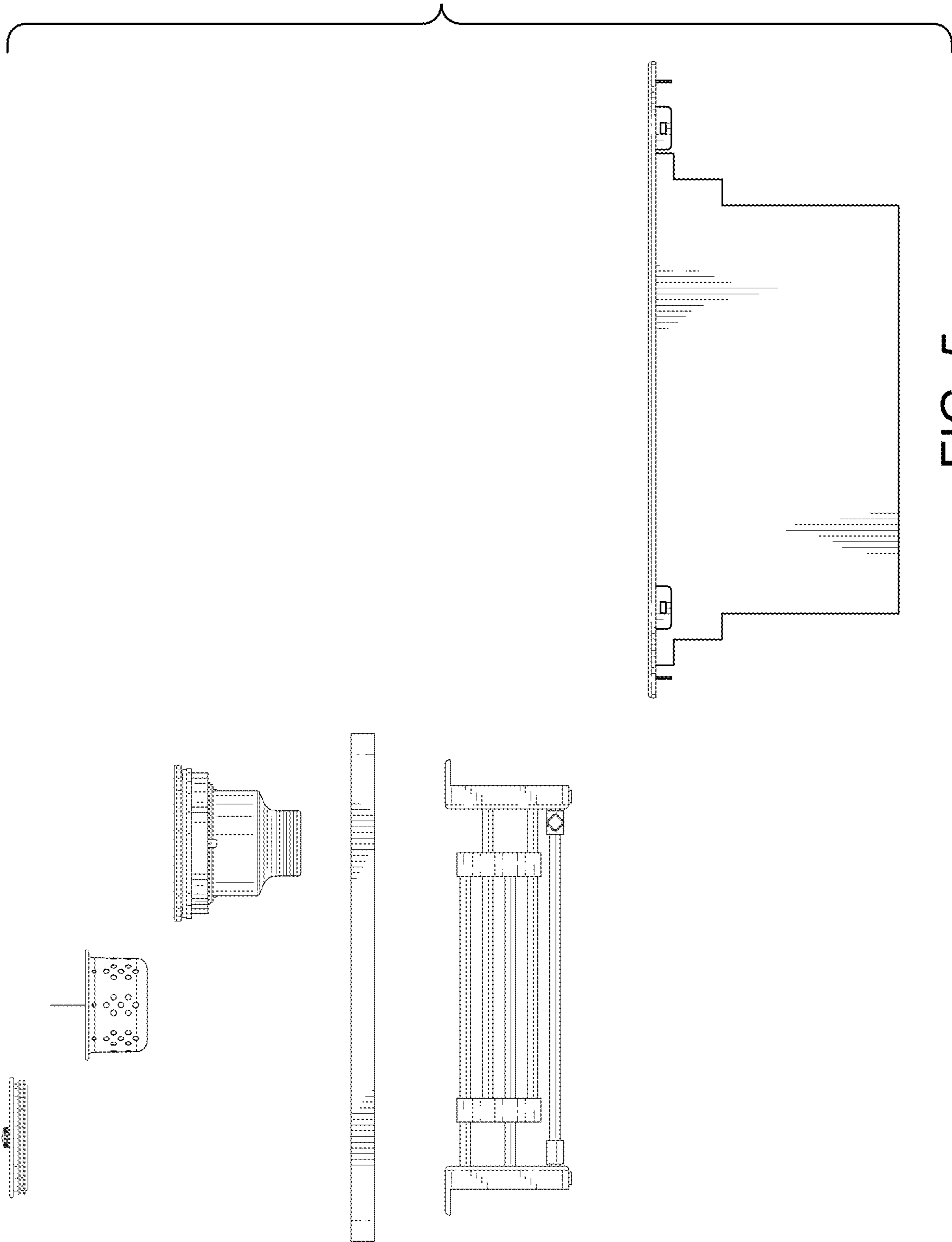


FIG. 5

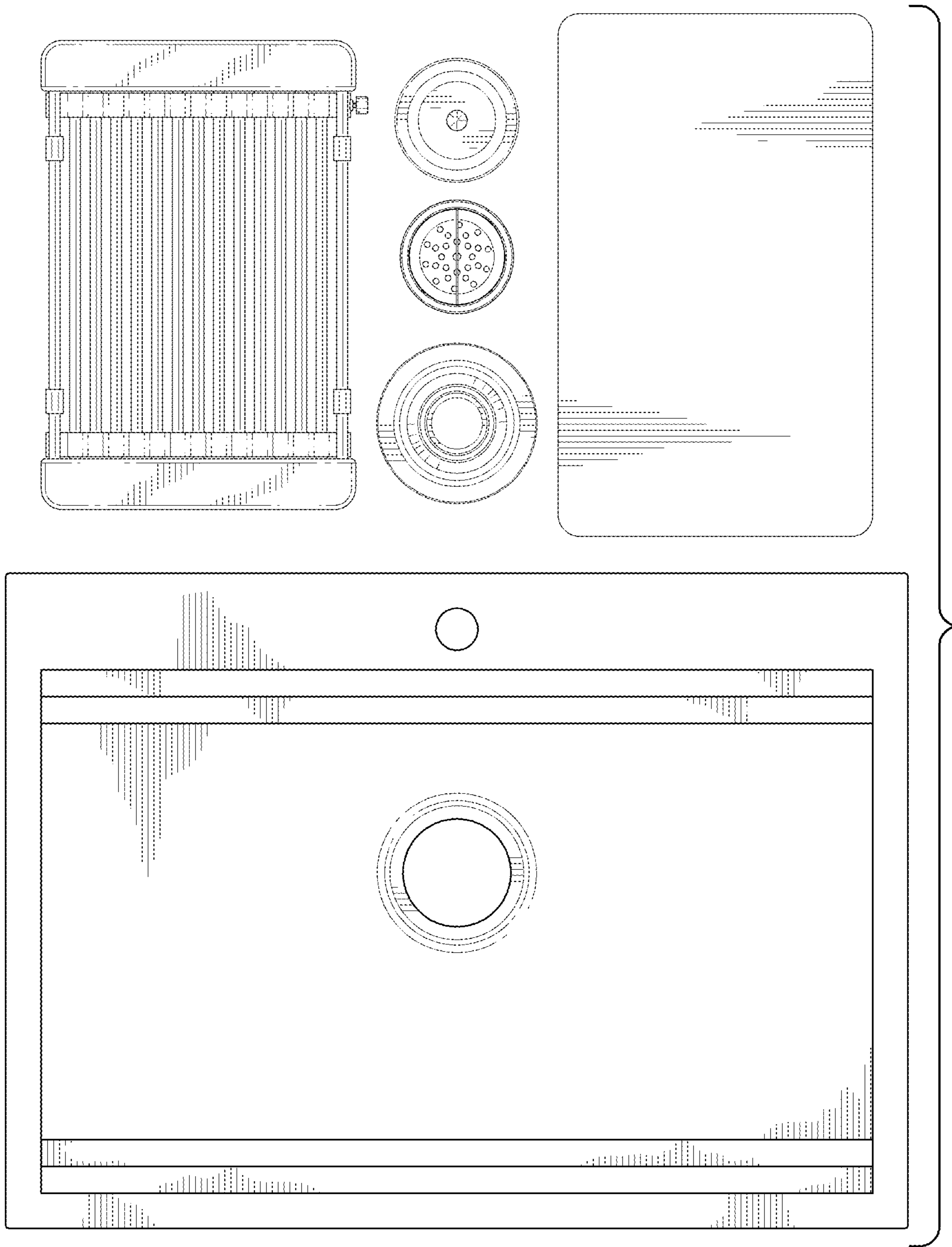


FIG. 6



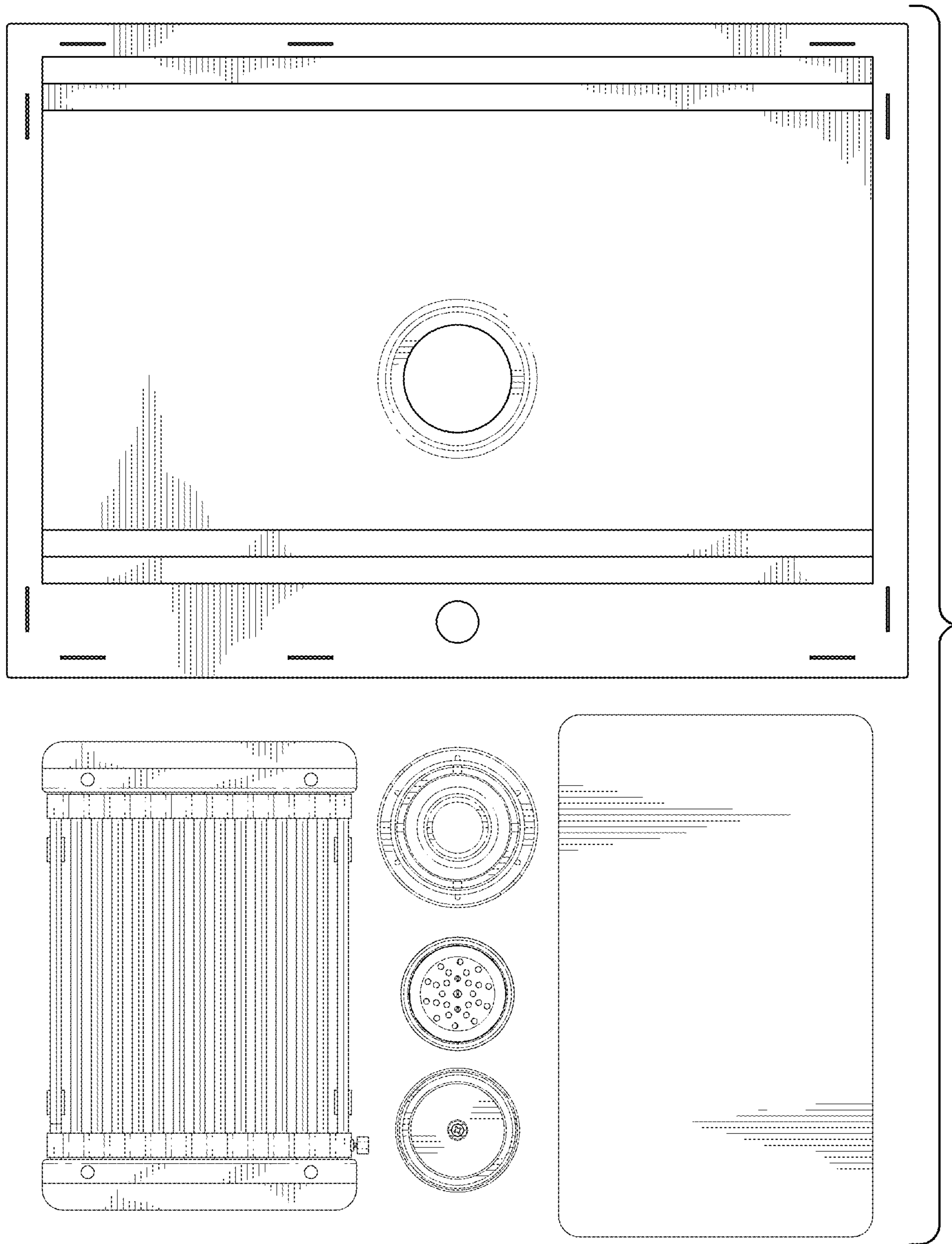


FIG. 7

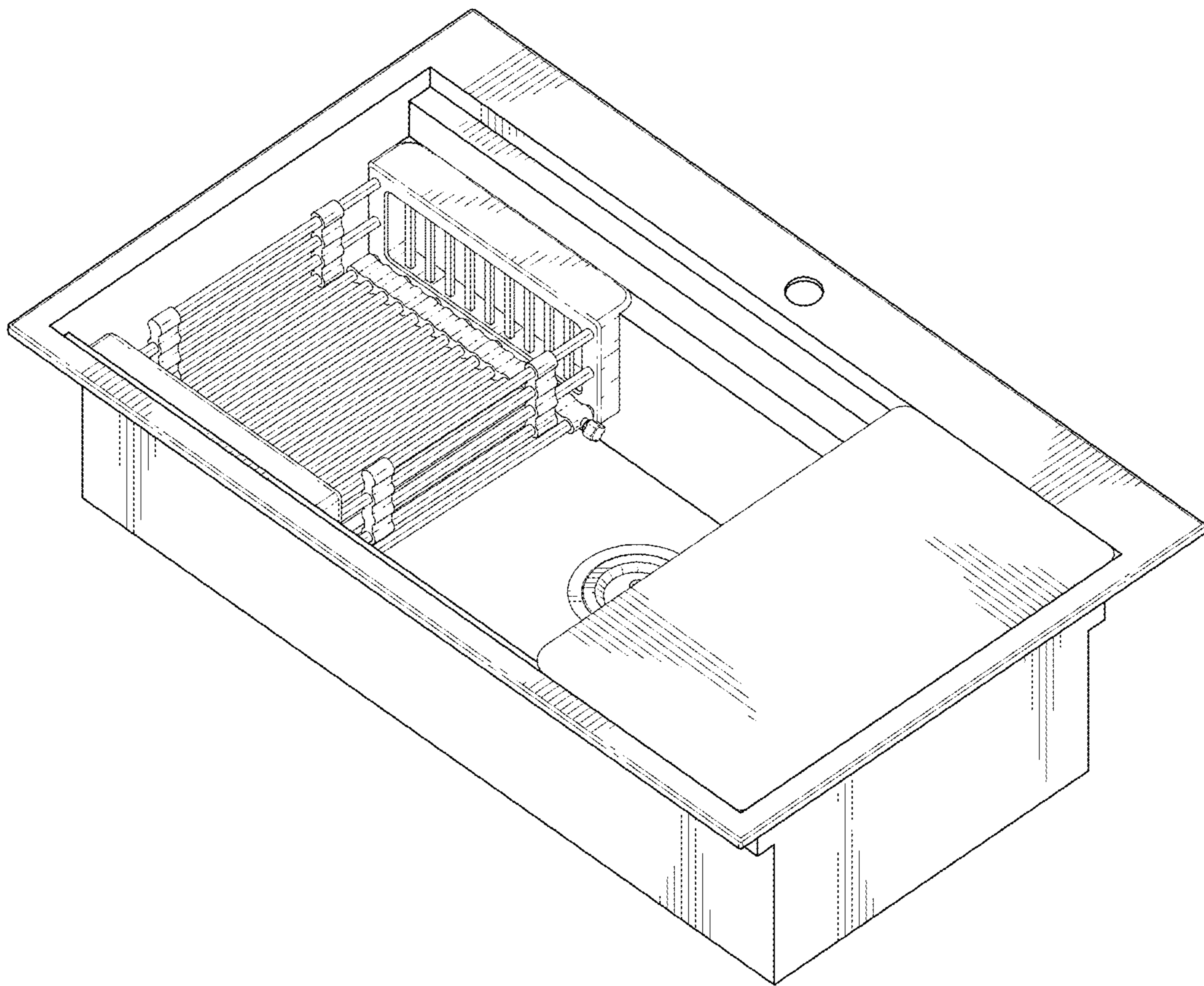


FIG. 8

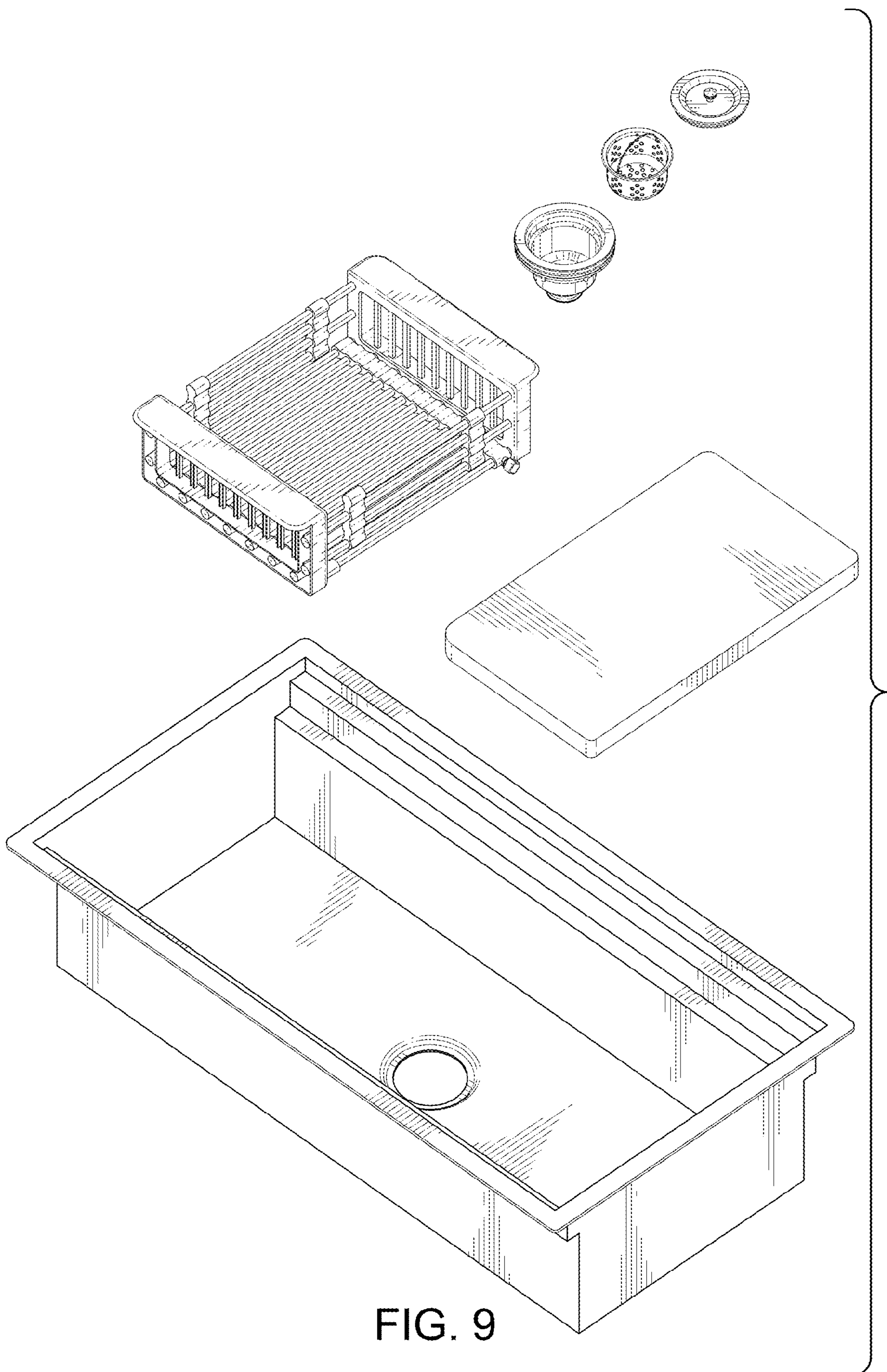


FIG. 9

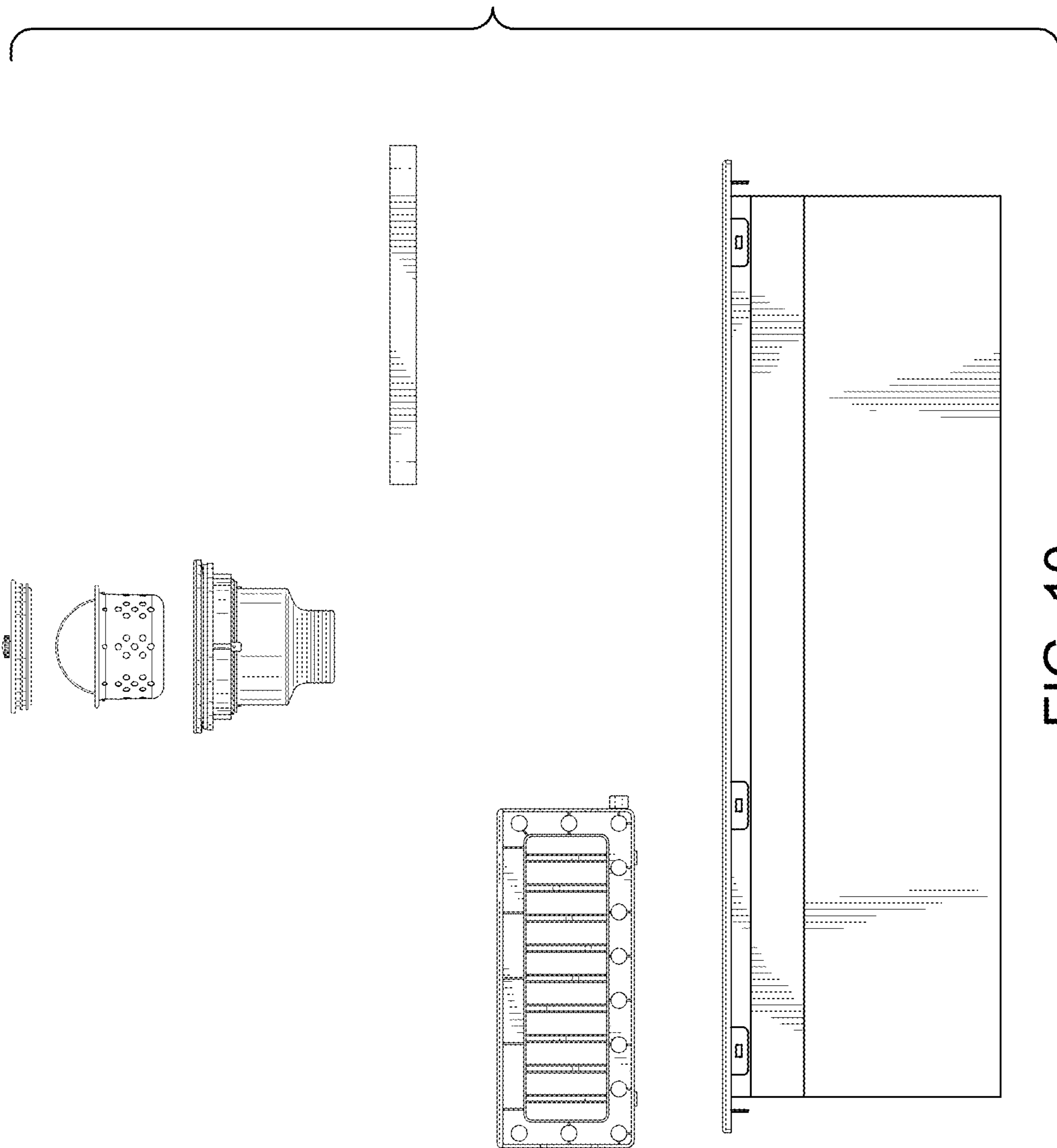


FIG. 10

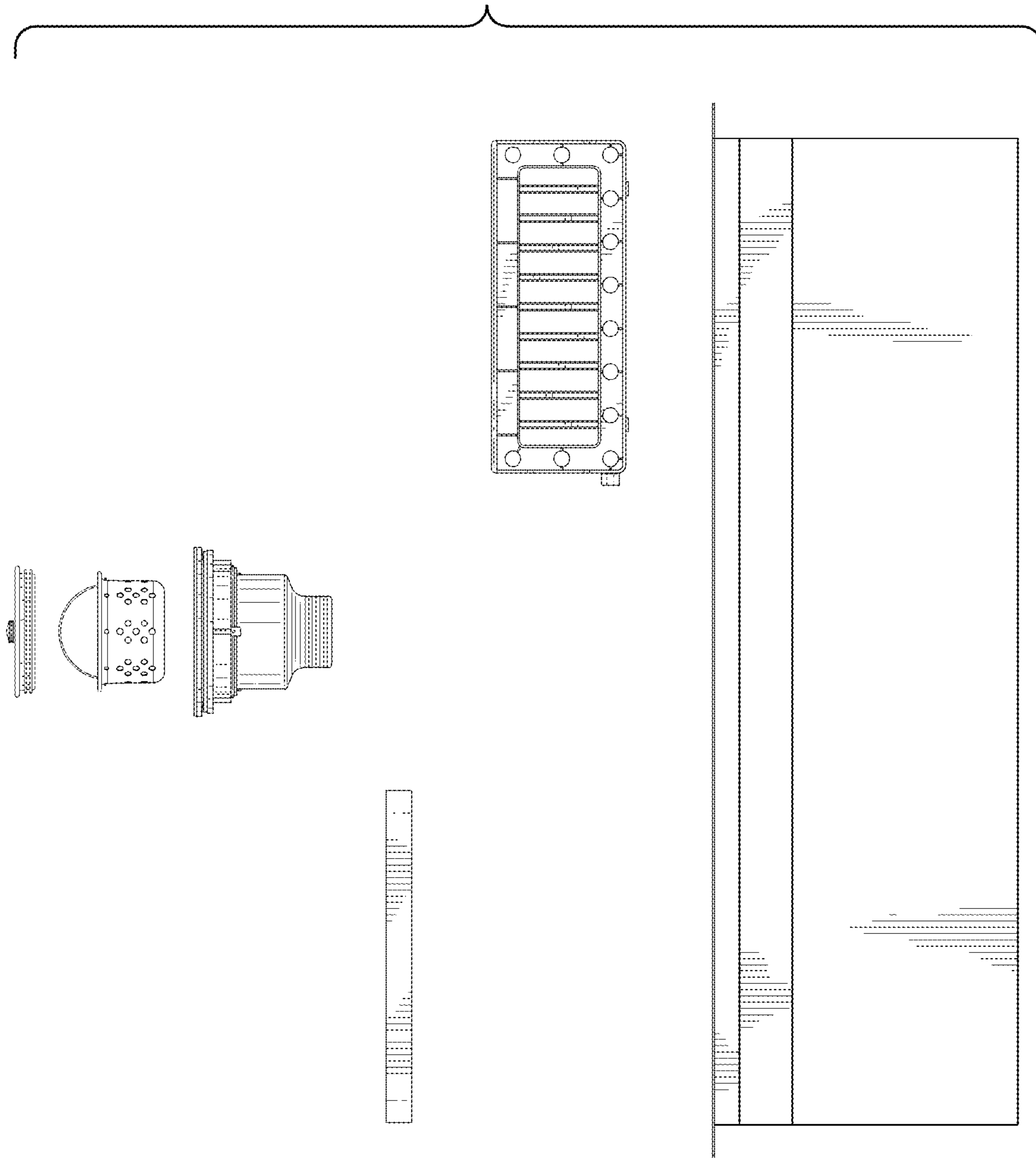


FIG. 11

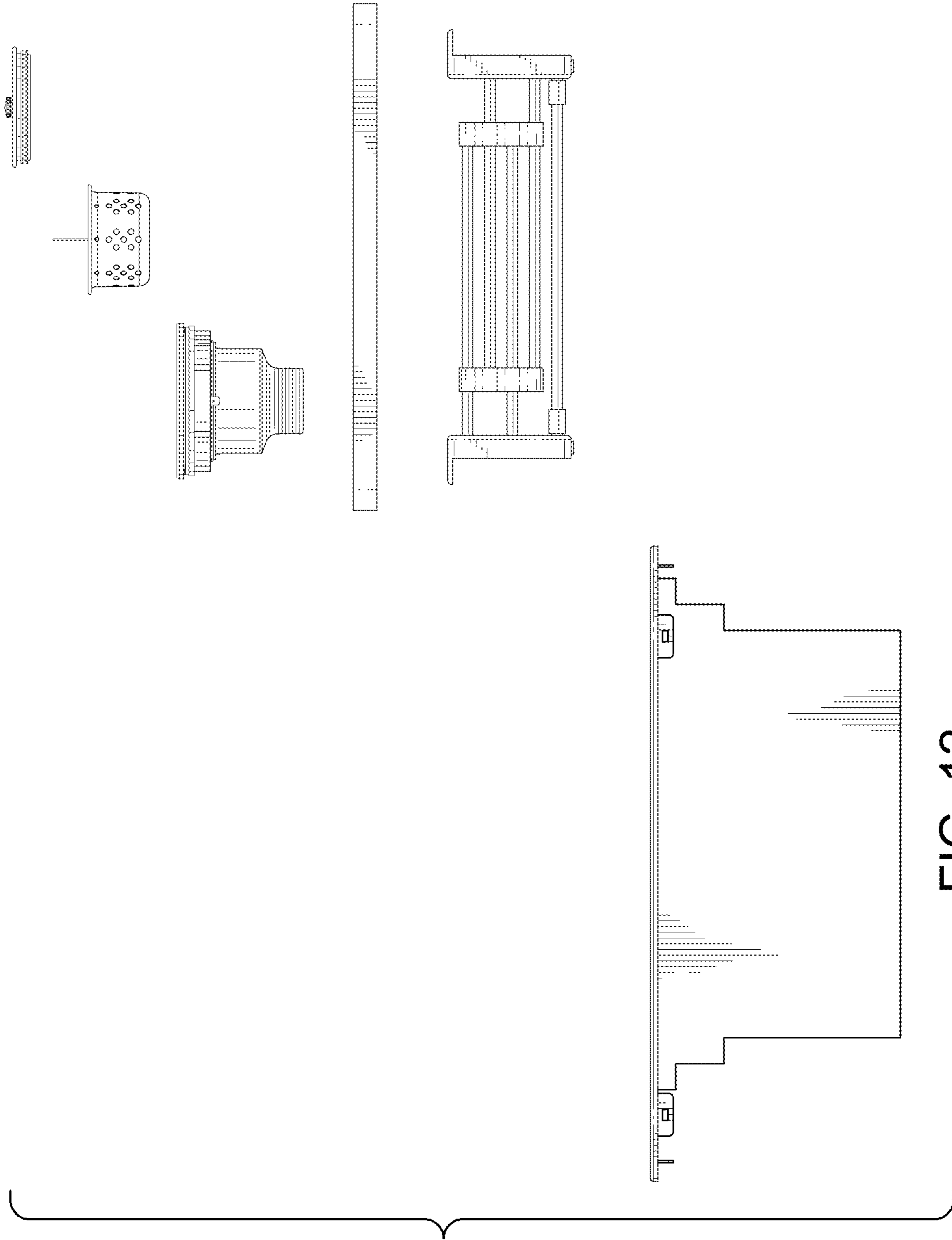


FIG. 12

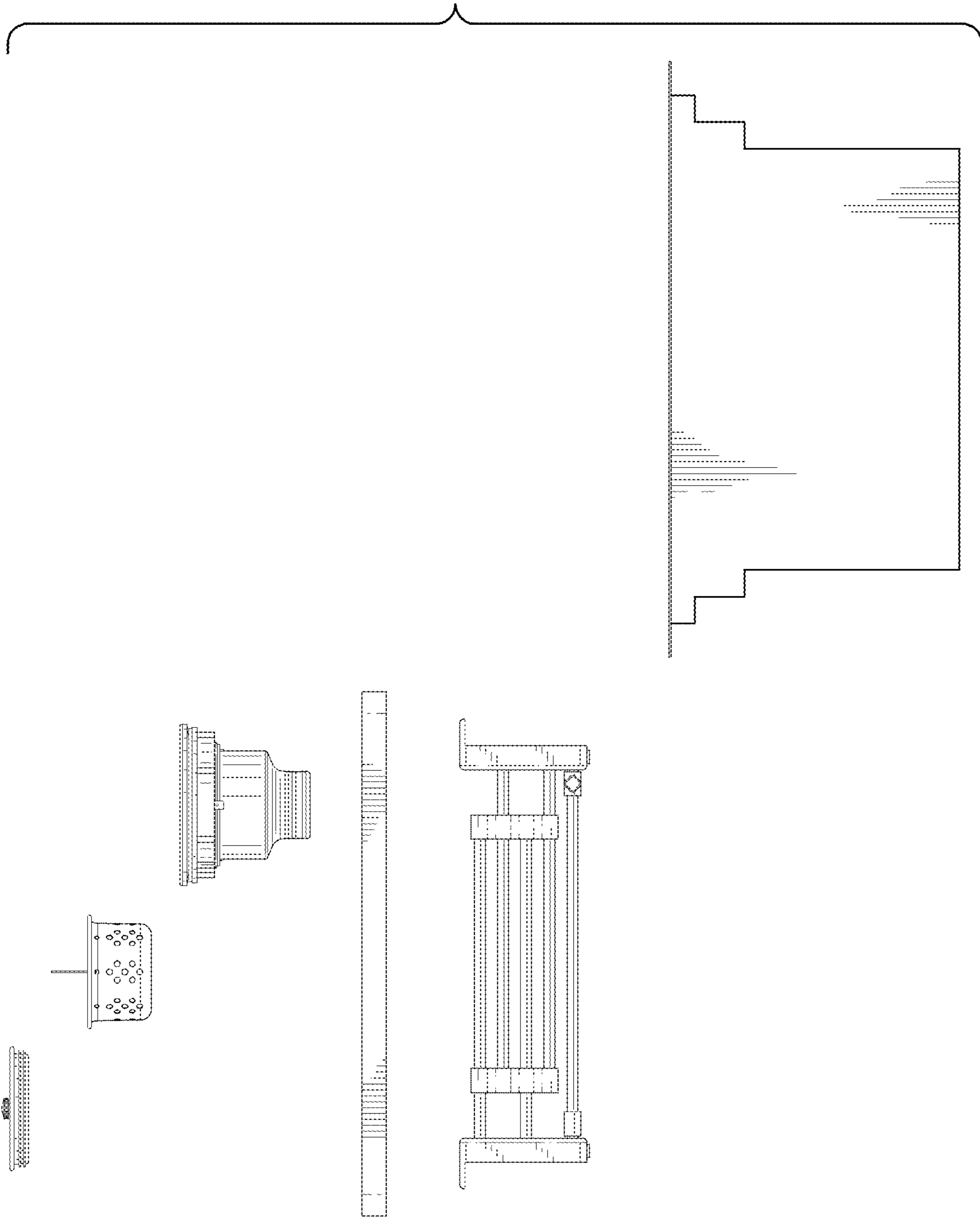


FIG. 13

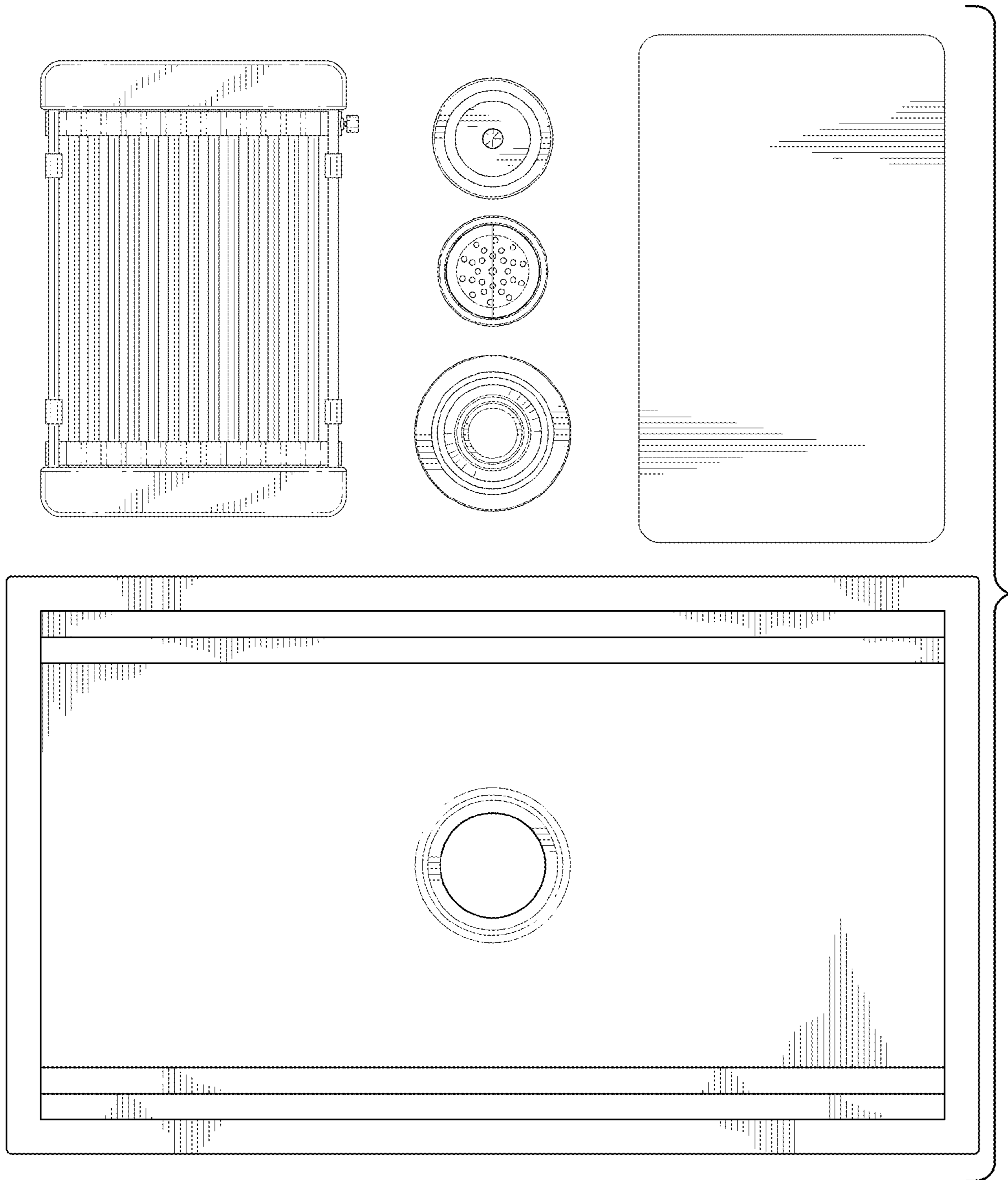


FIG. 14



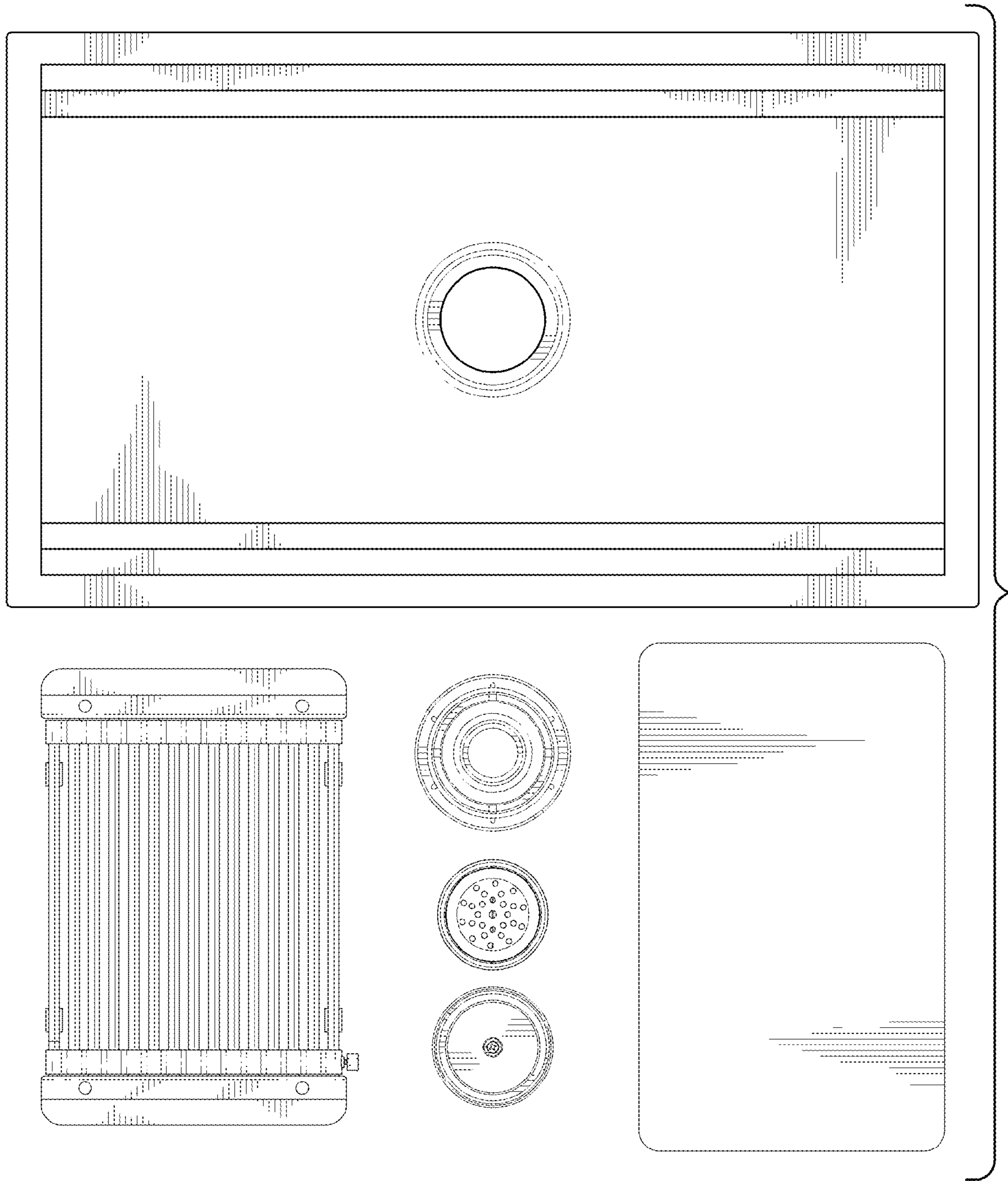


FIG. 15

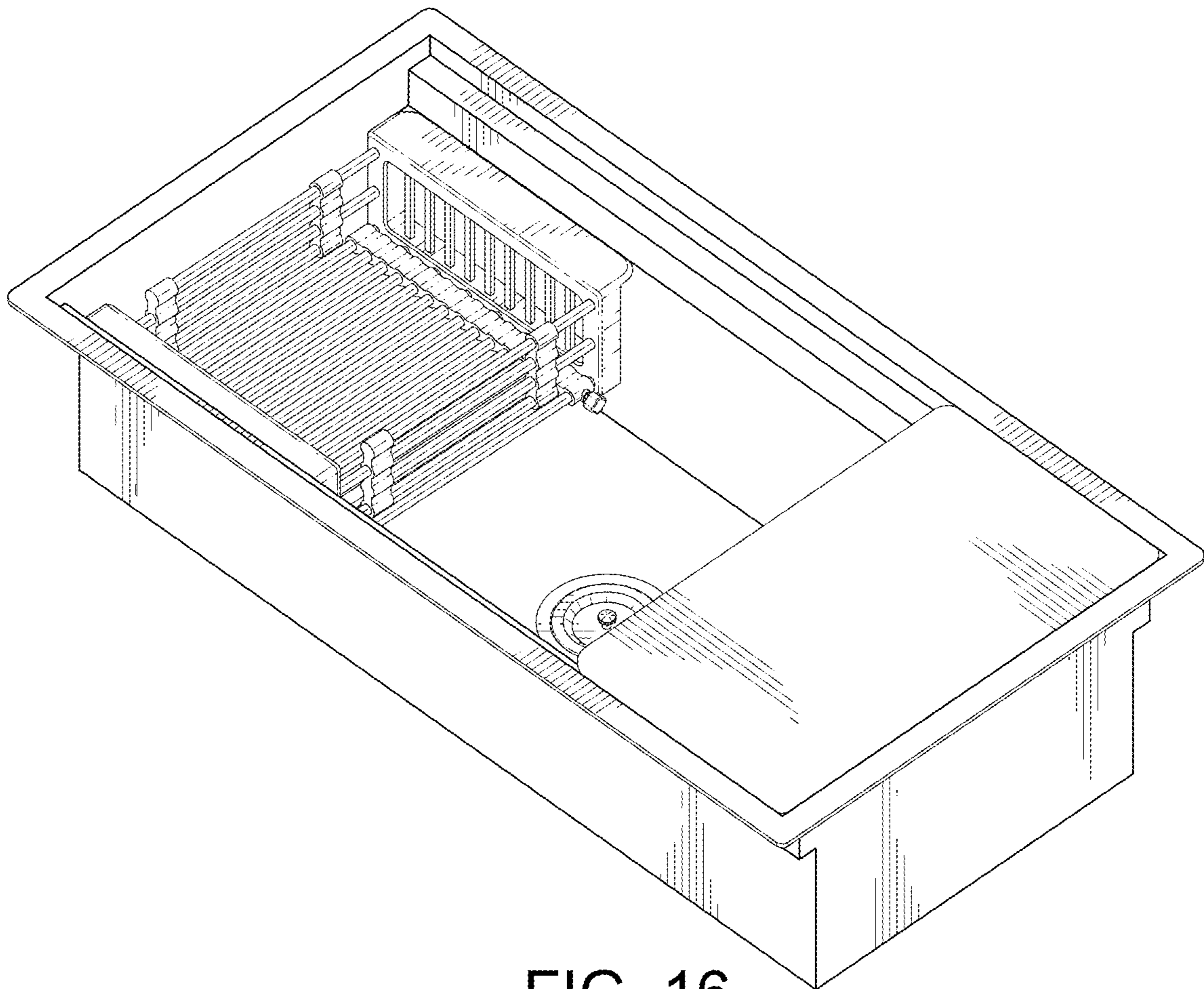


FIG. 16