

US00D879919S

(12) **United States Design Patent**  
**Chaudhry**

(10) **Patent No.:** **US D879,919 S**  
(45) **Date of Patent:** **\*\* Mar. 31, 2020**

(54) **ENCLOSURE WITH COUPLING FEATURES FOR A WATER HEATER**

- (71) Applicant: **Rheem Manufacturing Company**,  
Atlanta, GA (US)
- (72) Inventor: **Raheel A. Chaudhry**, Montgomery, AL  
(US)
- (73) Assignee: **Rheem Manufacturing Company**,  
Atlanta, GA (US)
- (\*\*) Term: **15 Years**

- (21) Appl. No.: **29/612,619**
- (22) Filed: **Aug. 2, 2017**
- (51) **LOC (12) Cl.** ..... **23-01**
- (52) **U.S. Cl.**  
USPC ..... **D23/262; D23/322**
- (58) **Field of Classification Search**  
USPC ..... D23/259, 262, 233, 318, 320-323, 358;  
D13/133, 139.3, 152, 145-147, 184;  
220/3.2, 3.8; 122/18.5, 19.2, 360  
CPC . F24H 9/02; F24H 9/06; F24H 9/2007; F24H  
1/182; F24H 1/18  
See application file for complete search history.

(56) **References Cited**

**U.S. PATENT DOCUMENTS**

- 4,974,579 A \* 12/1990 Shellenberger ..... F24H 3/087  
126/110 R
- 5,163,119 A \* 11/1992 Windon ..... F24H 1/182  
122/19.2
- 6,182,613 B1 \* 2/2001 McCraney ..... F24H 9/02  
122/19.2
- D442,923 S \* 5/2001 Raspotnig ..... D13/184
- D532,497 S \* 11/2006 Engel ..... D23/318

(Continued)

Primary Examiner — Amy C Wierenga

(74) *Attorney, Agent, or Firm* — Troutman Sanders LLP

(57) **CLAIM**

The ornamental design for an enclosure with coupling features for a water heater, as shown and described.

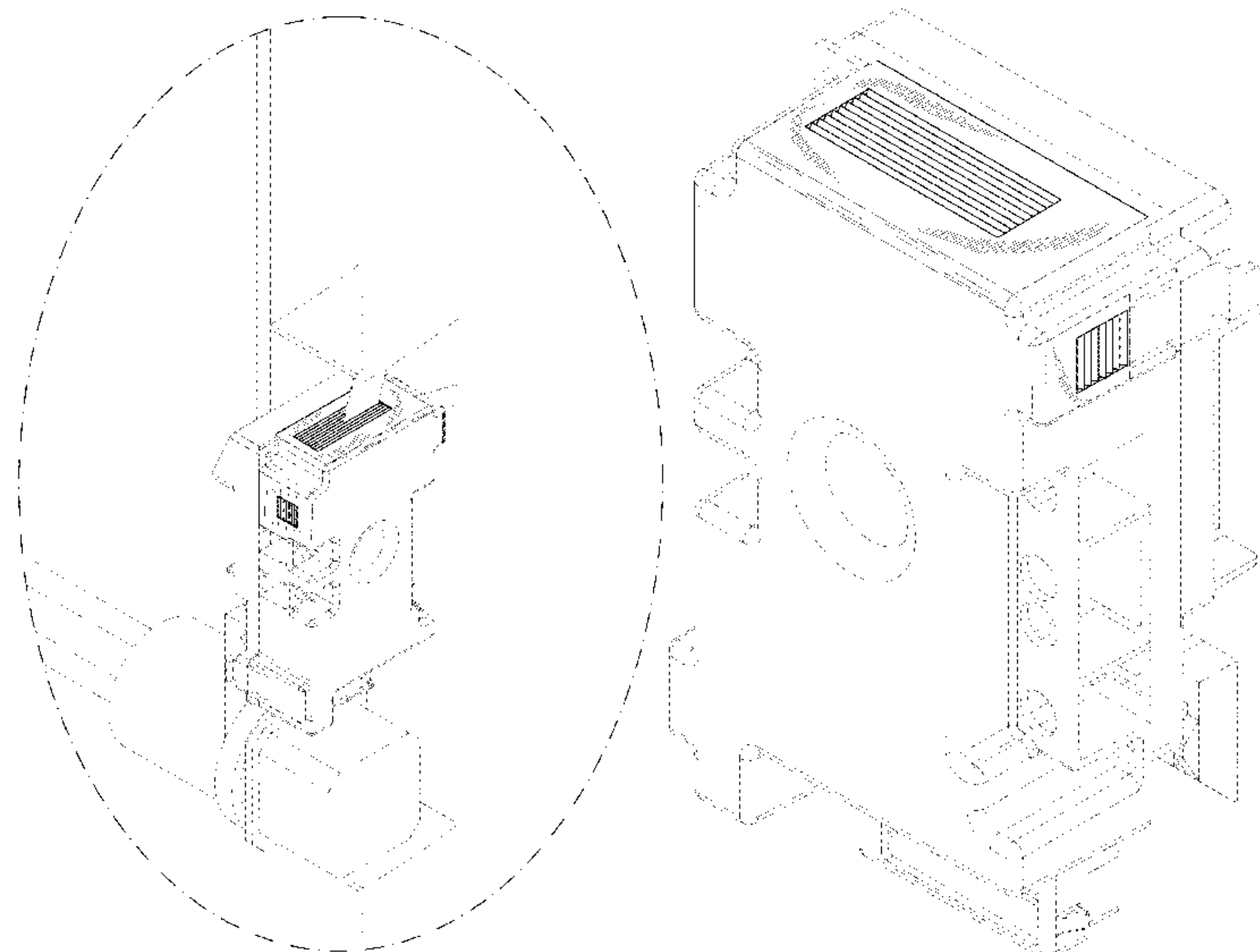
**DESCRIPTION**

FIG. 1 is a top-front-side perspective view of an enclosure with coupling features for a water heater in an unclaimed environment of use;  
 FIG. 2 is an enlarged detailed top-front-side perspective view of an enclosure for a water heater shown in an unclaimed environment of use.  
 FIG. 3 is a top-side-front perspective view of an enclosure with coupling features for a water heater;  
 FIG. 4 is a bottom-side-front perspective view of an enclosure with coupling features for a water heater;  
 FIG. 5 is a front elevation view of an enclosure with coupling features for a water heater;  
 FIG. 6 is a rear elevation view of an enclosure with coupling features for a water heater;  
 FIG. 7 is a right plan view of an enclosure with coupling features for a water heater;  
 FIG. 8 is a left plan view of an enclosure with coupling features for a water heater;  
 FIG. 9 is a top plan view of an enclosure with coupling features for a water heater; and,  
 FIG. 10 is a bottom plan view of an enclosure with coupling features for a water heater.

The broken lines shown in the drawings are for the purpose of illustrating environment that form no part of the claim. For example, the evenly spaced broken lines depict portions of the enclosure with coupling features for a water heater and environmental subject matter that forms no part of the claims.

The dot-dash broken lines shown in the drawings define boundaries of the claim and form no part thereof. The dot-dash broken line shown in FIGS. 1 and 2 indicate cutoff boundaries for the enlarged detailed portion views and form no part of the claim.

**1 Claim, 9 Drawing Sheets**



(56)

**References Cited**

U.S. PATENT DOCUMENTS

D532,498	S	*	11/2006	Maegawa	.....	D23/318
D607,094	S	*	12/2009	Tanbour	.....	D23/322
D724,190	S	*	3/2015	Mross	.....	D23/323
D804,623	S	*	12/2017	Yamaguchi	.....	D23/318
D825,724	S	*	8/2018	Humphrey	.....	D23/318
2007/0248143	A1	*	10/2007	Phillips	.....	G01K 1/20 374/141
2014/0204523	A1	*	7/2014	Yang	.....	G06F 1/20 361/679.31
2015/0338127	A1	*	11/2015	Kim	.....	F23L 15/00 122/18.4

\* cited by examiner

FIG. 1

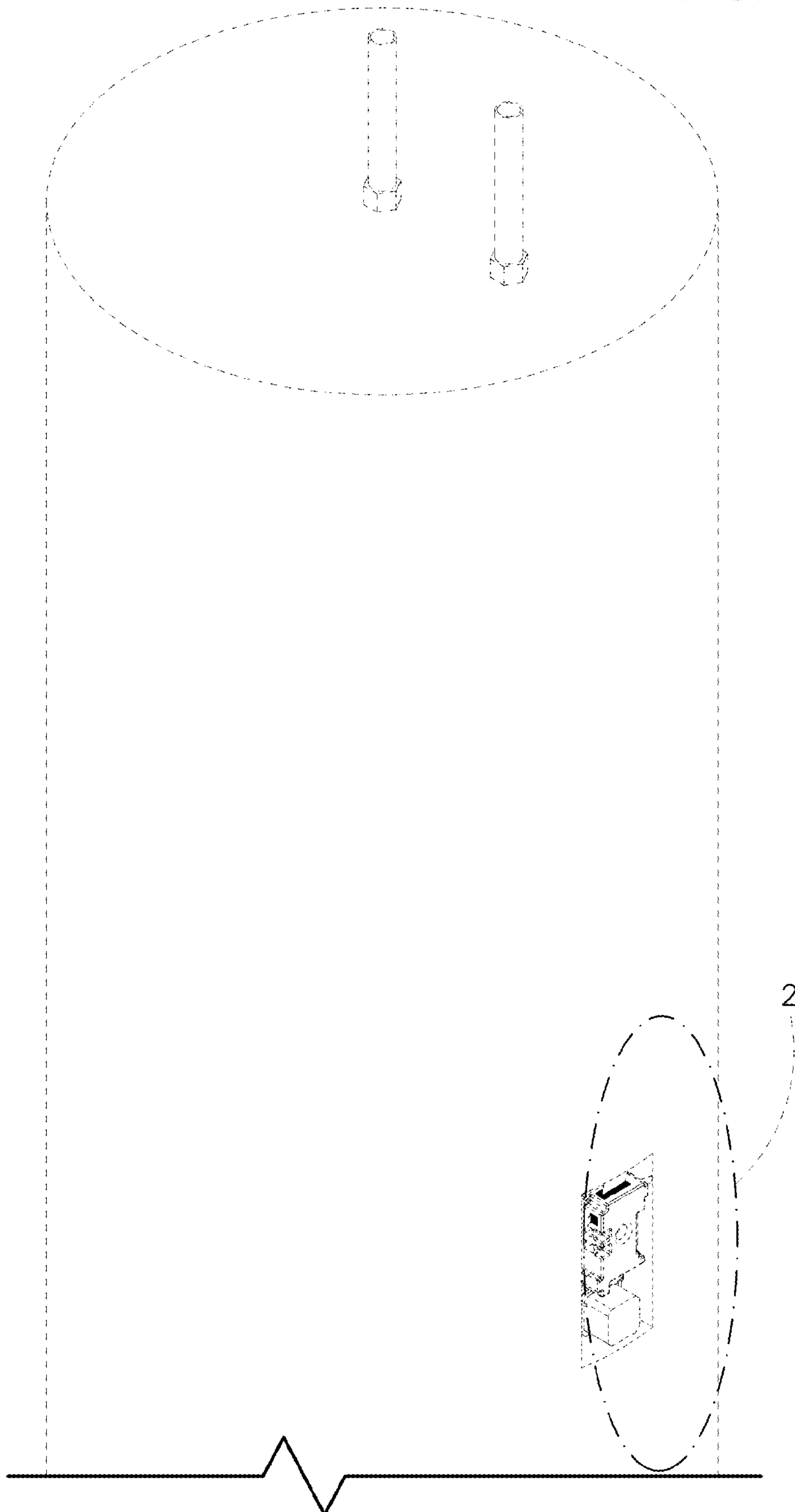


FIG. 2

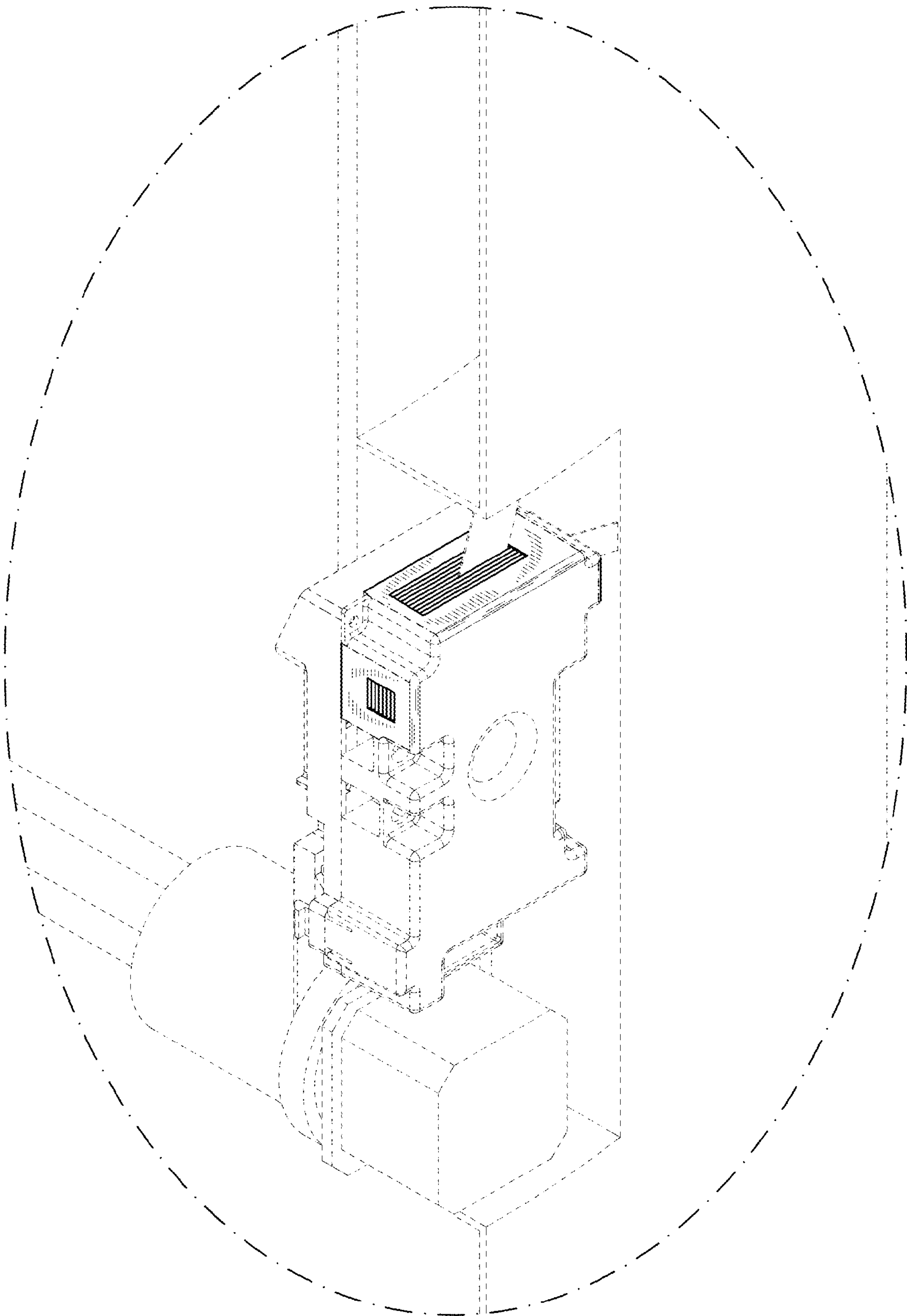


FIG. 3

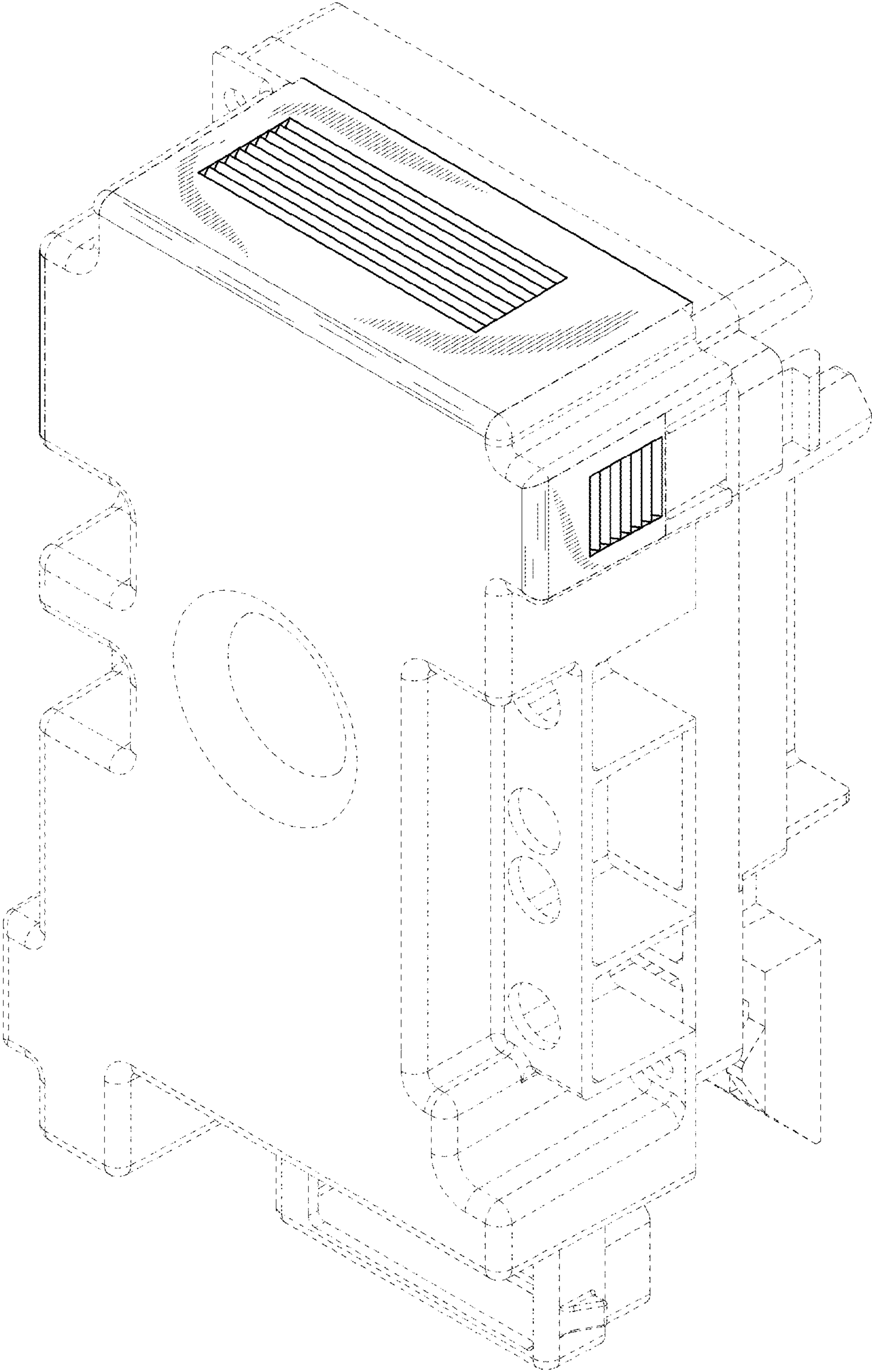




FIG. 4

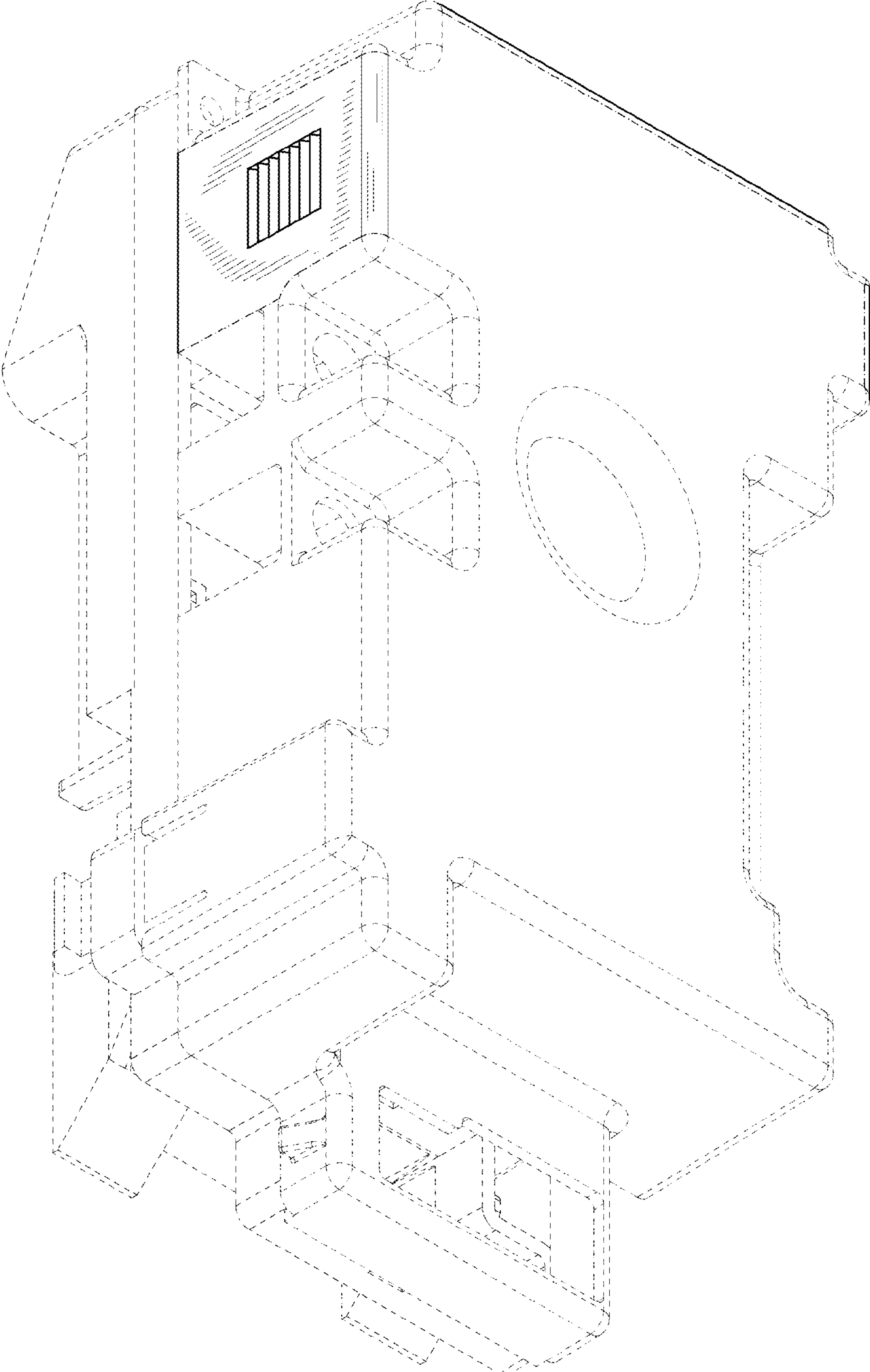


FIG. 5

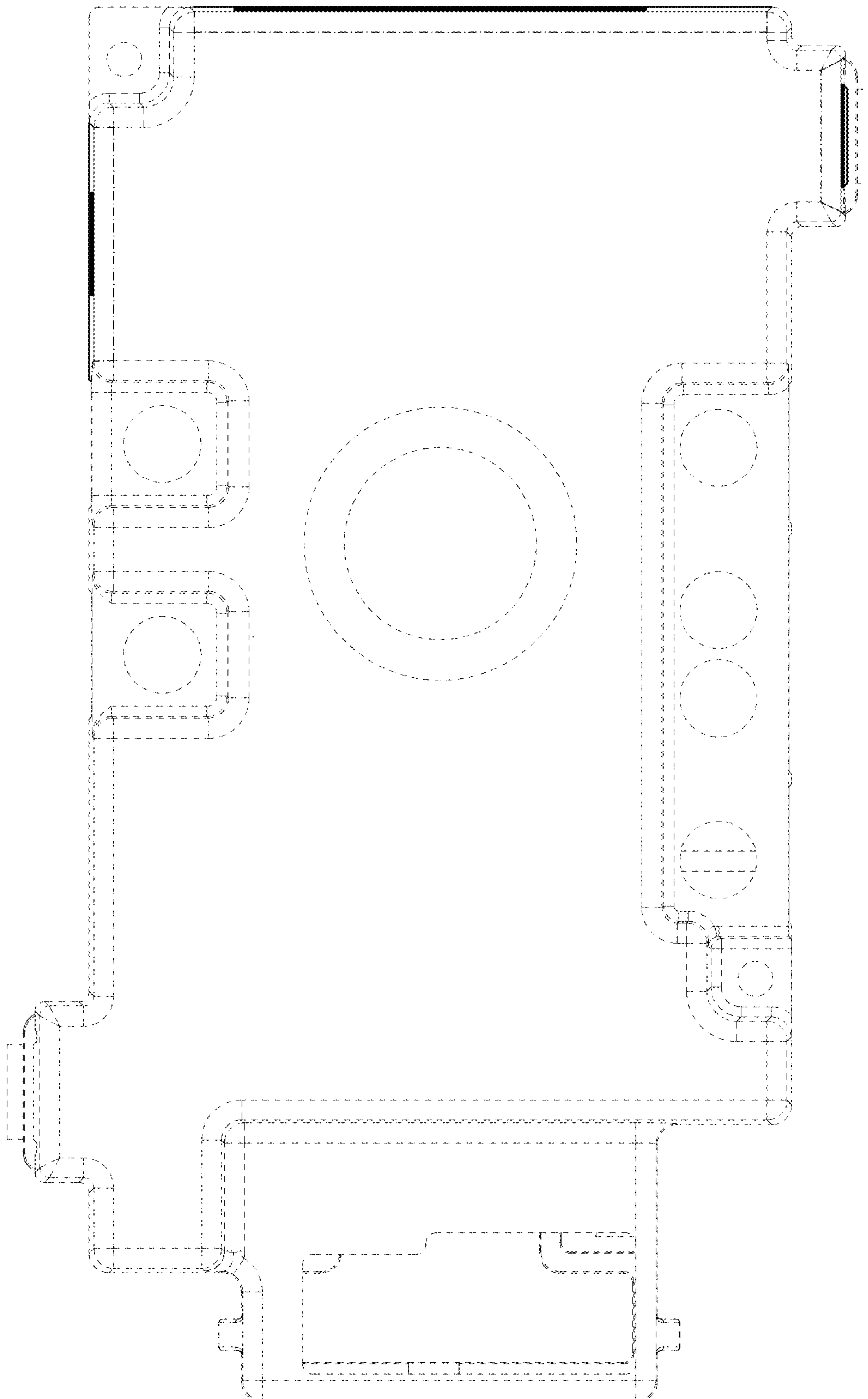


FIG. 6

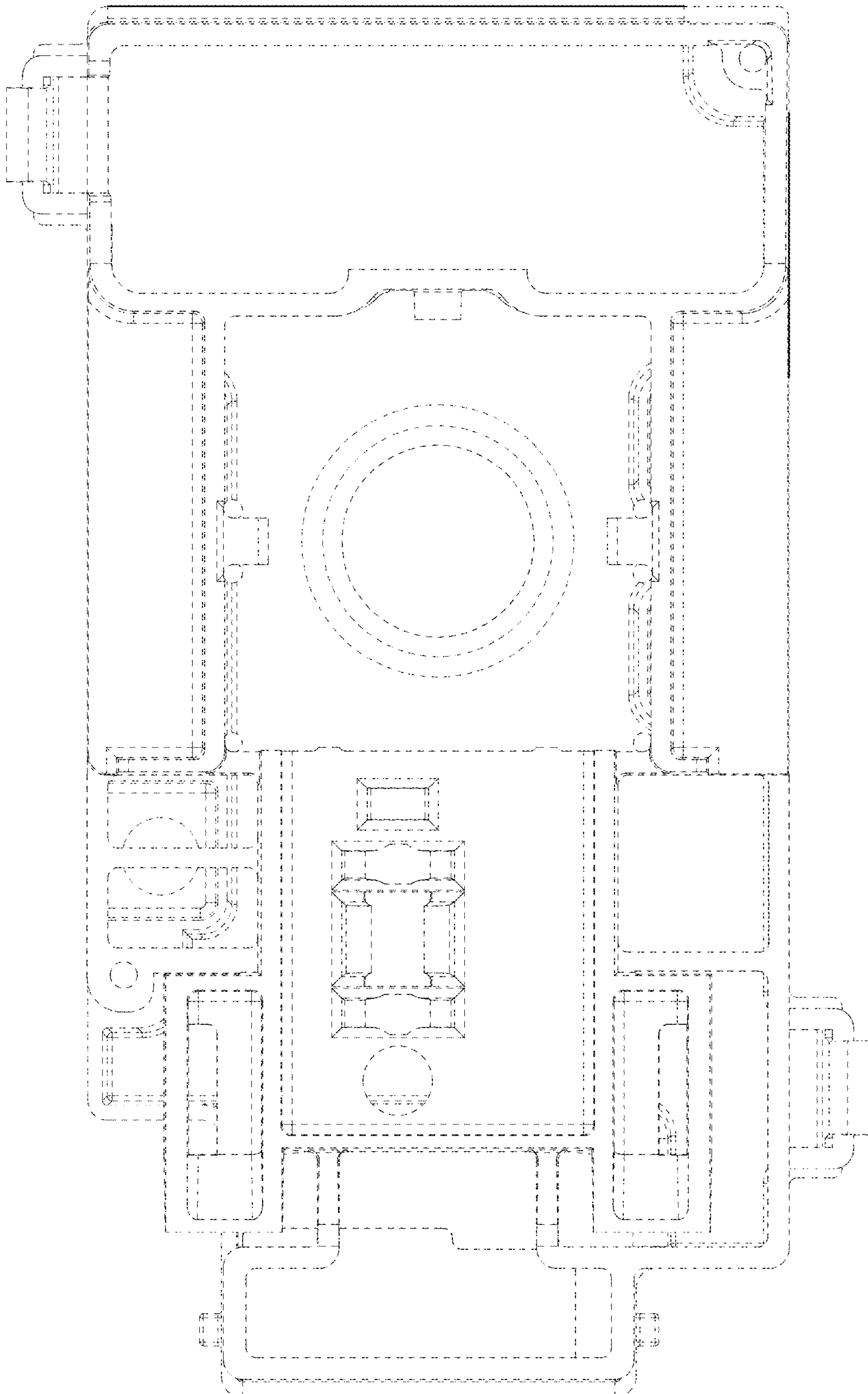




FIG. 7

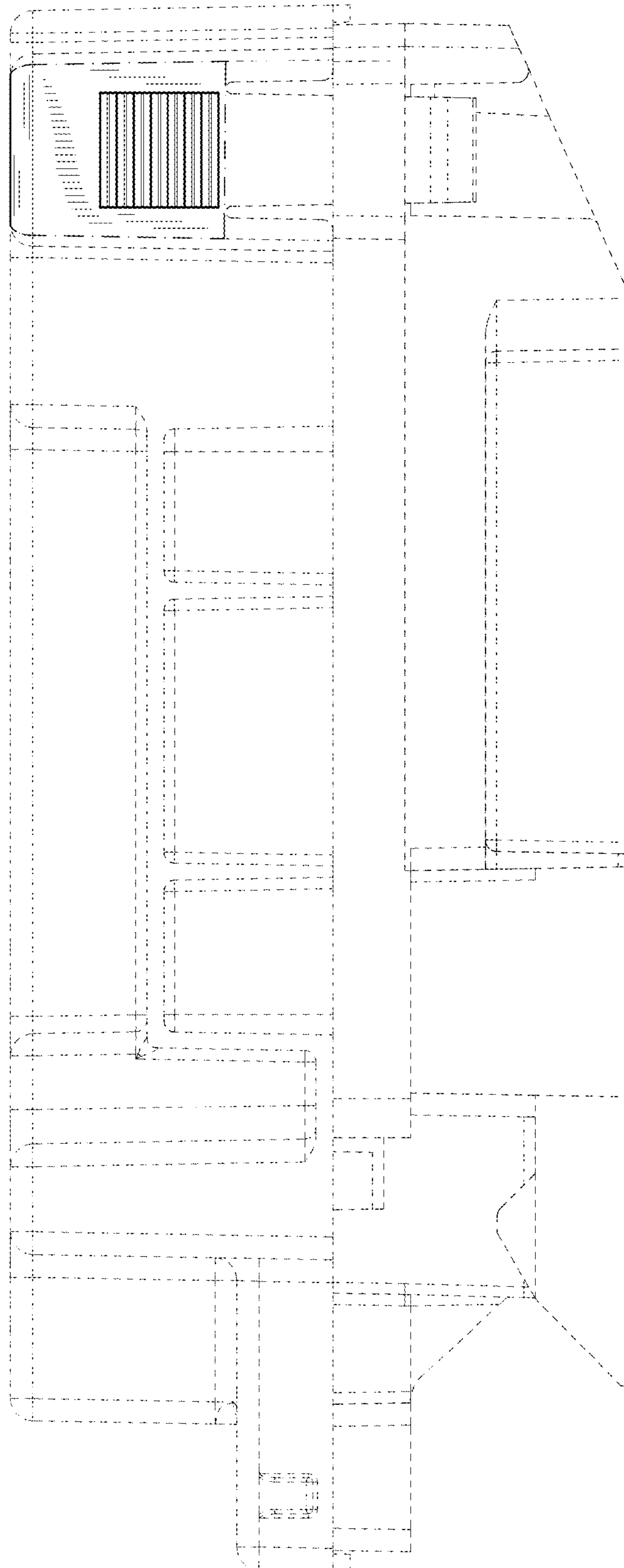


FIG. 8

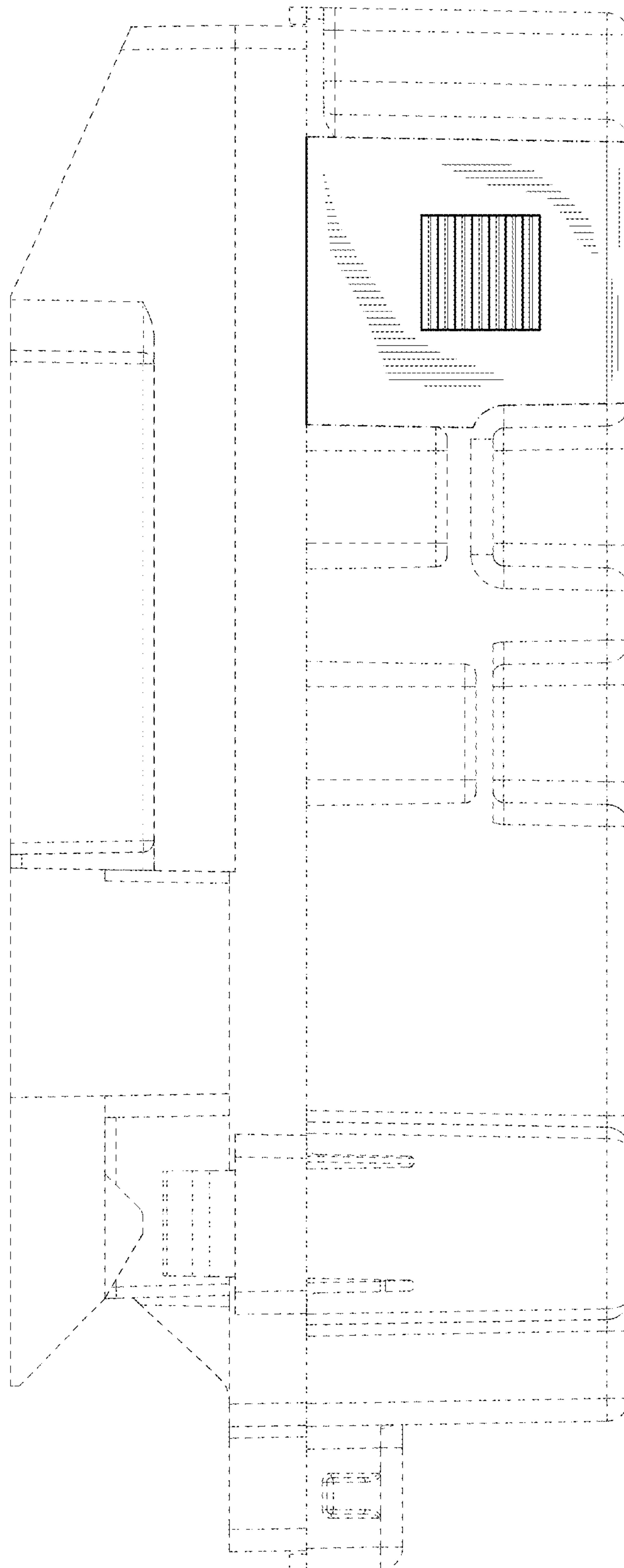


FIG. 9

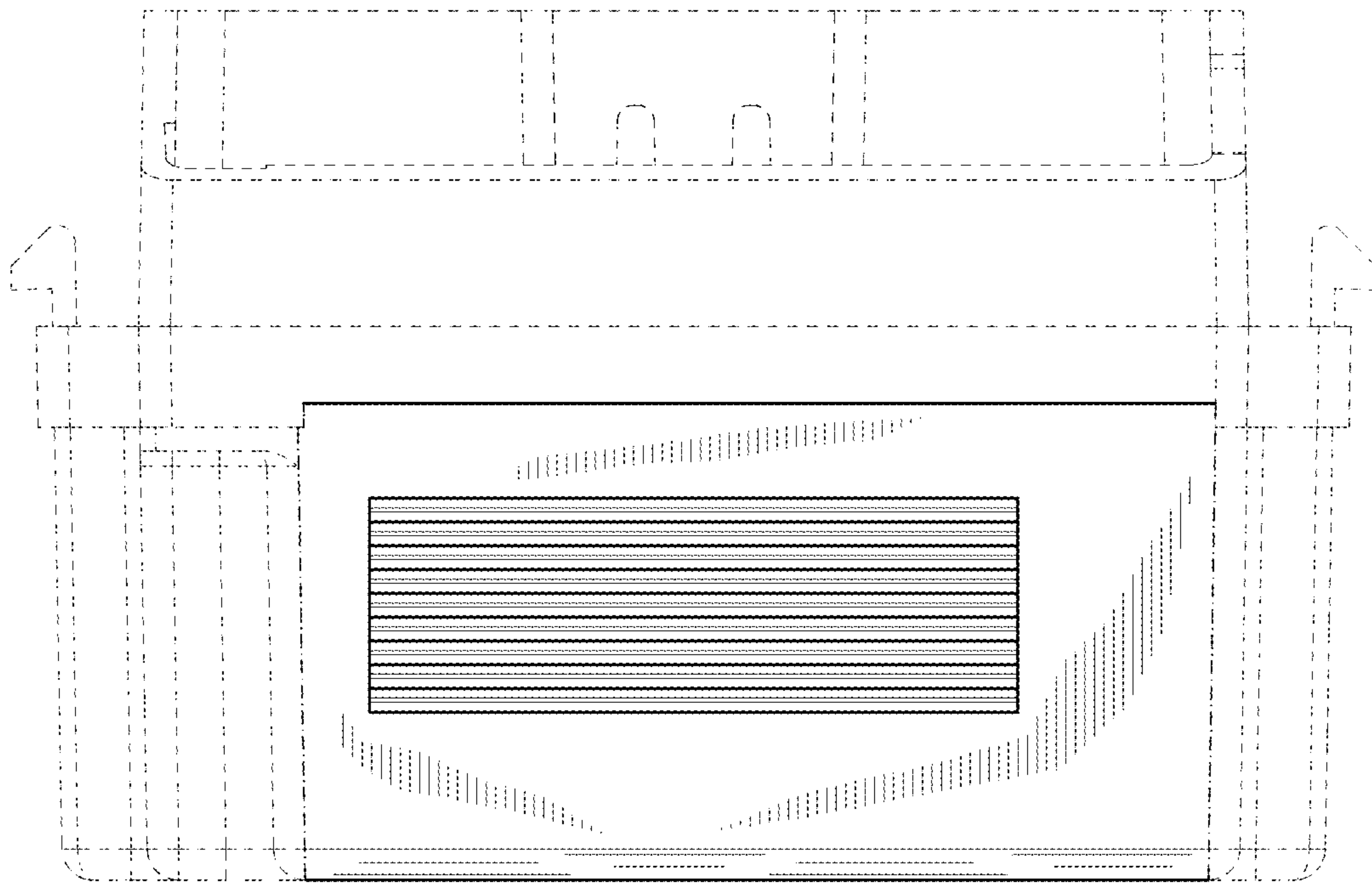


FIG. 10

