



US00D879918S

(12) **United States Design Patent**
Fritz et al.

(10) **Patent No.:** **US D879,918 S**

(45) **Date of Patent:** **** Mar. 31, 2020**

(54) **FAUCET SPOUT**

(71) Applicant: **DELTA FAUCET COMPANY,**
Indianapolis, IN (US)

(72) Inventors: **Seth Fritz,** Carmel, IN (US); **Celine Kwok Garland,** Zionsville, IN (US)

(73) Assignee: **DELTA FAUCET COMPANY,**
Indianapolis, IN (US)

(**) Term: **15 Years**

(21) Appl. No.: **29/640,911**

(22) Filed: **Mar. 19, 2018**

(51) **LOC (12) Cl.** **23-01**

(52) **U.S. Cl.**
USPC **D23/255**

(58) **Field of Classification Search**
USPC D23/238-243, 249, 255-257, 309
CPC ... Y10T 137/9464; E03C 1/04; E03C 1/0404;
E03C 1/0407
See application file for complete search history.

(56) **References Cited**

U.S. PATENT DOCUMENTS

D511,201 S * 11/2005 Kulig D23/238
D512,125 S * 11/2005 Kulig D23/238

D621,478 S * 8/2010 Kulig D23/242
D667,932 S * 9/2012 Kulig D23/238
D708,710 S * 7/2014 Yu D23/238
D708,711 S * 7/2014 Yu D23/238
D708,712 S * 7/2014 Yu D23/238
D760,360 S * 6/2016 Kawakami D23/255
D800,262 S * 10/2017 Andrew D23/238
D800,273 S * 10/2017 Andrew D23/255
D811,535 S * 2/2018 Wieser D23/239

* cited by examiner

Primary Examiner — Sheryl Lane

Assistant Examiner — Samantha N Wood

(74) *Attorney, Agent, or Firm* — Edgar A. Zarins; Nirav D. Parikh

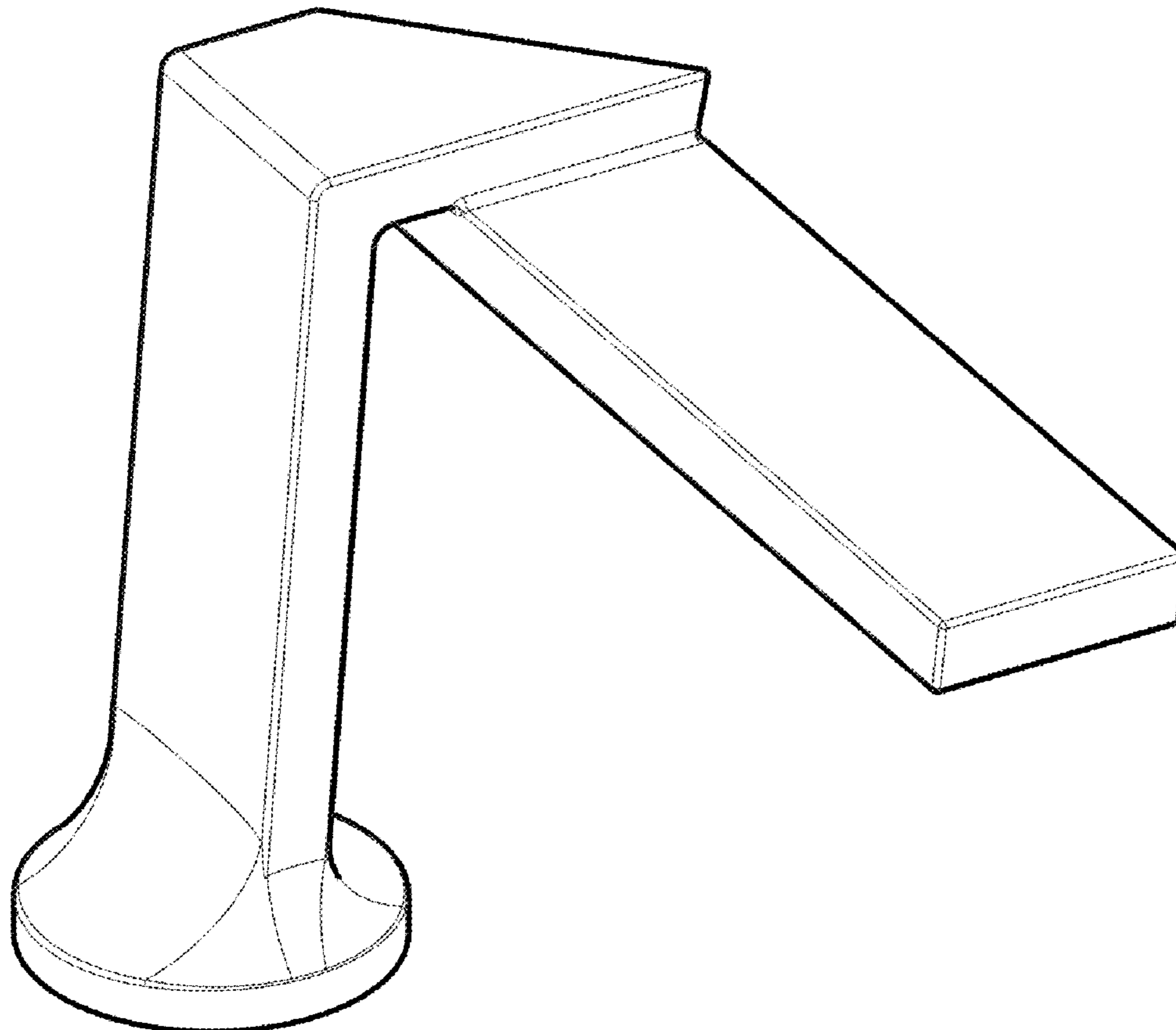
(57) **CLAIM**

The ornamental design for a faucet spout, as shown and described.

DESCRIPTION

FIG. 1 is a front perspective view of a faucet spout showing our new design;
FIG. 2 is a rear perspective view thereof;
FIG. 3 is a front elevational view thereof;
FIG. 4 is a left side view thereof;
FIG. 5 is a rear view thereof;
FIG. 6 is a right side view thereof; and,
FIG. 7 is a top plan view thereof.

1 Claim, 4 Drawing Sheets



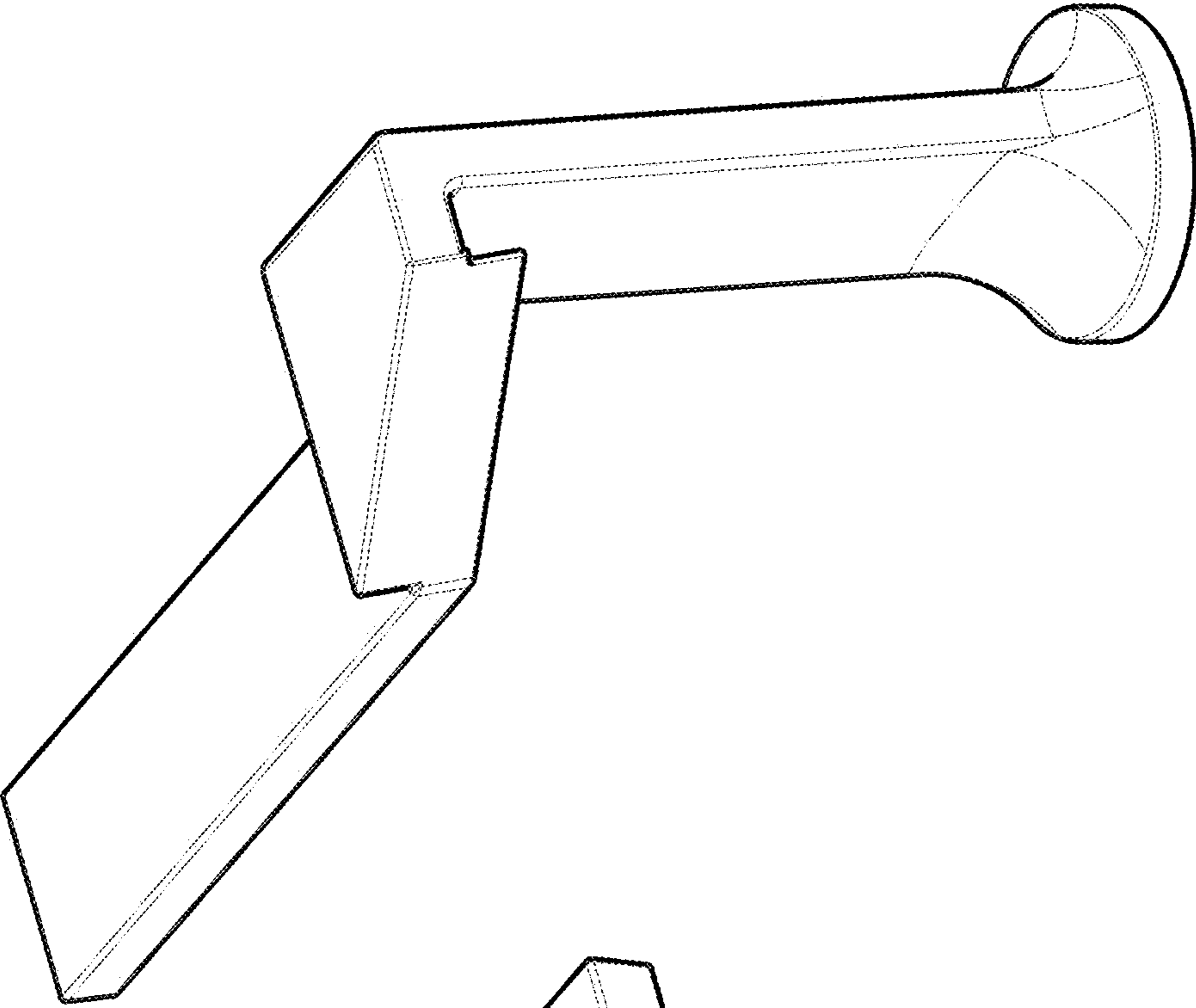


Fig. 1

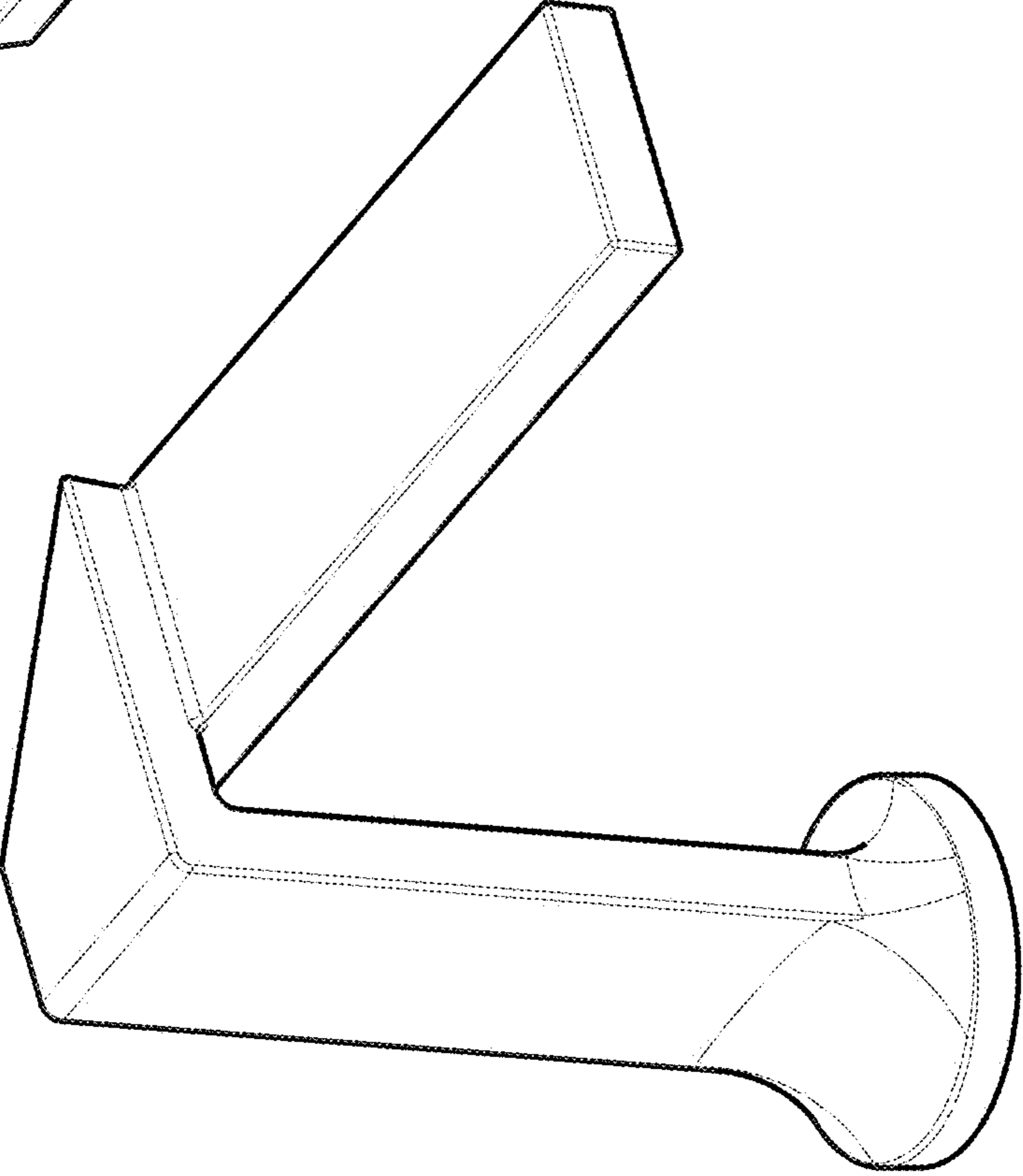


Fig. 2

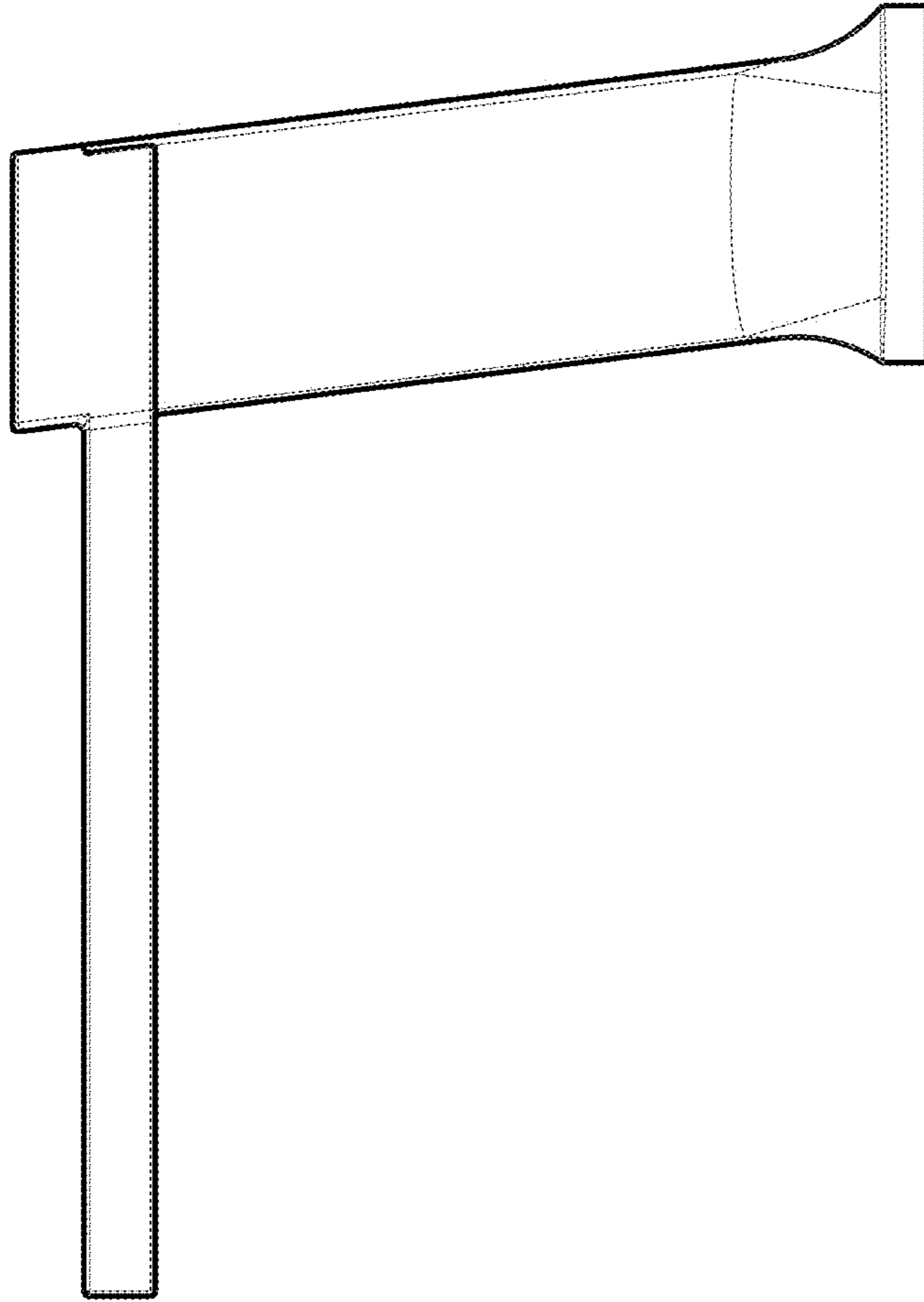


Fig. 4

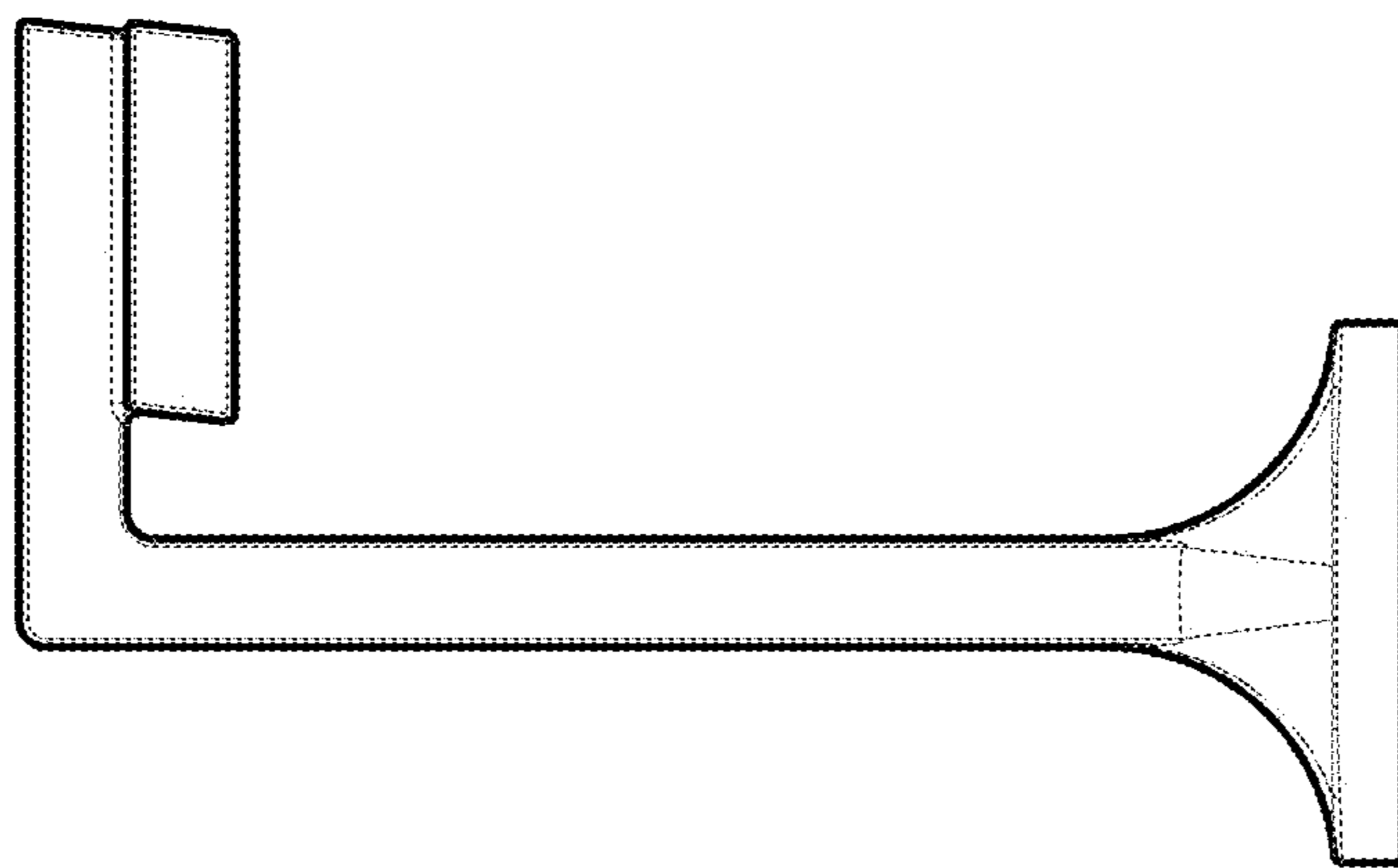


Fig. 3

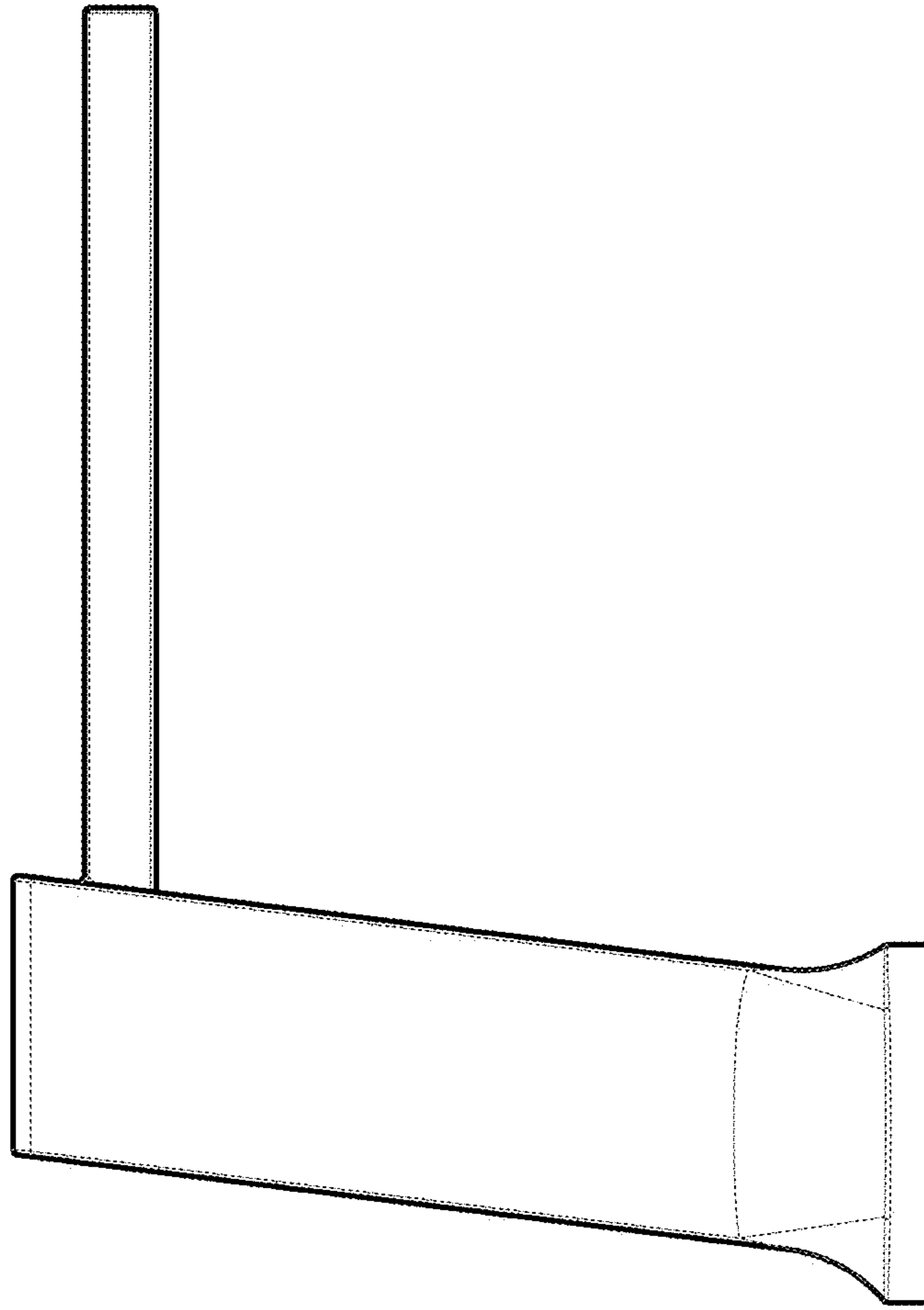


Fig. 5

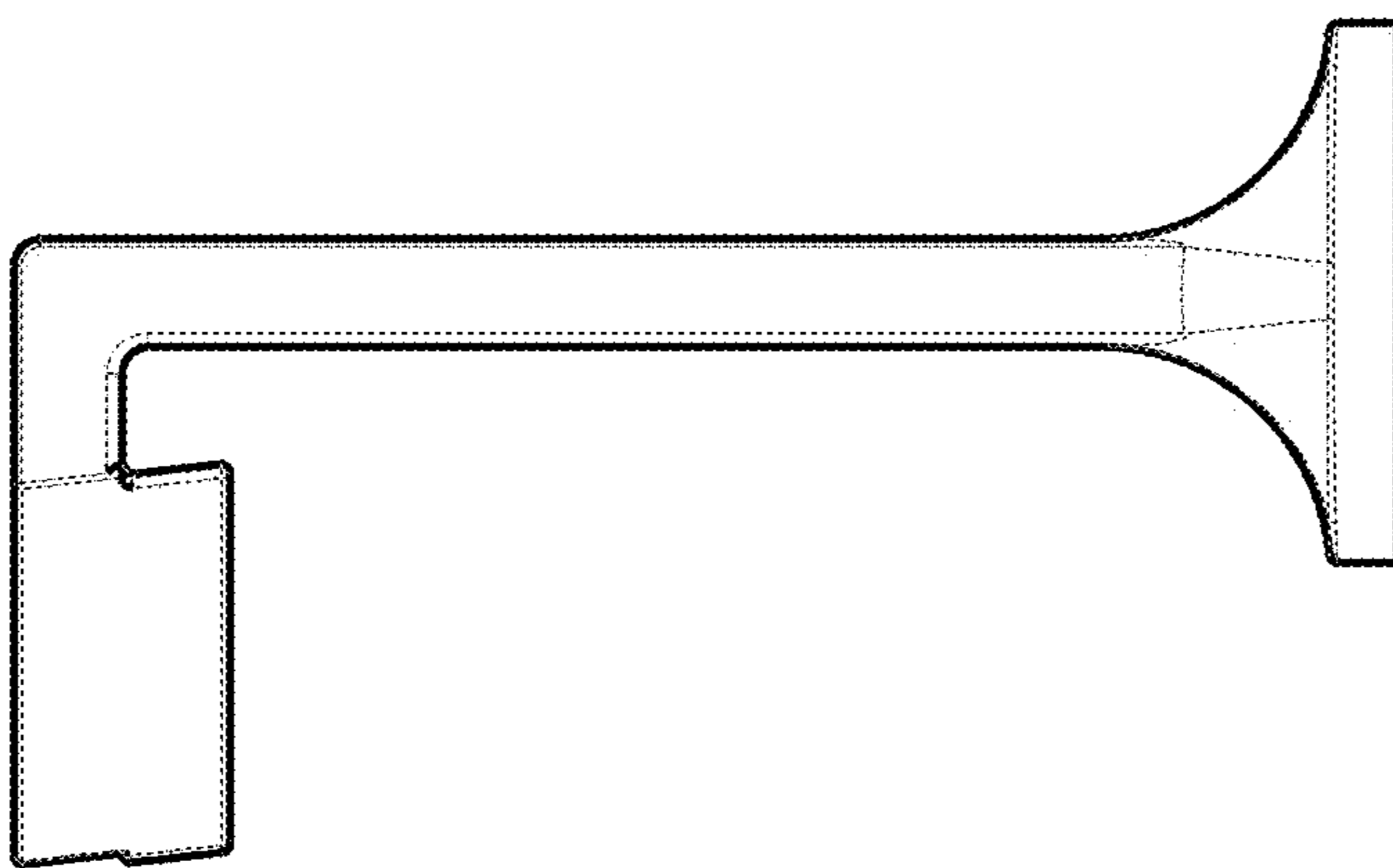


Fig. 6

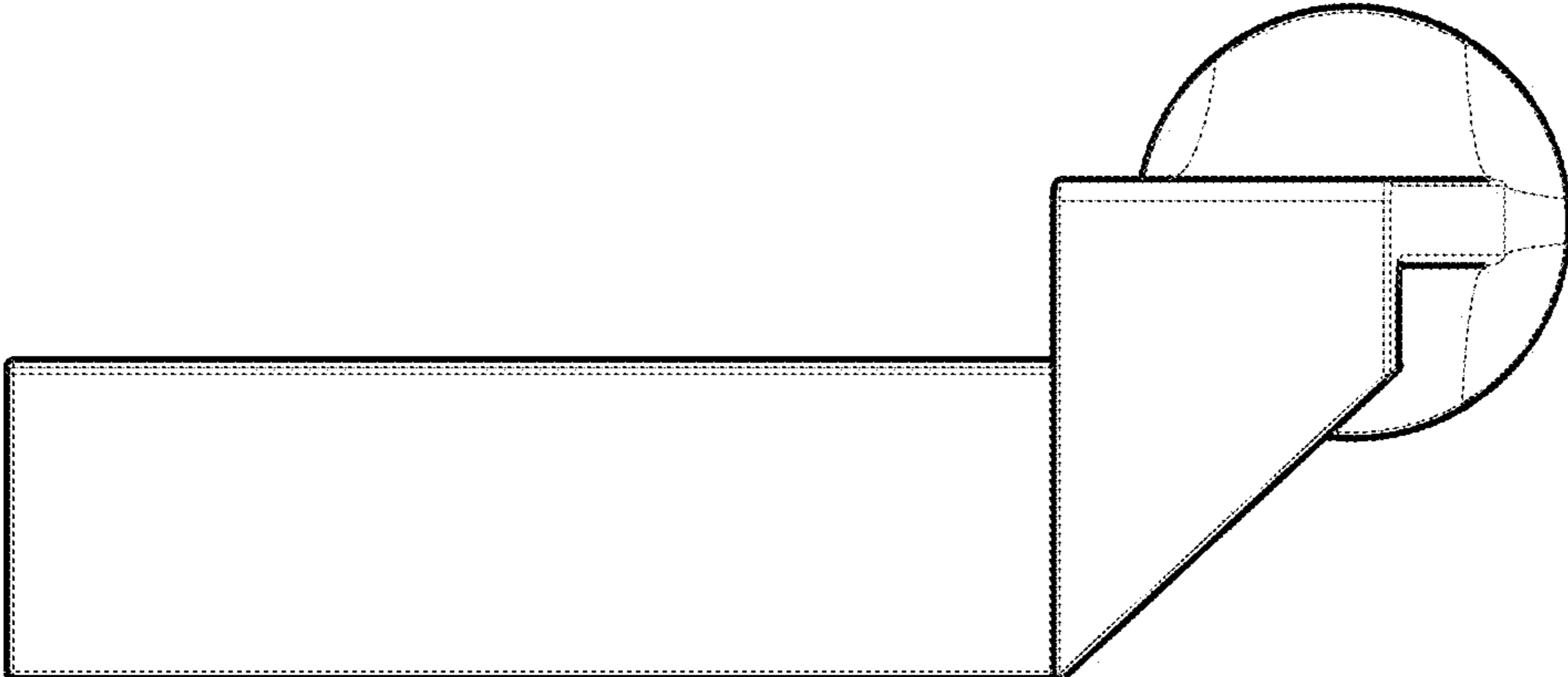


Fig. 7