



US00D879917S

(12) **United States Design Patent**  
**Eads**

(10) **Patent No.:** **US D879,917 S**  
(45) **Date of Patent:** **\*\* Mar. 31, 2020**

(54) **FAUCET HANDLE**  
(71) Applicant: **DELTA FAUCET COMPANY,**  
Indianapolis, IN (US)  
(72) Inventor: **Thad Eads,** Urbana, IN (US)  
(73) Assignee: **DELTA FAUCET COMPANY,**  
Indianapolis, IN (US)

D522,104 S \* 5/2006 Hoernig ..... D23/252  
D522,634 S \* 6/2006 Hoernig ..... D23/252  
D566,815 S \* 4/2008 Wang ..... D23/242  
D621,006 S \* 8/2010 Cummings ..... D23/238  
D636,463 S \* 4/2011 Kulig ..... D23/238  
D648,828 S \* 11/2011 Meyer ..... D23/252  
D648,832 S \* 11/2011 Downey ..... D23/252  
D676,115 S \* 2/2013 Lord ..... D23/252  
D815,254 S \* 4/2018 Garland ..... D23/253

\* cited by examiner

(\*\*) Term: **15 Years**

*Primary Examiner* — Sheryl Lane

*Assistant Examiner* — Samantha N Wood

(21) Appl. No.: **29/642,198**

(74) *Attorney, Agent, or Firm* — Edgar A. Zarins; Nirav D. Parikh

(22) Filed: **Mar. 28, 2018**

(51) **LOC (12) Cl.** ..... **23-01**

(57) **CLAIM**

(52) **U.S. Cl.**  
USPC ..... **D23/252**

The ornamental design for a faucet handle, as shown and described.

(58) **Field of Classification Search**  
USPC ..... D23/238, 239, 240, 241, 242, 243, 249,  
D23/250, 252, 253; D8/350, 352, 307  
CPC ..... Y10T 137/9464; Y10T 137/6014; Y10T  
137/776; Y10T 137/0491; E03C 1/02;  
E03C 1/04; E03C 1/0412  
See application file for complete search history.

**DESCRIPTION**

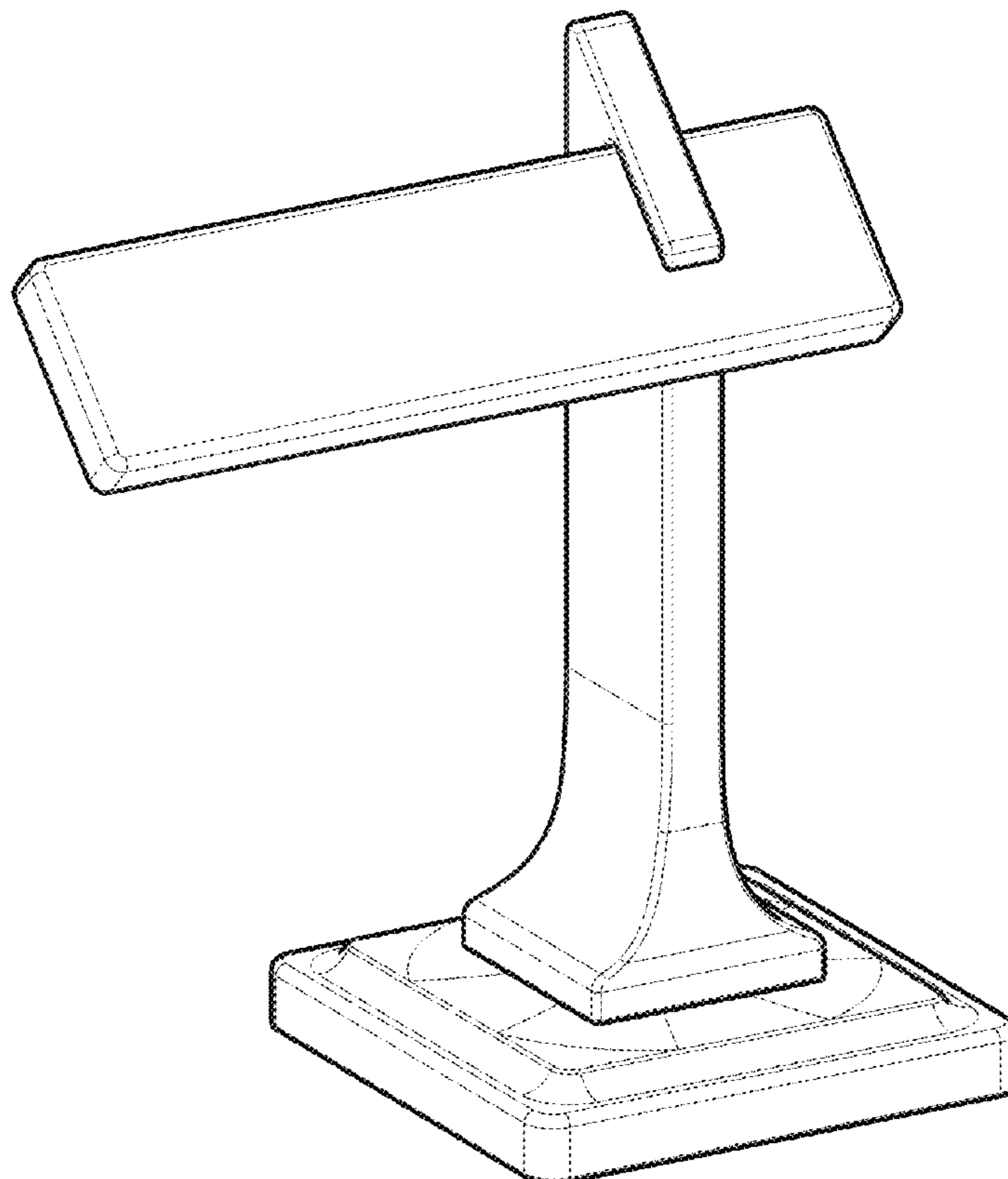
FIG. 1 is a first perspective view of a faucet handle showing my new design;  
FIG. 2 is a second perspective view thereof;  
FIG. 3 is a first side view thereof;  
FIG. 4 is a left side view thereof;  
FIG. 5 is a second side view thereof;  
FIG. 6 is a right side view thereof;  
FIG. 7 is a top plan view thereof; and,  
FIG. 8 is a bottom plan view thereof.

(56) **References Cited**

**U.S. PATENT DOCUMENTS**

D301,275 S \* 5/1989 Paul ..... D23/242  
D325,427 S \* 4/1992 Paul ..... D23/252

**1 Claim, 4 Drawing Sheets**



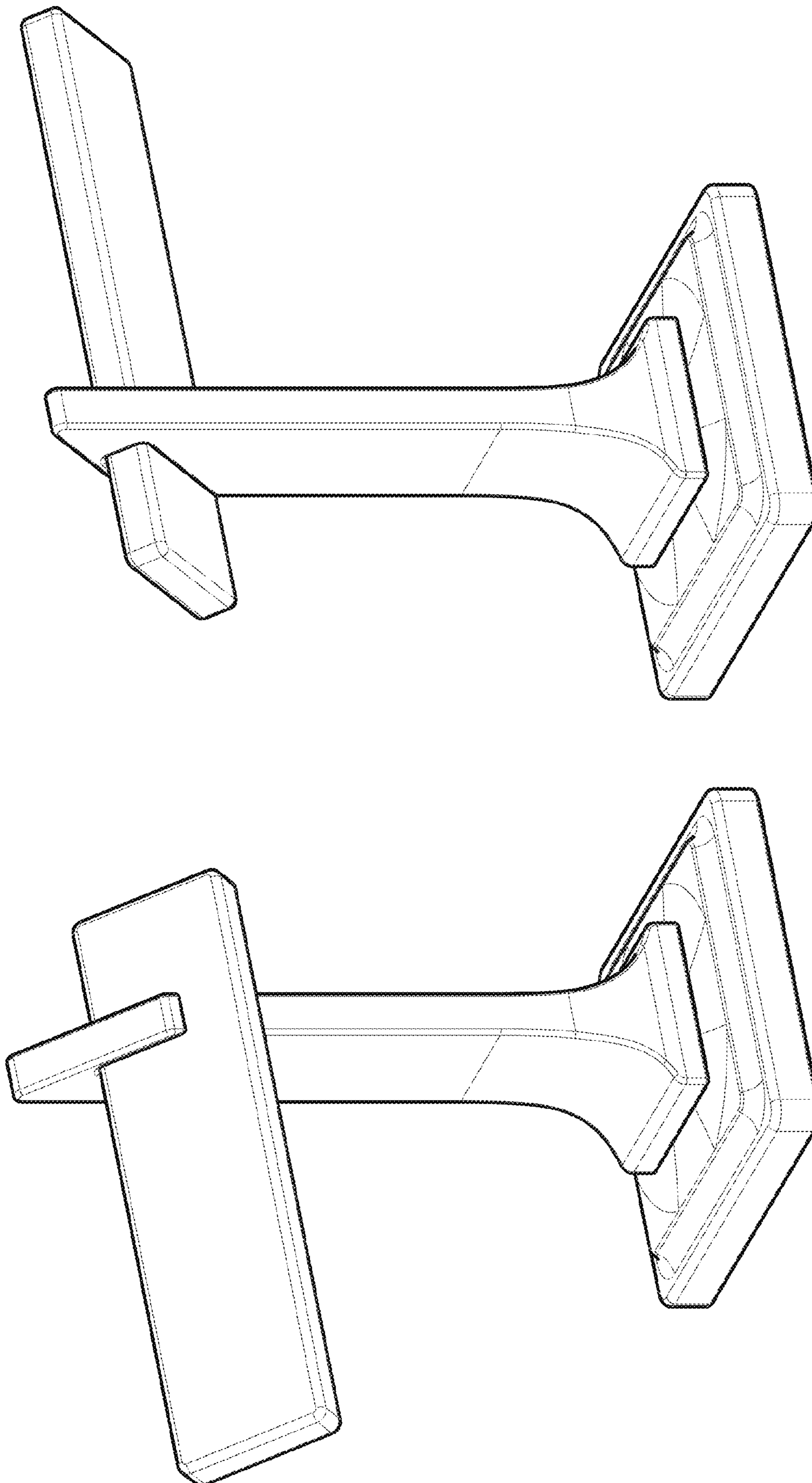


Fig. 2

Fig. 1

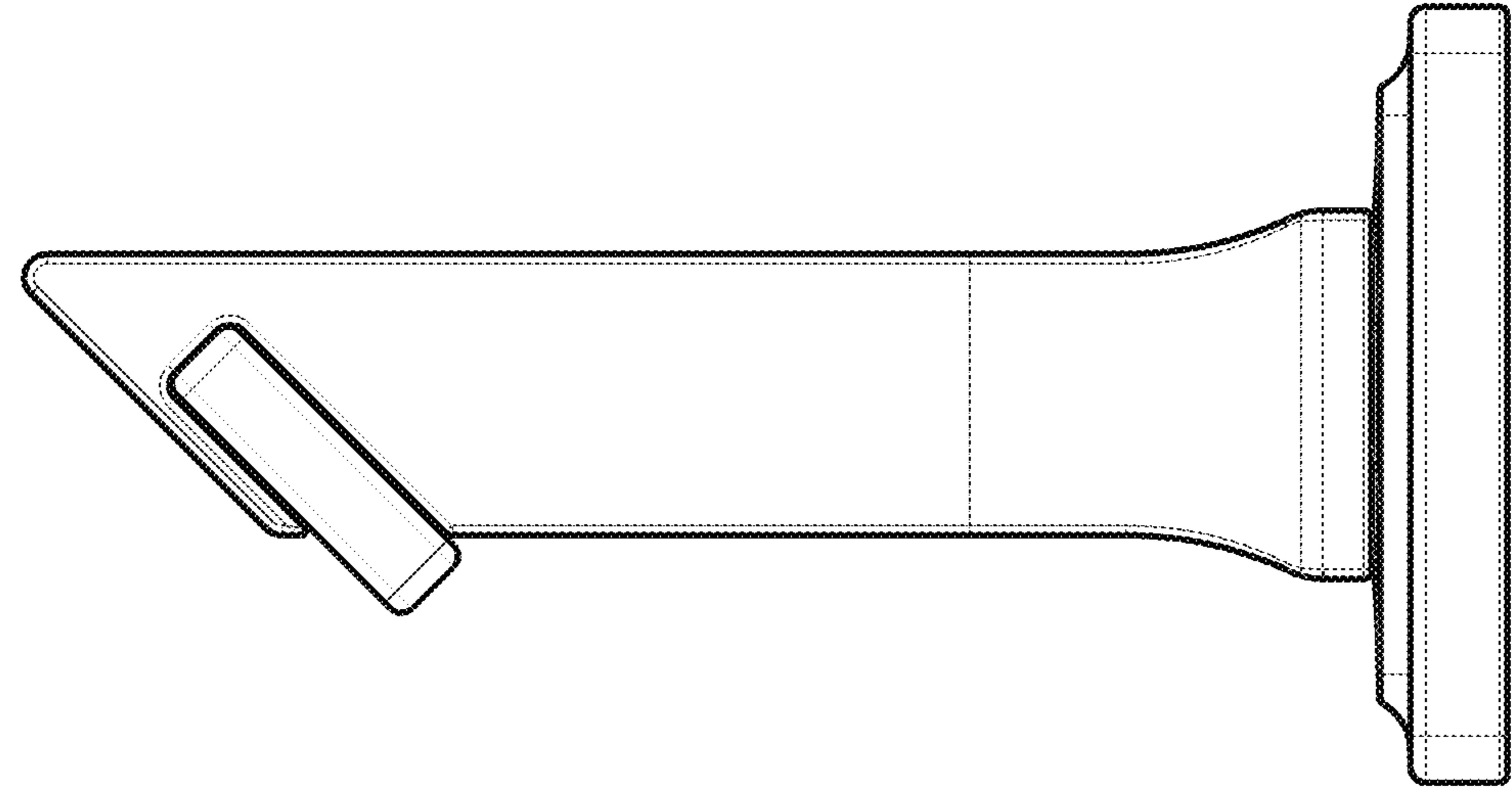


Fig. 4

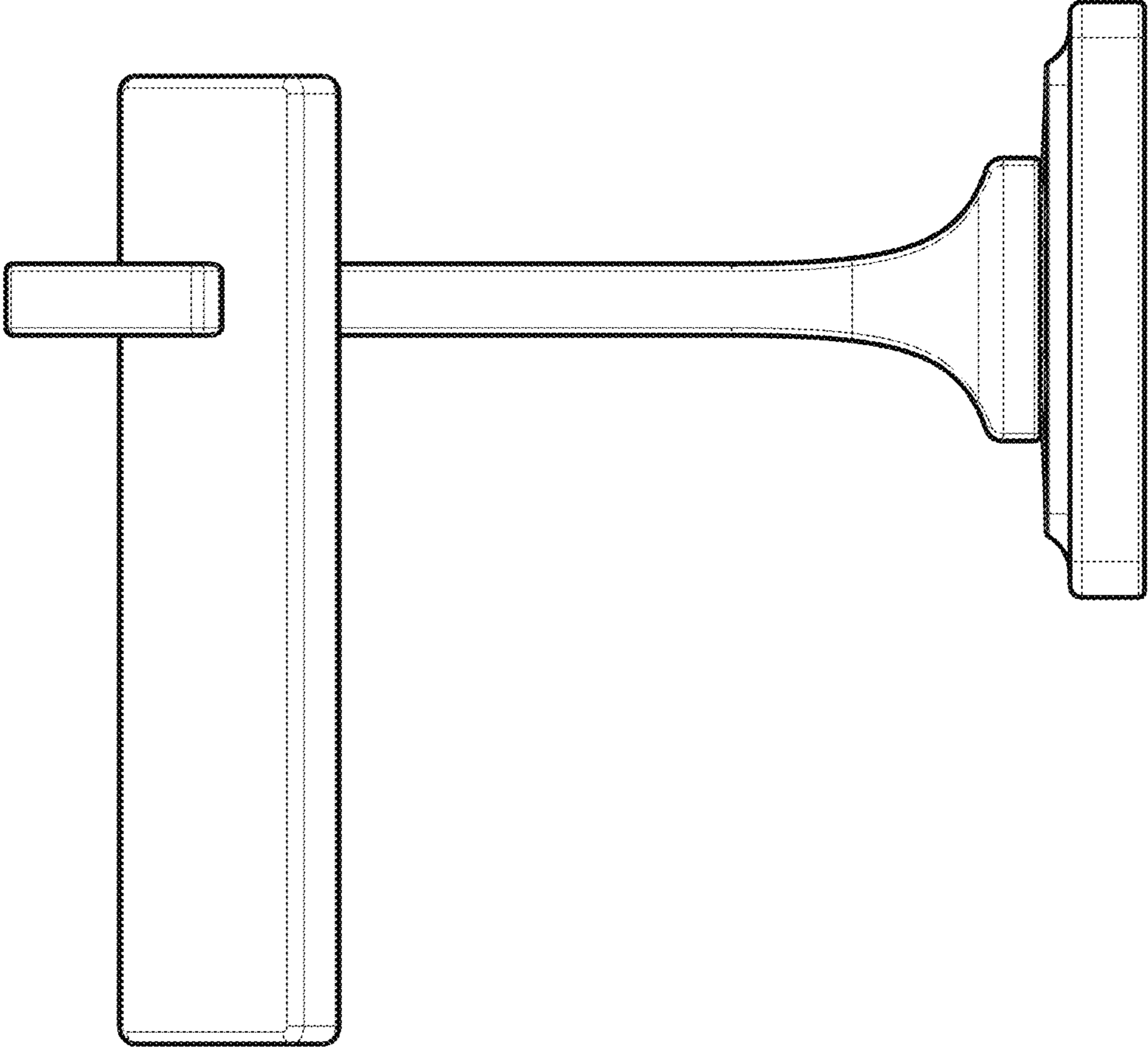


Fig. 3

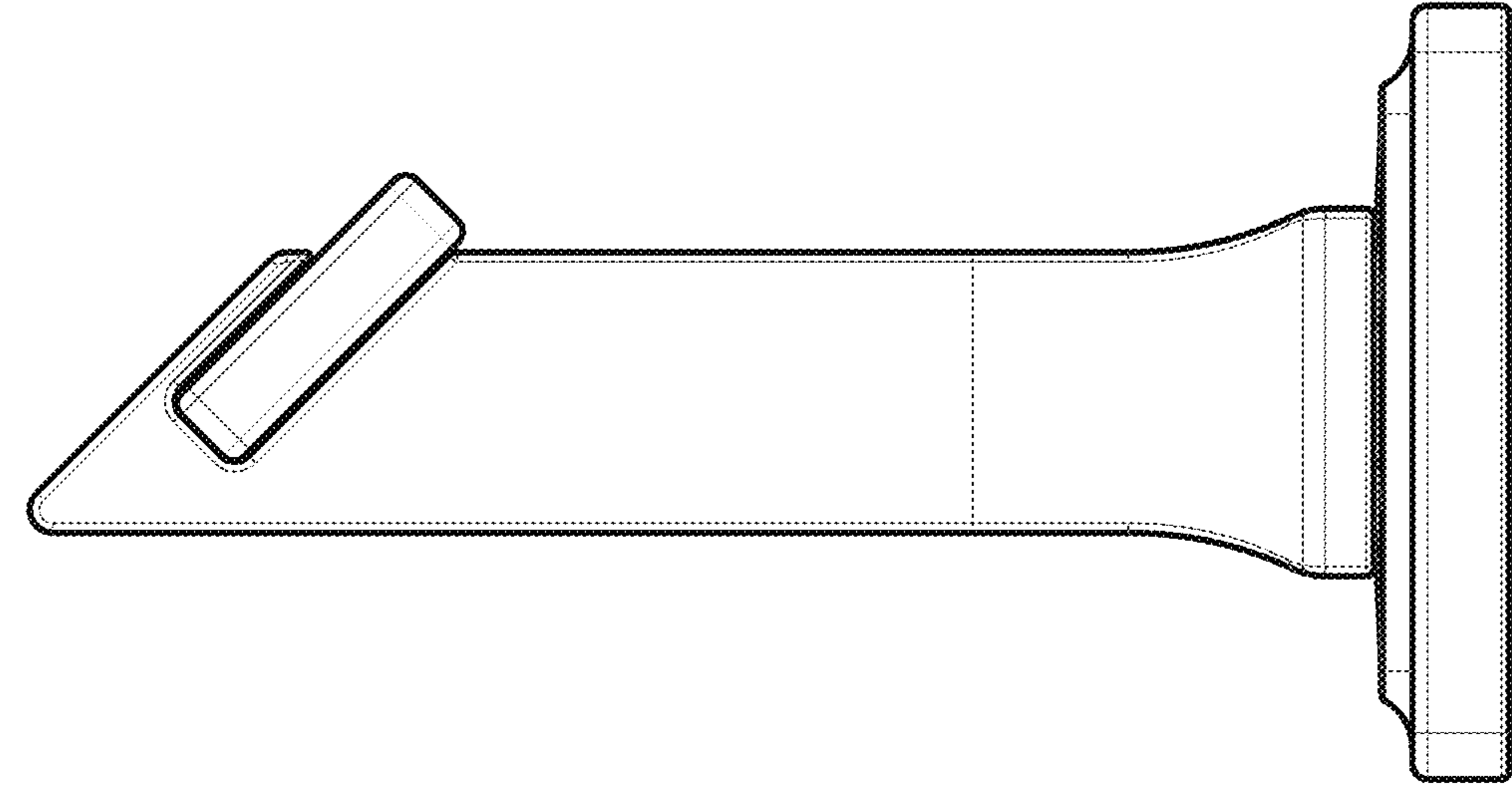


Fig. 5

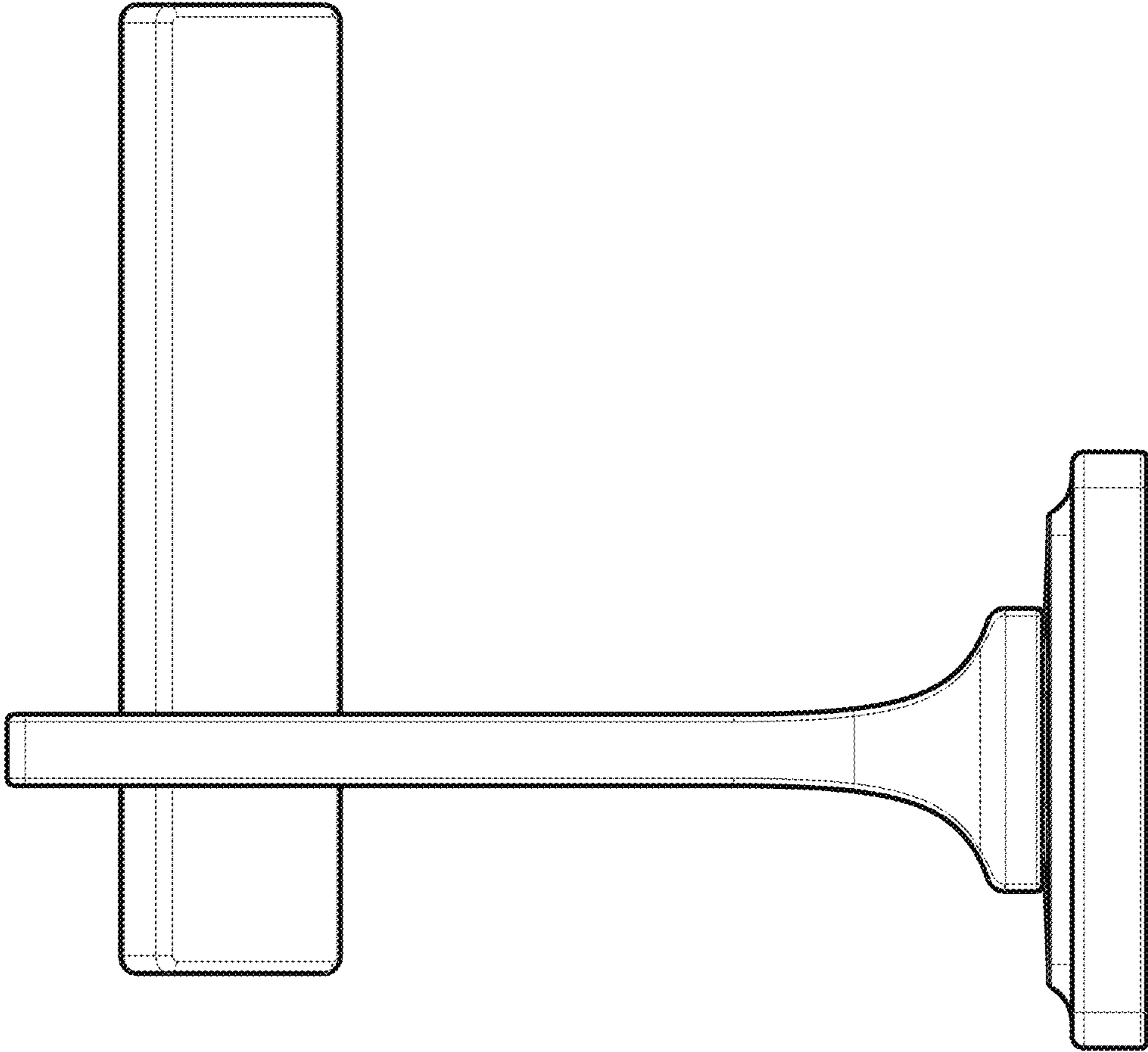


Fig. 6

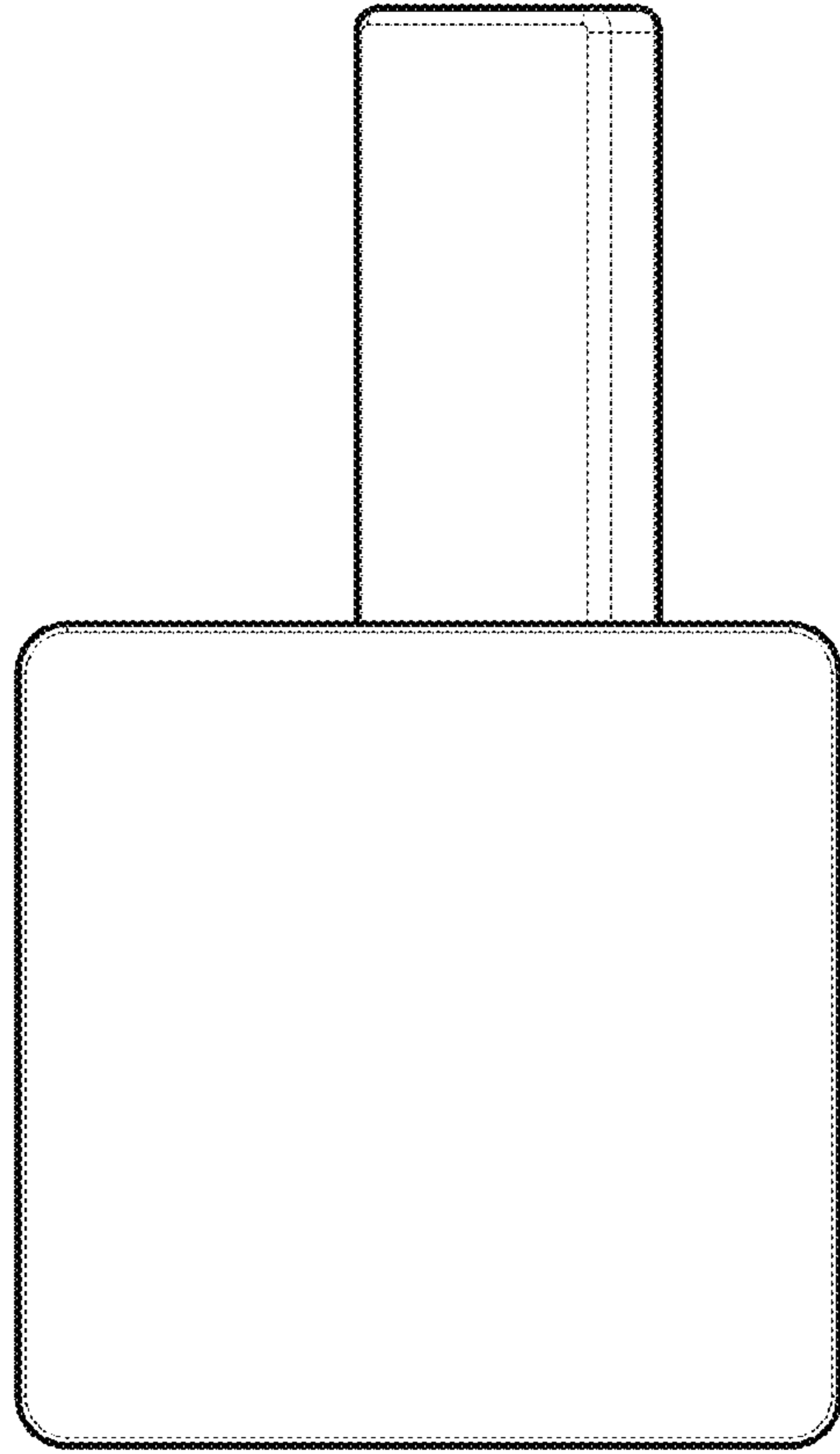


Fig. 8

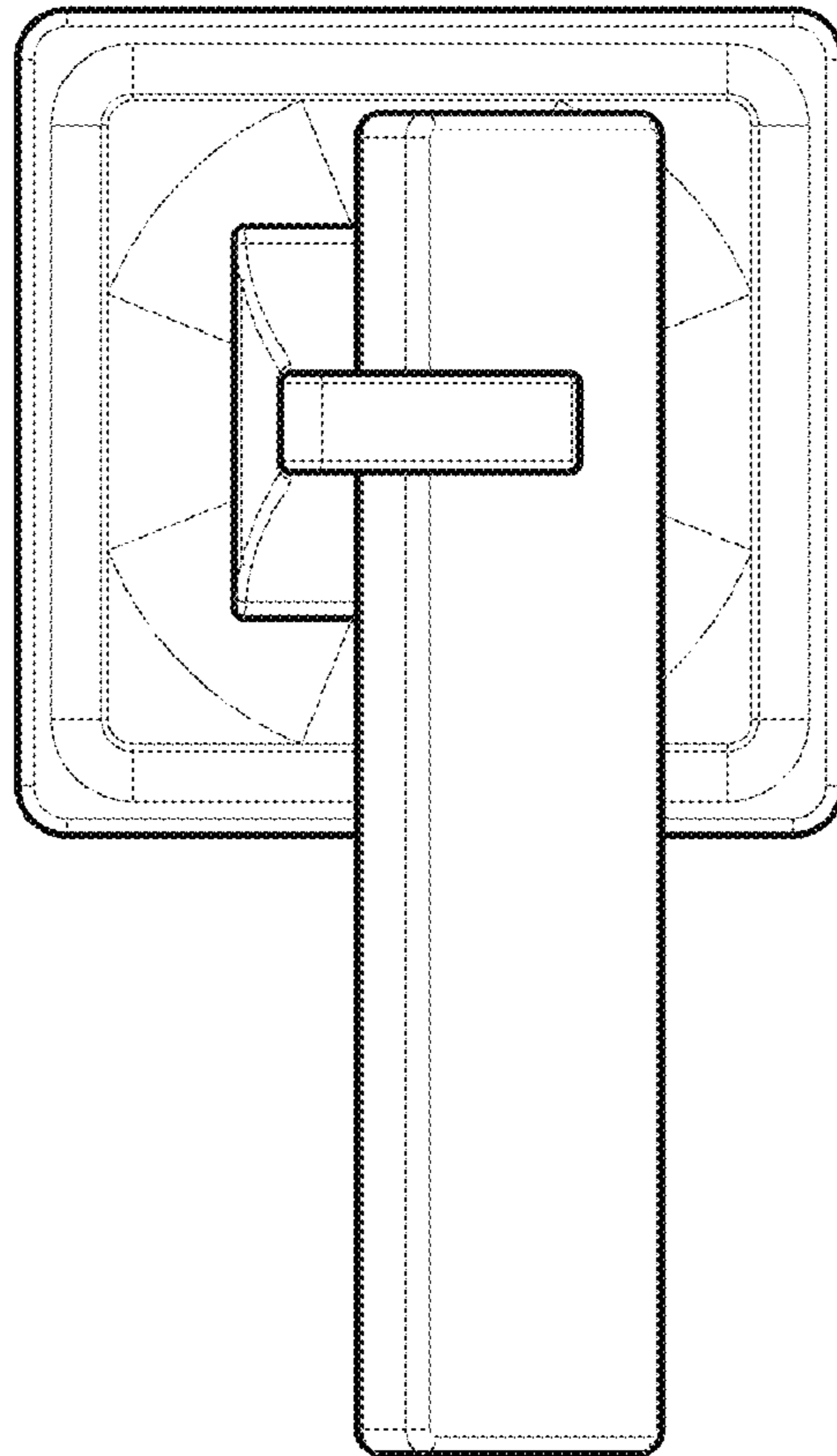


Fig. 7