



US00D879916S

(12) **United States Design Patent**
Stoler

(10) **Patent No.:** **US D879,916 S**

(45) **Date of Patent:** **** Mar. 31, 2020**

(54) **FAUCET HANDLE**

(71) Applicant: **DELTA FAUCET COMPANY,**
Indianapolis, IN (US)

(72) Inventor: **Benjamin David Stoler,** Carmel, IN
(US)

(73) Assignee: **DELTA FAUCET COMPANY,**
Indianapolis, IN (US)

(**) Term: **15 Years**

(21) Appl. No.: **29/641,810**

(22) Filed: **Mar. 26, 2018**

(51) **LOC (12) Cl.** **23-01**

(52) **U.S. Cl.**
USPC **D23/252**

(58) **Field of Classification Search**
USPC D23/238–240, 241–245, 249, 250–254,
D23/255, 257, 309; D8/300, 307, 308;
D7/394, 622, 395, 545, 398
CPC Y10T 137/9464
See application file for complete search history.

(56) **References Cited**

U.S. PATENT DOCUMENTS

D279,597 S * 7/1985 Rademacher D23/250
D329,586 S * 9/1992 Primeau D8/308

D387,855 S * 12/1997 Spangler D23/252
D587,786 S * 3/2009 Williams D23/252
D607,088 S * 12/2009 Lammel D23/242
D631,137 S * 1/2011 Ke D23/252
D706,905 S * 6/2014 Flowers D23/252
D787,022 S * 5/2017 Lopez D23/254
D796,641 S * 9/2017 Liao D23/252

* cited by examiner

Primary Examiner — Sheryl Lane

Assistant Examiner — Samantha N Wood

(74) *Attorney, Agent, or Firm* — Edgar A. Zarins; Nirav
D. Parikh

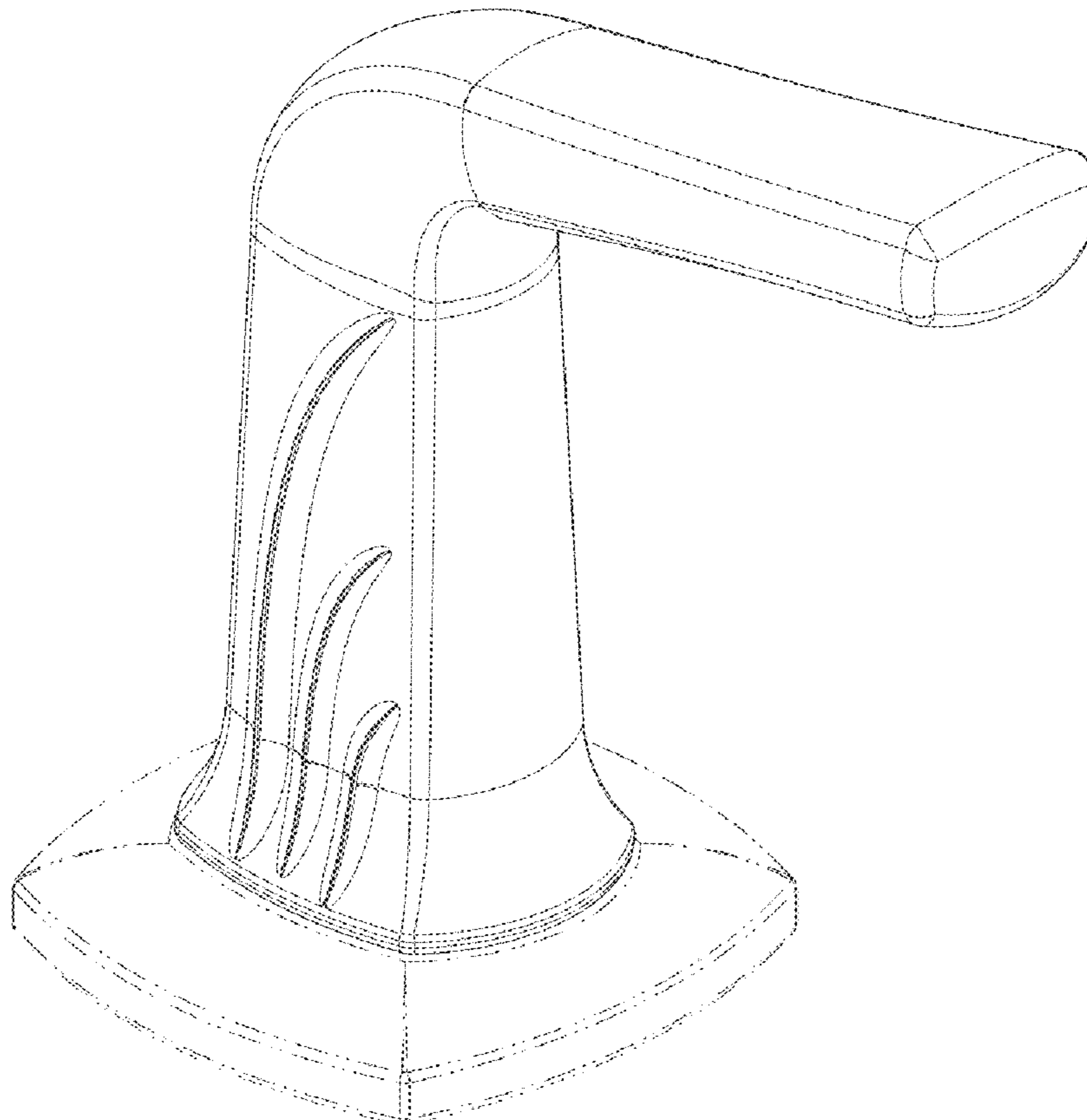
(57) **CLAIM**

The ornamental design for a faucet handle, as shown and
described.

DESCRIPTION

FIG. 1 is a first perspective view of a faucet handle showing
my new design;
FIG. 2 is a second perspective view thereof;
FIG. 3 is a front elevational view thereof;
FIG. 4 is a first side view thereof;
FIG. 5 is a rear view thereof;
FIG. 6 is a second side view thereof; and,
FIG. 7 is a top plan view thereof.
Portions of the article shown in broken lines form no part of
the claimed design.

1 Claim, 4 Drawing Sheets



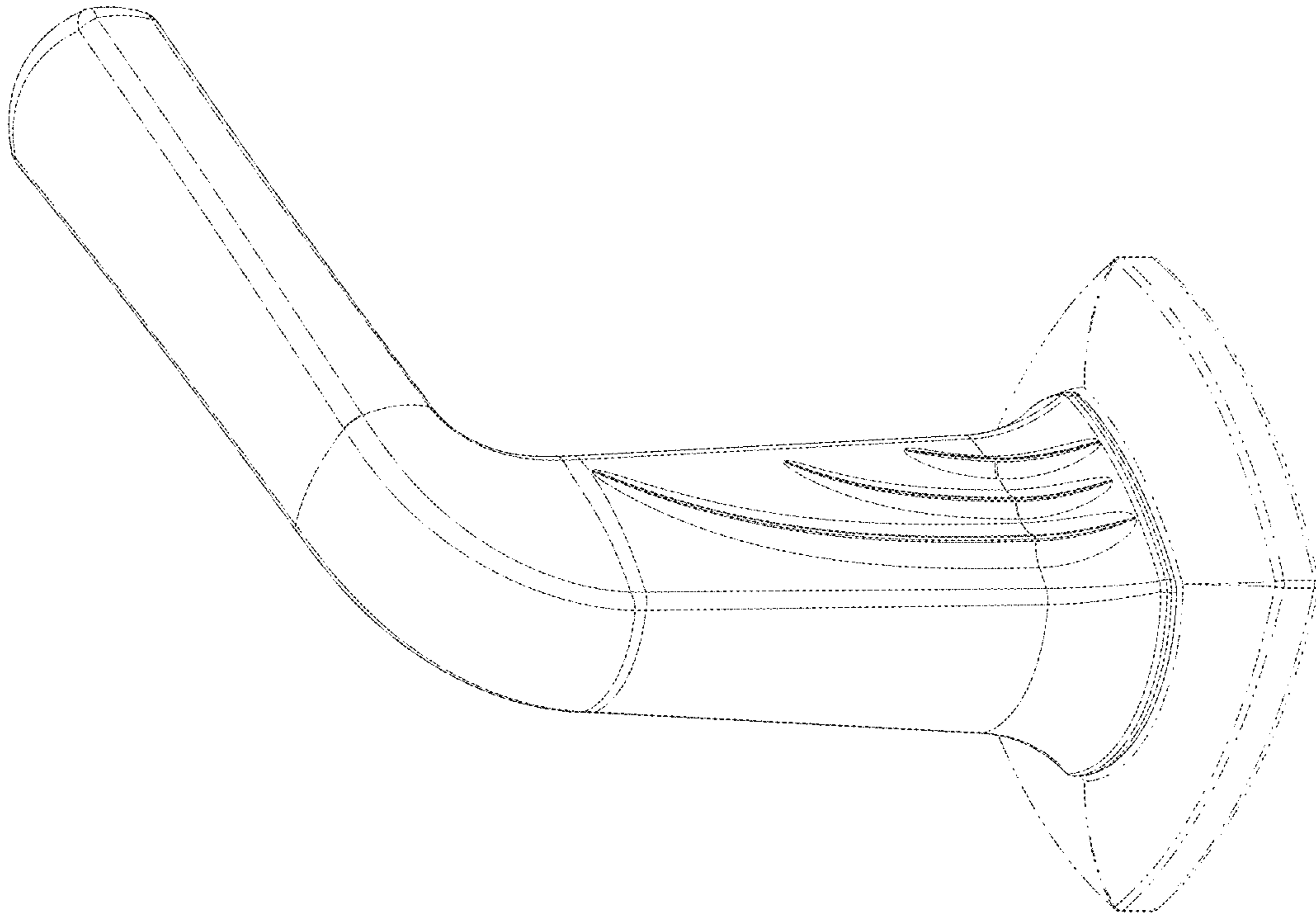


FIG - 2

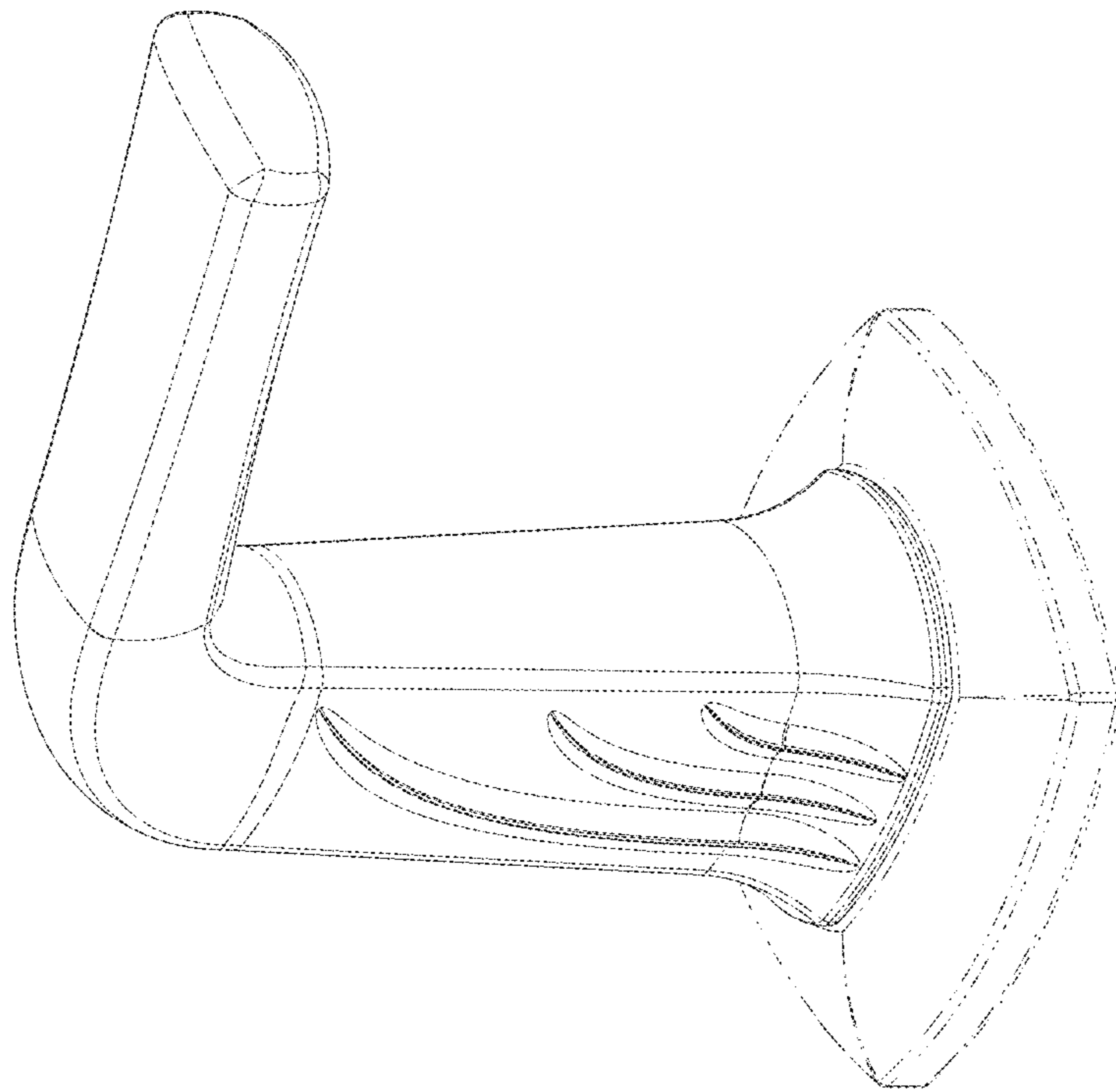


FIG - 1

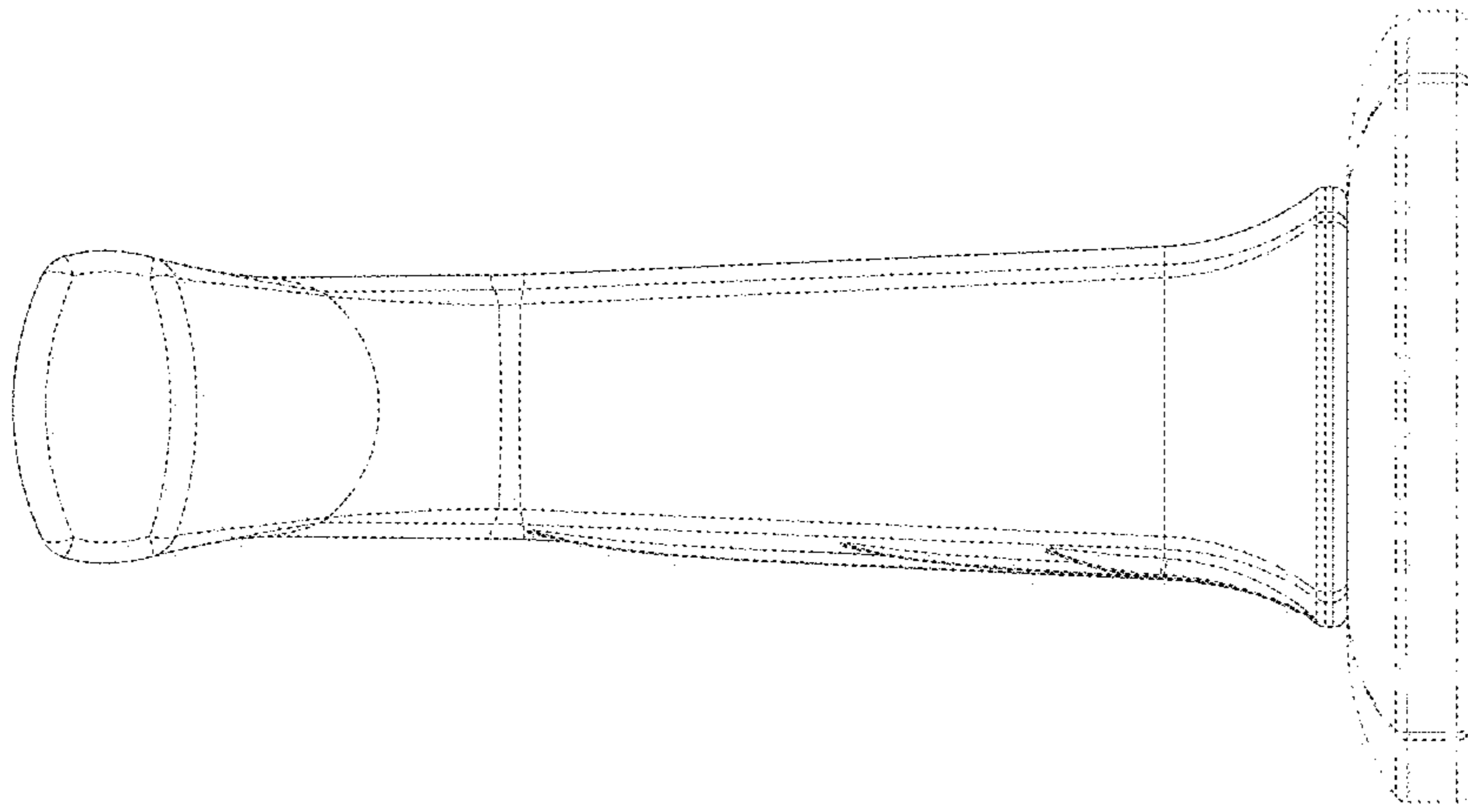


FIG - 4

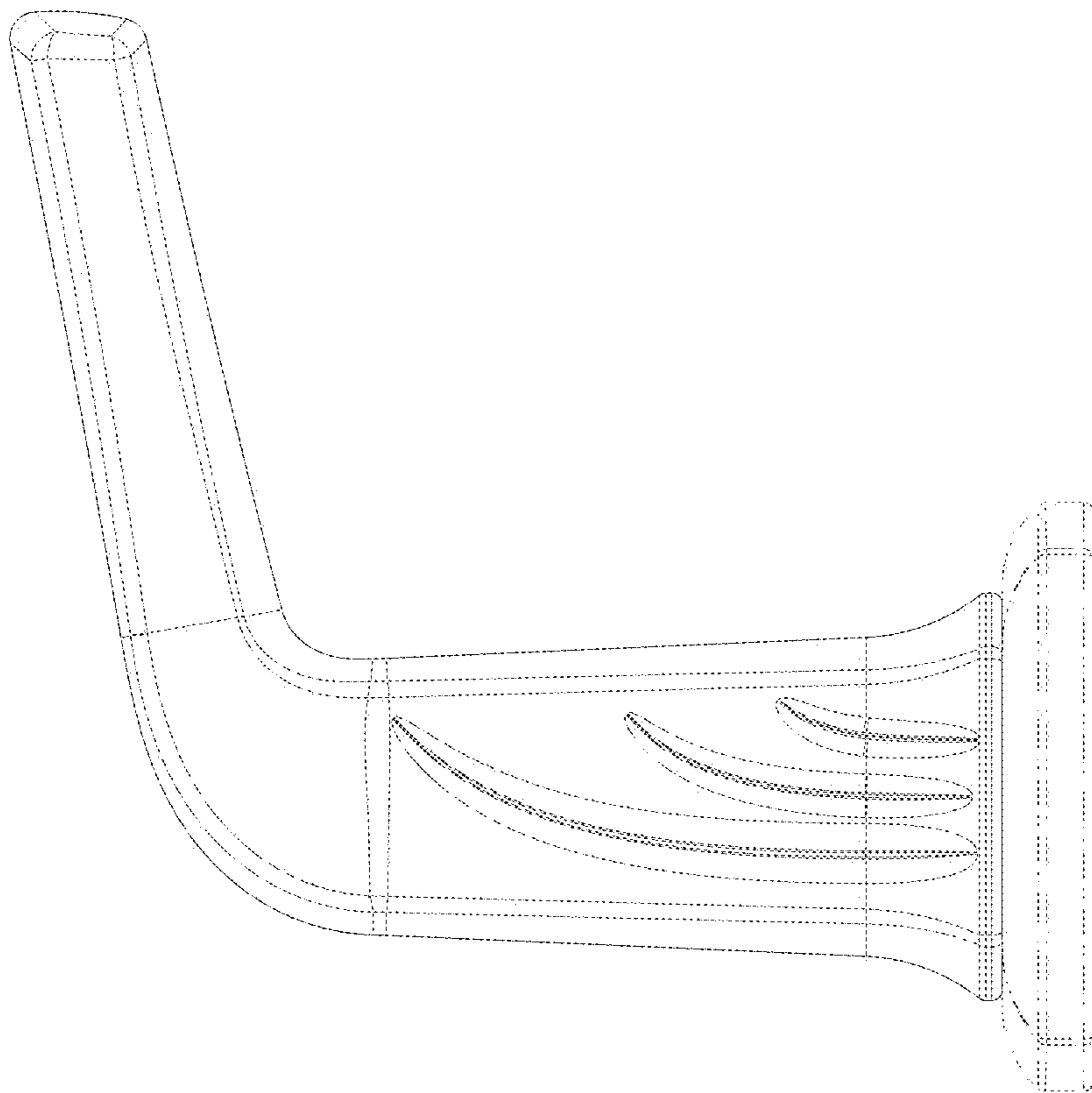


FIG - 3

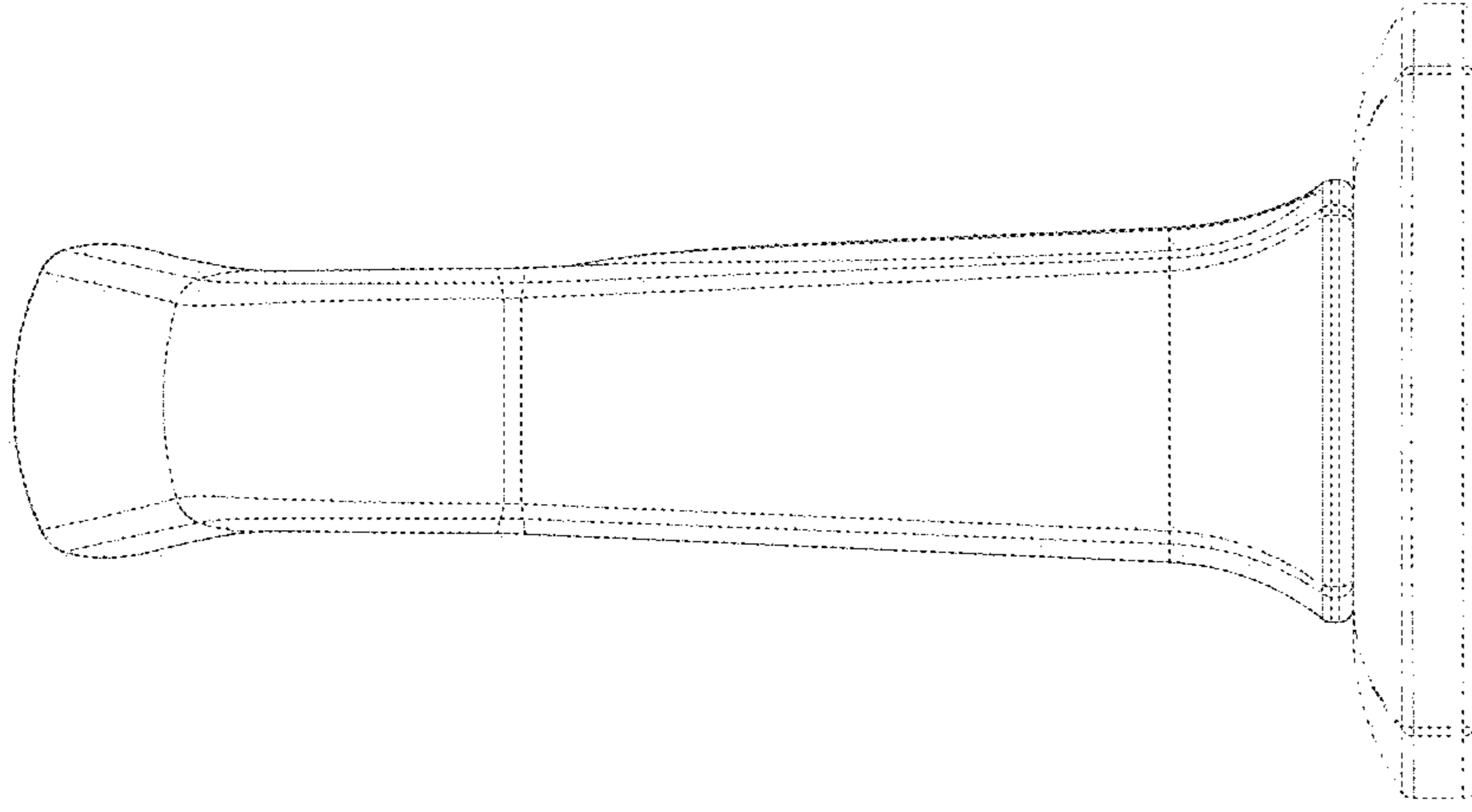


FIG - 6

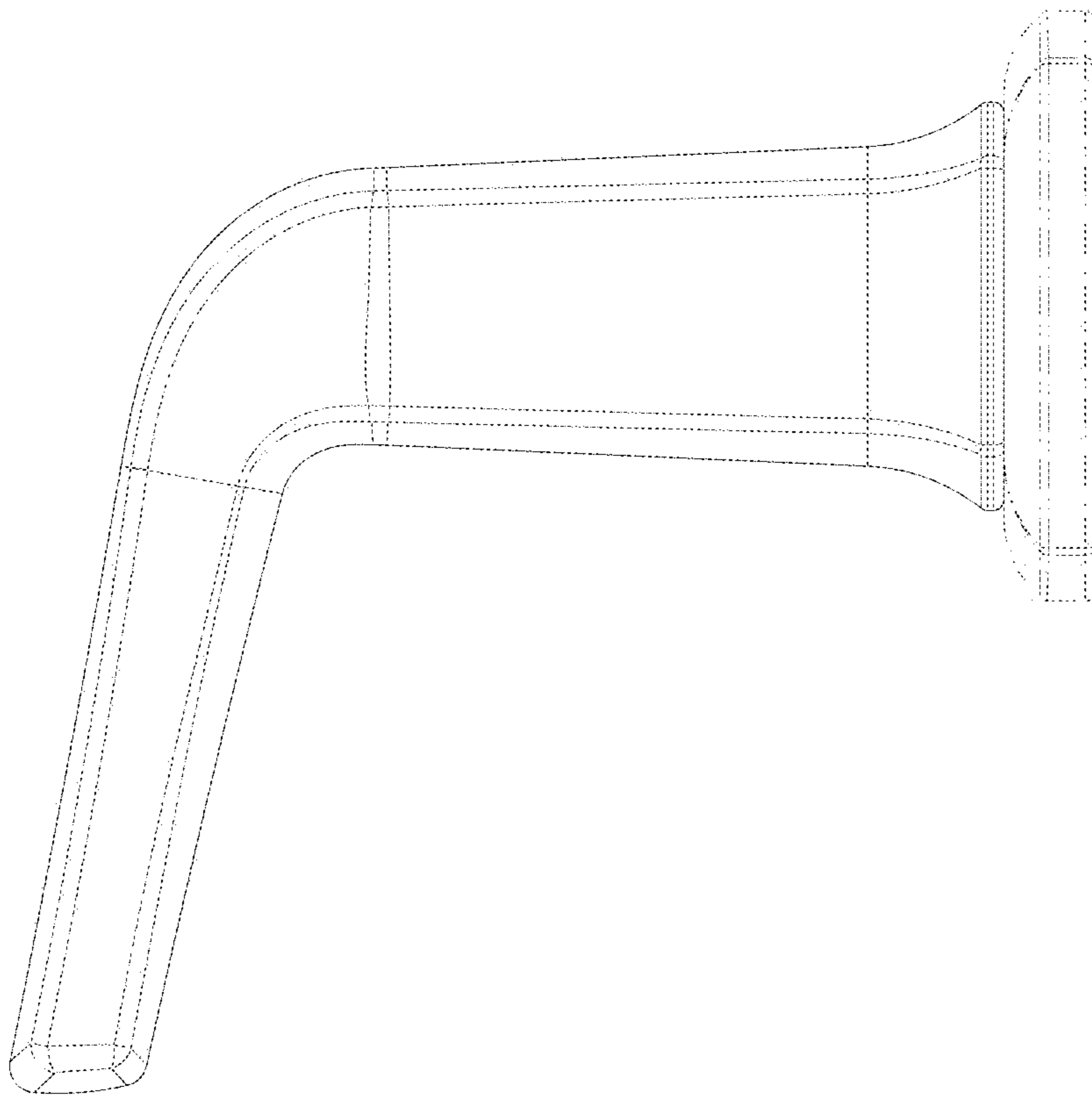


FIG - 5

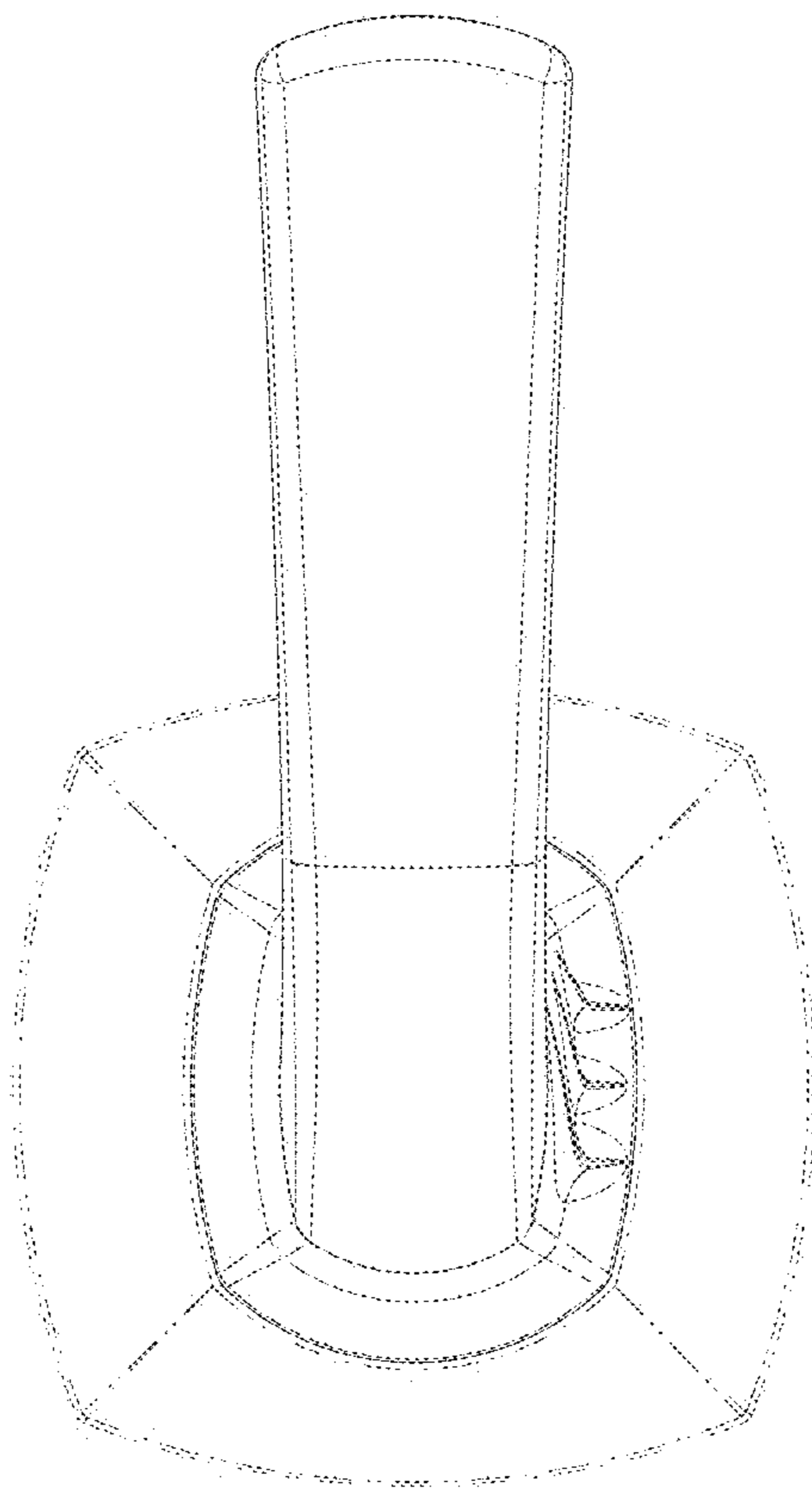


FIG - 7