



US00D879915S

(12) **United States Design Patent**  
**Garland**

(10) **Patent No.:** **US D879,915 S**

(45) **Date of Patent:** **\*\* Mar. 31, 2020**

(54) **FAUCET HANDLE**

(71) Applicant: **DELTA FAUCET COMPANY,**  
Indianapolis, IN (US)

(72) Inventor: **Celine Kwok Garland,** Zionsville, IN  
(US)

(73) Assignee: **DELTA FAUCET COMPANY,**  
Indianapolis, IN (US)

(\*\*) Term: **15 Years**

(21) Appl. No.: **29/632,967**

(22) Filed: **Jan. 11, 2018**

(51) **LOC (12) Cl.** ..... **23-01**

(52) **U.S. Cl.**  
USPC ..... **D23/250**

(58) **Field of Classification Search**  
USPC ..... D23/238–243, 249, 250–251, 252–255,  
D23/257, 309; D8/300, 307, 308  
CPC .... Y10T 137/9464; E03C 1/04; E03C 1/0412  
See application file for complete search history.

(56) **References Cited**

U.S. PATENT DOCUMENTS

D72,772 S	*	5/1927	Kipper	.....	D8/307
D203,147 S	*	12/1965	Kaiser	.....	D23/250
D290,493 S	*	6/1987	Dragos	.....	D23/250
D462,418 S	*	9/2002	Smith	.....	D23/238
D484,951 S	*	1/2004	Lin	.....	D23/252
D524,916 S	*	7/2006	Schaffeld	.....	D23/241

D570,455 S	*	6/2008	Dolan	.....	D23/250
D574,064 S	*	7/2008	Hanna	.....	D23/257
D714,913 S	*	10/2014	Smith	.....	D23/250
D728,343 S	*	5/2015	Han	.....	D8/307

FOREIGN PATENT DOCUMENTS

CN 201530206382 \* 6/2015

\* cited by examiner

*Primary Examiner* — Marissa J Cash

*Assistant Examiner* — Samantha N Wood

(74) *Attorney, Agent, or Firm* — Edgar A. Zarins; Nirav  
D. Parikh

(57) **CLAIM**

The ornamental design for a faucet handle, as shown and described.

**DESCRIPTION**

FIG. 1 is a first perspective view of a faucet handle showing my new design;

FIG. 2 is a second perspective view thereof;

FIG. 3 is a first side view thereof, the opposite side being a mirror image of the side shown;

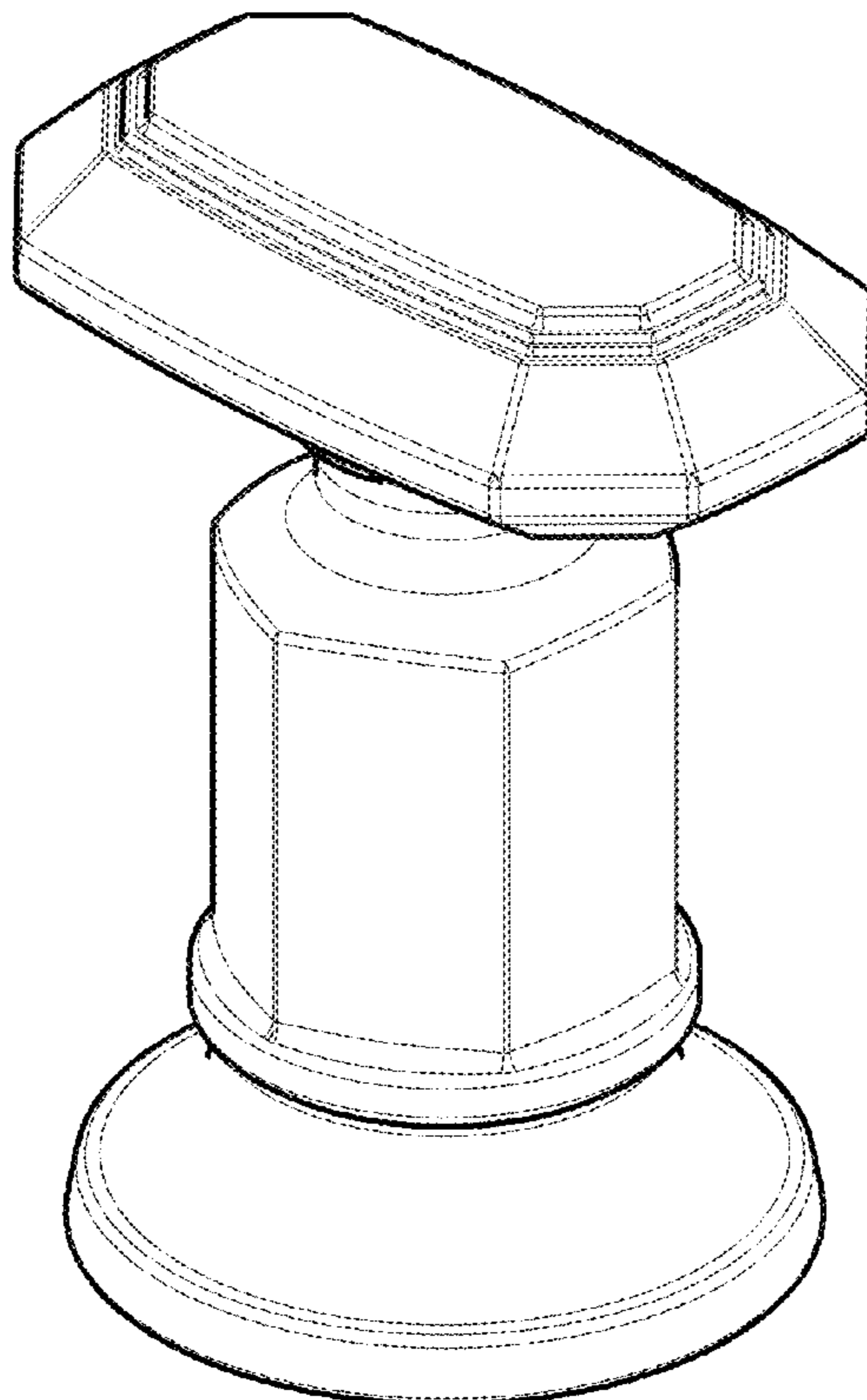
FIG. 4 is a first end view thereof, the opposite end being a mirror image of the end shown;

FIG. 5 is a top plan view thereof; and,

FIG. 6 is a bottom view thereof.

Portions of the article shown in broken lines form no part of the claimed design.

**1 Claim, 3 Drawing Sheets**



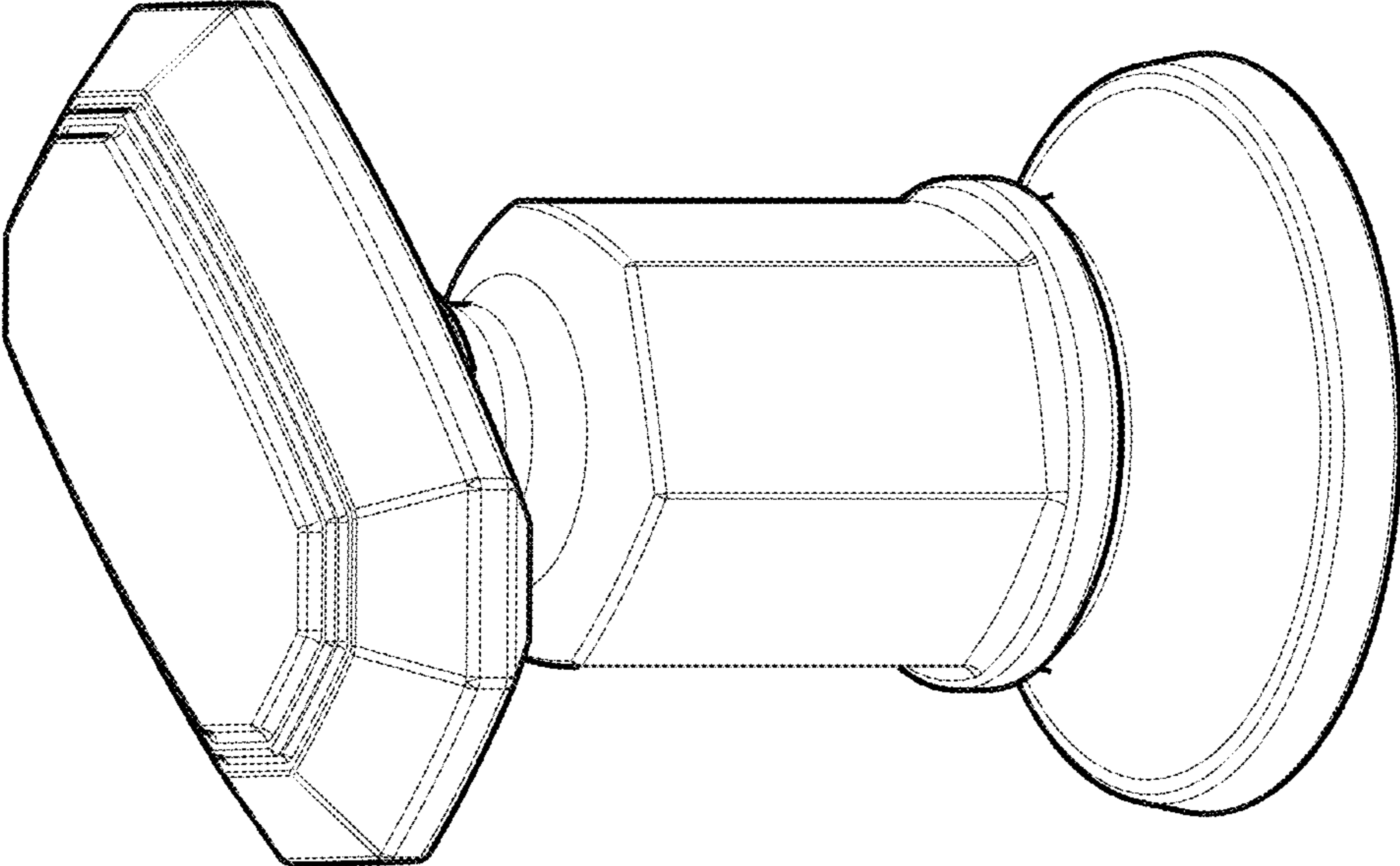


Fig. 2

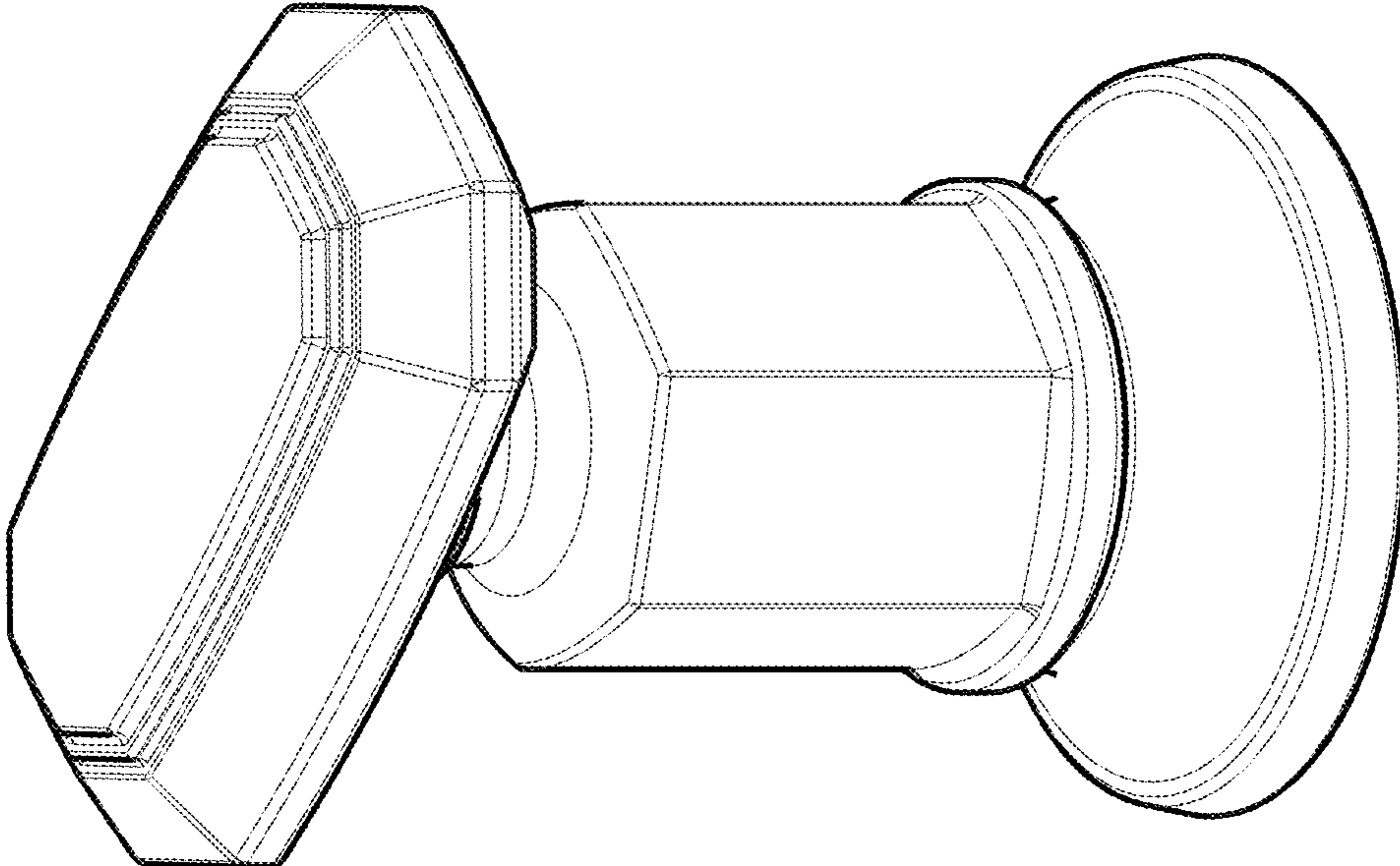


Fig. 1

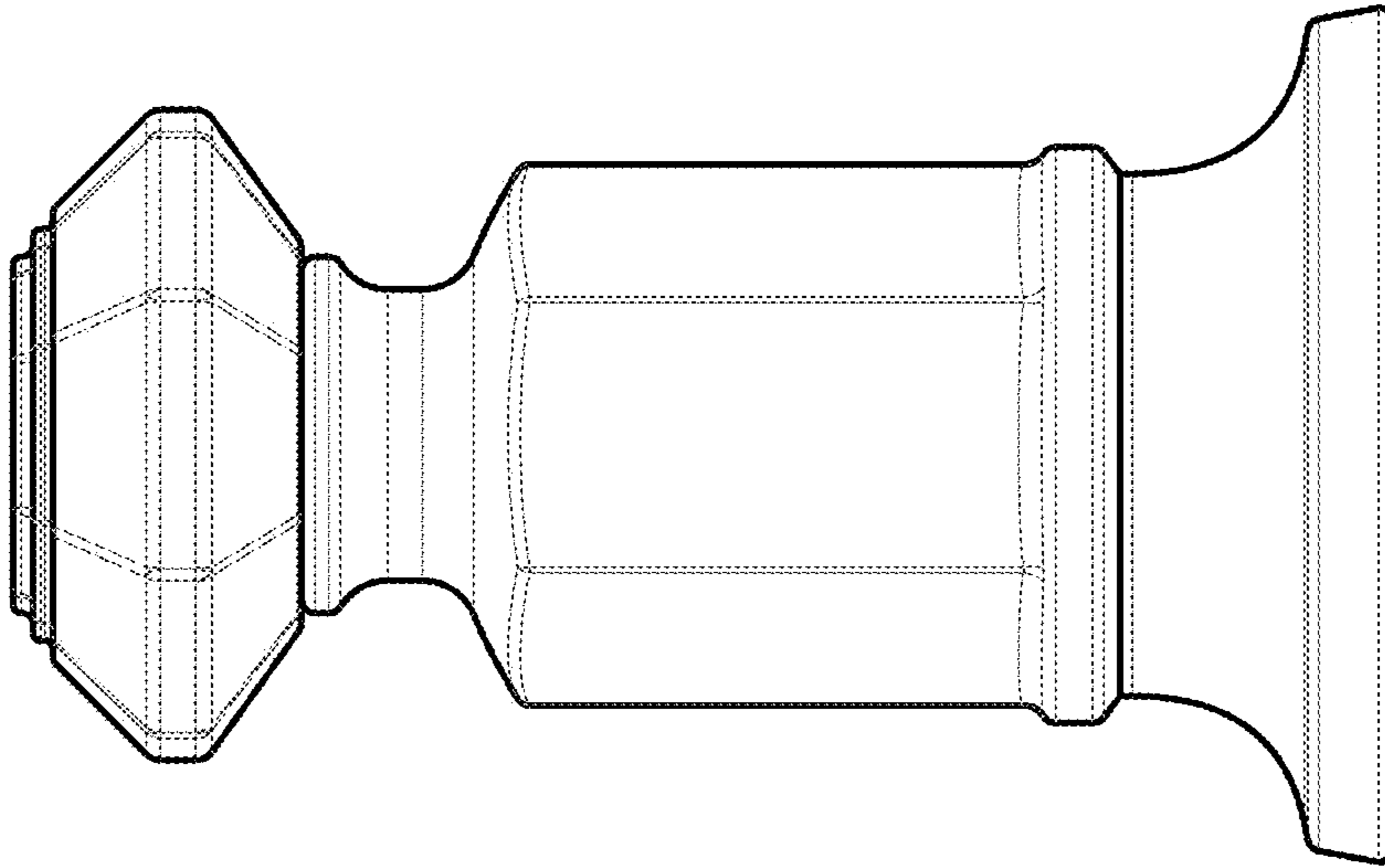


Fig. 4

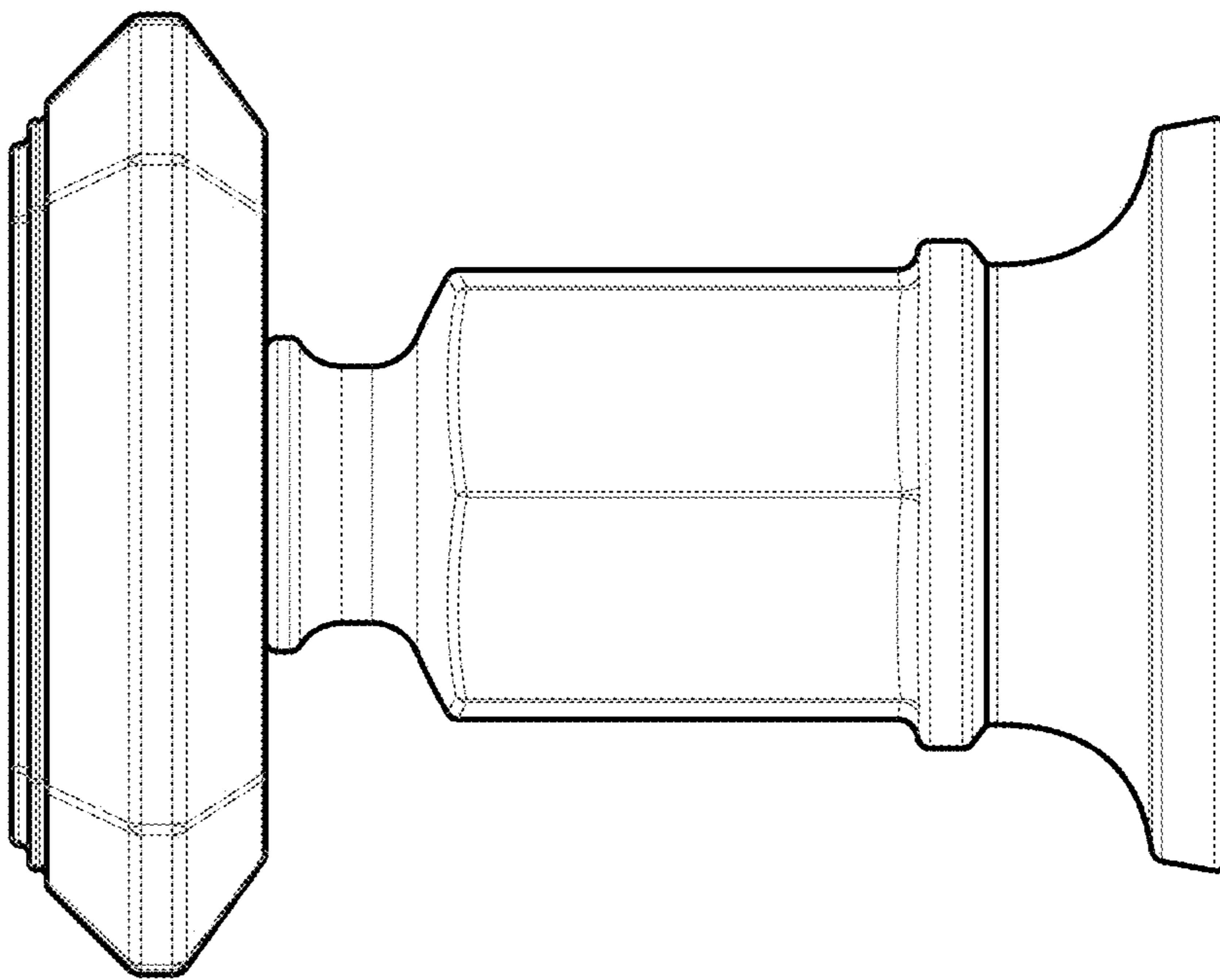


Fig. 3

Fig. 5

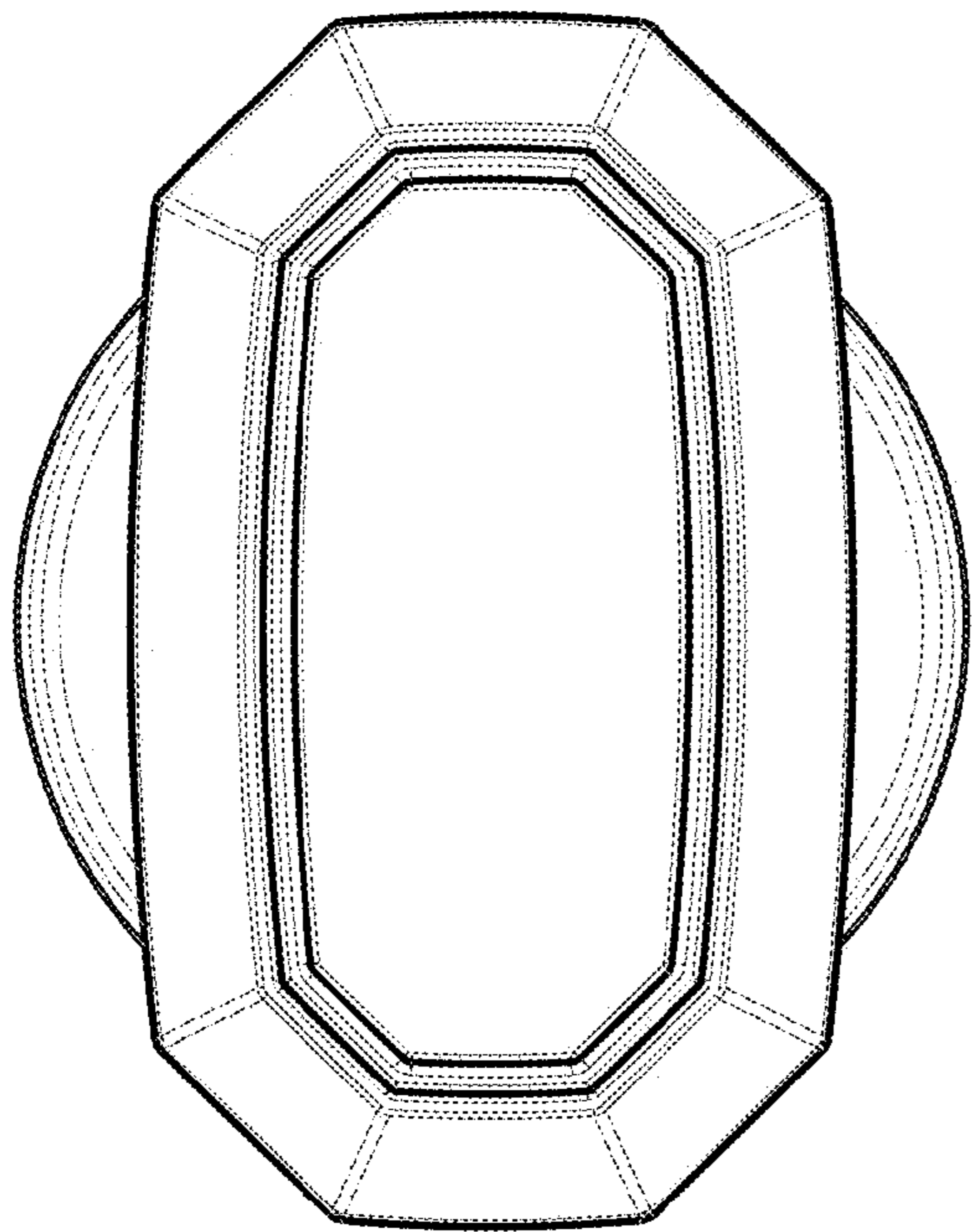


Fig. 6

