



US00D879913S

(12) **United States Design Patent**  
**Parker**

(10) **Patent No.:** **US D879,913 S**  
(45) **Date of Patent:** **\*\* Mar. 31, 2020**

- (54) **VALVE**
- (71) Applicant: **Thomas K. Parker**, Allen, TX (US)
- (72) Inventor: **Thomas K. Parker**, Allen, TX (US)
- (\*\*) Term: **15 Years**
- (21) Appl. No.: **29/671,255**
- (22) Filed: **Nov. 26, 2018**

6,254,061 B1 \* 7/2001 Levine ..... A61B 1/00135  
251/324  
D778,414 S \* 2/2017 Yan ..... D23/268  
D834,145 S \* 11/2018 McNamara ..... F24D 17/0094  
D23/233  
2011/0233437 A1 \* 9/2011 Mattson ..... F16K 5/0478  
251/309

**Related U.S. Application Data**

- (63) Continuation of application No. 15/062,356, filed on Mar. 7, 2016, now abandoned.
- (51) **LOC (12) Cl.** ..... **23-01**
- (52) **U.S. Cl.**  
USPC ..... **D23/233**
- (58) **Field of Classification Search**  
USPC ..... D23/233, 235, 236, 237, 241-249, 268;  
137/597, 614.2; 251/309, 320, 319, 324,  
251/356, 903; 604/323, 247, 167.03;  
4/458  
CPC .. F16K 27/0263; F16K 11/0716; F16K 11/10;  
F16K 11/0853; F16K 31/0603; F16K  
31/143; F16K 31/163; F16K 3/34  
See application file for complete search history.

**References Cited**

**U.S. PATENT DOCUMENTS**

- 1,185,789 A 6/1916 Garbe
- 3,387,631 A 6/1968 Pecis
- 3,780,736 A 12/1973 Chen
- 3,834,372 A 9/1974 Turney
- 4,967,797 A 11/1990 Manska
- 5,135,026 A 8/1992 Manska
- 5,156,603 A 10/1992 Olsen
- 5,427,144 A \* 6/1995 Teets ..... A61B 1/00068  
137/614.2
- 5,439,199 A \* 8/1995 Briggs ..... F16K 3/243  
251/320

**OTHER PUBLICATIONS**

Shower diverter, water flow control adapter, shower accessories, plumbing parts, plastic fixture & fittings, bathroom component. Product listing [online]. International Hardware Source & Design Co., LTD., 2014 [retrieved on Nov. 4, 2014]. Retrieved from the Internet: [http://www.taiwantrade.com.tw/EP/isdhardware/products-detail/en\\_US/488850/shower\\_diverter,water\\_flow\\_control\\_adapter,shower\\_accessories,plumbing\\_parts,plastic\\_fixture\\_%26\\_fittings,bathroom\\_component/](http://www.taiwantrade.com.tw/EP/isdhardware/products-detail/en_US/488850/shower_diverter,water_flow_control_adapter,shower_accessories,plumbing_parts,plastic_fixture_%26_fittings,bathroom_component/).

(Continued)

*Primary Examiner* — Gino Colan  
(74) *Attorney, Agent, or Firm* — Cramer Patent & Design, PLLC

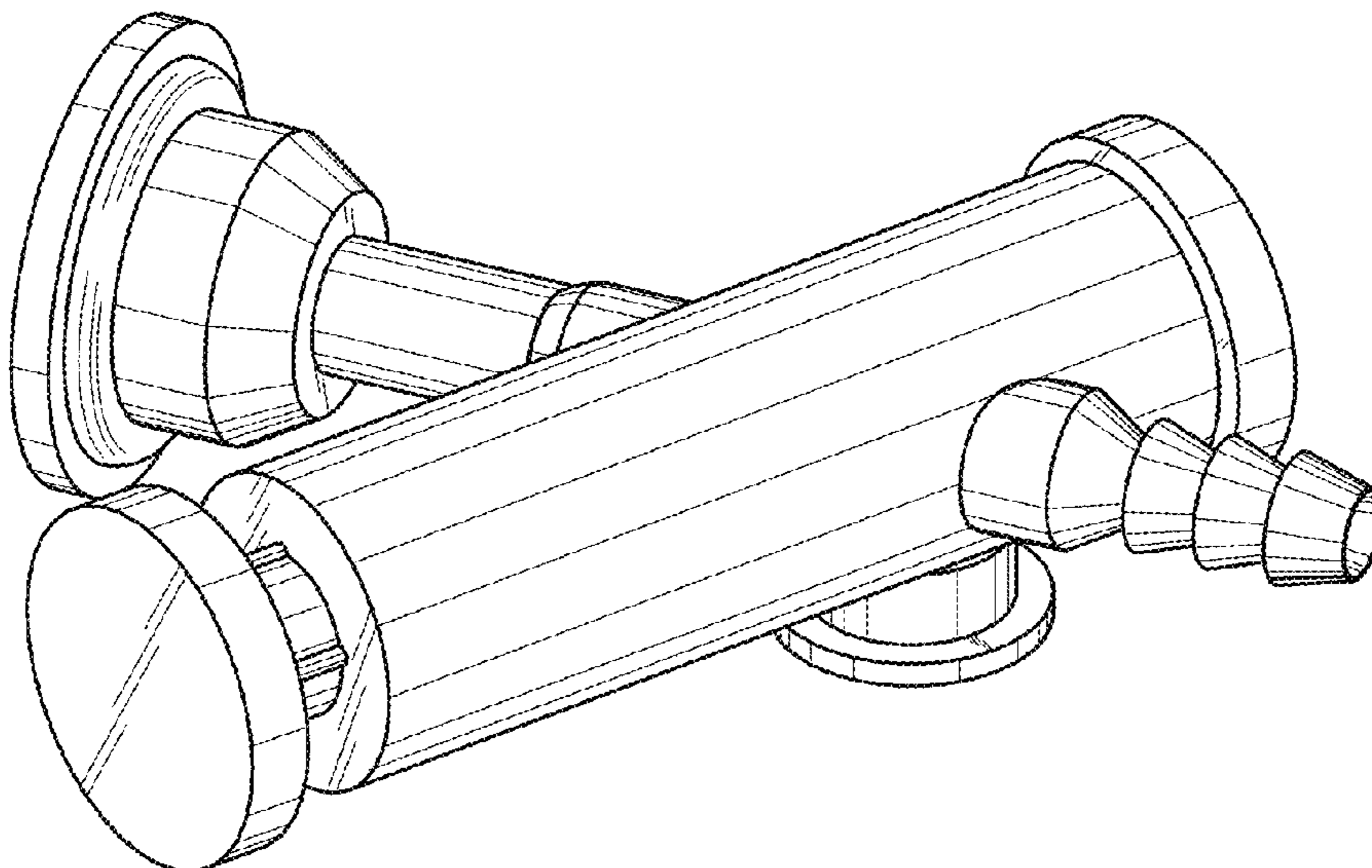
(57) **CLAIM**

The ornamental design for a valve, as shown and described.

**DESCRIPTION**

FIG. 1 is a top front right perspective view of a valve showing my new design;  
FIG. 2 is a top rear left perspective view thereof;  
FIG. 3 is a front elevation view thereof;  
FIG. 4 is a rear elevation view thereof;  
FIG. 5 is a right elevation view thereof;  
FIG. 6 is a left elevation view thereof;  
FIG. 7 is a top plan view thereof; and,  
FIG. 8 is a bottom plan view thereof.  
The broken lines shown in the figures are for the purpose of illustrating proportions of the valve and form no part of the claimed design.

**1 Claim, 8 Drawing Sheets**



(56)

**References Cited**

OTHER PUBLICATIONS

Valves enhance machine and worker safety. Blog Article [online]. Cummings, Eric and Boyette, Steve, 2009 [retrieved on Nov. 4, 2014]. Retrieved from the Internet: <http://hydraulicspneumatics.com/200/TechZone/PneumaticValves/Article/False/83974/TechZone-PneumaticValves>.

\* cited by examiner

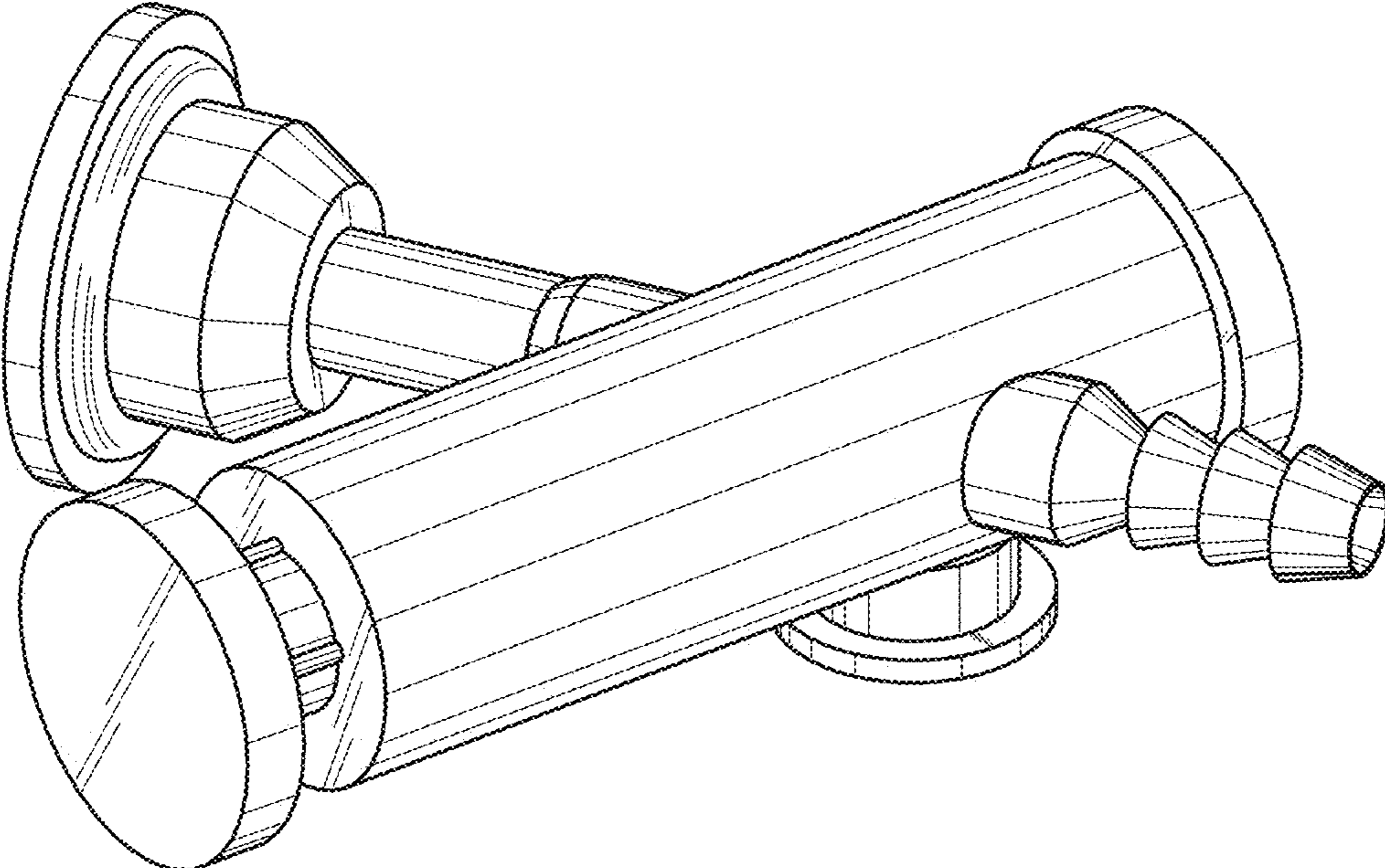


FIG. 1

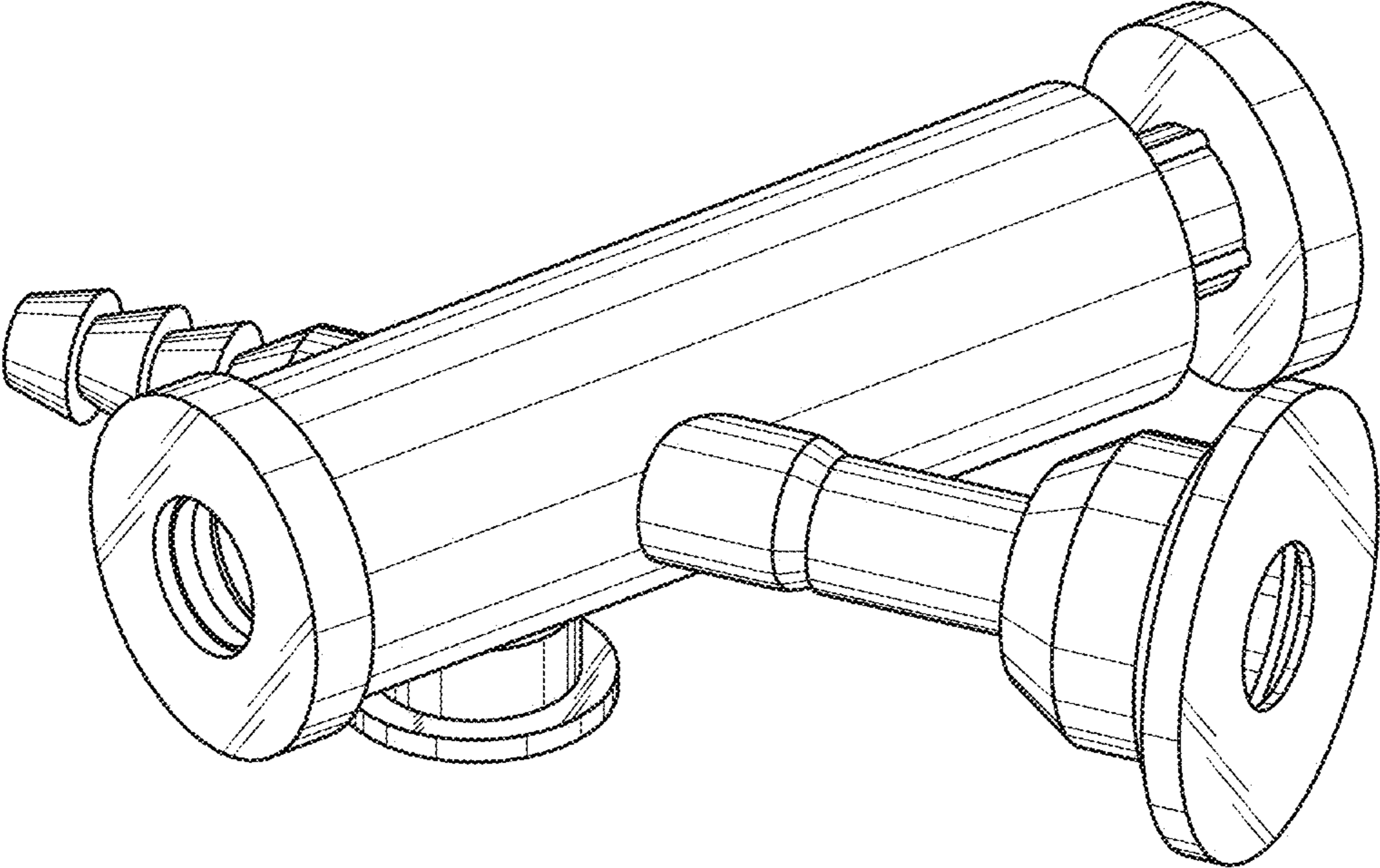


FIG. 2

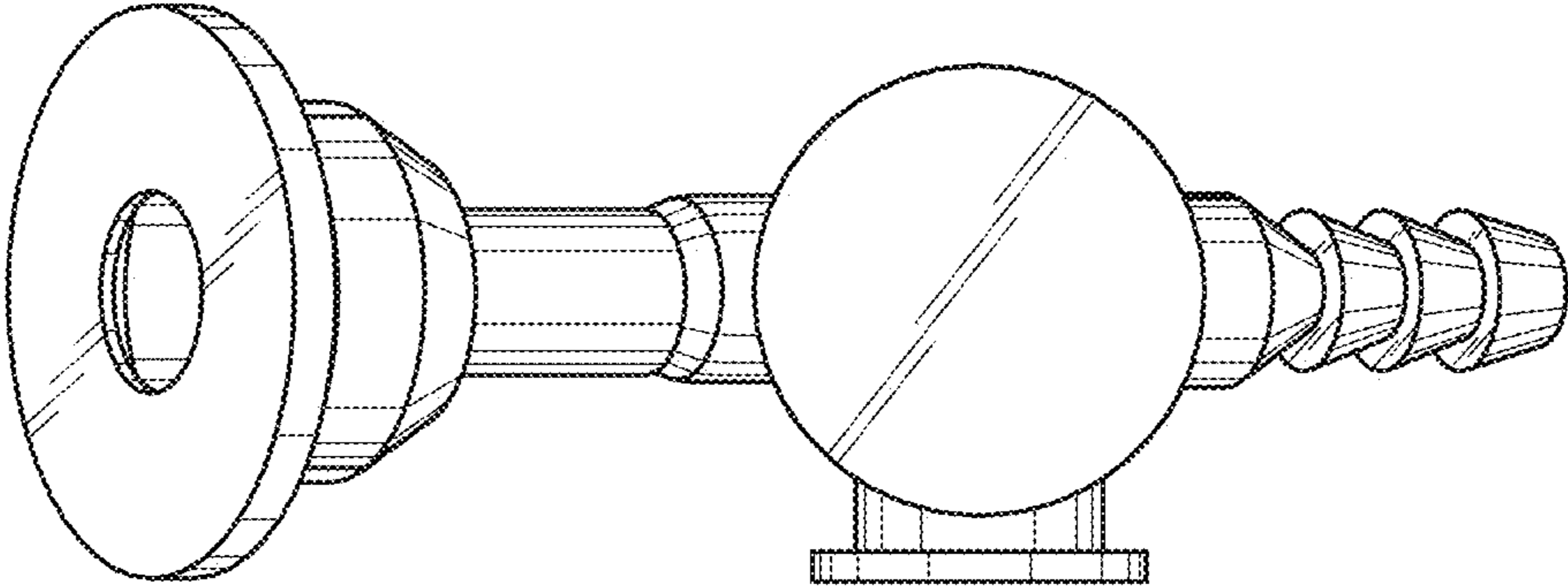


FIG. 3

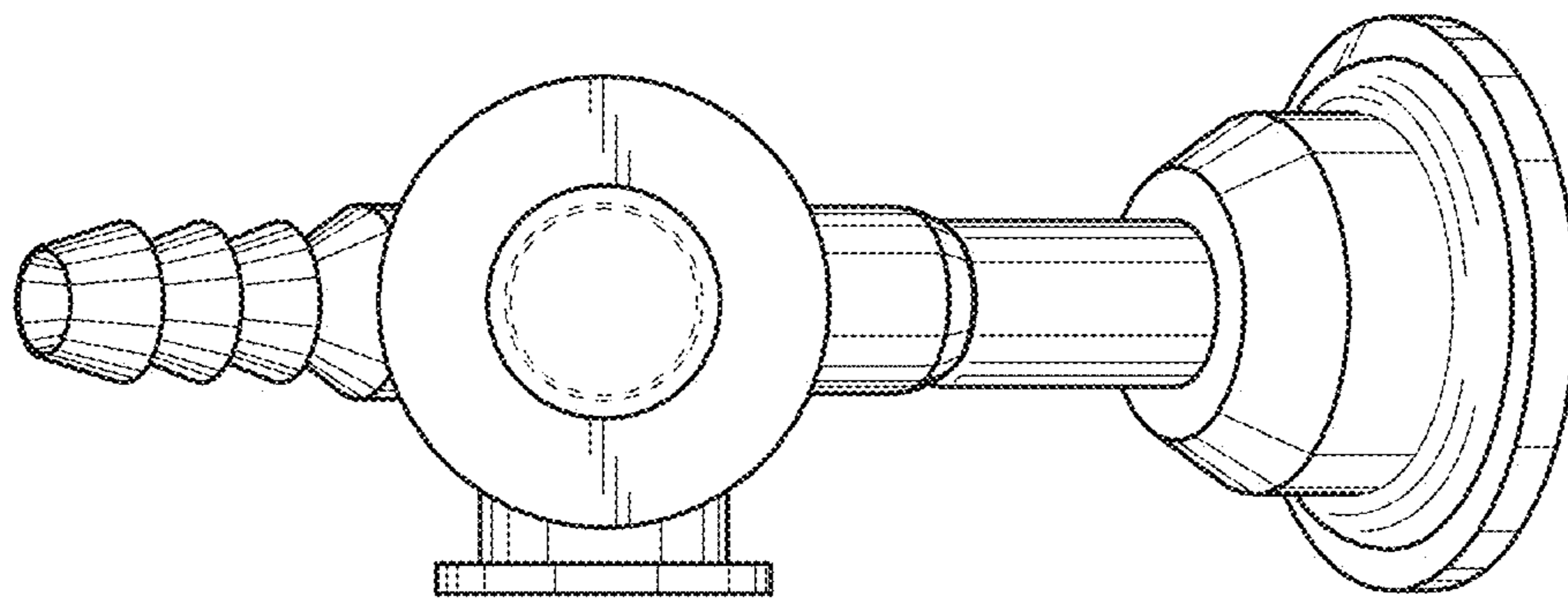


FIG. 4

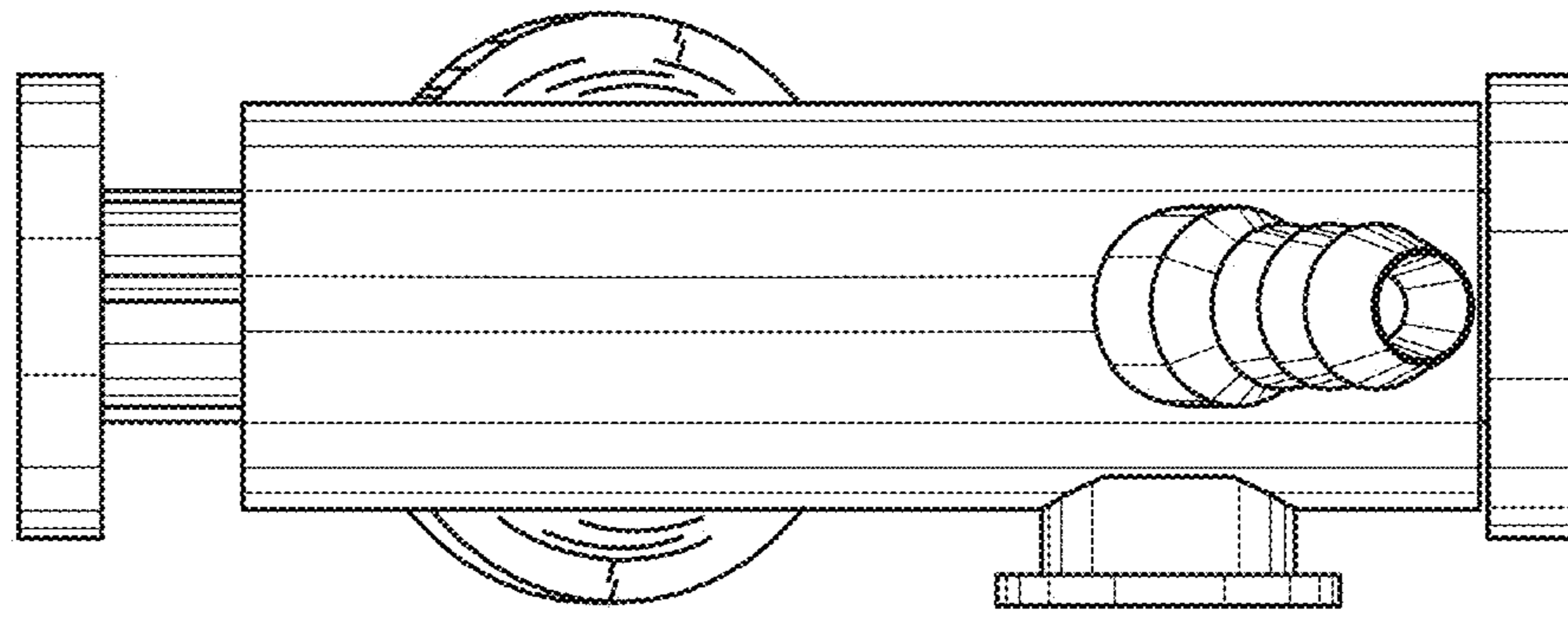


FIG. 5

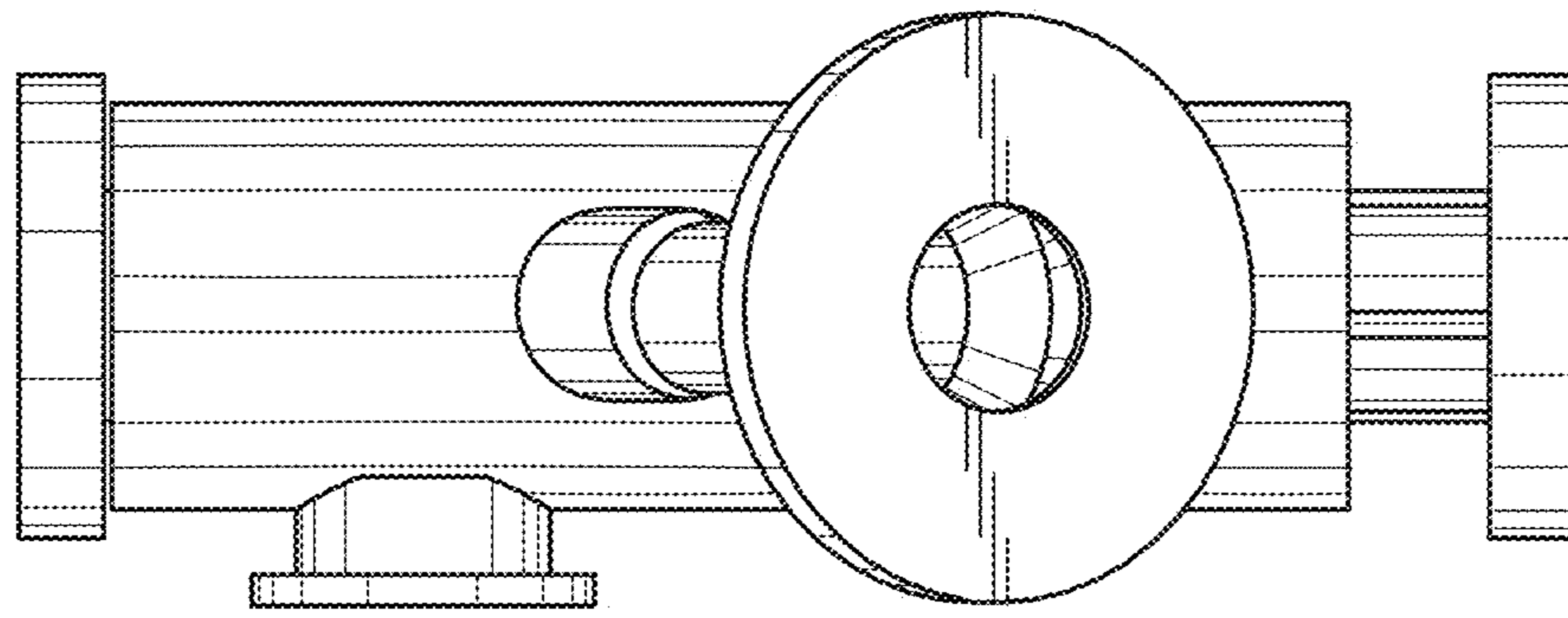


FIG. 6



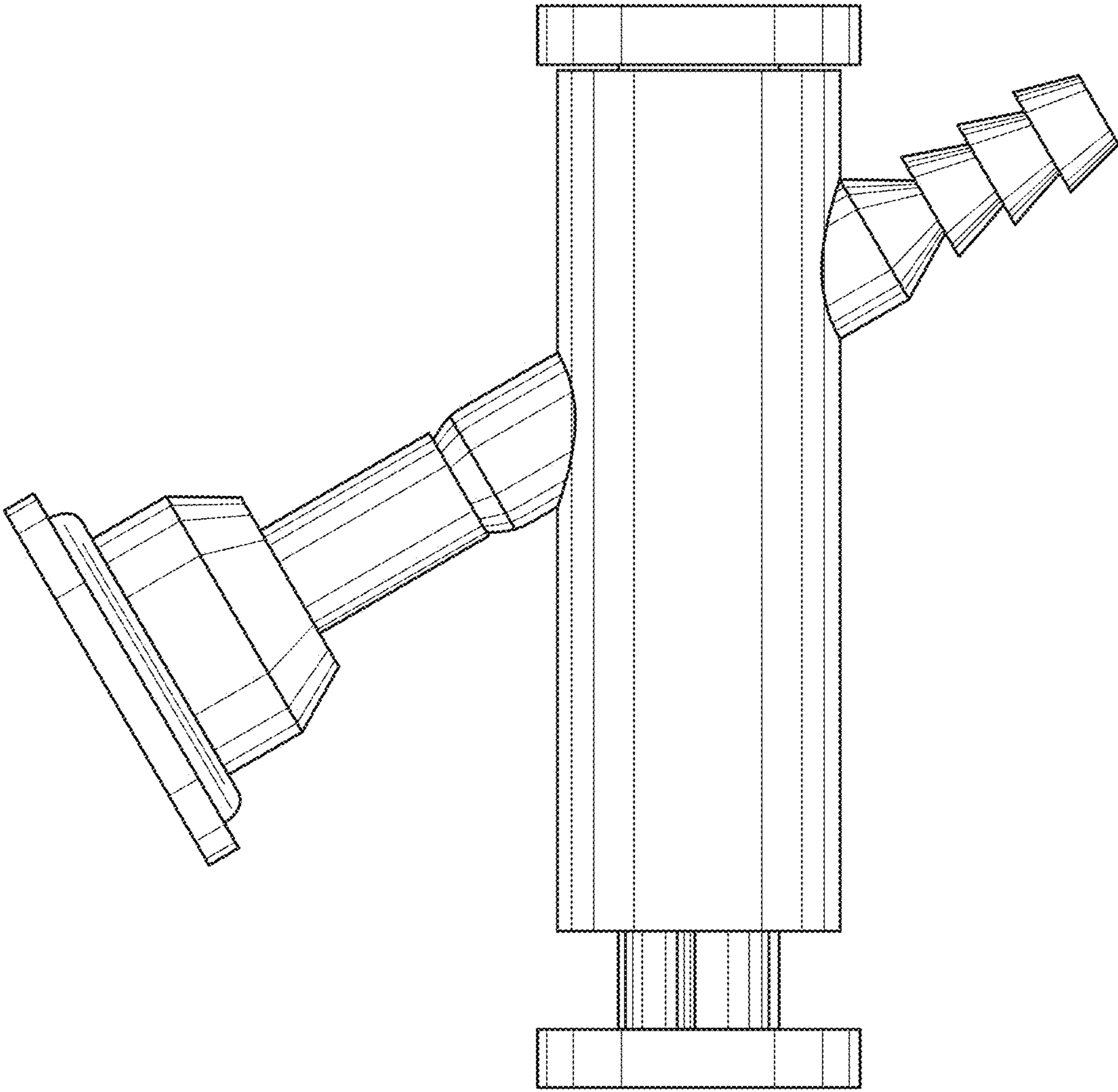


FIG. 7

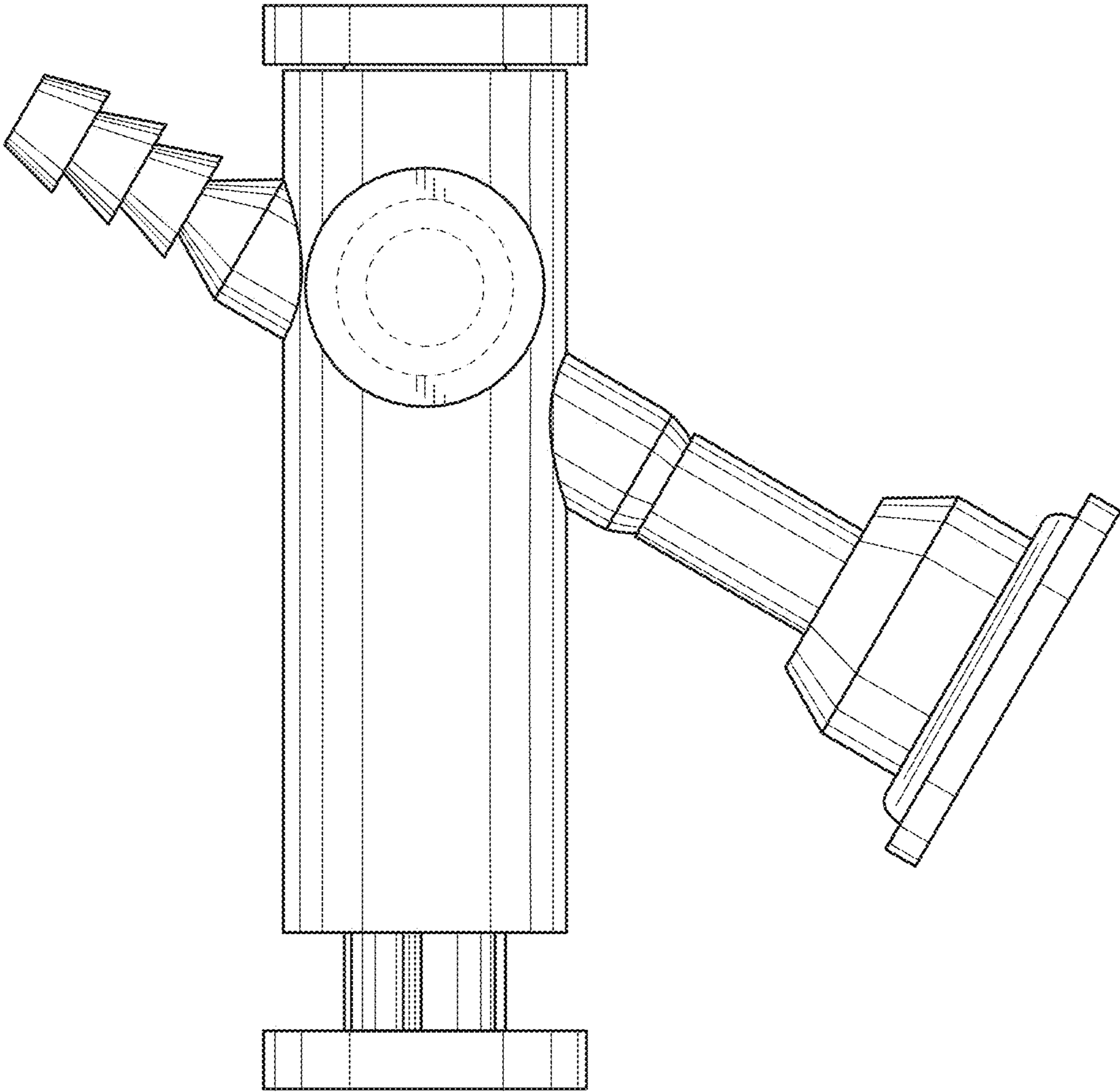


FIG. 8