



US00D879912S

(12) **United States Design Patent**
Alexander et al.

(10) **Patent No.:** **US D879,912 S**

(45) **Date of Patent:** **** Mar. 31, 2020**

(54) **PRESSURE WASHER GUN**

(71) Applicant: **FNA Group, Inc.**, Pleasant Prairie, WI (US)

(72) Inventors: **Gus Alexander**, Inverness, IL (US);
Richard J. Gilpatrick, Burlington, WI (US)

(73) Assignee: **FNA Group, Inc.**, Pleasant Prairie, WI (US)

(**) Term: **15 Years**

(21) Appl. No.: **29/668,183**

(22) Filed: **Oct. 29, 2018**

(51) **LOC (12) Cl.** **23-01**

(52) **U.S. Cl.**
USPC **D23/226; D23/223**

(58) **Field of Classification Search**
USPC D23/213, 214, 215, 223, 224, 226, 229, D23/230

CPC A61H 9/0021; A61H 33/00; B05B 1/00; B05B 1/14; B05B 1/185; B05B 1/08; B05B 1/02; B05B 1/26; B05B 12/002; B05B 1/18; B05B 9/01

See application file for complete search history.

(56) **References Cited**

U.S. PATENT DOCUMENTS

D263,618 S *	3/1982	Taylor	D23/226
D317,969 S *	7/1991	Lambert	D23/226
D342,742 S *	12/1993	Daul	D23/226
D350,386 S *	9/1994	Dotson	D23/223
D355,704 S *	2/1995	Simpson	D23/223
D359,100 S *	6/1995	Dotson	D23/223
D516,673 S *	3/2006	Chisholm	D23/226
D518,556 S *	4/2006	Amaduzzi	D23/226
7,134,580 B2 *	11/2006	Garrison	B67D 7/48 222/566
7,234,614 B1 *	6/2007	Knight	B67D 7/42 137/312
D648,417 S *	11/2011	Varini	D23/226

D650,047 S *	12/2011	Varini	D23/226
D656,221 S *	3/2012	Gevers	D23/226
D684,664 S *	6/2013	Gevers	D23/226
D782,001 S *	3/2017	Birch	D23/211.2
D803,984 S *	11/2017	Tschopp	D23/226
D829,862 S *	10/2018	Lee	D23/223
D831,158 S *	10/2018	Weh	D23/226
D850,582 S *	6/2019	Weinberg	D23/226

(Continued)

OTHER PUBLICATIONS

<https://www.amazon.com/Group-80148-Pressure-Washer-Assist/dp/B07FLKFJV2> (Year: 2018).*

Primary Examiner — Manpreet S Matharu

Assistant Examiner — Keith J Wilson

(74) *Attorney, Agent, or Firm* — Steven E. Jedlinski;
Jeffrey T. Placker; Holland & Knight LLP

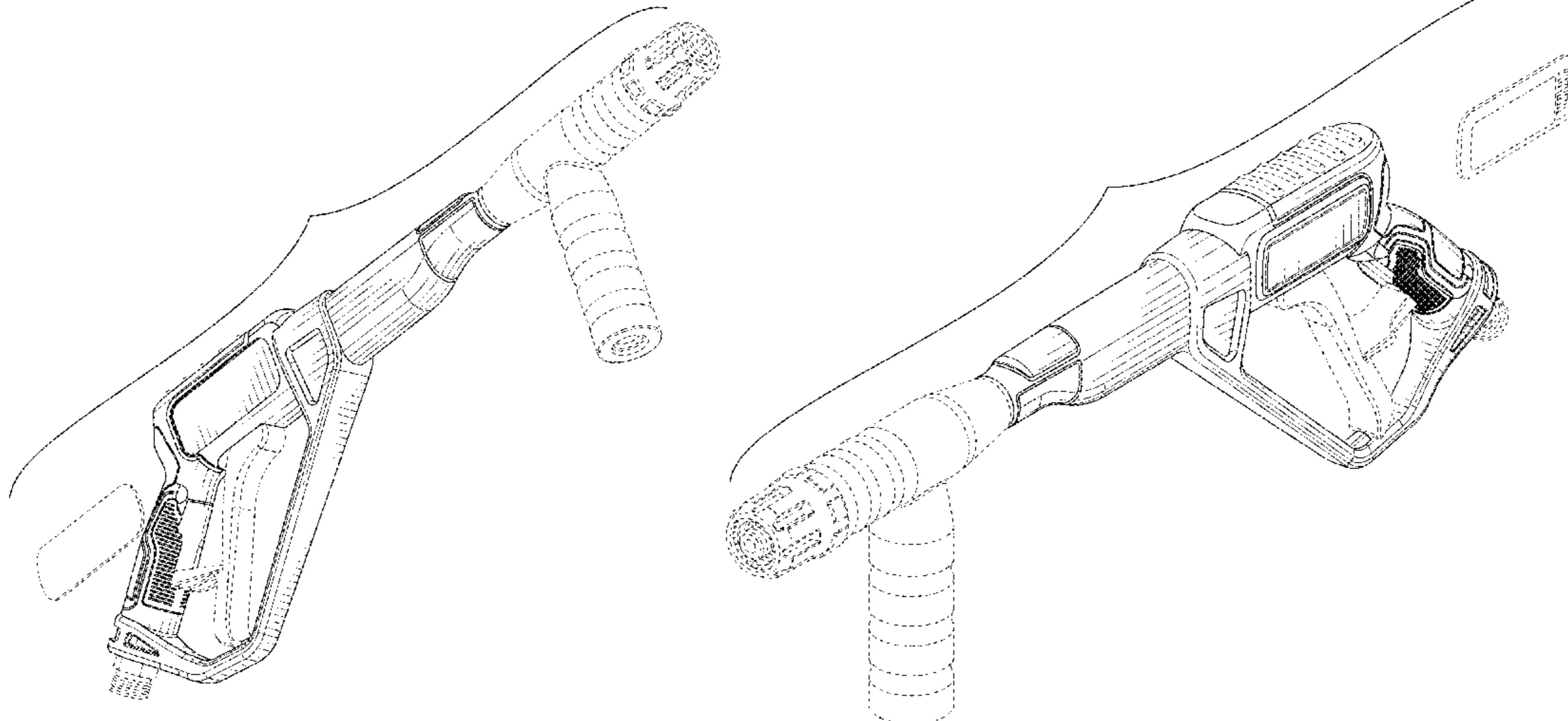
(57) **CLAIM**

The ornamental design for a pressure washer gun, as shown and described.

DESCRIPTION

FIG. 1 is a rear-left-bottom perspective view of a pressure washer gun;
FIG. 2 is a front-left-top perspective view thereof;
FIG. 3 is a front-right-bottom perspective view thereof;
FIG. 4 is a rear-right-top perspective view thereof;
FIG. 5 is a rear elevation view thereof;
FIG. 6 is a front elevation view thereof;
FIG. 7 is a bottom plan view thereof;
FIG. 8 is a top plan view thereof;
FIG. 9 is left elevation view thereof; and,
FIG. 10 is a right elevation view thereof.
The broken lines are included for the purpose of illustrating portions of the pressure washer gun that form no part of the claimed design.

1 Claim, 9 Drawing Sheets



(56)

References Cited

U.S. PATENT DOCUMENTS

D852,324 S * 6/2019 Willfort D23/226
D861,264 S * 9/2019 Gu D32/17
2012/0018534 A1* 1/2012 Gilpatrick B05B 7/0876
239/310
2018/0304292 A1* 10/2018 Alexander B05B 12/002

* cited by examiner

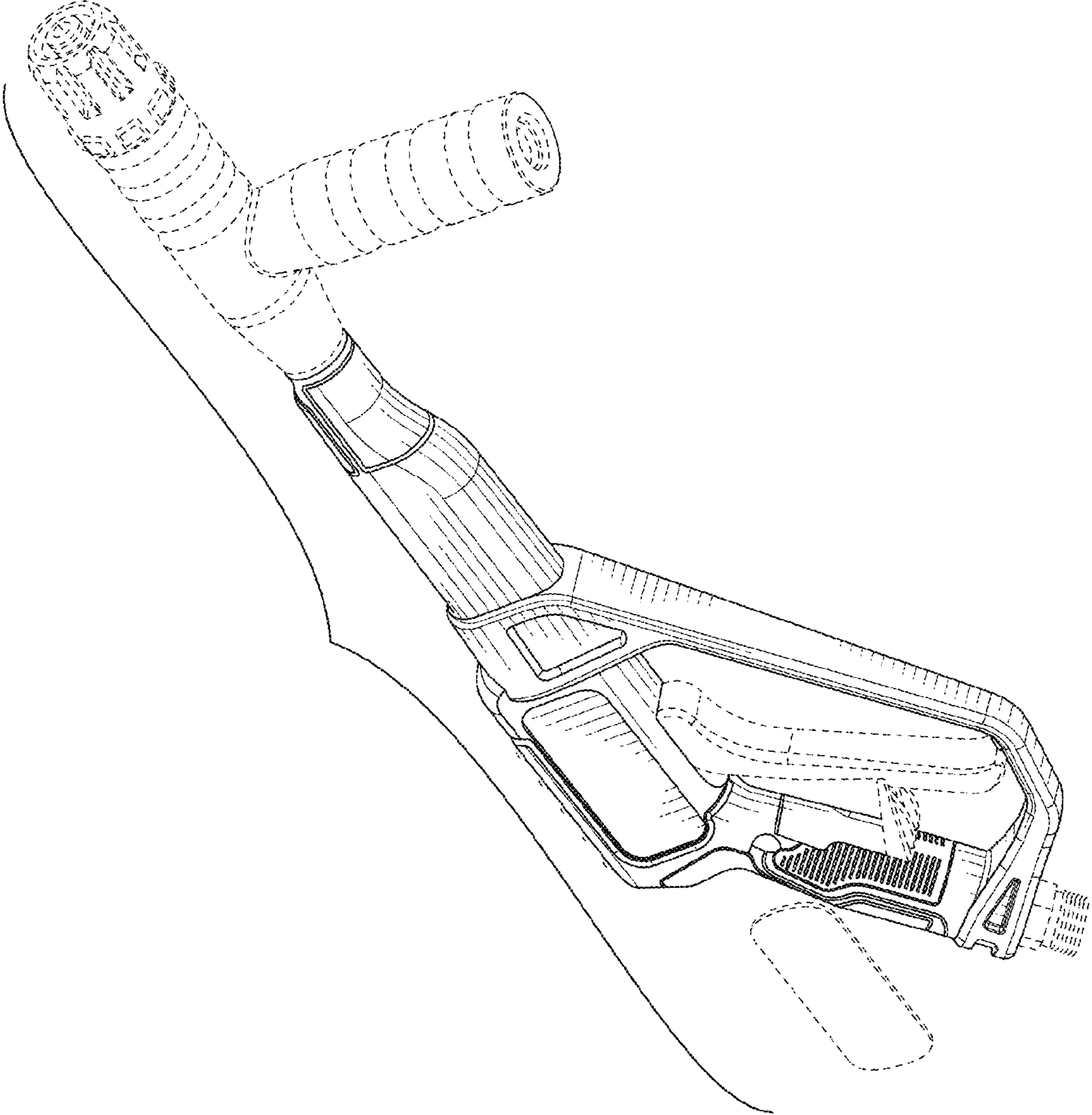


FIG. 1

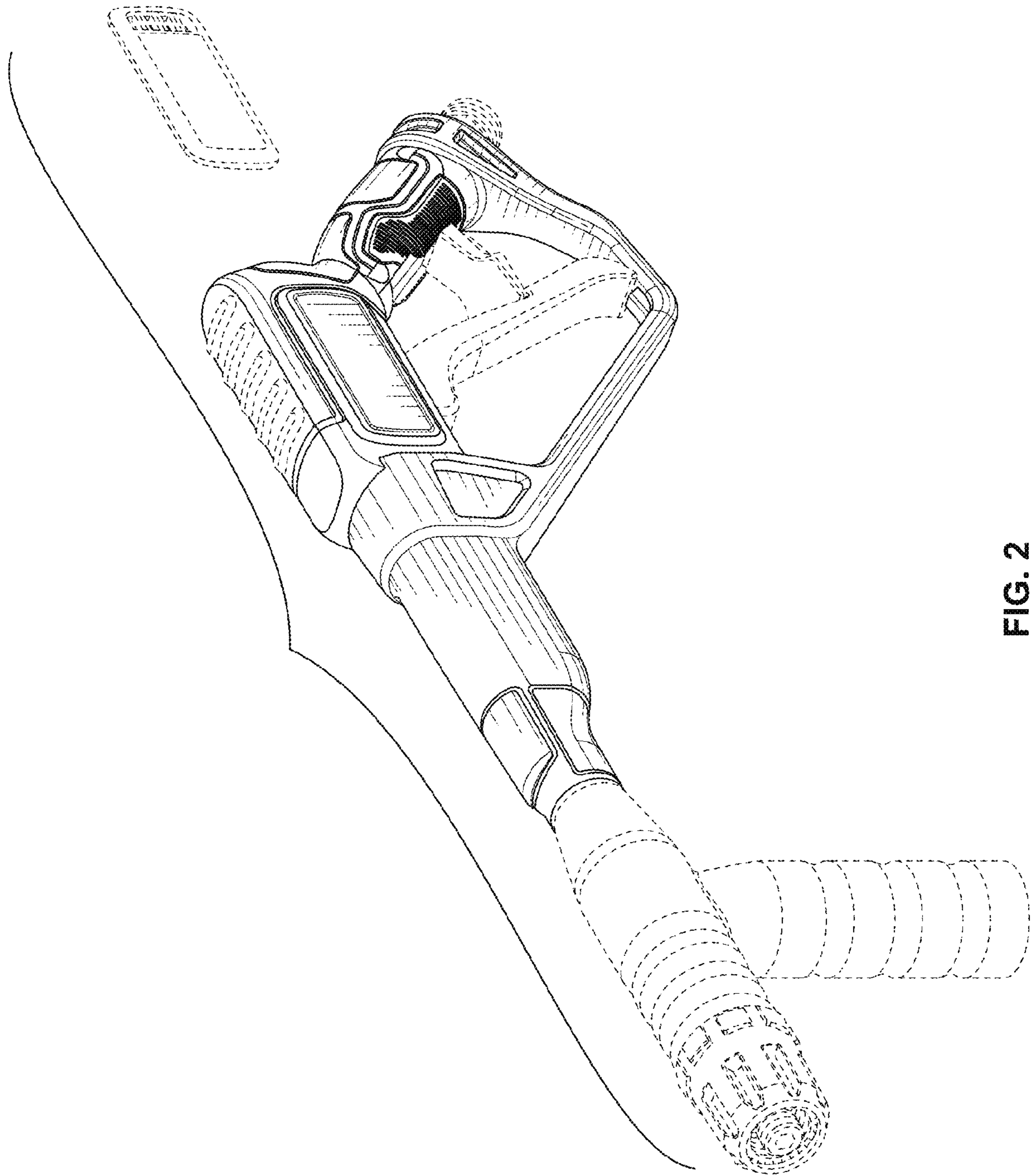


FIG. 2

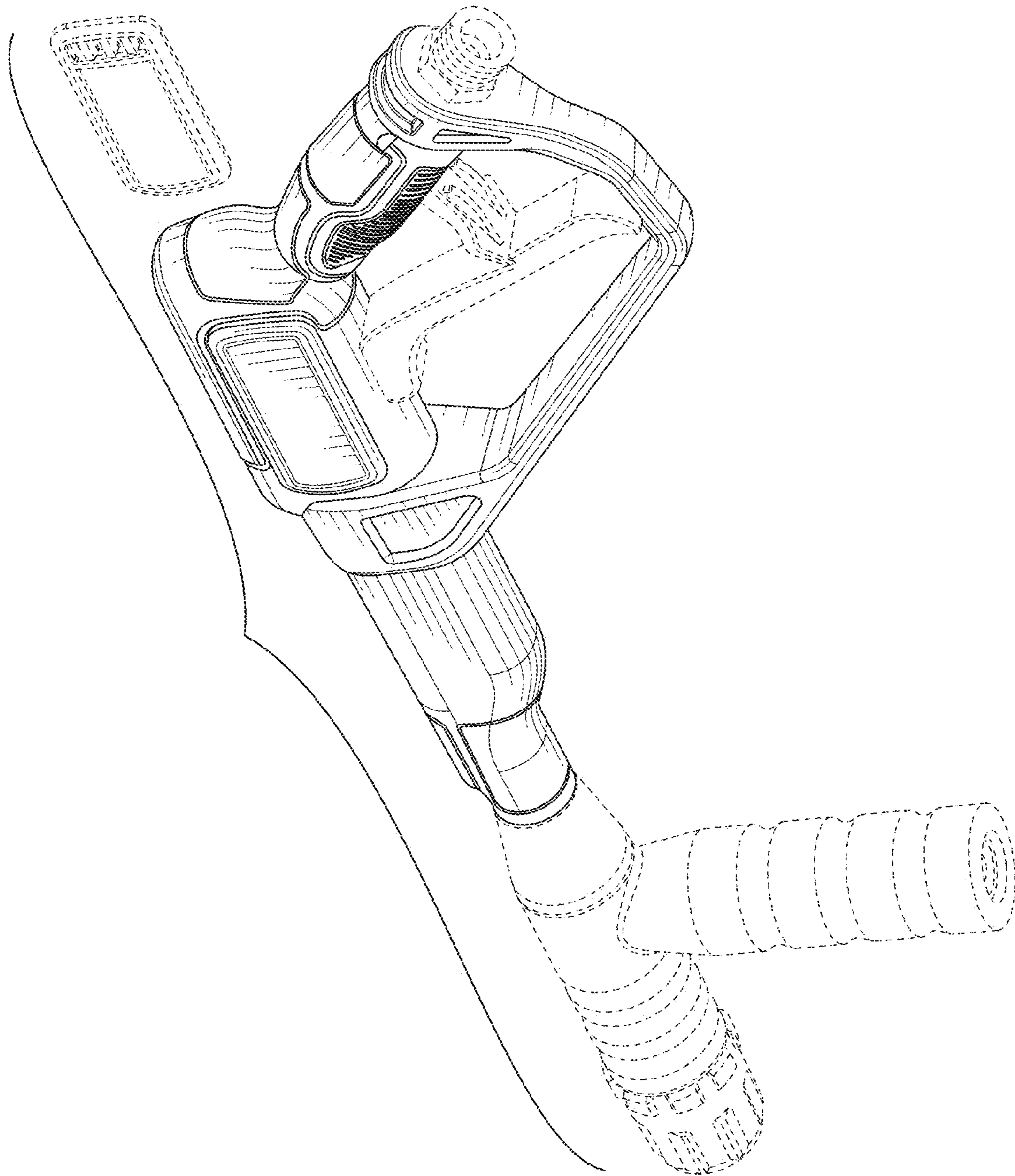


FIG. 3

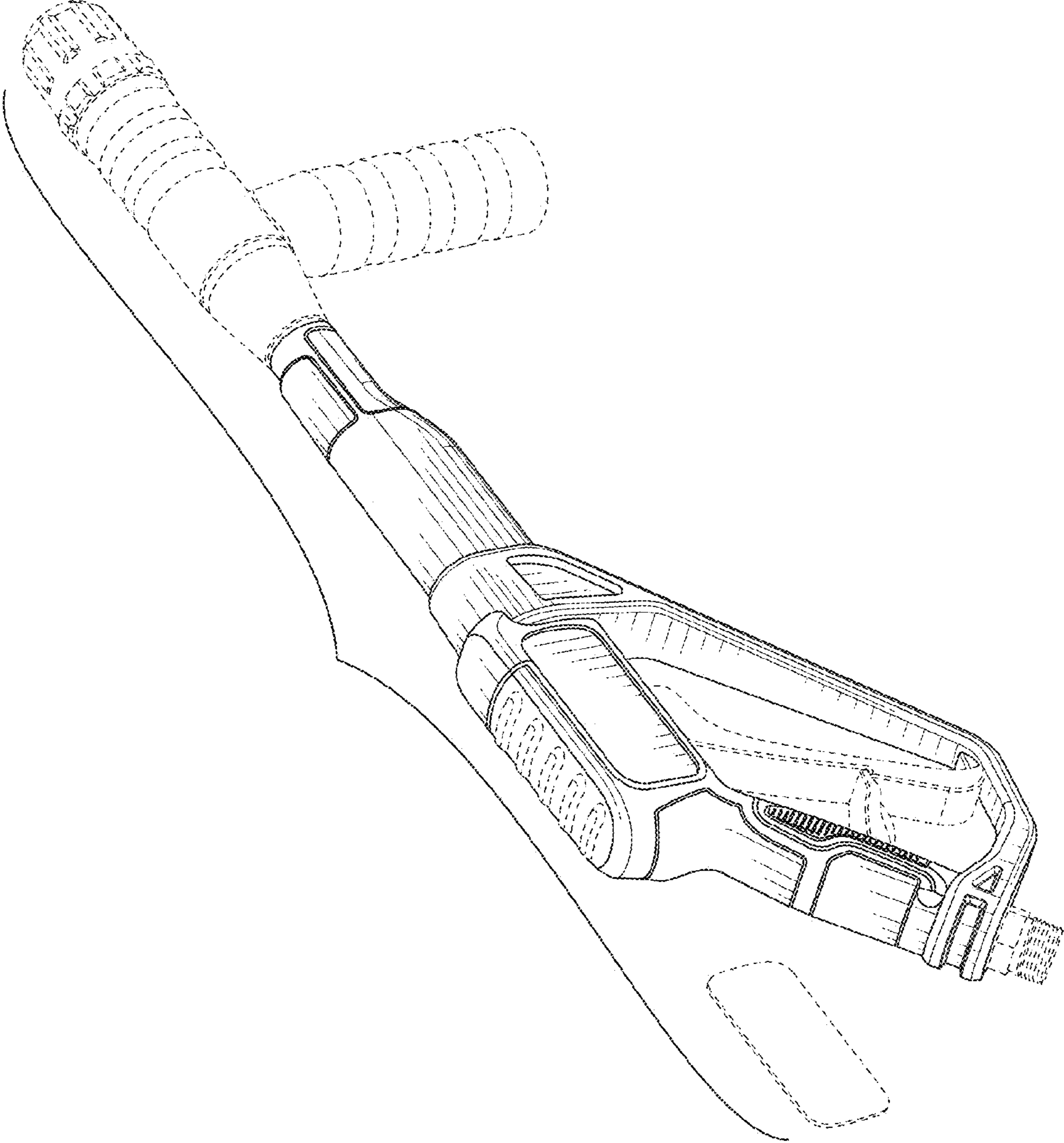


FIG. 4

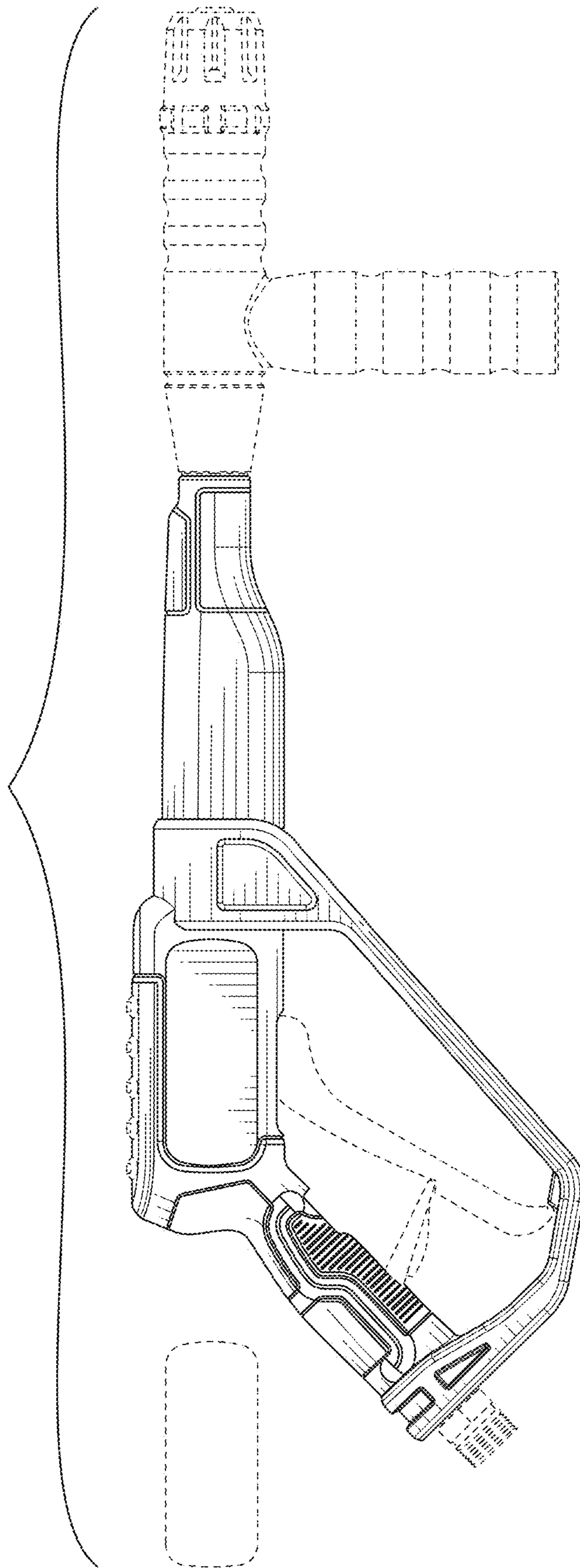


FIG. 5

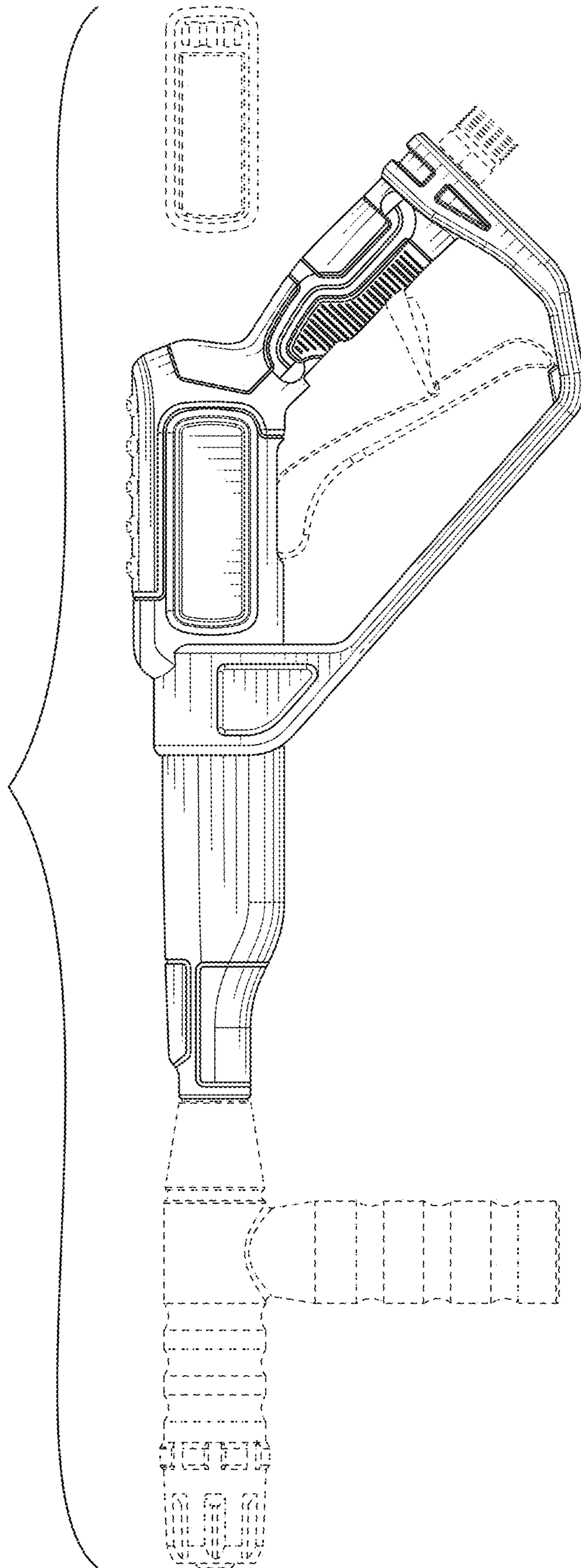


FIG. 6

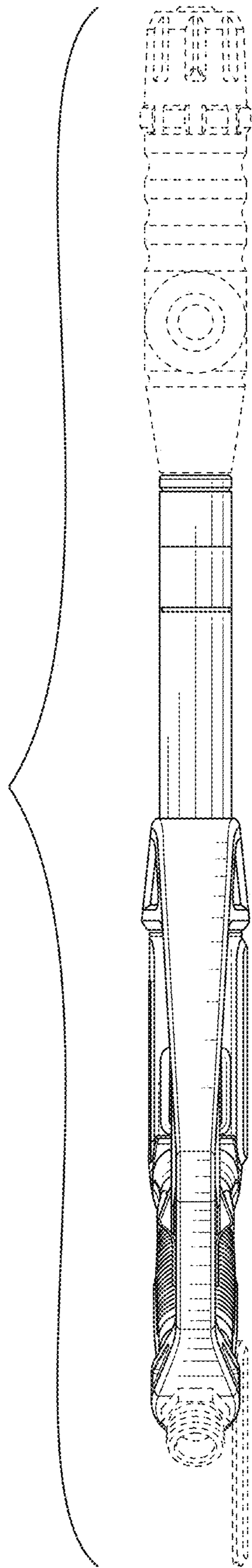


FIG. 7

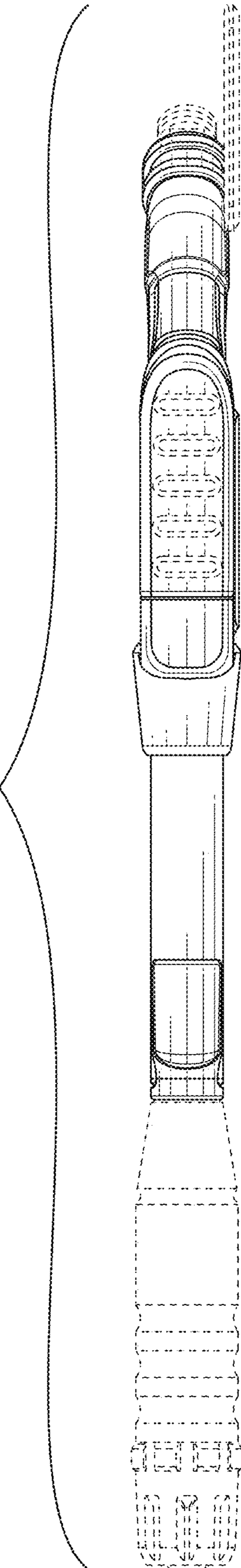


FIG. 8

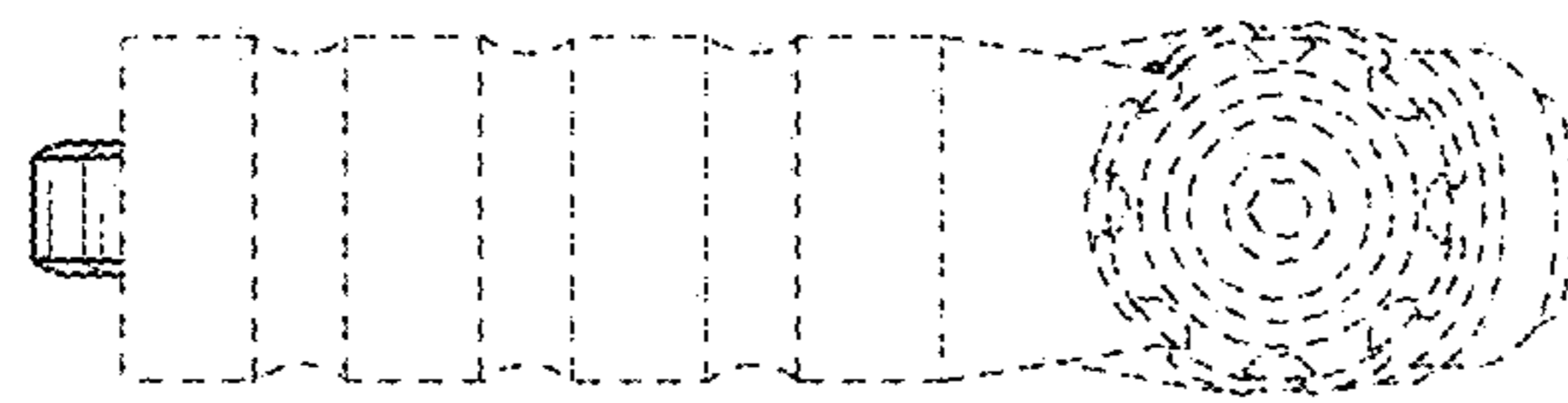


FIG. 9

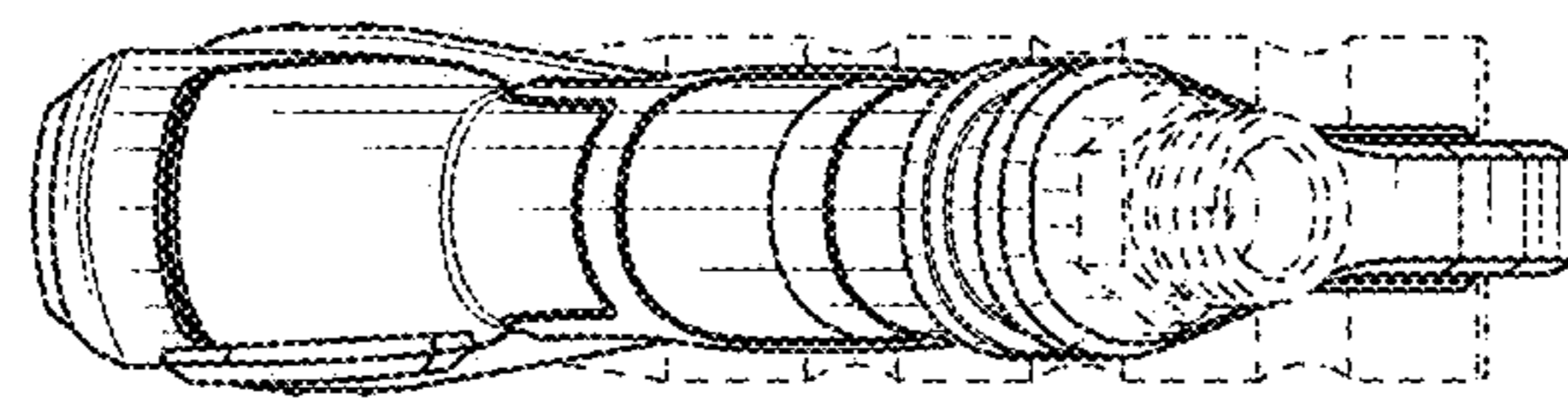


FIG. 10