

US00D879911S

(12) **United States Design Patent** (10) **Patent No.:** **US D879,911 S**
Huang et al. (45) **Date of Patent:** **** Mar. 31, 2020**

(54) **REEL COMPONENT**
(71) Applicants: **Ben Huang**, Huntington Beach, CA (US); **WINN INCORPORATED**, Huntington Beach, CA (US)
(72) Inventors: **Ben Huang**, Huntington Beach, CA (US); **Elmer S. Alfara**, Dana Point, CA (US)

D609,772 S 2/2010 Tohma et al.
D661,774 S 6/2012 Nago et al.
D695,379 S 12/2013 Kano et al.
D724,174 S 3/2015 Nago
D788,256 S 5/2017 Savakis et al.
D802,708 S 11/2017 Savakis
D844,744 S 4/2019 Huang et al.
D847,298 S 4/2019 Huang et al.

(73) Assignees: **Winn Incorporated**, Huntington Beach, CA (US); **Ben Huang**, Huntington Beach, CA (US)

(**) Term: **15 Years**

(21) Appl. No.: **29/689,399**

(22) Filed: **Apr. 29, 2019**

Related U.S. Application Data

(62) Division of application No. 29/604,651, filed on May 18, 2017, now Pat. No. Des. 847,298.

(51) **LOC (12) Cl.** **22-05**

(52) **U.S. Cl.**
USPC **D22/140**

(58) **Field of Classification Search**
USPC D22/137, 138, 139, 140, 141, 134, 199;
242/295, 317-323, 118.4, 118.7,
242/234-240, 303, 311, 313; 43/19-22
CPC A01K 89/006; A47B 95/02; B25G 1/00;
B25G 1/102
See application file for complete search history.

(56) **References Cited**

U.S. PATENT DOCUMENTS

D369,641 S 5/1996 Asano et al.
D579,075 S 10/2008 Sekimoto et al.

OTHER PUBLICATIONS

Design U.S. Appl. No. 29/416,672, filed Mar. 26, 2012, now U.S. Pat. No. D. 679,352, issued Apr. 2, 2013, Huang.
Design U.S. Appl. No. 29/436,610, filed Nov. 7, 2012, now U.S. Pat. No. D. 696,368, issued Dec. 24, 2013, Huang.

Primary Examiner — Catherine R Oliver-Garcia
(74) *Attorney, Agent, or Firm* — Knobbe, Martens, Olson & Bear, LLP

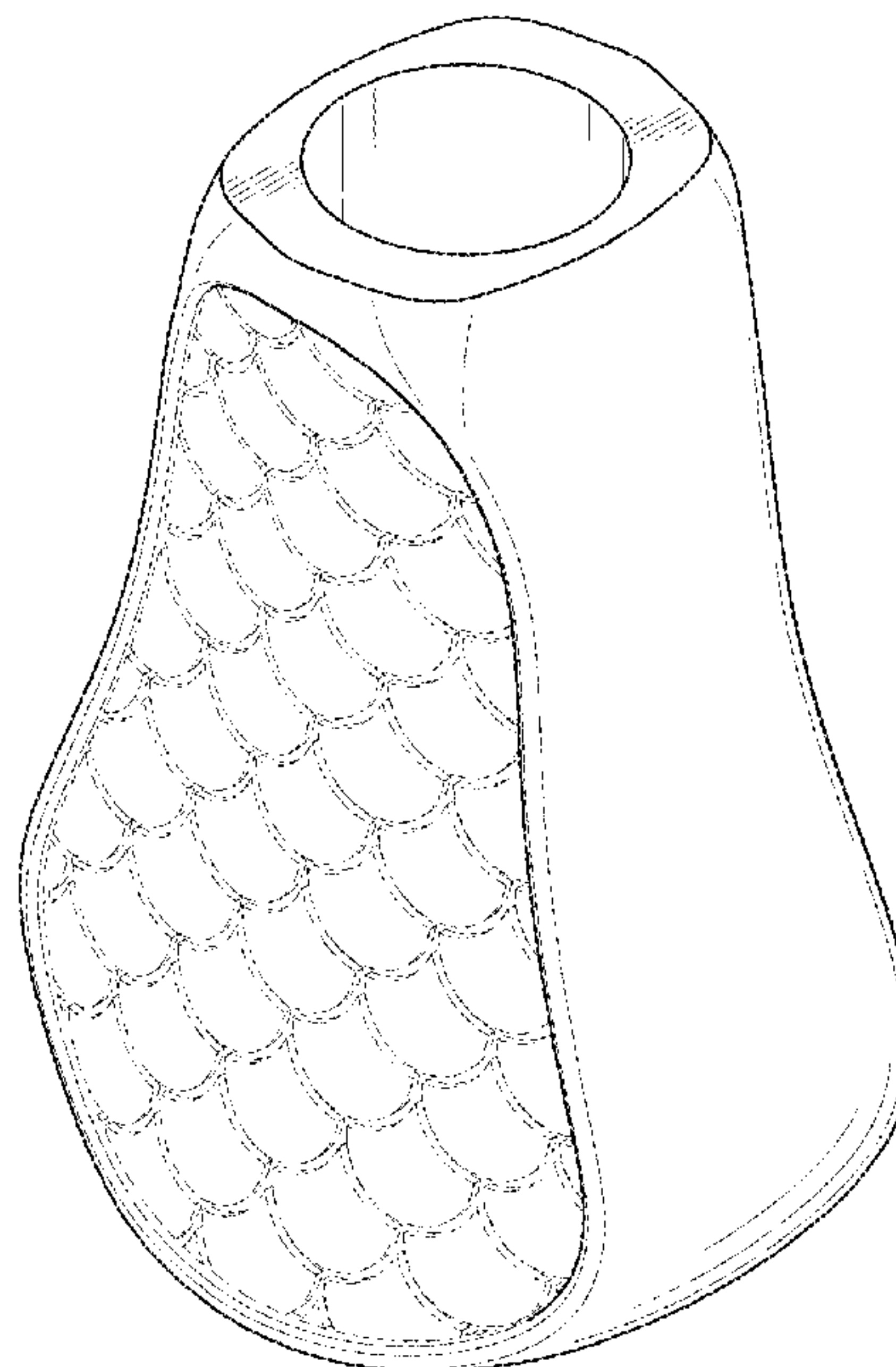
(57) **CLAIM**

The ornamental design for a reel component, as shown and described.

DESCRIPTION

FIG. 1 is a front top perspective view of a reel component showing the new design;
FIG. 2 is a rear bottom perspective view thereof;
FIG. 3 is a rear elevational view thereof;
FIG. 4 is a front elevational view thereof;
FIG. 5 is a left elevational view thereof;
FIG. 6 is a right elevational view thereof.
FIG. 7 is a top plan view thereof; and,
FIG. 8 is a bottom plan view thereof.
The dash-dash broken lines in FIGS. 1-7 show portions of the reel component which form no part of the presently claimed design.

1 Claim, 8 Drawing Sheets



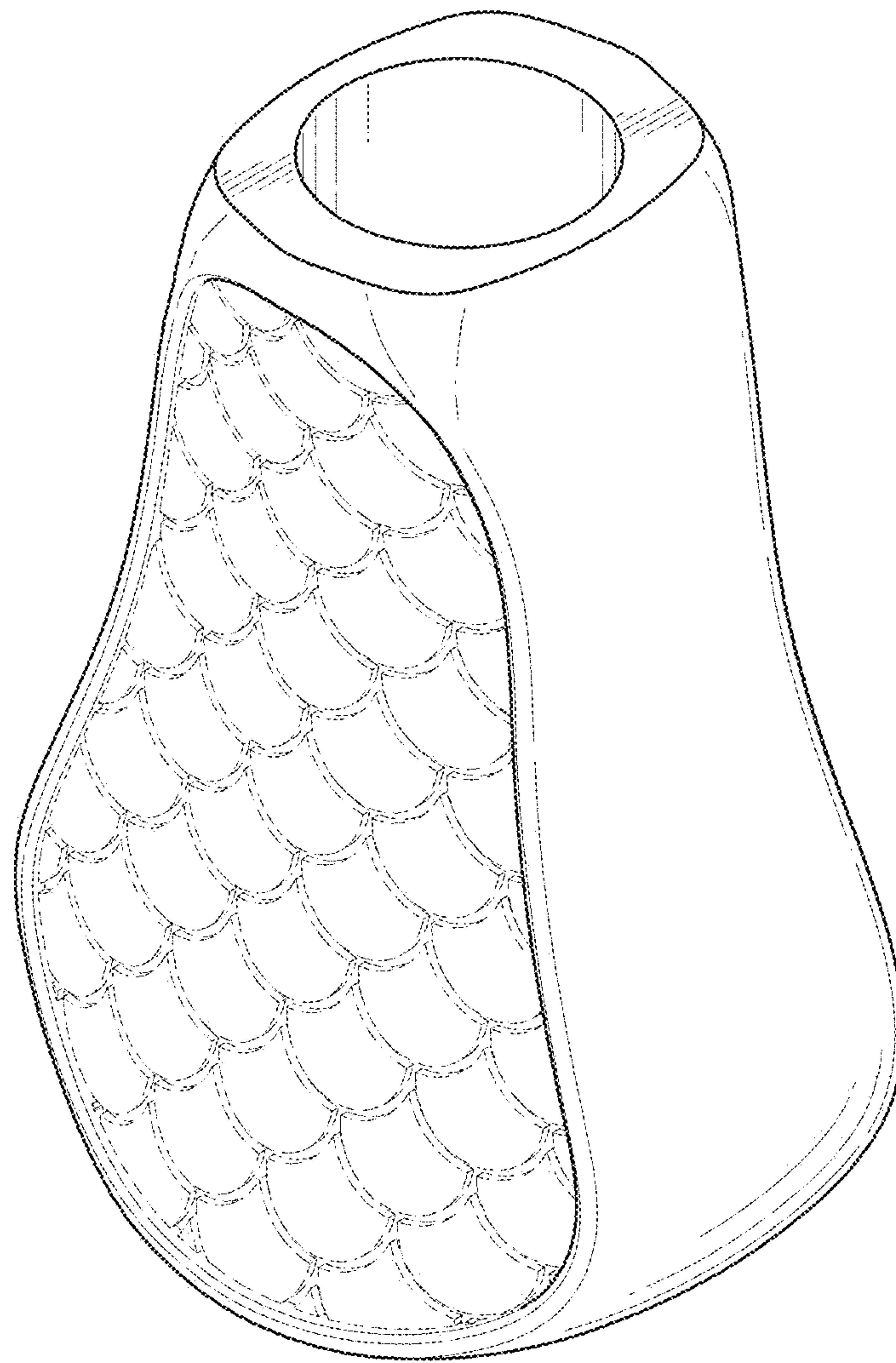


FIG. 1

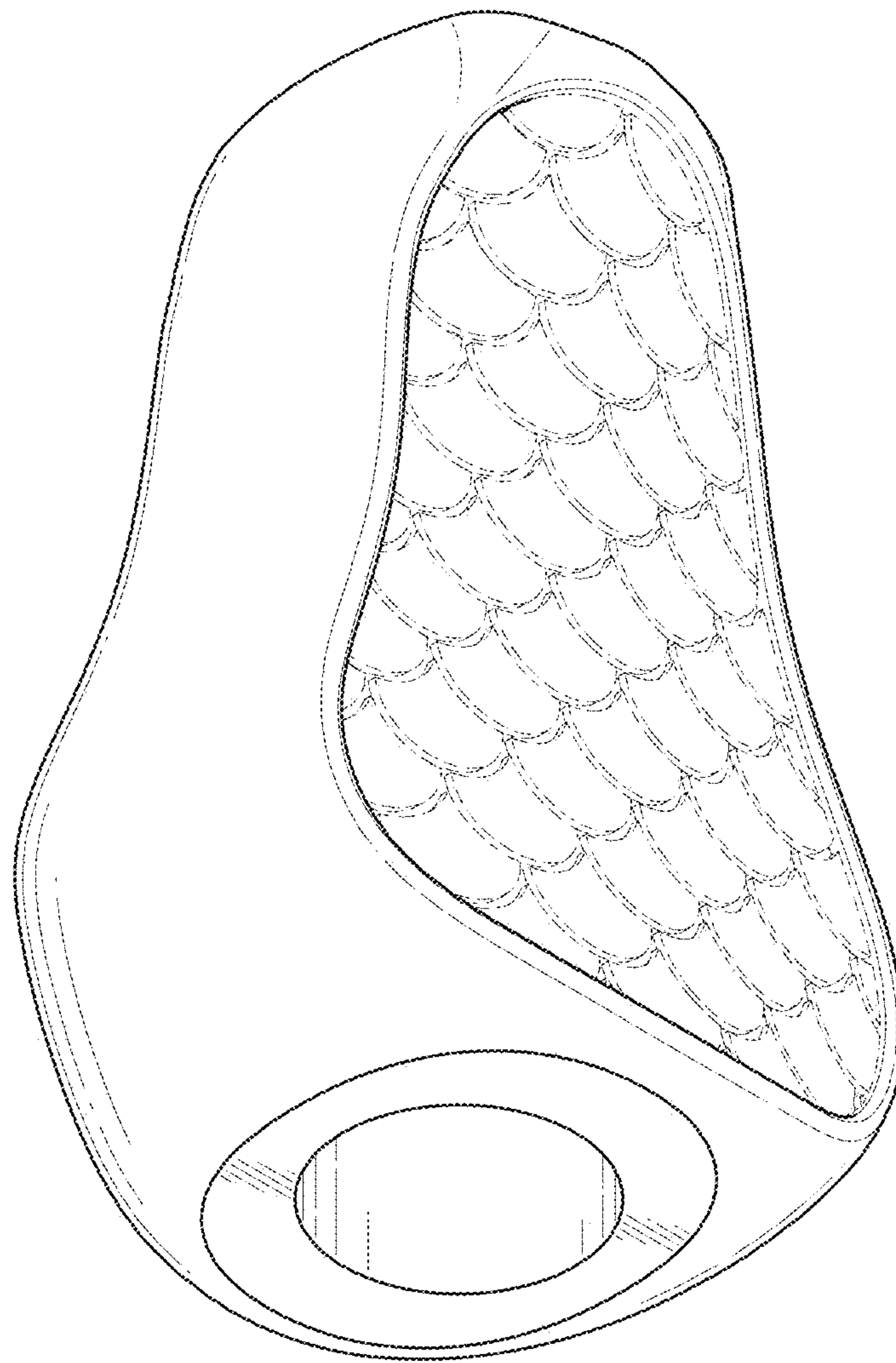


FIG. 2

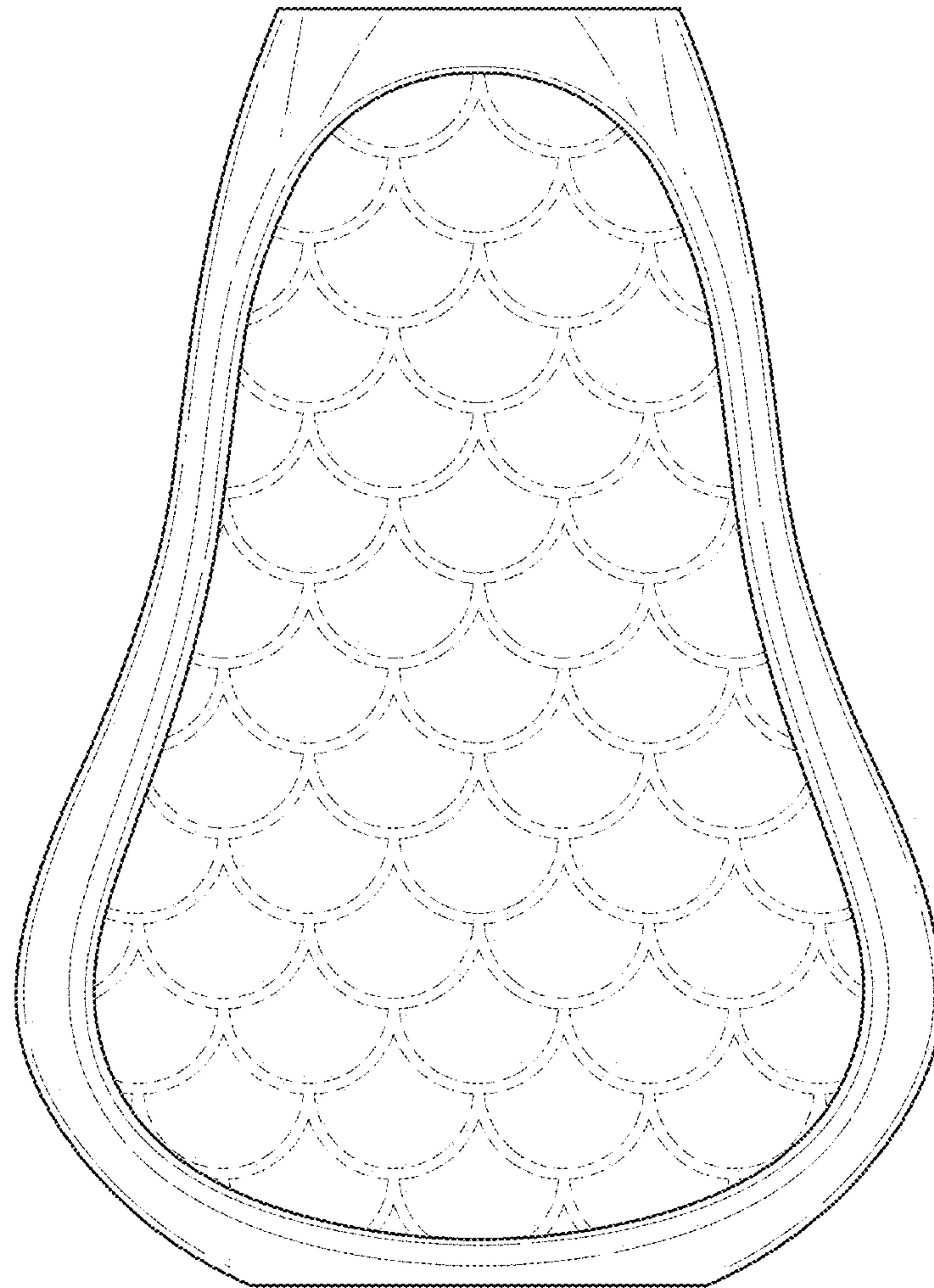


FIG. 3

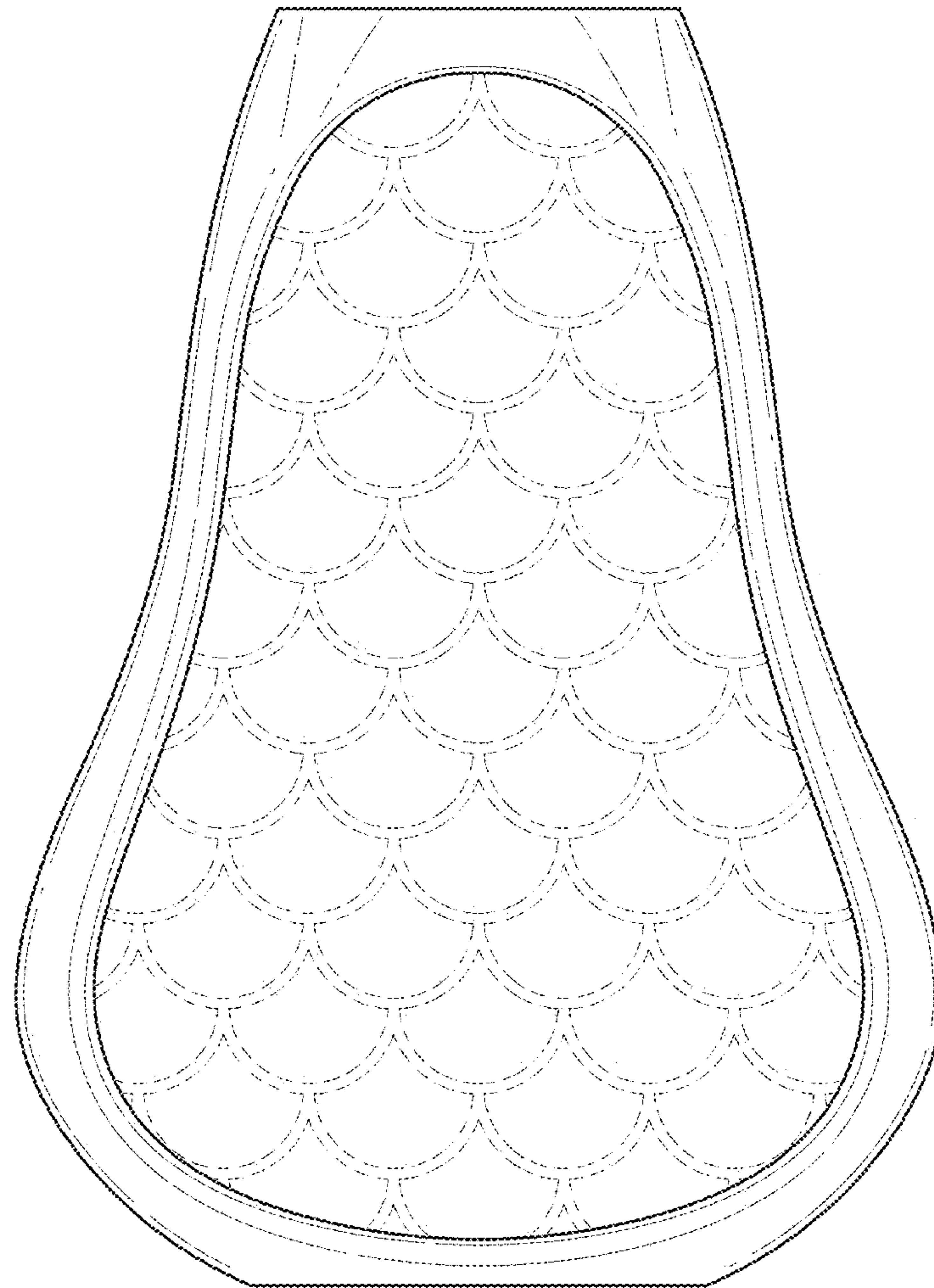


FIG. 4

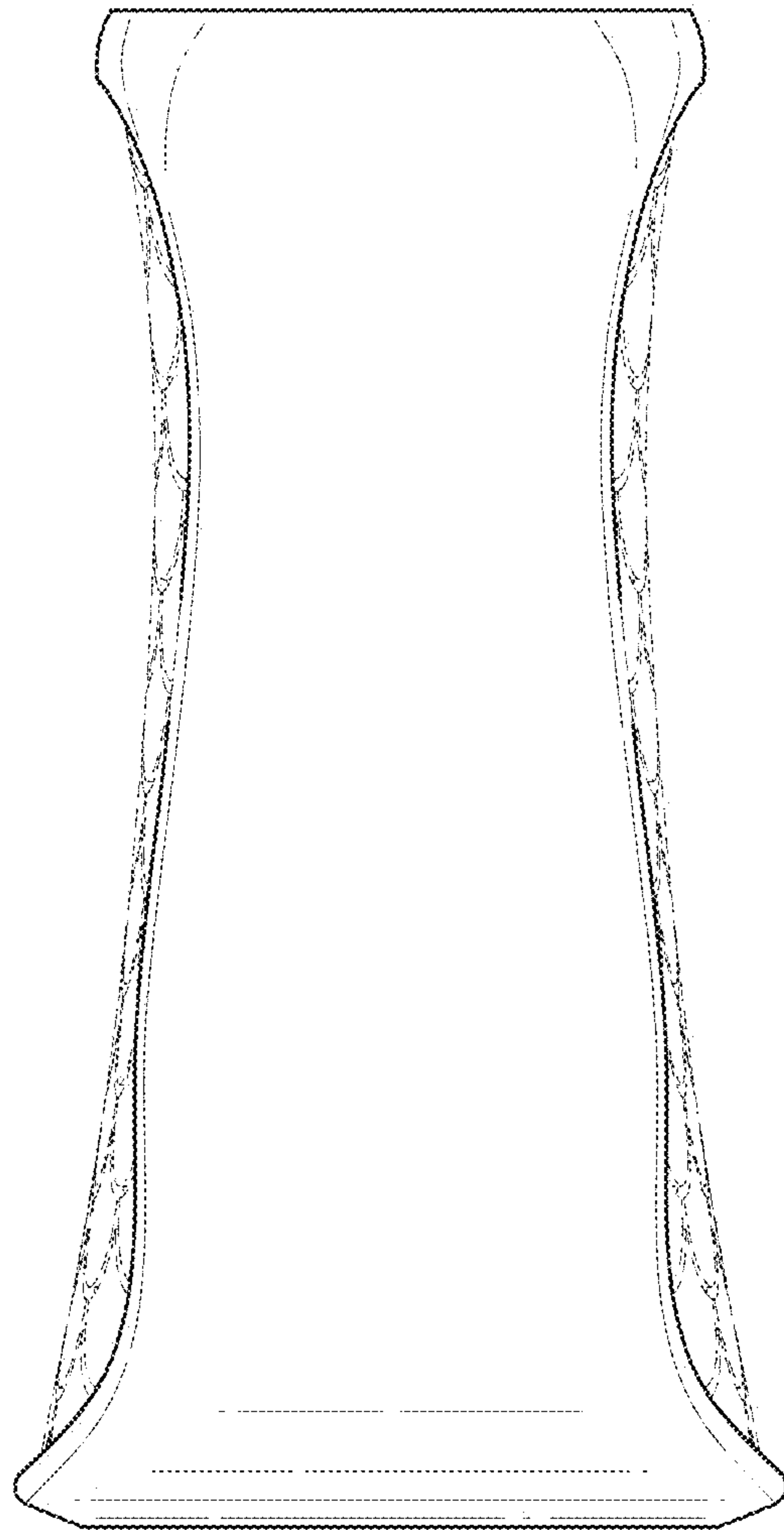


FIG. 5

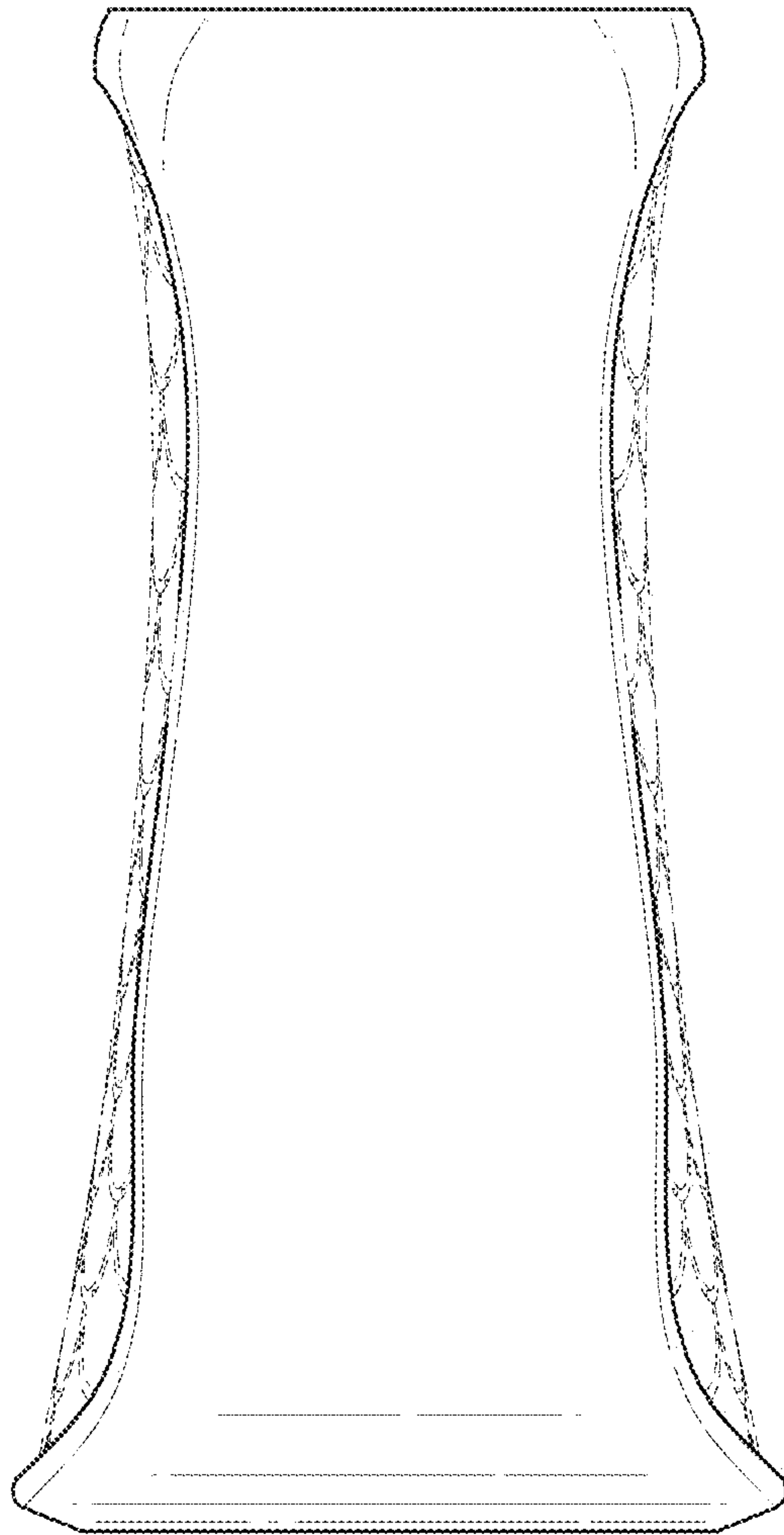


FIG. 6

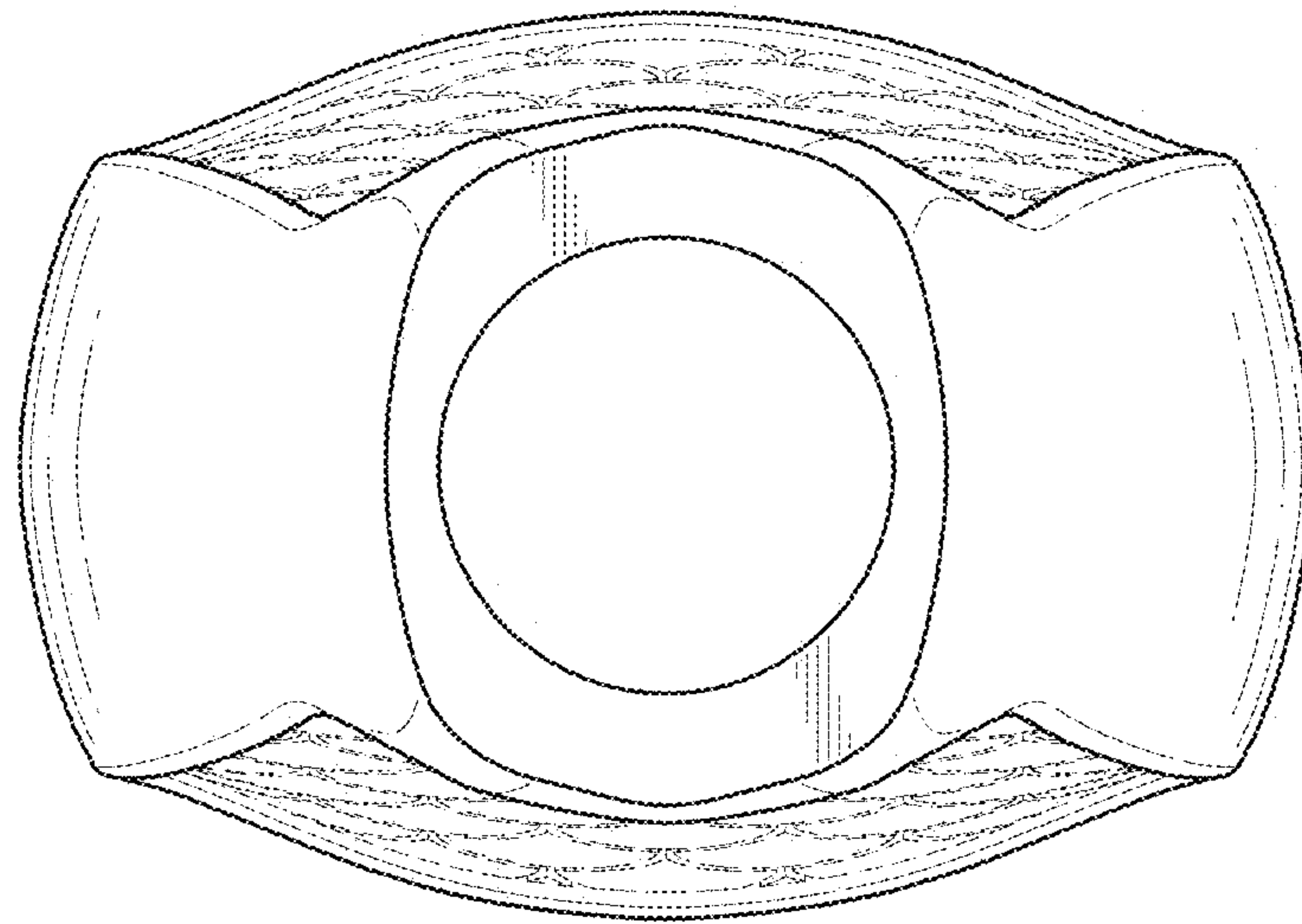


FIG. 7

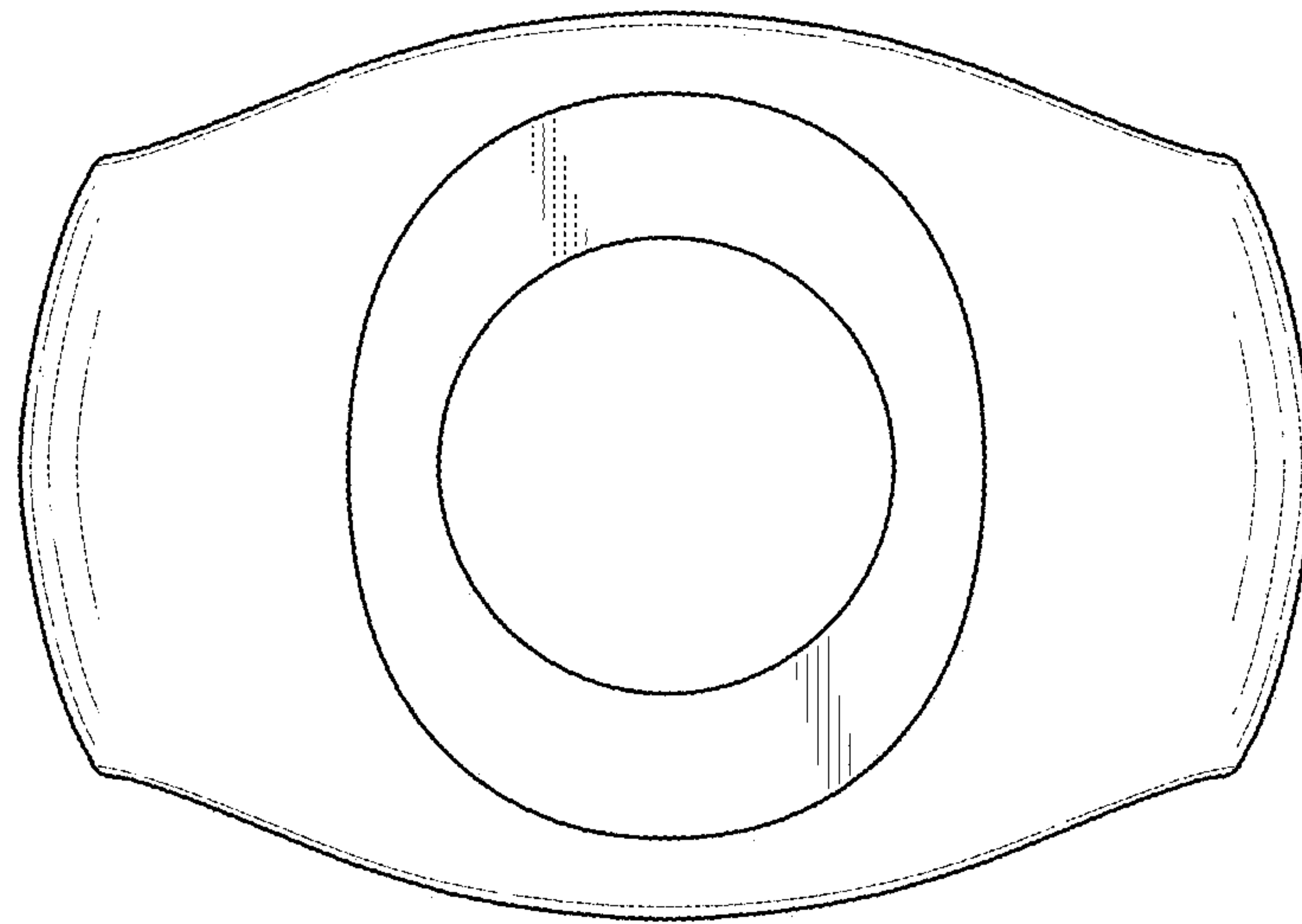


FIG. 8