



US00D879910S

(12) **United States Design Patent**  
**Gu**

(10) **Patent No.:** **US D879,910 S**

(45) **Date of Patent:** **\*\* Mar. 31, 2020**

(54) **ELECTRONIC PEST REPELLER**

(71) Applicant: **Tijun Gu**, Shenzhen (CN)

(72) Inventor: **Tijun Gu**, Shenzhen (CN)

(73) Assignee: **Shenzhen Fascent Technology Co., Ltd.**, Shenzhen (CN)

(\*\*) Term: **15 Years**

(21) Appl. No.: **29/675,245**

(22) Filed: **Dec. 29, 2018**

(51) **LOC (12) Cl.** ..... **22-06**

(52) **U.S. Cl.**  
USPC ..... **D22/120**

(58) **Field of Classification Search**  
USPC ..... D22/119–123; D23/366–369;  
43/112–114, 121, 124, 131, 132.1, 144  
CPC ..... A01M 1/04; A01M 1/145; A01M 1/08;  
A01M 1/106; A01M 1/026; A01M  
1/2011; A01M 29/00; A01M 29/12;  
A01M 29/16; A01M 29/34; A01M 29/28;  
A01M 31/008; A01M 2200/011; A01M  
2200/012; A01N 25/201; A01N 43/16;  
A01N 49/00

See application file for complete search history.

(56) **References Cited**

U.S. PATENT DOCUMENTS

D829,847 S *	10/2018	Gu	.....	D22/120
D836,748 S *	12/2018	Gu	.....	D22/120
D849,922 S *	5/2019	Gobber	.....	D23/366
D852,312 S *	6/2019	Gu	.....	D22/120
D857,147 S *	8/2019	Gu	.....	D22/120

\* cited by examiner

*Primary Examiner* — Catherine R Oliver-Garcia

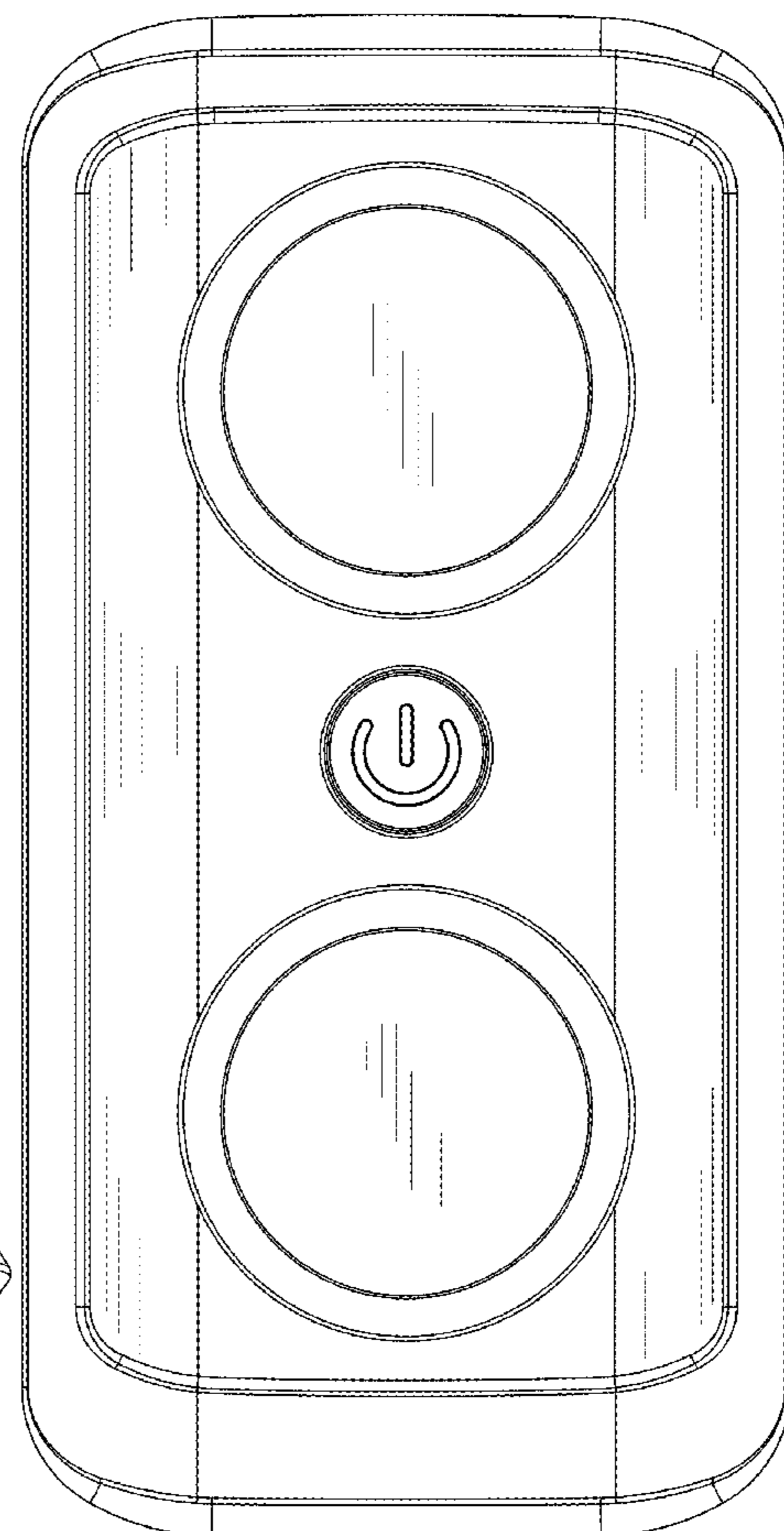
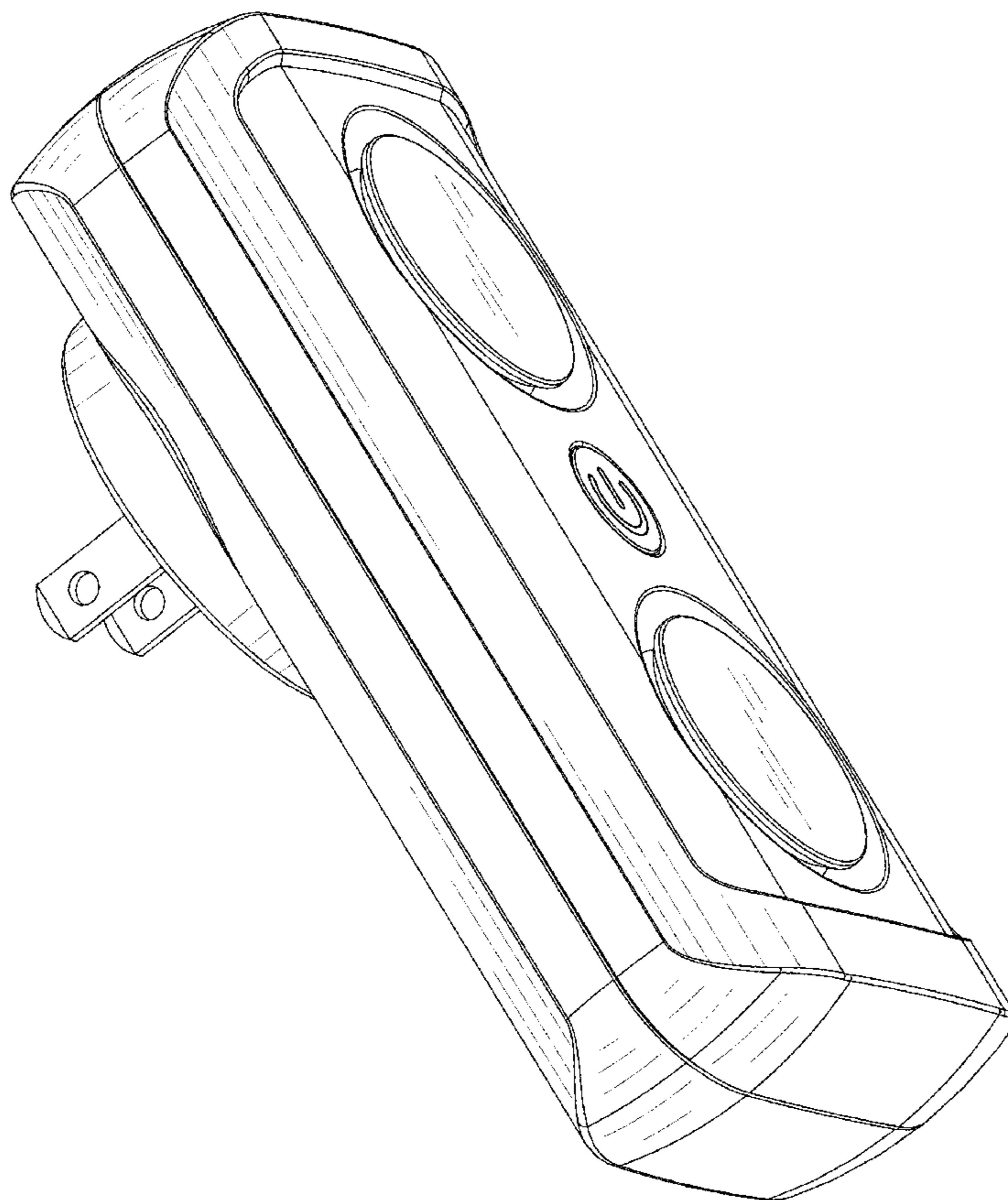
(57) **CLAIM**

The ornamental design for an electronic pest repeller, as shown and described.

**DESCRIPTION**

FIG. 1 is a front perspective view of the electronic pest repeller showing my new design;  
FIG. 2 is a rear perspective view thereof;  
FIG. 3 is a front elevational view thereof;  
FIG. 4 is a rear elevational view thereof;  
FIG. 5 is a left side elevational view thereof;  
FIG. 6 is a right side elevational view thereof;  
FIG. 7 is a top plan view thereof; and,  
FIG. 8 is a bottom plan view thereof.

**1 Claim, 8 Drawing Sheets**



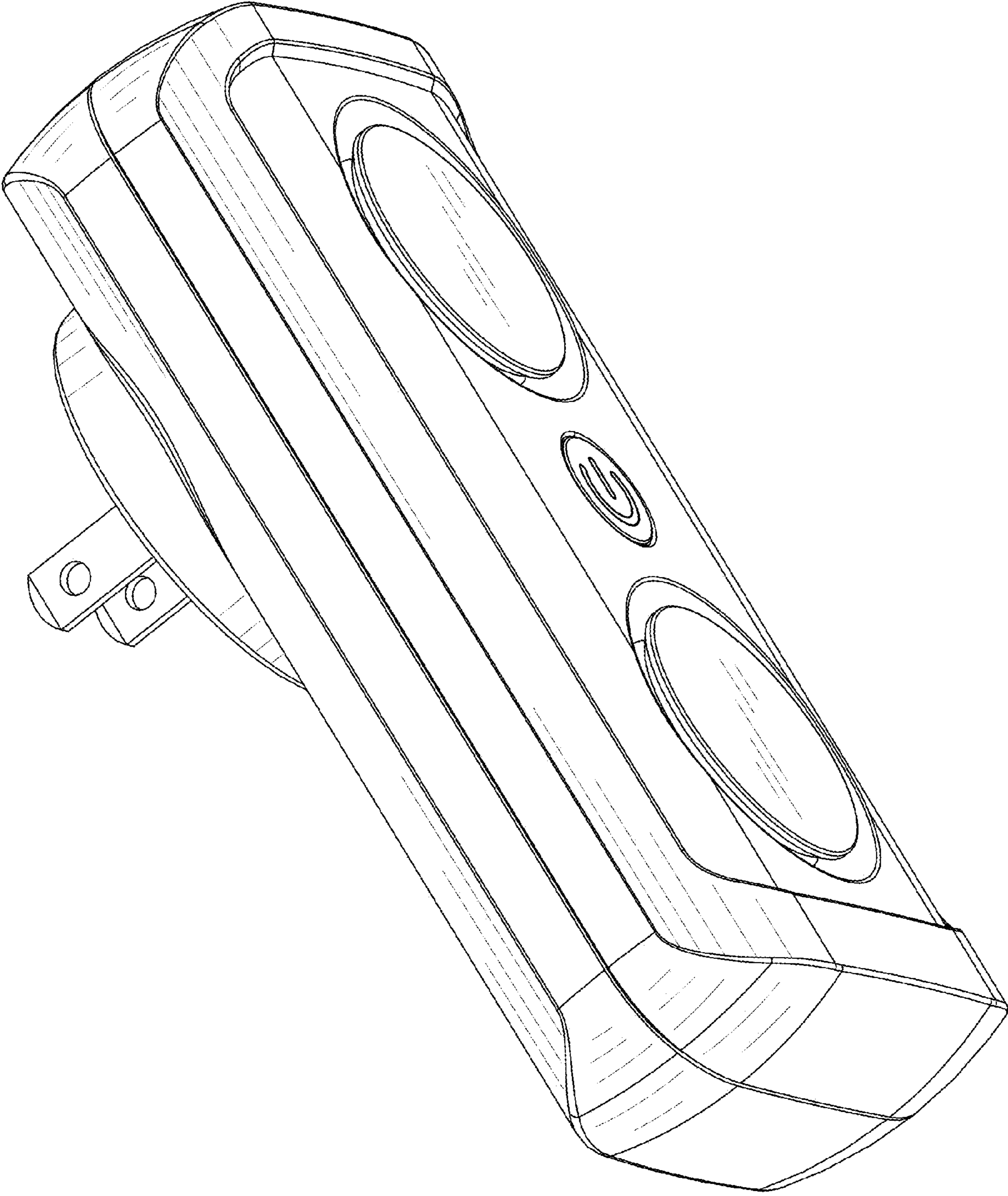


FIG. 1

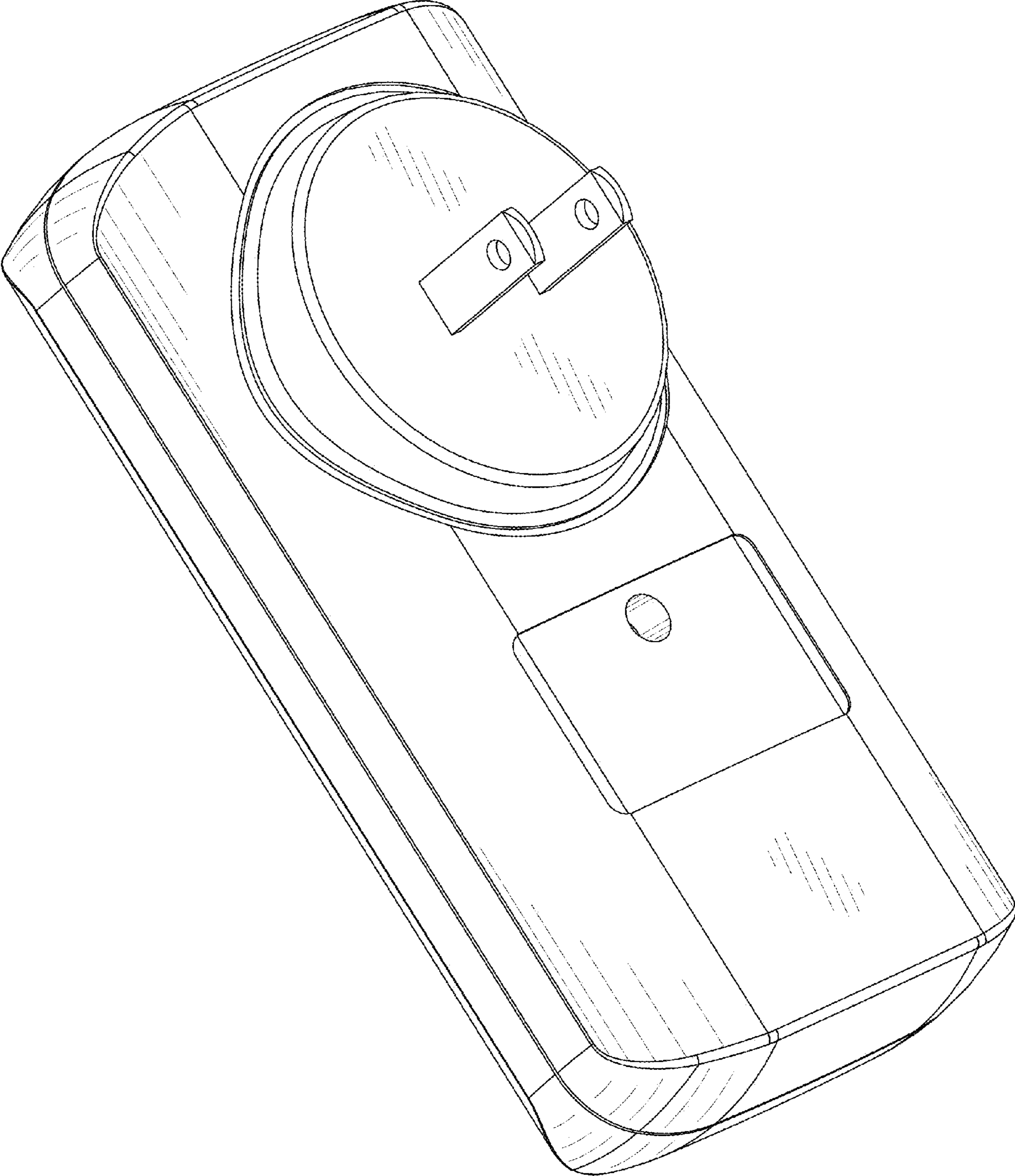


FIG. 2

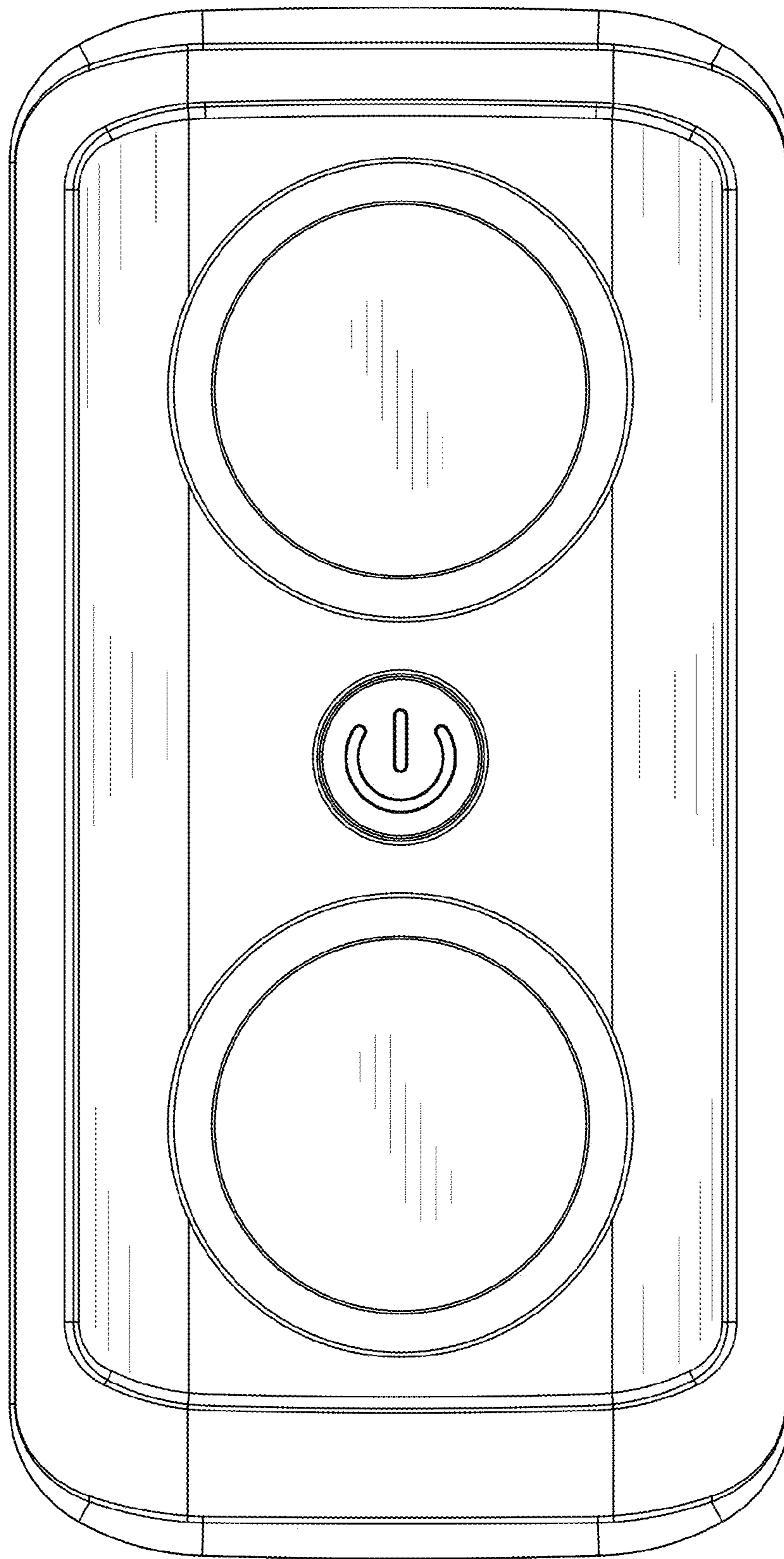


FIG. 3

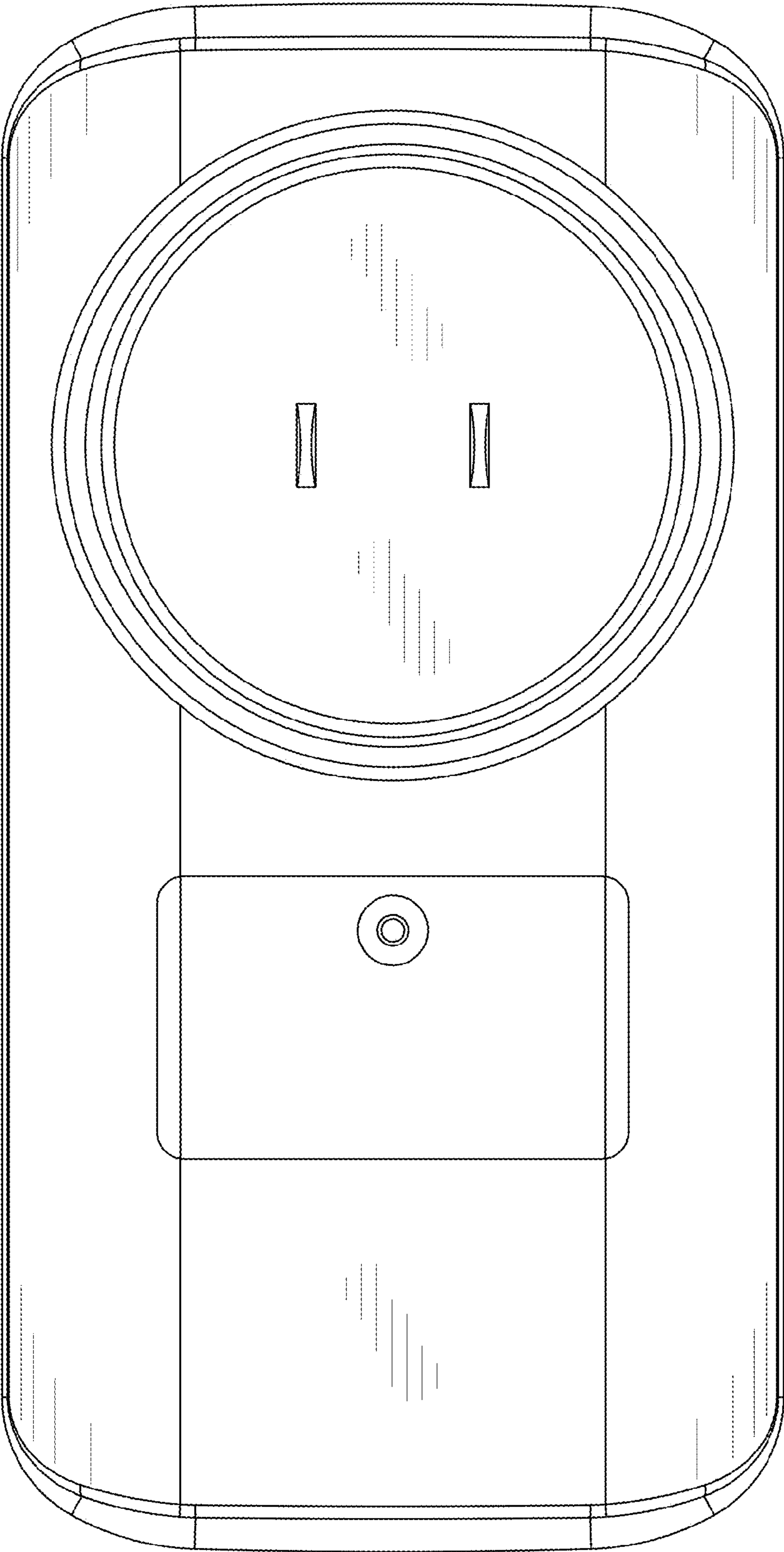


FIG. 4

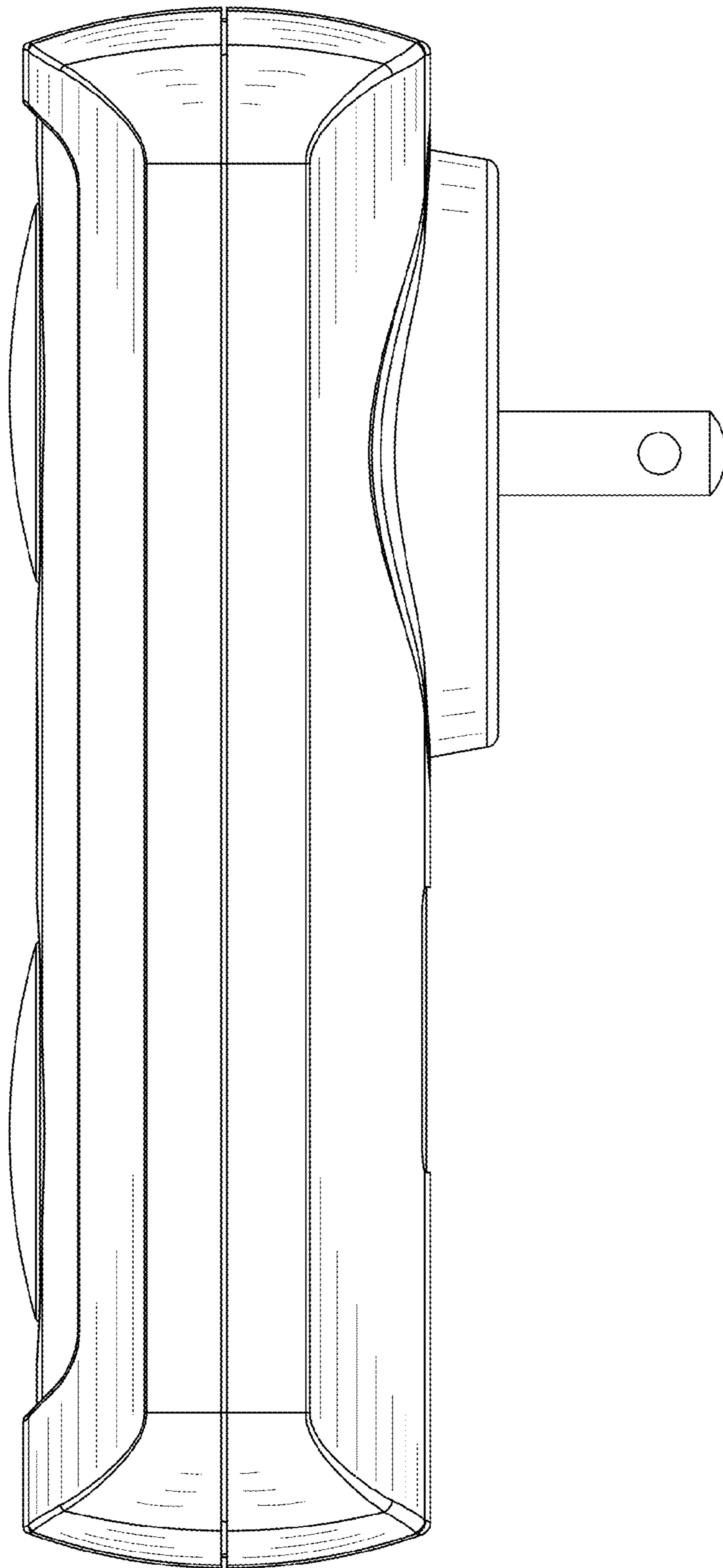


FIG. 5

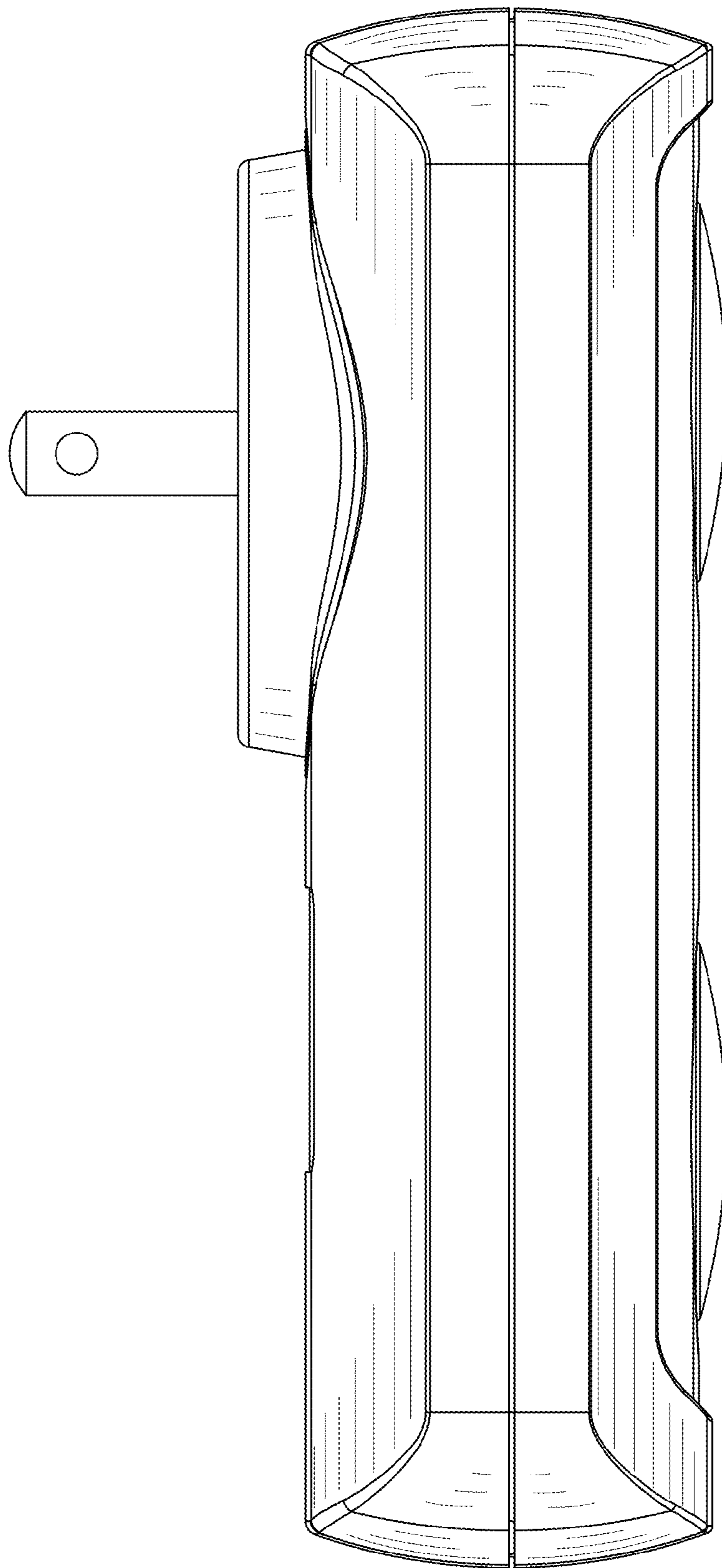


FIG. 6

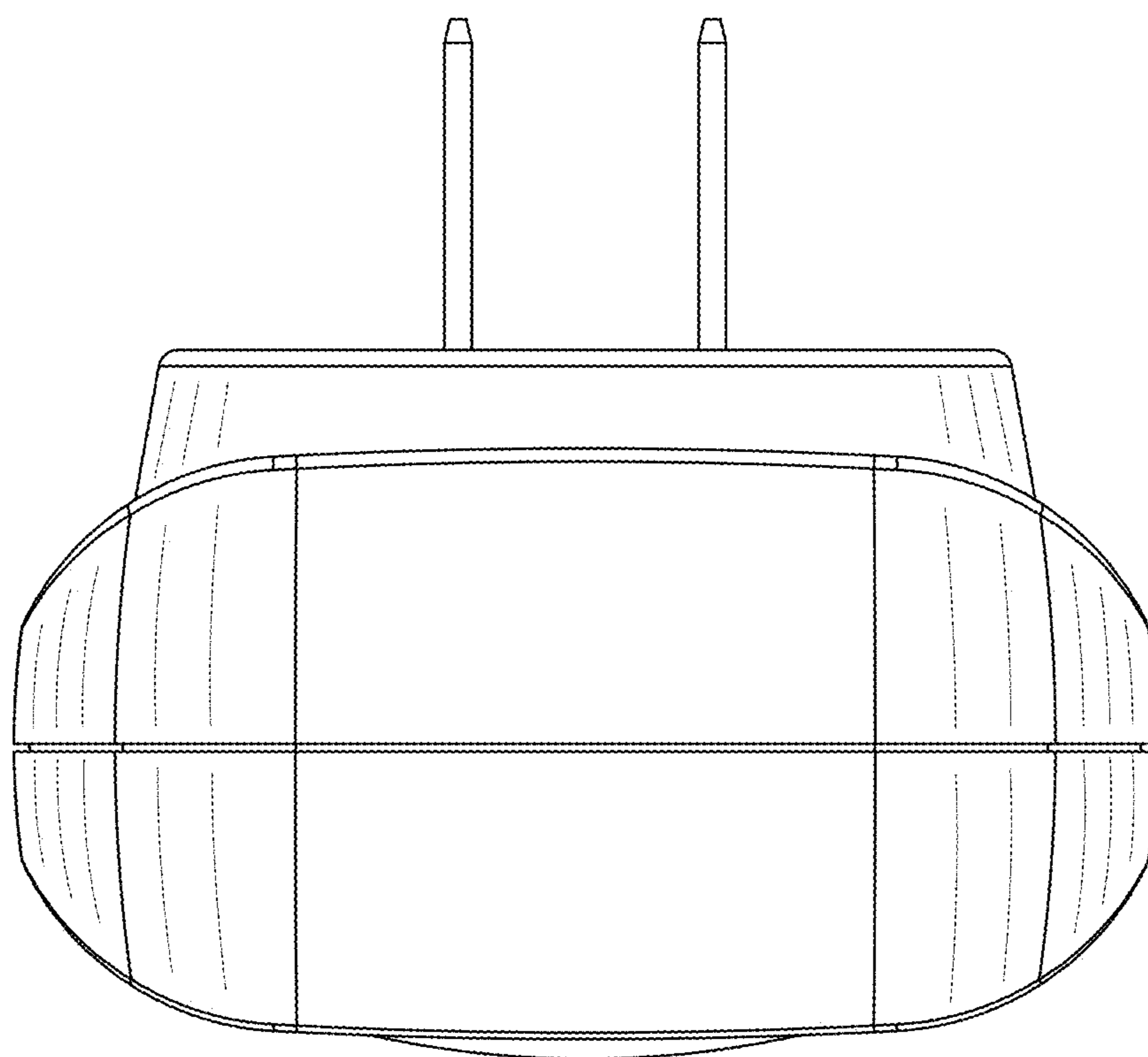


FIG. 7



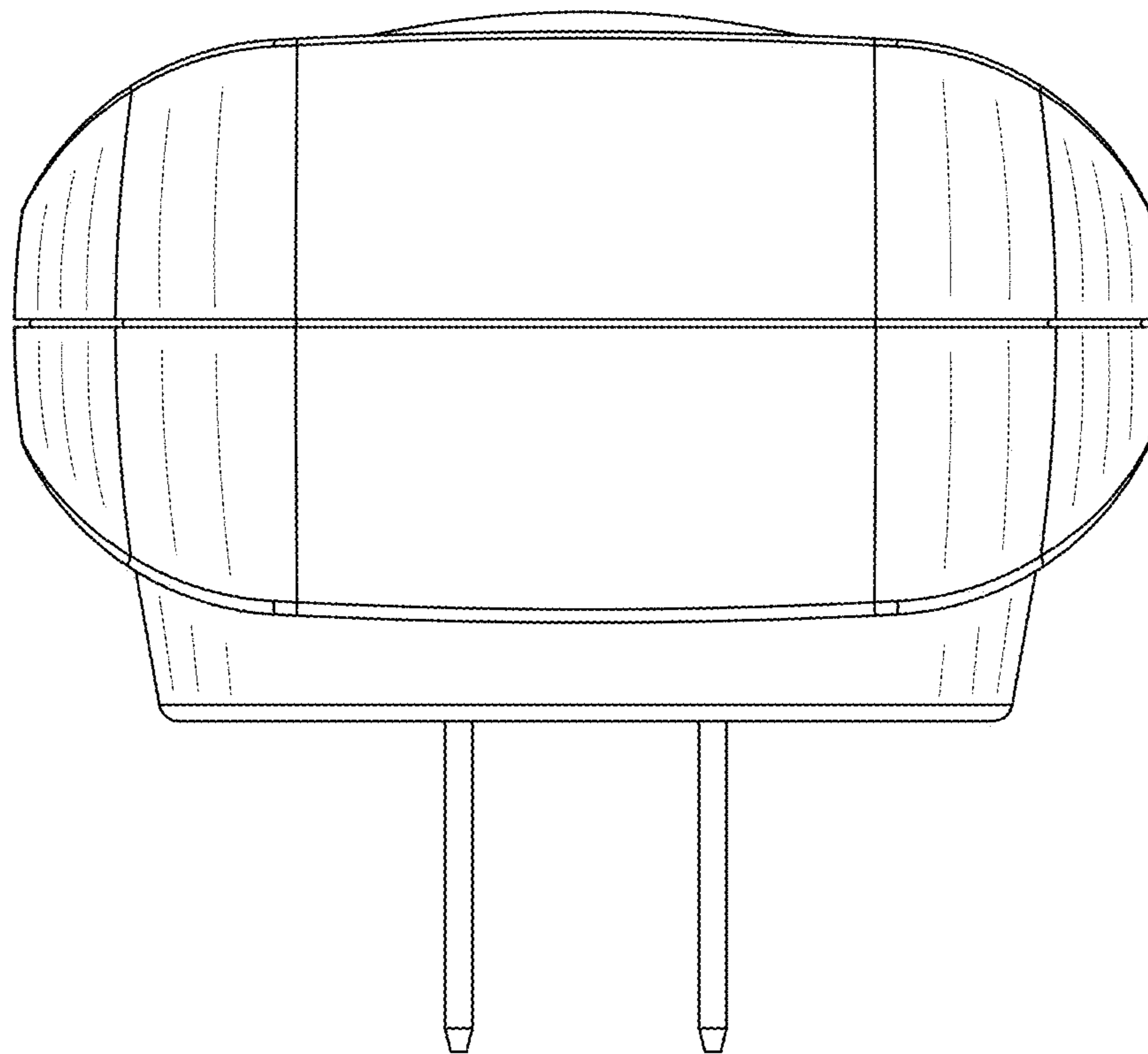


FIG. 8