



US00D879909S

(12) **United States Design Patent**
Gilbarte

(10) **Patent No.:** **US D879,909 S**
(45) **Date of Patent:** **** Mar. 31, 2020**

(54) **STUN GUN AND UMBRELLA
COMBINATION**

(71) Applicant: **Cutting Edge Products, Inc.**,
Winterville, NC (US)

(72) Inventor: **Ray Gilbarte**, Winterville, NC (US)

(73) Assignee: **CUTTING EDGE PRODUCTS, INC.**,
Winterville, NC (US)

(**) Term: **15 Years**

(21) Appl. No.: **29/677,088**

(22) Filed: **Jan. 17, 2019**

(51) **LOC (12) Cl.** **22-02**

(52) **U.S. Cl.**
USPC **D22/117**

(58) **Field of Classification Search**
USPC D3/6, 13-14; D22/117; 220/830;
224/197; D10/106.1; 222/153.11, 182,
222/402.11, 175, 533
CPC B65D 83/384; F41H 9/10; G08B 21/02
See application file for complete search history.

(56) **References Cited**

U.S. PATENT DOCUMENTS

D747,521 S * 1/2016 Sheikh D22/117
D748,309 S * 1/2016 Cheng D22/117
D867,514 S * 11/2019 Gilbarte D22/117

OTHER PUBLICATIONS

SelfDefenseGearCo.com, Streetwise 32 Million Volt StunBrella
Stun Flashlight, 2002-2019.*

* cited by examiner

Primary Examiner — Catherine R Oliver-Garcia
(74) *Attorney, Agent, or Firm* — Mitchell Law PLLC;
Matthew W. Mitchell

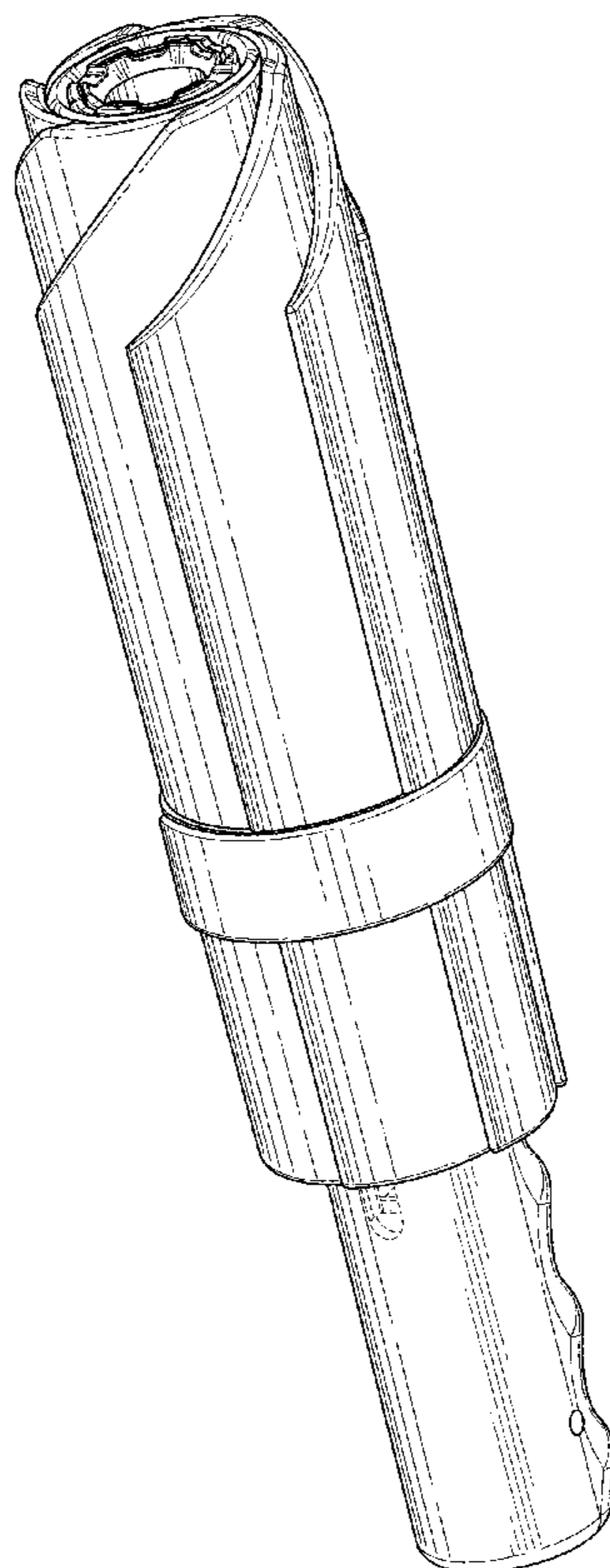
(57) **CLAIM**

The ornamental design for a stun gun and umbrella combi-
nation, as shown and described.

DESCRIPTION

FIG. 1 is a front perspective view of the stun gun and
umbrella combination of the present invention;
FIG. 2 is a left-side view thereof;
FIG. 3 is a right-side view thereof;
FIG. 4 is a rear view thereof;
FIG. 5 is a front view thereof;
FIG. 6 is a top plan view thereof; and,
FIG. 7 is a bottom plan view thereof.
The broken lines depict environmental structure and are
included for the purpose of illustration and forms no part of
the claimed design.

1 Claim, 7 Drawing Sheets



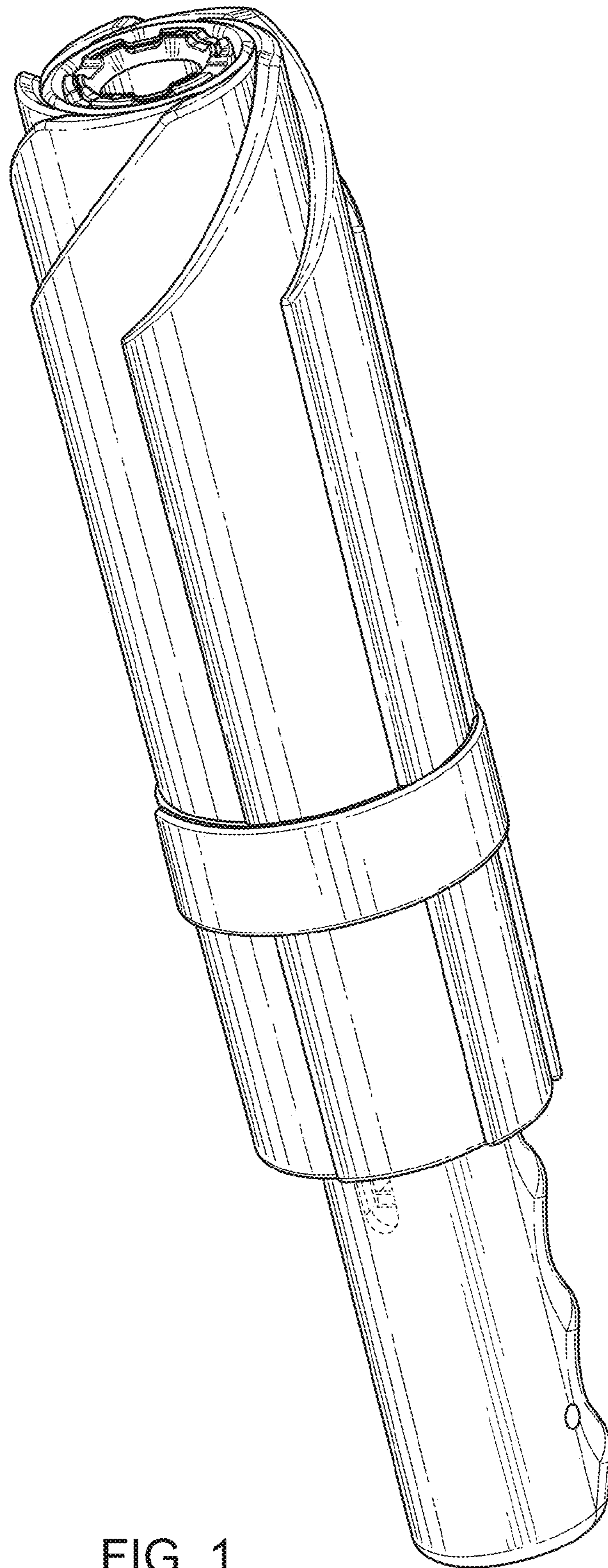


FIG. 1

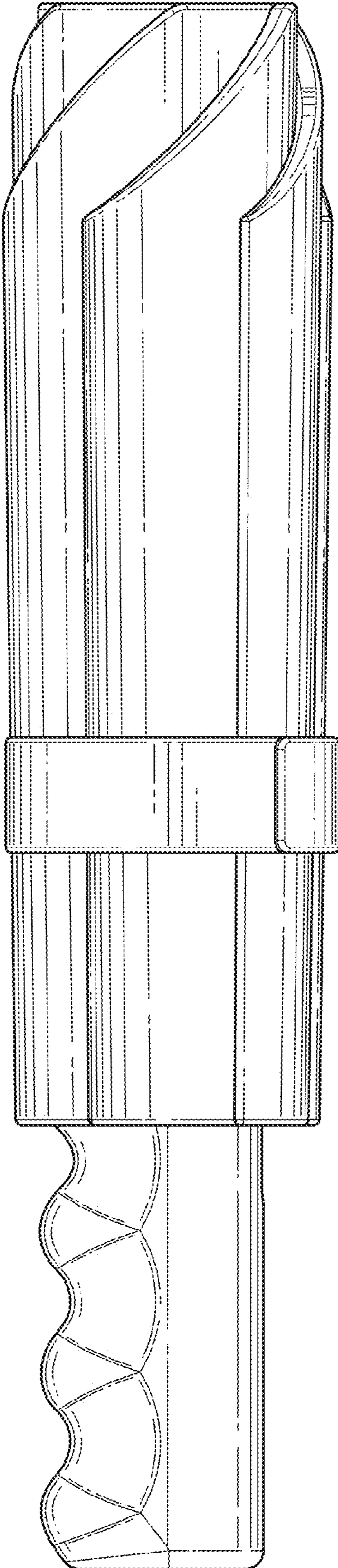


FIG. 2

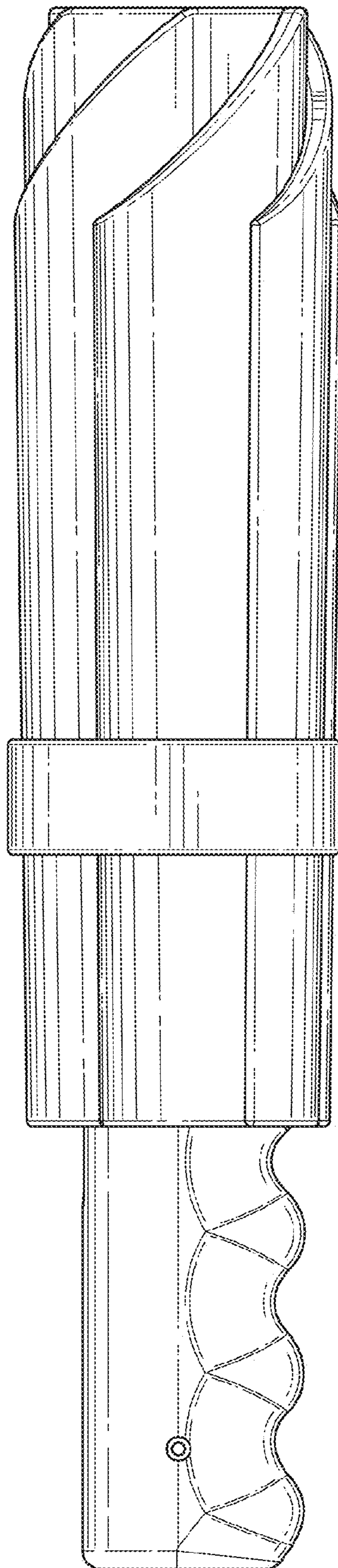


FIG. 3

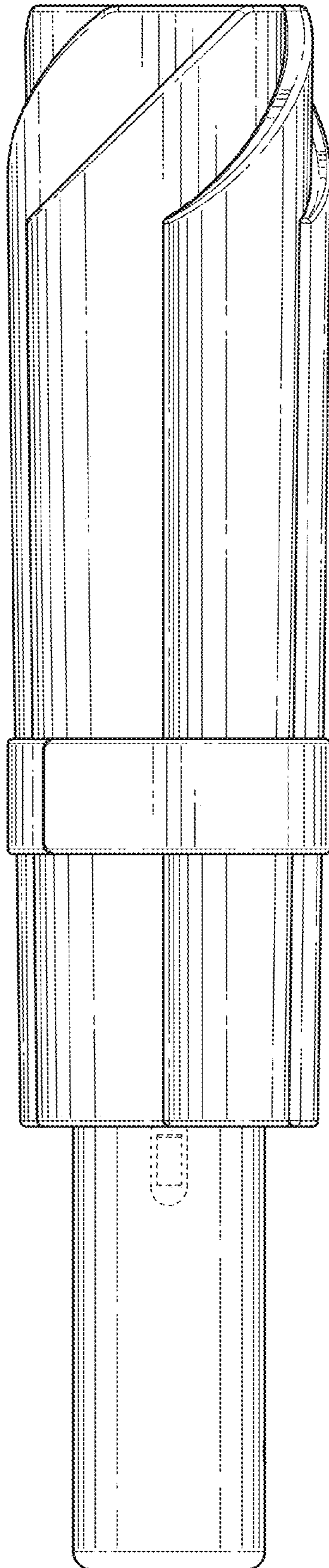


FIG. 4

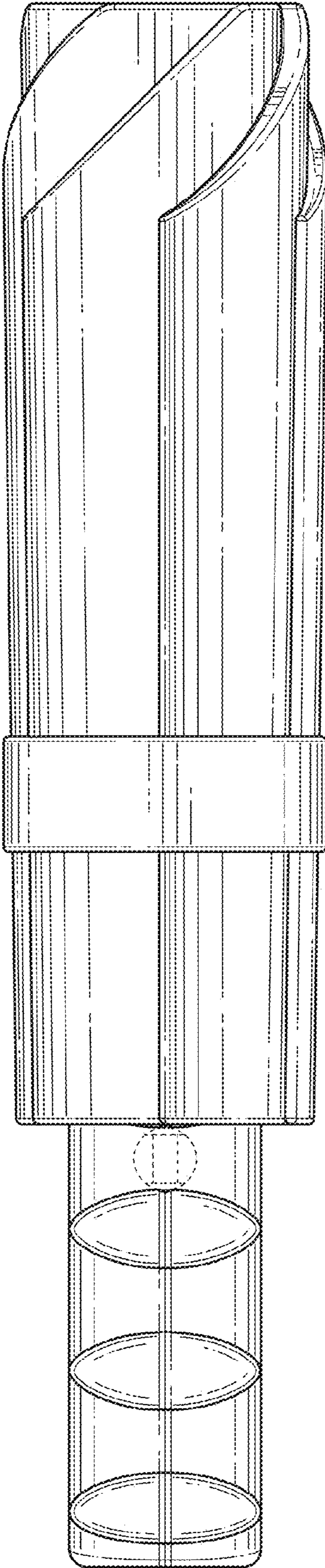


FIG. 5

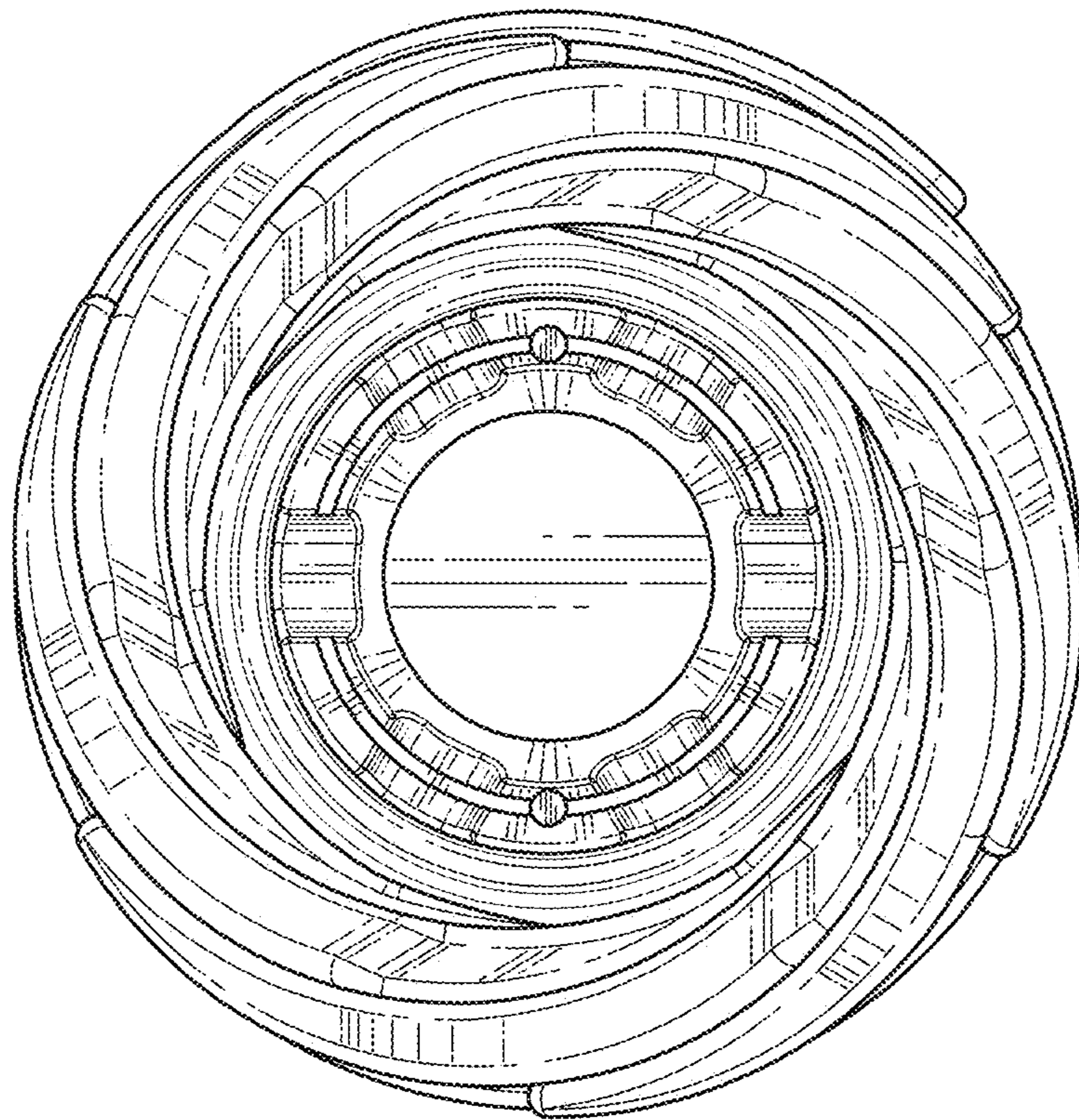


FIG. 6

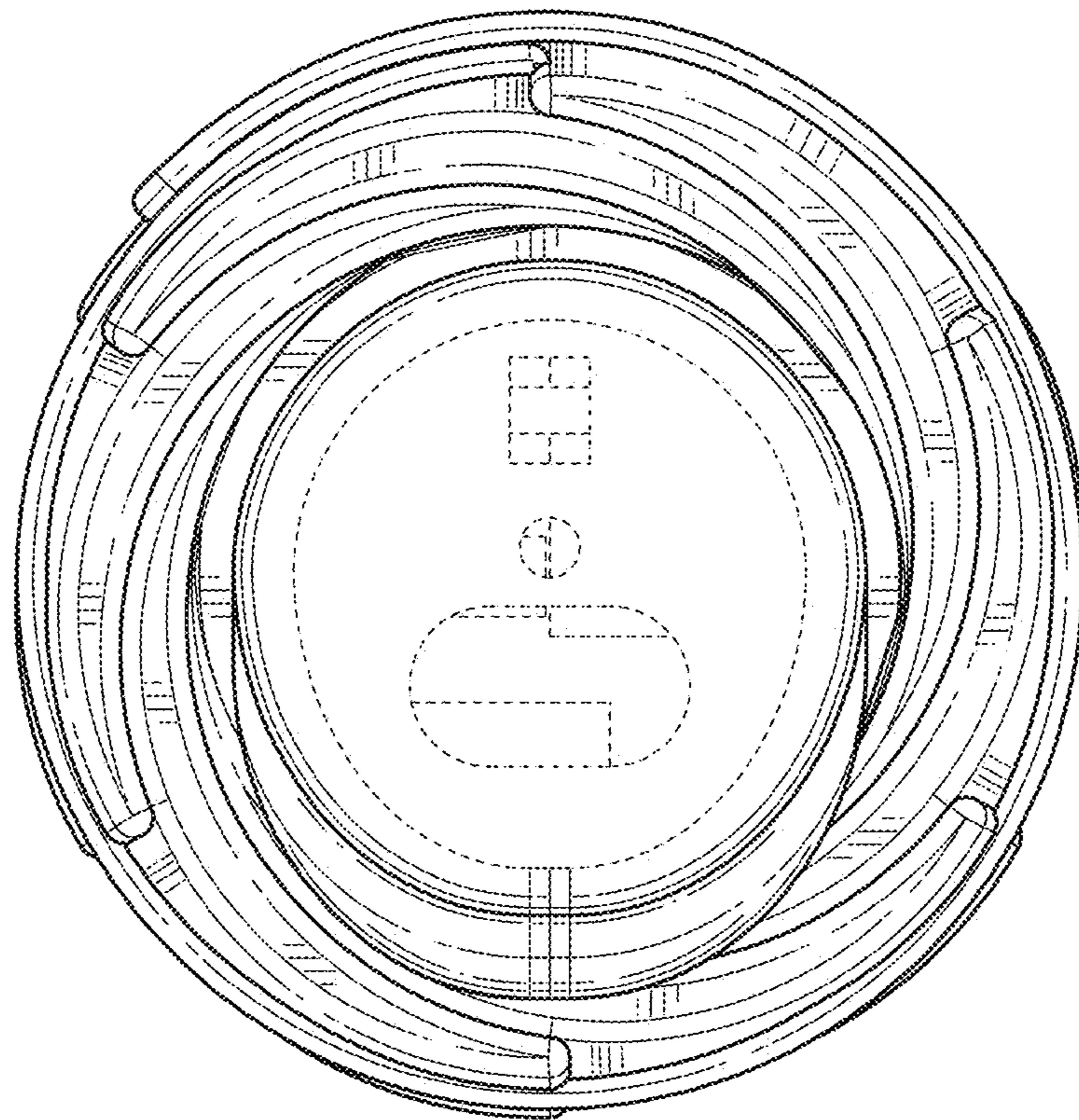


FIG. 7