

US00D879908S

(12) **United States Design Patent**
Nelson et al.

(10) **Patent No.: US D879,908 S**
(45) **Date of Patent: ** Mar. 31, 2020**

- (54) **TARGET RETRIEVER SYSTEM**
- (71) Applicant: **Action Target Inc.**, Provo, UT (US)
- (72) Inventors: **Jesse Nelson**, Lehi, UT (US); **Aaron Hanna**, Eastvale, CA (US); **Cameron Potter**, Fullerton, CA (US)
- (73) Assignee: **Action Target, Inc.**, Provo, UT (US)
- (**) Term: **15 Years**

D736,923 S * 8/2015 Snow D24/146
 D766,508 S * 9/2016 Wang D24/133
 D795,985 S * 8/2017 Frederickson D22/108
 (Continued)

- (21) Appl. No.: **29/629,713**
- (22) Filed: **Dec. 15, 2017**
- (51) **LOC (12) Cl.** **22-01**
- (52) **U.S. Cl.**
USPC **D22/113; D22/199; D21/721**
- (58) **Field of Classification Search**
USPC D22/108–110, 113–114, 199; D21/302,
D21/306, 307, 570, 573–575, 721;
D20/31, 41; D10/86; D24/133, 140
CPC . F41J 1/00; F41J 1/02; F41J 5/00; F41J 5/12;
F41J 5/14; F41J 5/16; F41J 7/02
See application file for complete search history.

OTHER PUBLICATIONS

Shooting Range Industries, Target Retrieval System, posted at YouTube, posting date Aug. 13, 2014. Site visited Mar. 12, 2019. URL: <https://www.youtube.com/watch?v=A405_83ZanQ> (Year: 2014).*

(Continued)

Primary Examiner — Kevin K Rudzinski
Assistant Examiner — Kathleen L Jones
 (74) *Attorney, Agent, or Firm* — Bateman IP

(57) **CLAIM**

We claim the ornamental design for a target retriever system, substantially as shown and described.

DESCRIPTION

FIG. 1 is a perspective view of a target retriever system showing the new design;
 FIG. 2 is a front end view of target retriever system of FIG. 1 showing the new design;
 FIG. 3 is a rear end view of the target retriever system of FIG. 1 showing the new design;
 FIG. 4 is a left side view of the target retriever system of FIG. 1 showing the new design;
 FIG. 5 is a right side view of the target retriever system of FIG. 1 showing the new design;
 FIG. 6 is a top view of the target retriever system of FIG. 1 showing the new design; and,
 FIG. 7 is a bottom view of the target retriever system of FIG. 1 showing the new design.

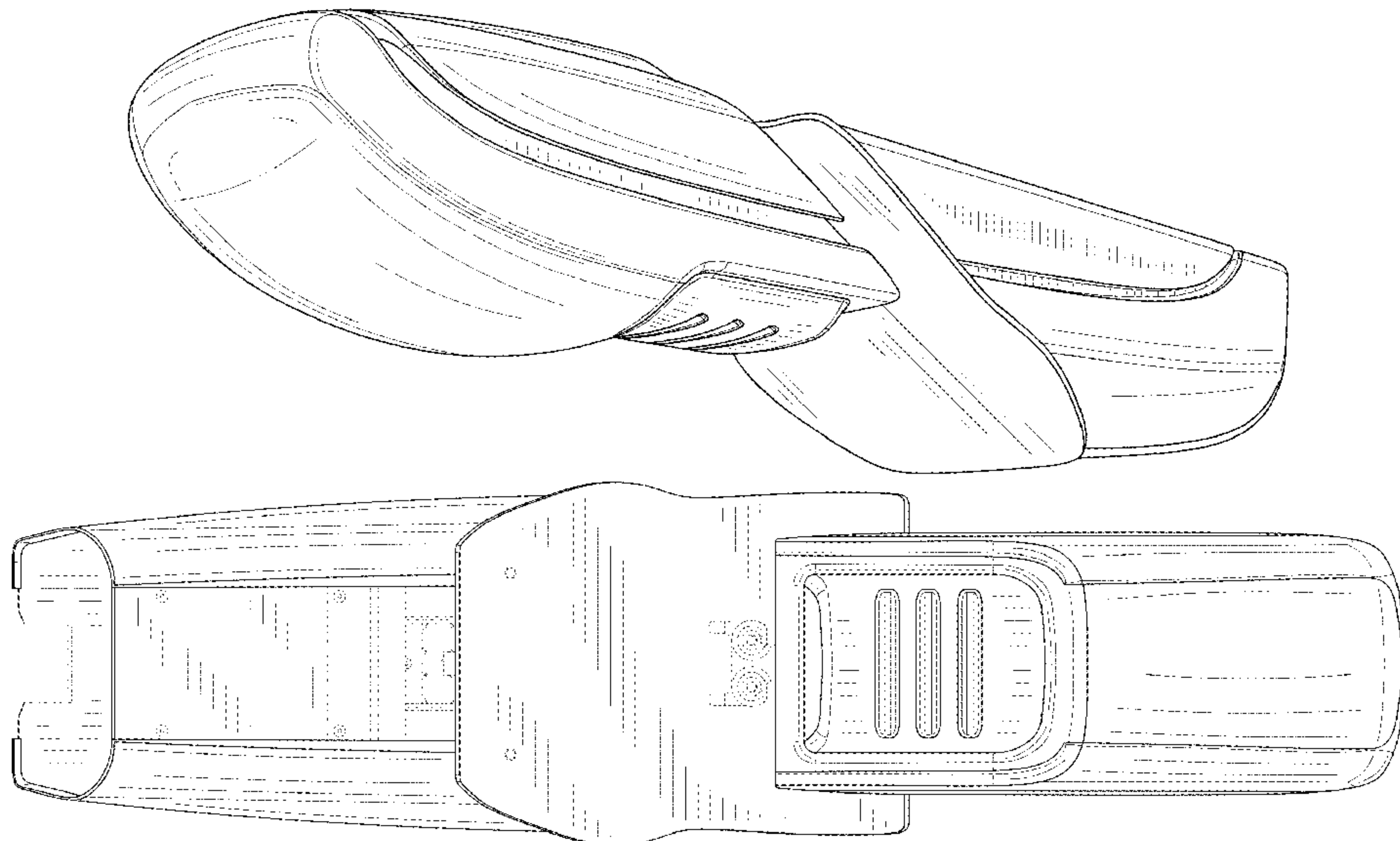
The broken lines showing one or more cameras mounted onto the target retriever system, screws, bolts, connections, internal components and recesses for connection on the target retriever system, are for illustrative purposes only and form no part of the claimed design.

(56) **References Cited**

U.S. PATENT DOCUMENTS

D404,746 S *	1/1999	Hormann	D15/148
D432,551 S *	10/2000	Luke	D15/199
D434,054 S *	11/2000	Luke	D15/199
D450,257 S *	11/2001	Bressler	D10/86
D522,894 S *	6/2006	Stowers	D10/86
D538,864 S *	3/2007	Crippen	D21/721
D553,032 S *	10/2007	Yuen	D10/86
D598,543 S *	8/2009	Vogel	D24/133
D628,289 S *	11/2010	Romero	D24/133
D628,290 S *	11/2010	Romero	D24/133
D641,453 S *	7/2011	Stone	D22/199
D641,468 S *	7/2011	Ruiz, Sr.	D24/133
D686,517 S *	7/2013	Chen	D10/86

1 Claim, 6 Drawing Sheets



(56)

References Cited

U.S. PATENT DOCUMENTS

D806,230 S * 12/2017 Johnson D24/112
 D828,899 S * 9/2018 Pierce D22/108
 D836,639 S * 12/2018 Volta D14/431
 2019/0212107 A1 * 7/2019 Sharp F41J 5/04

OTHER PUBLICATIONS

Action Target, AWD Pro Target Retriever / Ann Arbor Arms, posted at YouTube, posting date Jun. 15, 2016. Site visited Mar. 12, 2019. URL: <<https://www.youtube.com/watch?v=POKI7n44Dhg>> (Year: 2016).*

Action Target, Genesis: A New Era in Shooting Range Technology, posted at YouTube, posting date Jan. 14, 2019. Site visited Mar. 12, 2019. URL: <https://www.youtube.com/watch?v=k_b7TiPoWbY> (Year: 2019).*

Range Systems, “CR-2 Target Retrieval System” product literature, accessed at <[https://www.range-systems.com/wp-content/uploads/](https://www.range-systems.com/wp-content/uploads/2017/06/CR-2-Target-Retrieval-System-PDS.pdf)

[2017/06/CR-2-Target-Retrieval-System-PDS.pdf](https://www.range-systems.com/wp-content/uploads/2017/06/CR-2-Target-Retrieval-System-PDS.pdf)> at least as early as Mar. 8, 2017.

Range Systems, “CR-2TL Target Retrieval System” product literature, accessed at <<https://www.range-systems.com/wp-content/uploads/2017/06/CR-2TLTarget-Retrieval-System.pdf>> at least as early as Mar. 8, 2017.

Action Target Inc.’s MANCOM(TM) Touch Plus retriever, available at <<https://www.actiontarget.com/products/mancom-touch-plus/>>.

Action Target Inc.’s MANCOM(TM) Touch-N-Go retriever, available at <<https://www.actiontarget.com/products/mancom-touch-n-go/>>.

Action Target Inc.’s SRET retriever, available at <<https://www.actiontarget.com/products/sret/>>.

Savage Range System’s Basic Overhead Target Rail System, available at <<http://www.savagerangesystems.com/targetretrievalsystems/>>.

Meggitt Target Retrieval systems, available at <<https://meggitttrainingsystems.com/live-fire-training/law-enforcement-commercial-live-fire/target-retrieval-systems/>>.

* cited by examiner

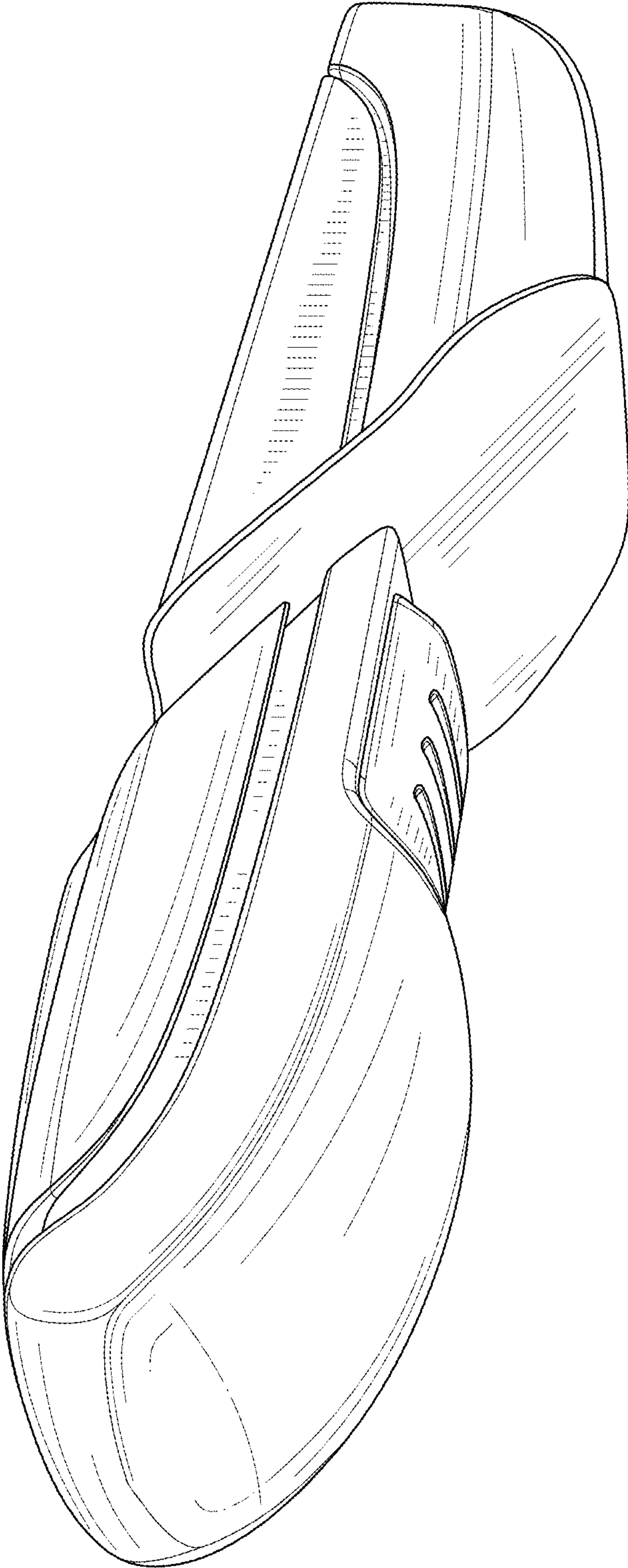


FIG. 1

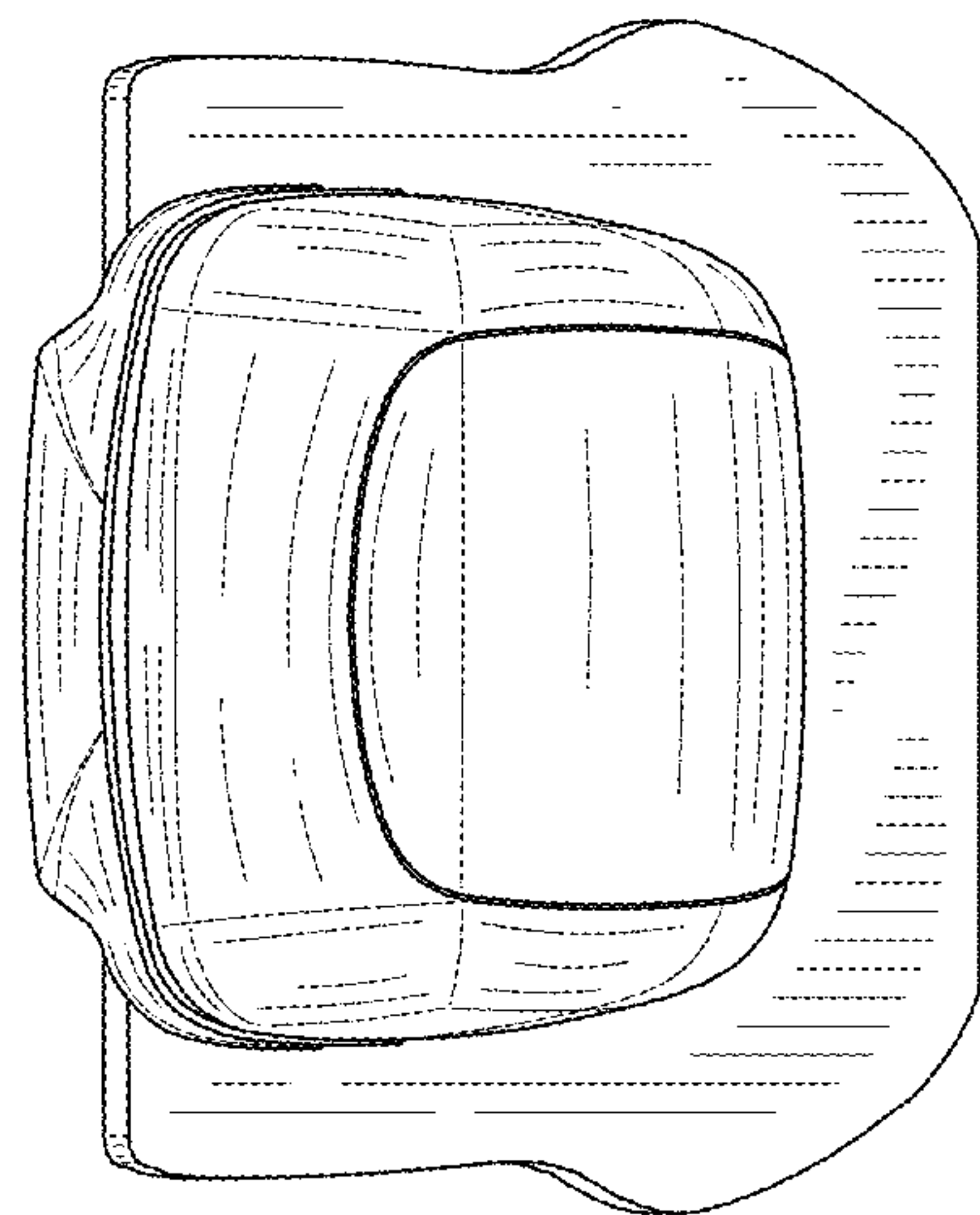


FIG. 2

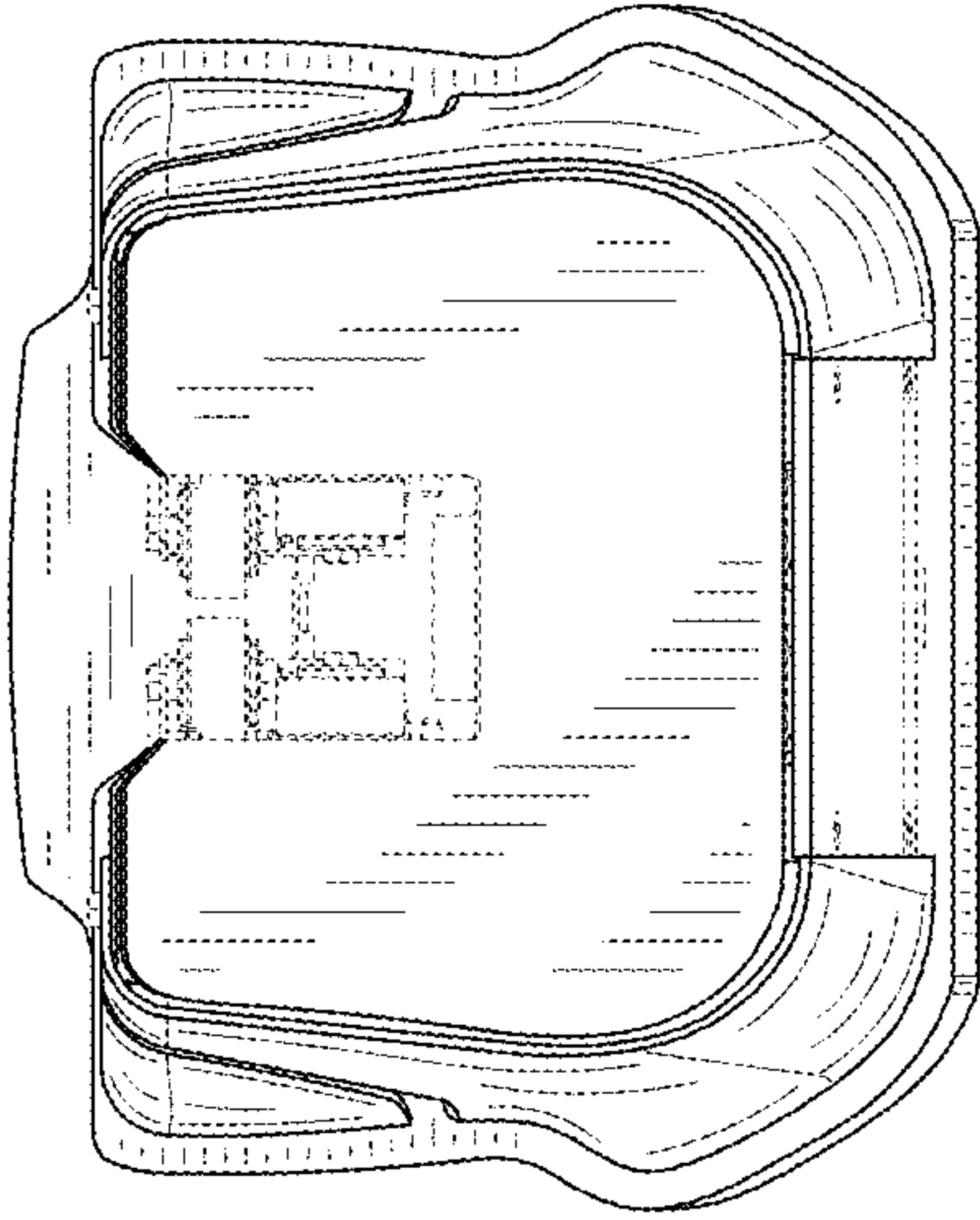


FIG. 3

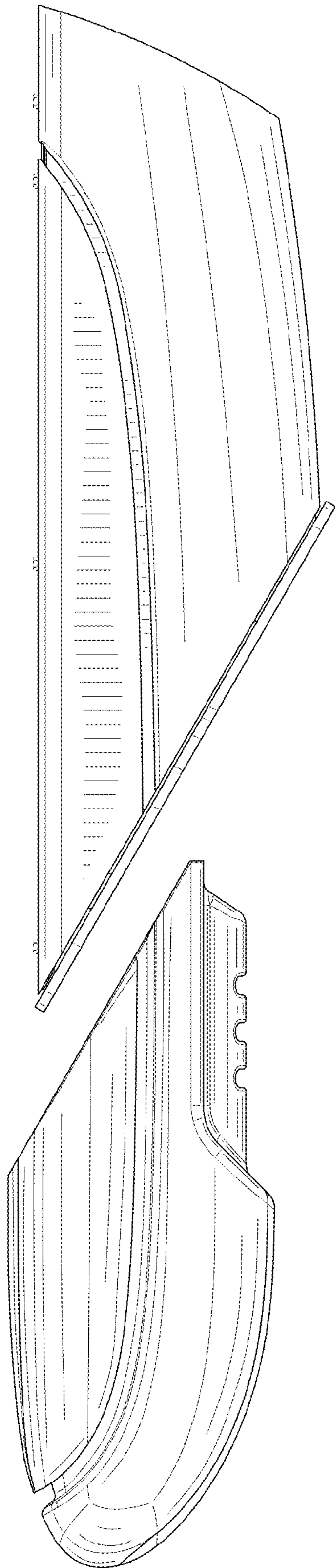


FIG. 4

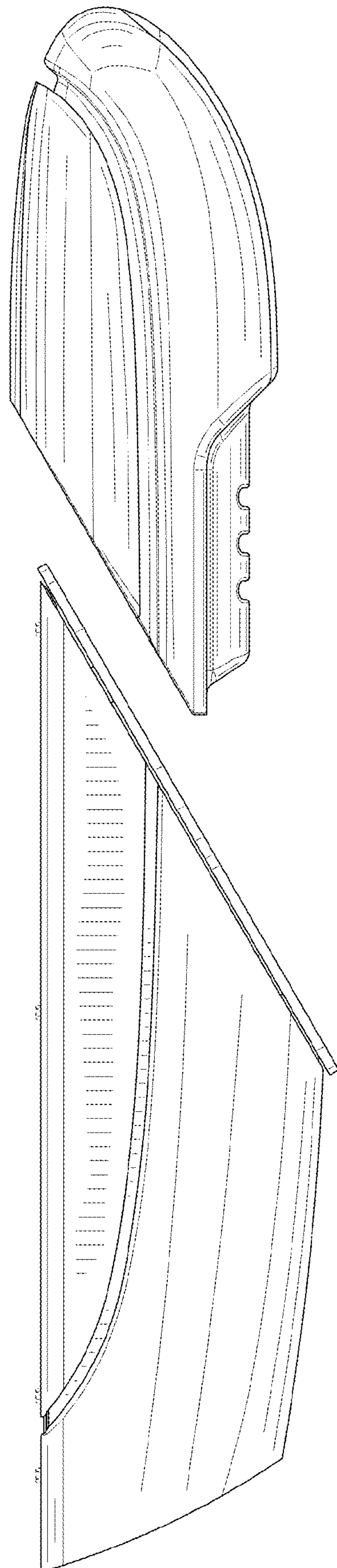


FIG. 5

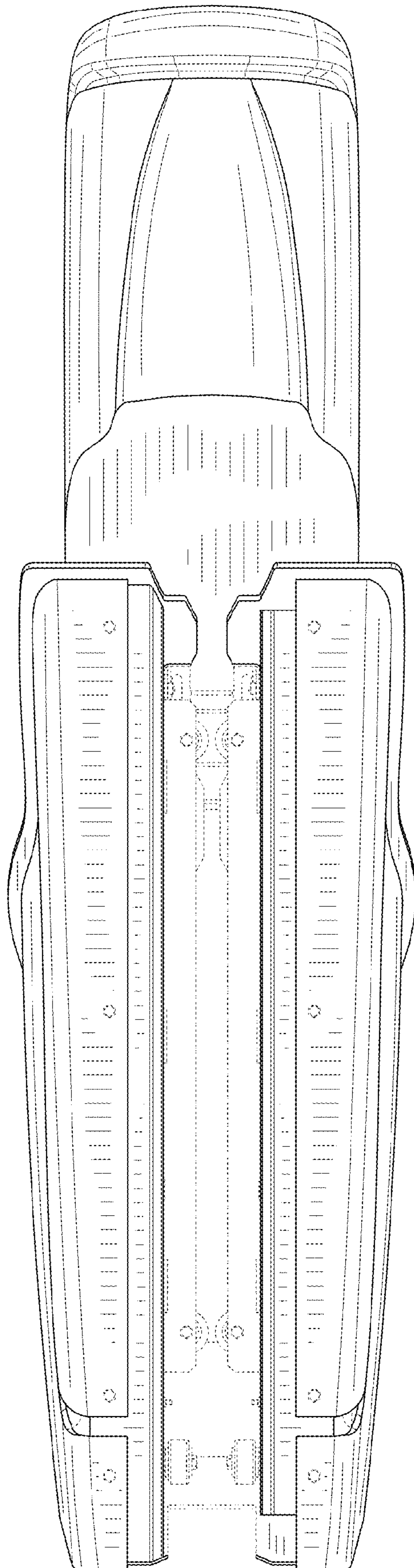


FIG. 6

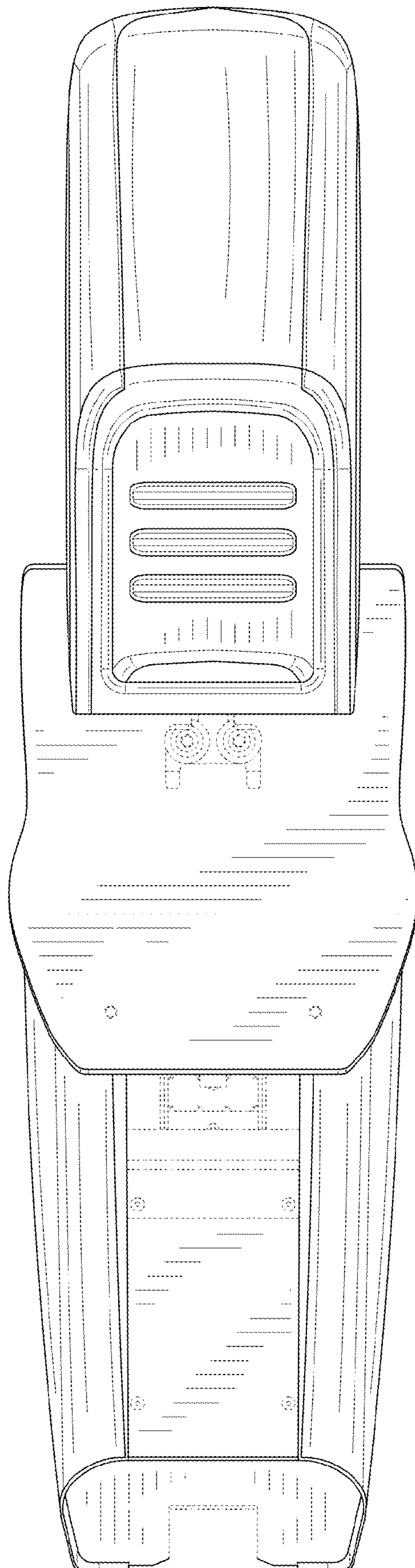


FIG. 7