



US00D879907S

(12) **United States Design Patent**
Prestwich et al.

(10) **Patent No.:** **US D879,907 S**
(45) **Date of Patent:** **** Mar. 31, 2020**

(54) **CASING FOR LASER SIGHT AND ASSOCIATED BRACE**

DESCRIPTION

(71) Applicants: **Matthew Prestwich**, Salt Lake City, UT (US); **Benjamin DeMann**, Salt Lake City, UT (US); **Saulo Maciel Mariano**, Buenos Aires (AR)

(72) Inventors: **Matthew Prestwich**, Salt Lake City, UT (US); **Benjamin DeMann**, Salt Lake City, UT (US); **Saulo Maciel Mariano**, Buenos Aires (AR)

(**) Term: **15 Years**

(21) Appl. No.: **29/661,353**

(22) Filed: **Aug. 27, 2018**

(51) **LOC (12) Cl.** **22-01**

(52) **U.S. Cl.**
USPC **D22/109**

(58) **Field of Classification Search**
USPC **D22/108-109**

(Continued)

(56) **References Cited**

U.S. PATENT DOCUMENTS

D738,455 S * 9/2015 Homem de Mello Anderson
D22/109

D762,806 S * 8/2016 Chavez D22/109
(Continued)

Primary Examiner — Michael A. Pratt

(74) *Attorney, Agent, or Firm* — Dobbin IP Law P.C.;
Geoffrey E. Dobbin

(57) **CLAIM**

The ornamental design for a casing for a laser sight and associated brace, as shown and described.

FIG. 1 is a perspective view of the casing for a laser sight, with the associated brace.

FIG. 2 is a side elevation of the casing for a laser sight, with the associated brace.

FIG. 3 is a top plan view of the casing for a laser sight, with the associated brace.

FIG. 4 is an exploded view of the casing for a laser sight and associated brace.

FIG. 5 is a perspective view of the associated brace.

FIG. 6 is another perspective view of the associated brace.

FIG. 7 is a further perspective view of the associated brace.

FIG. 8 is a left elevation of the associated brace.

FIG. 9 is a right elevation of the associated brace.

FIG. 10 is a front elevation of the associated brace.

FIG. 11 is a rear elevation of the associated brace.

FIG. 12 is a top plan view of the associated brace.

FIG. 13 is a bottom plan view of the associated brace.

FIG. 14 is an alternate perspective view of the casing for a laser sight.

FIG. 15 is another perspective view of the casing for a laser sight.

FIG. 16 is a further perspective view of the casing for a laser sight.

FIG. 17 is a still further perspective view of the casing for a laser sight

FIG. 18 is a left elevation of the casing for a laser sight.

FIG. 19 is a right elevation of the casing for a laser sight.

FIG. 20 is a top plan view of the casing for a laser sight.

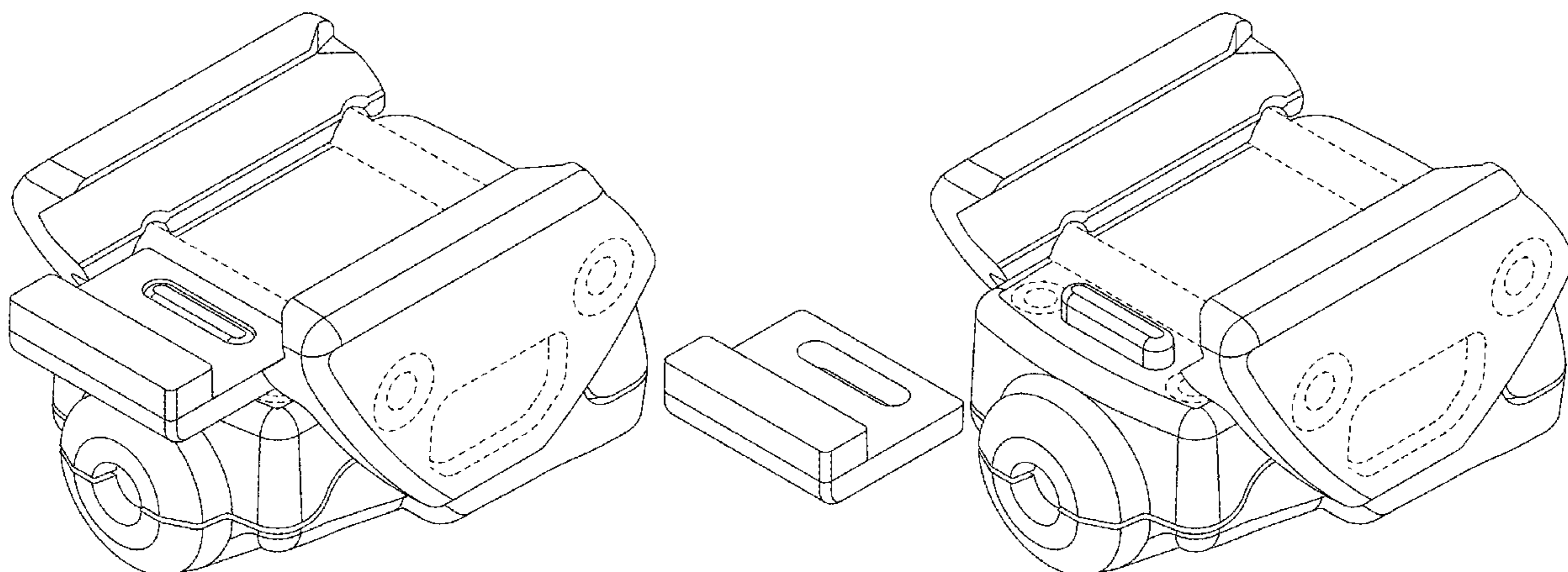
FIG. 21 is a bottom plan view of the casing for a laser sight.

FIG. 22 is a front elevation of the casing for a laser sight; and,

FIG. 23 is a rear elevation of the casing for a laser sight.

The broken lines in the figures are for the purpose of illustration portions of the casing for a laser sight and associated brace which are not intended to form a part of the claimed design.

1 Claim, 12 Drawing Sheets



(58) **Field of Classification Search**

CPC . F41G 1/35; F41G 11/003; F41G 1/00; F41G
1/36; F41G 1/34; F41G 3/26

See application file for complete search history.

(56) **References Cited**

U.S. PATENT DOCUMENTS

D800,864	S	*	10/2017	Hartley	D22/109
10,344,959	B2	*	7/2019	Worman	F21V 23/0421
D862,633	S	*	10/2019	Tuller	D22/109
2015/0124436	A1	*	5/2015	Galli	F41G 11/003 362/110
2018/0321015	A1	*	11/2018	Hedeen	F41G 1/35
2019/0154243	A1	*	5/2019	Worman	F21V 19/004

* cited by examiner

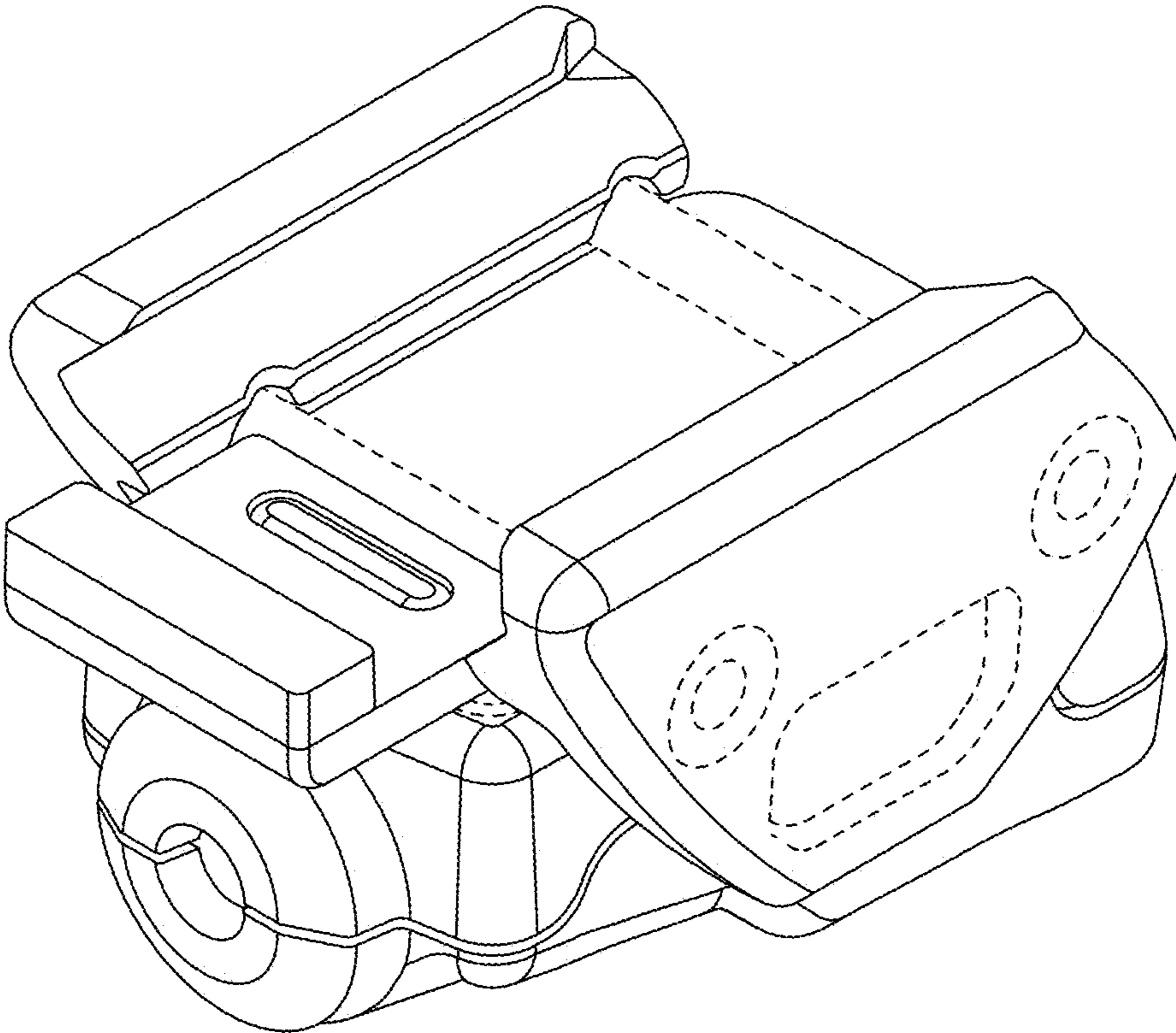


FIG. 1

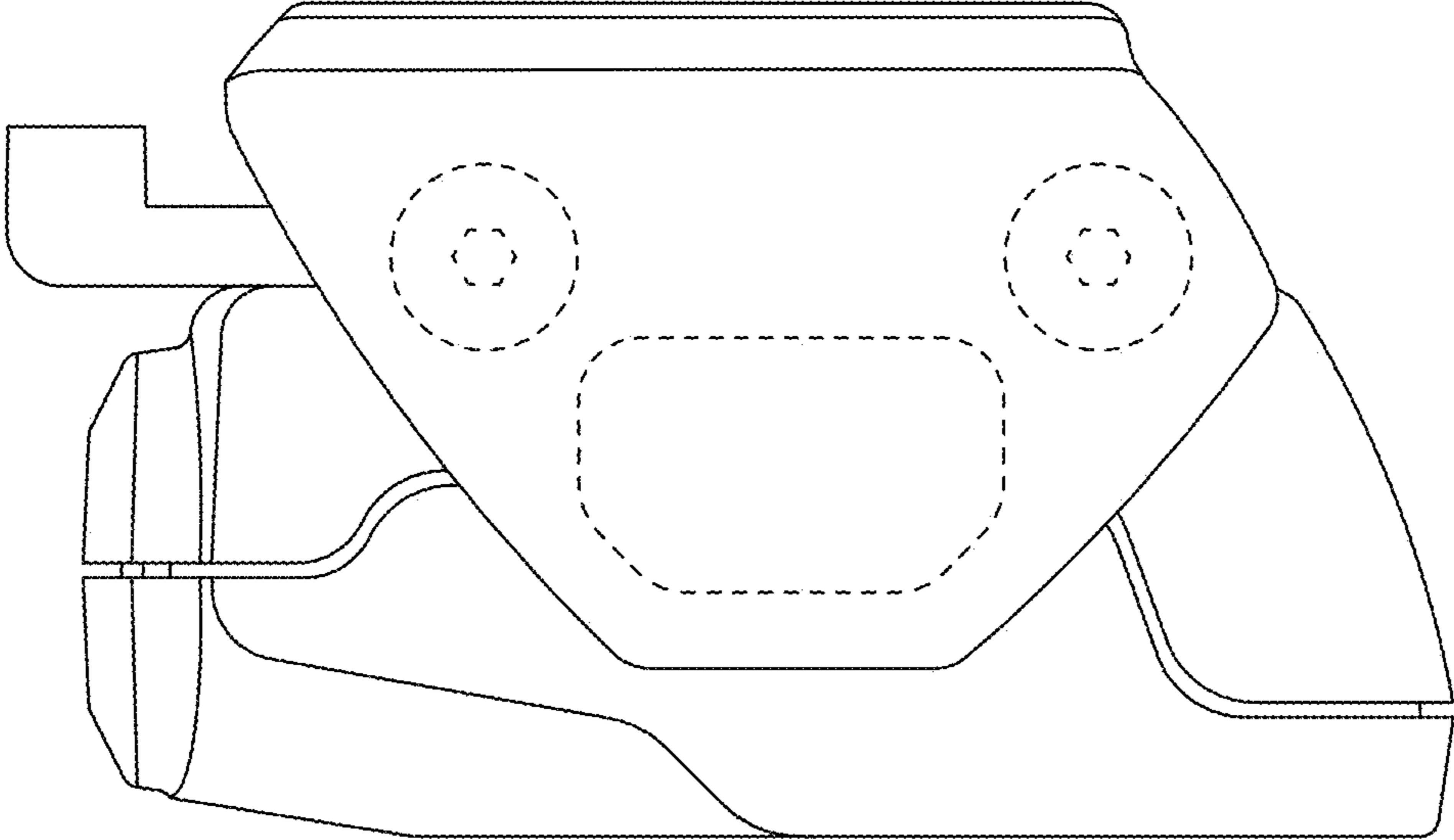


FIG. 2

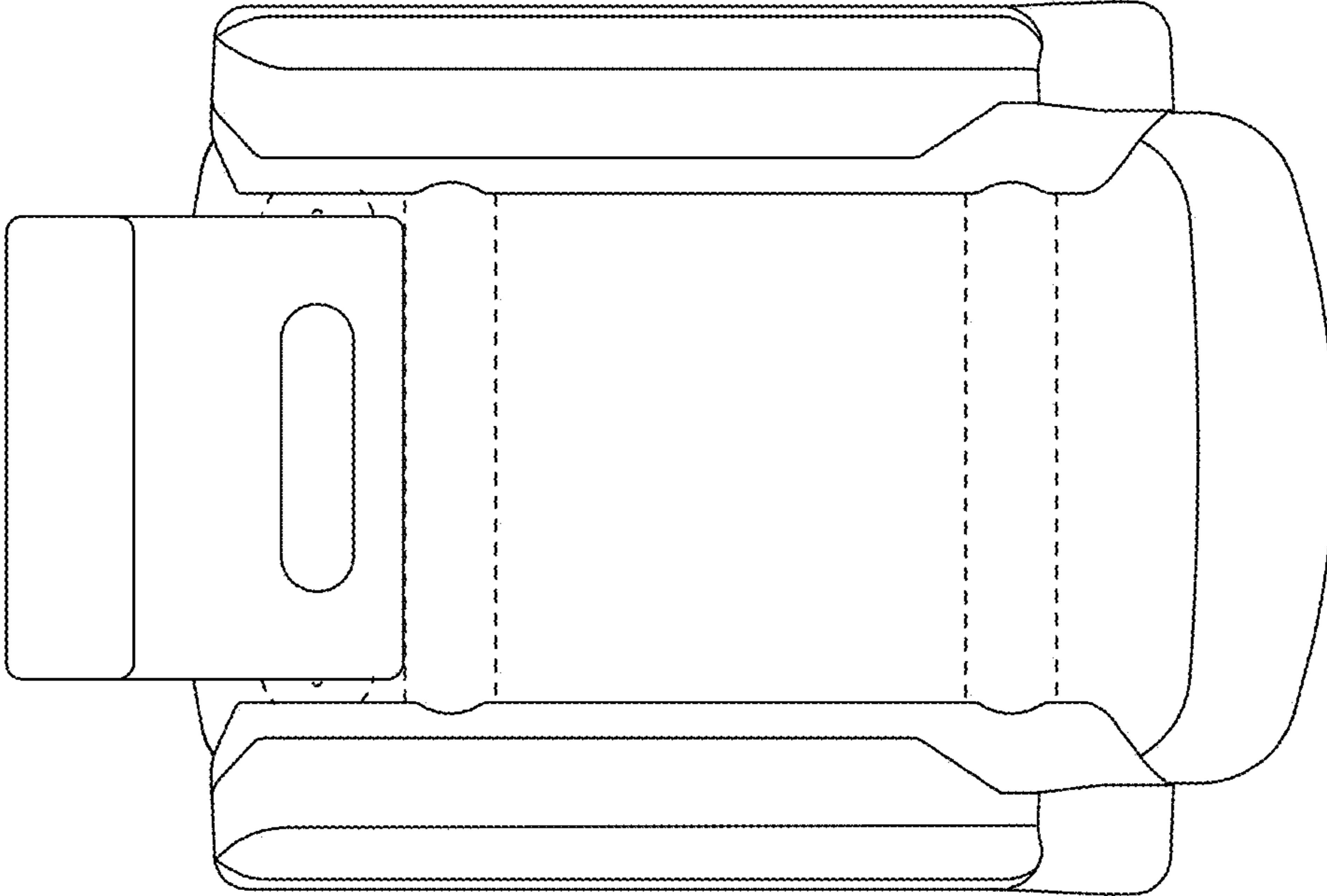


FIG. 3

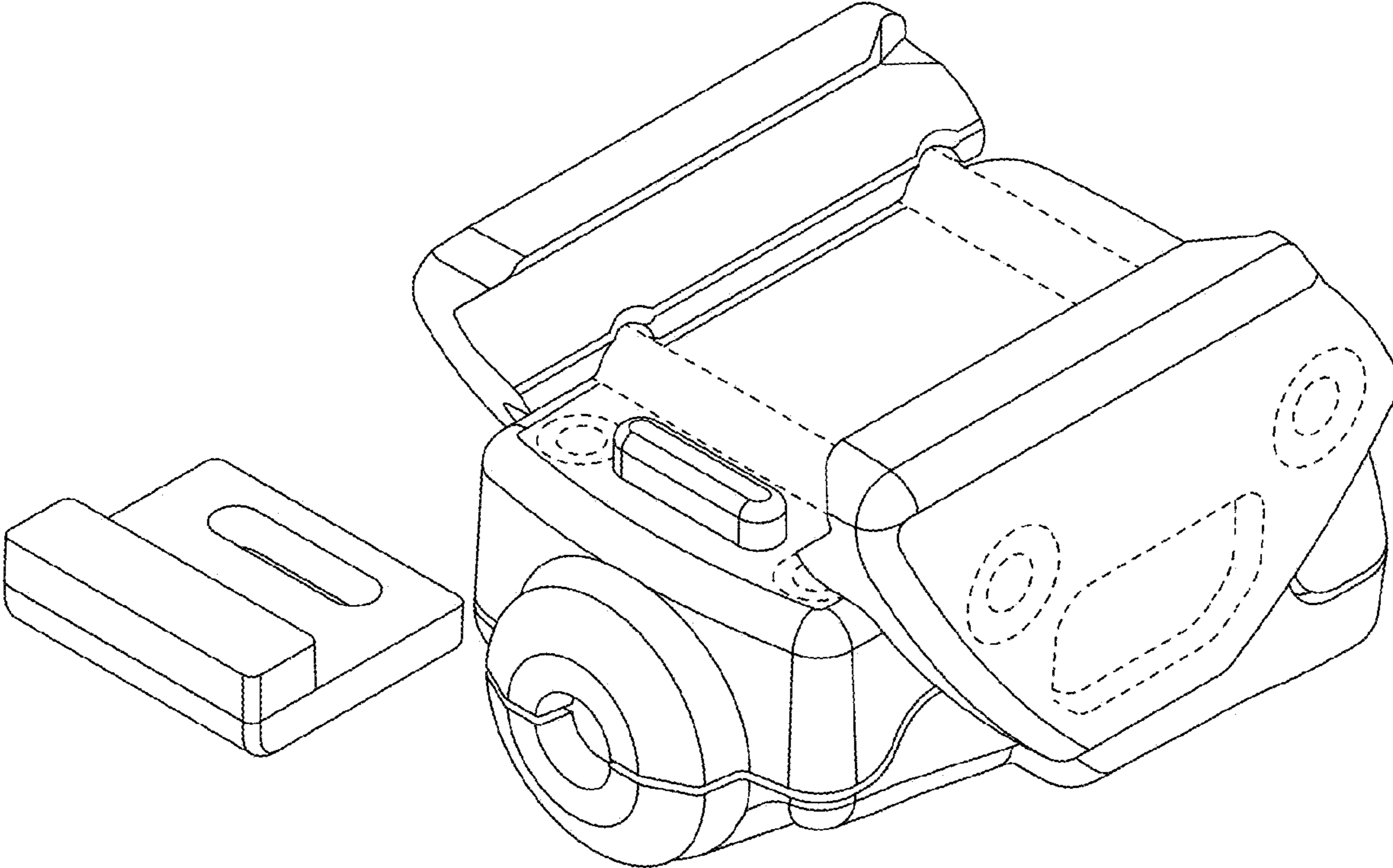


FIG. 4

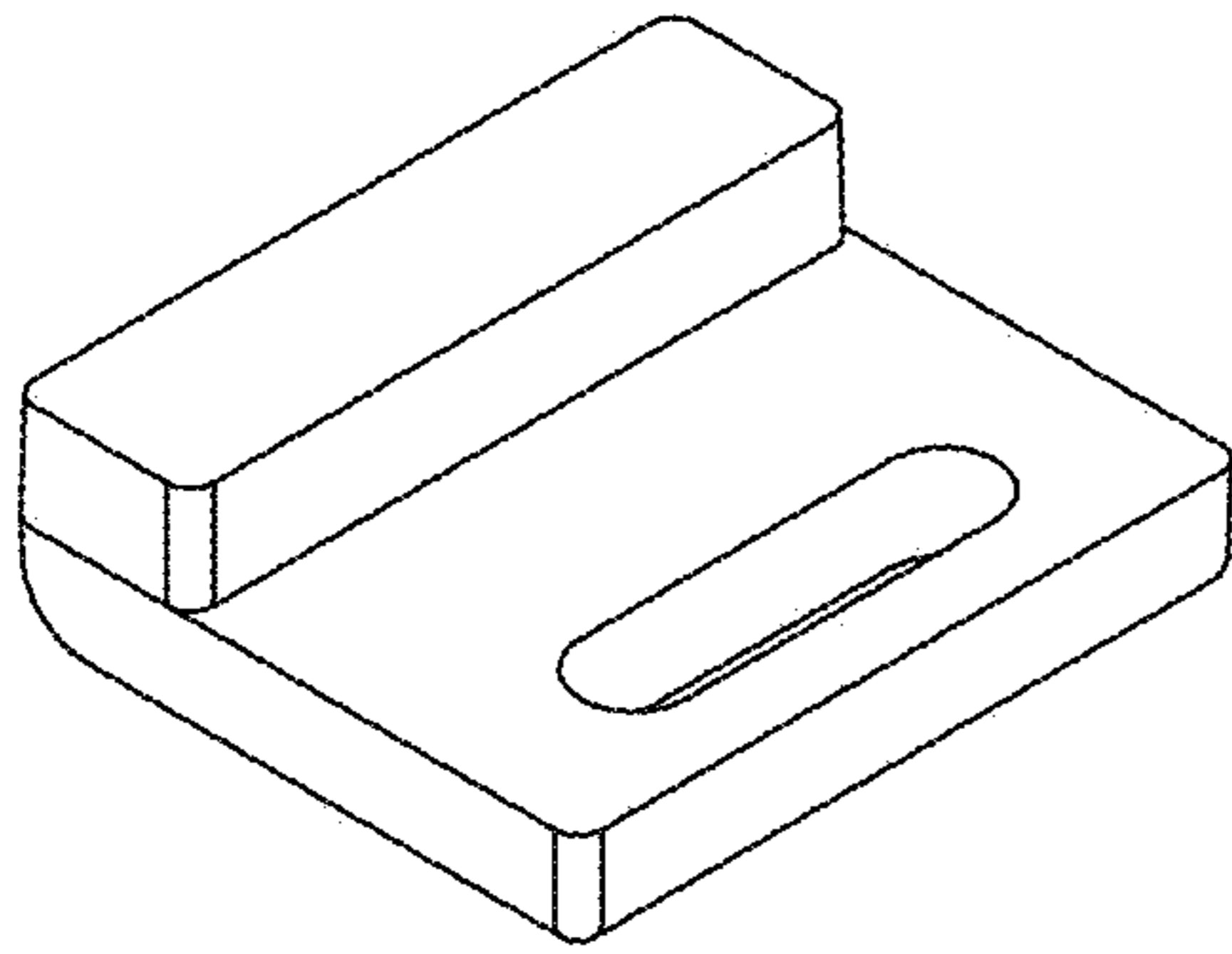


FIG. 5

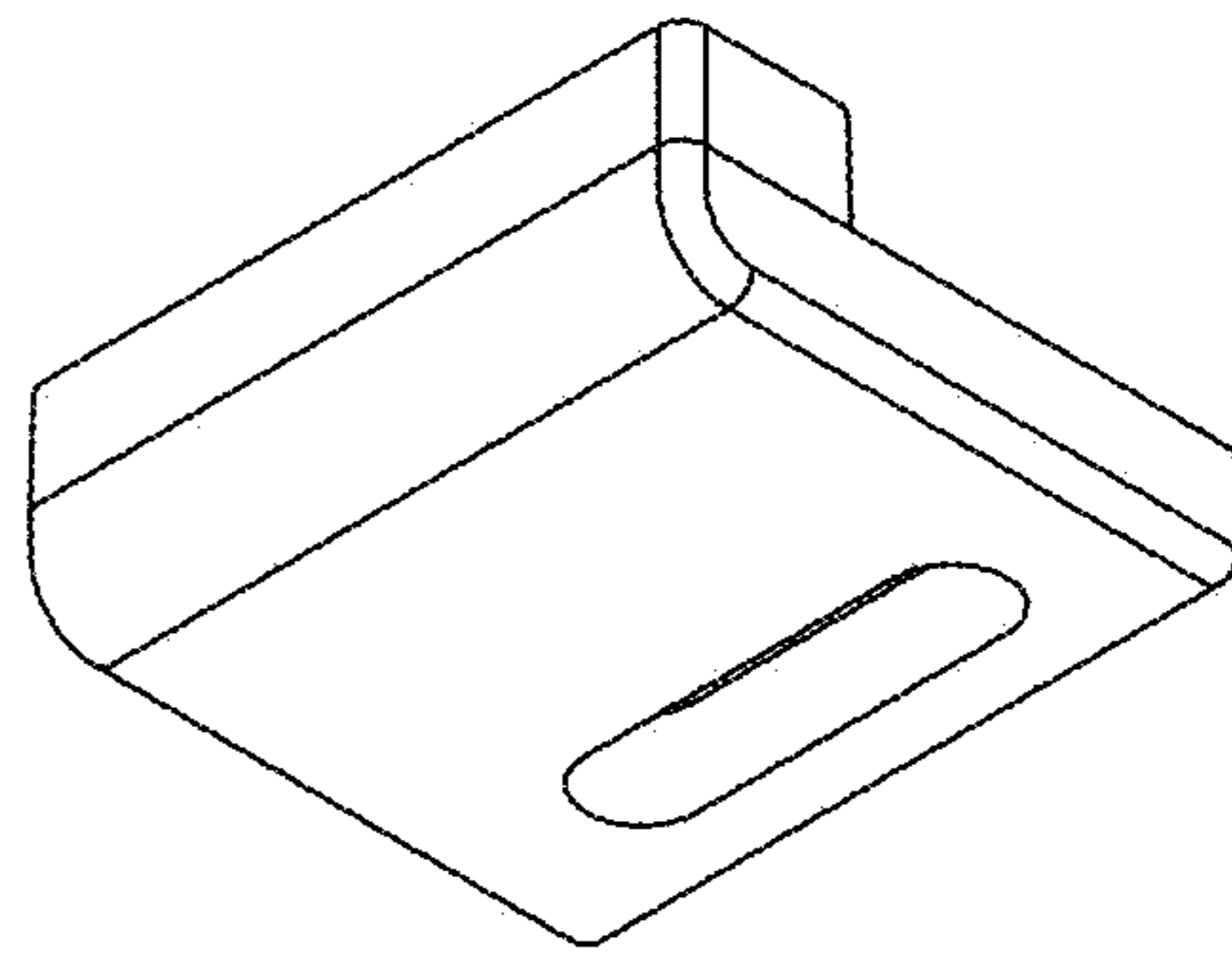


FIG. 6

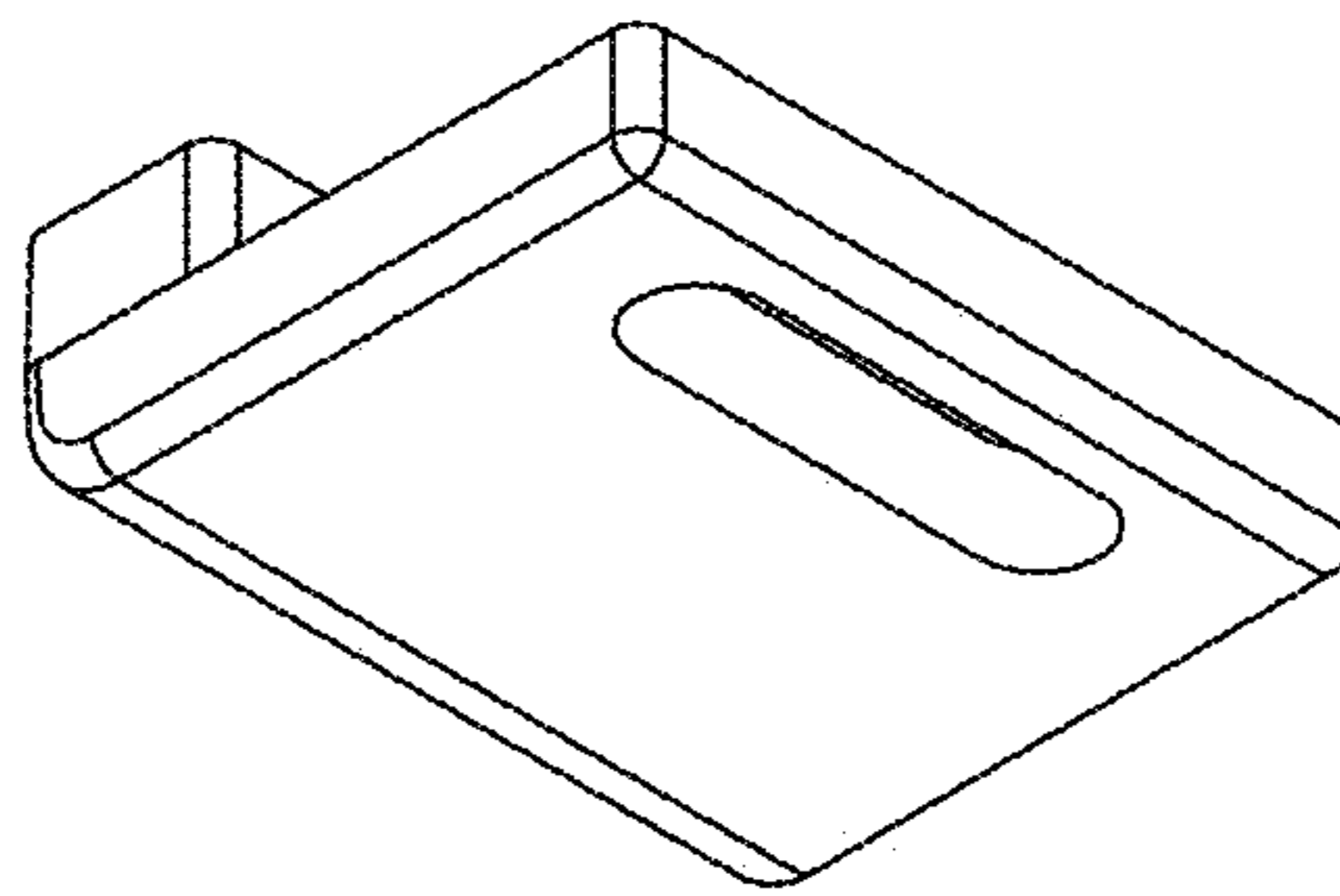


FIG. 7

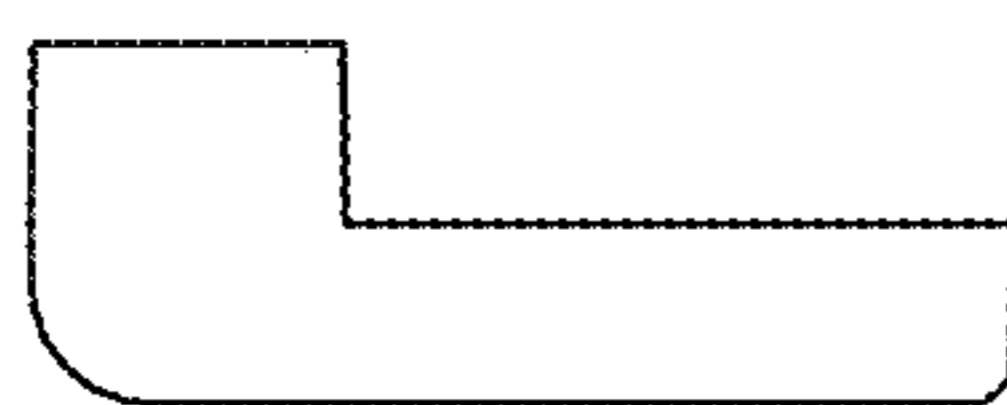


FIG. 8



FIG. 9



FIG. 10



FIG. 11

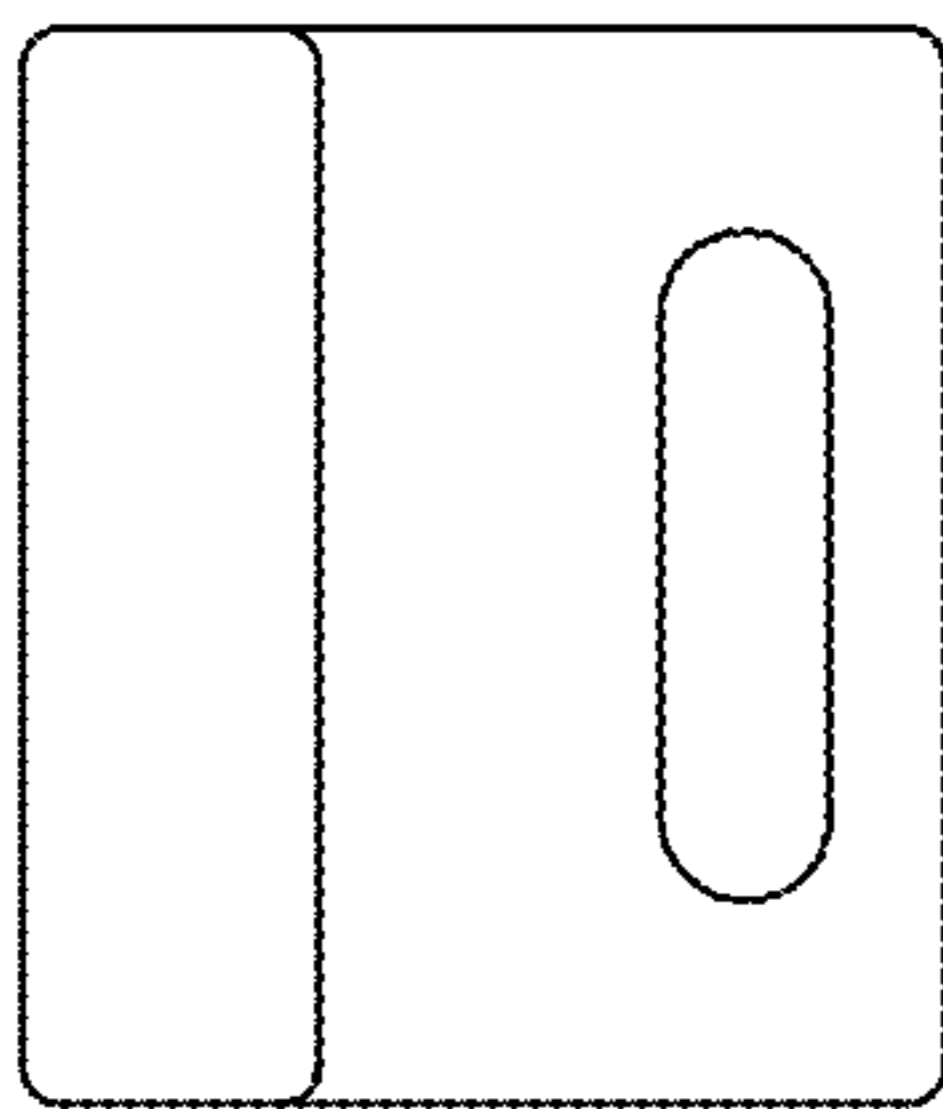


FIG. 12

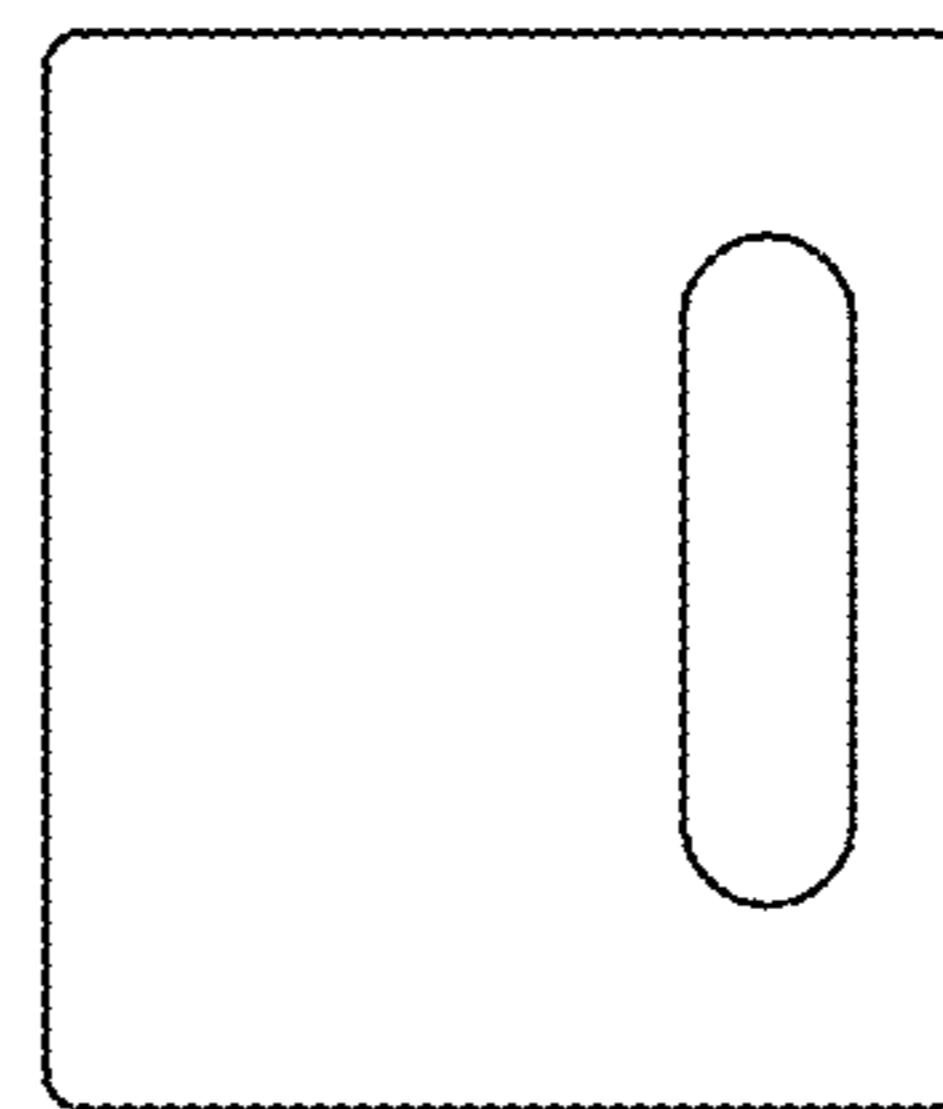


FIG. 13

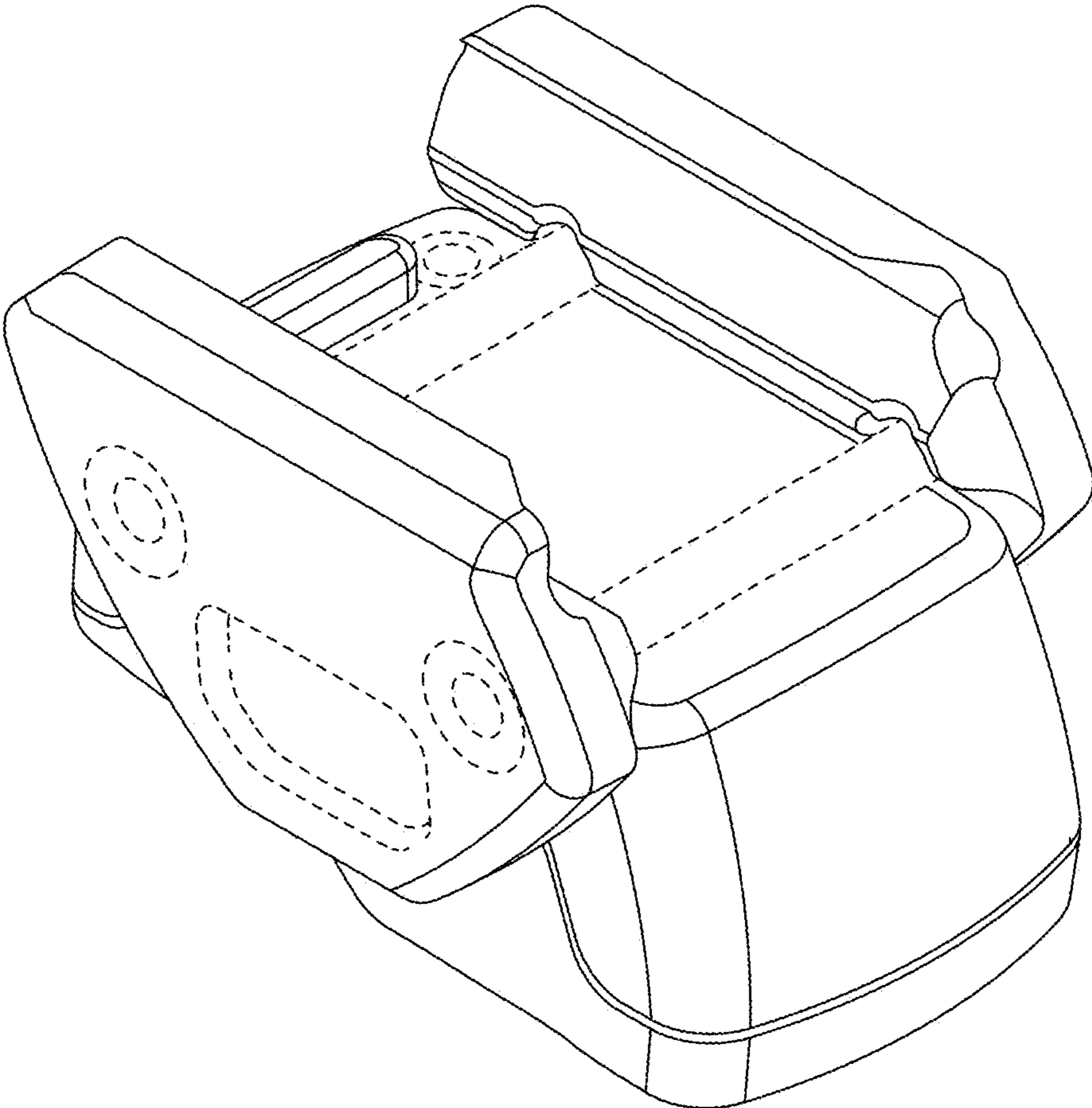


FIG.14

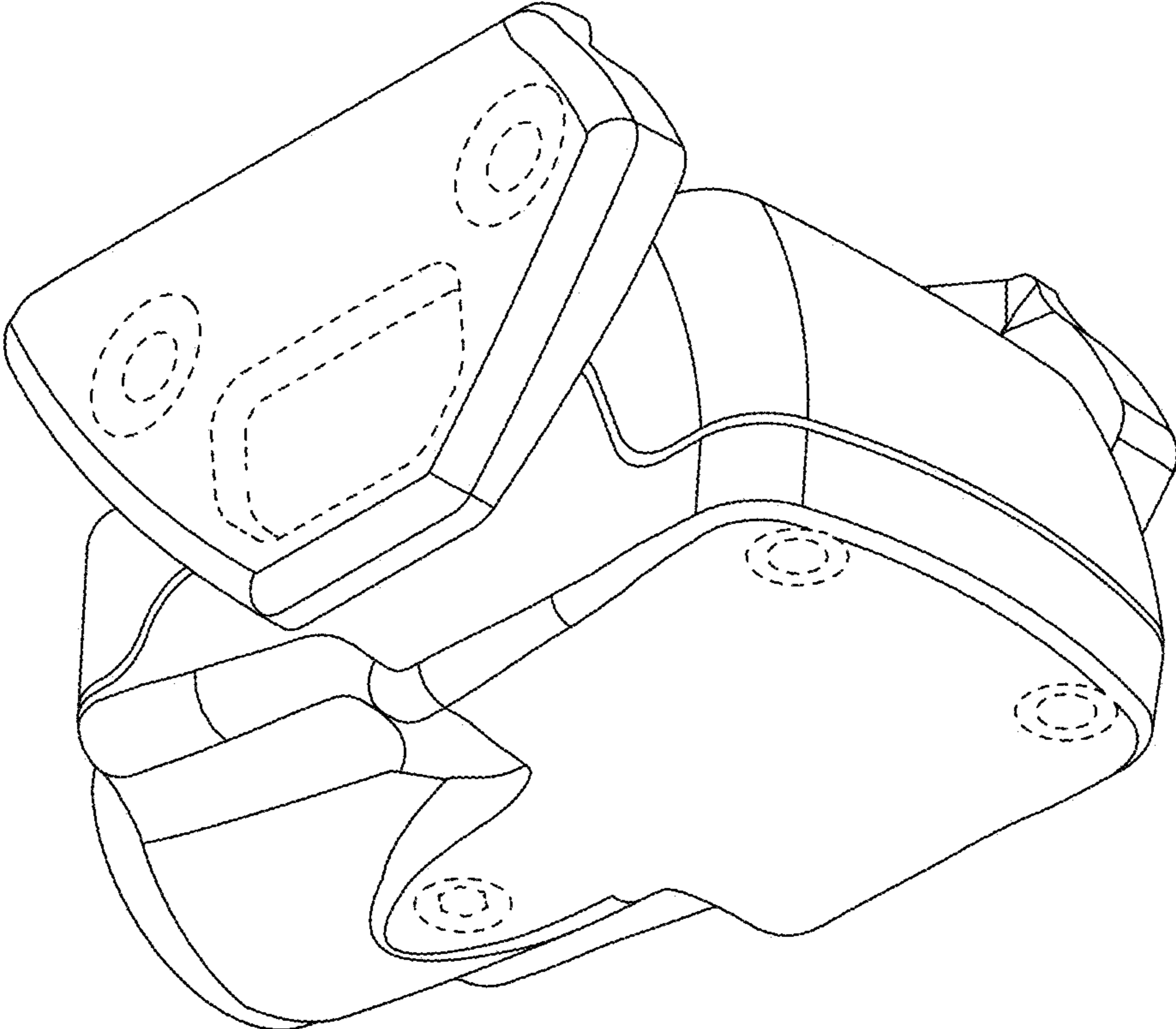


FIG.15

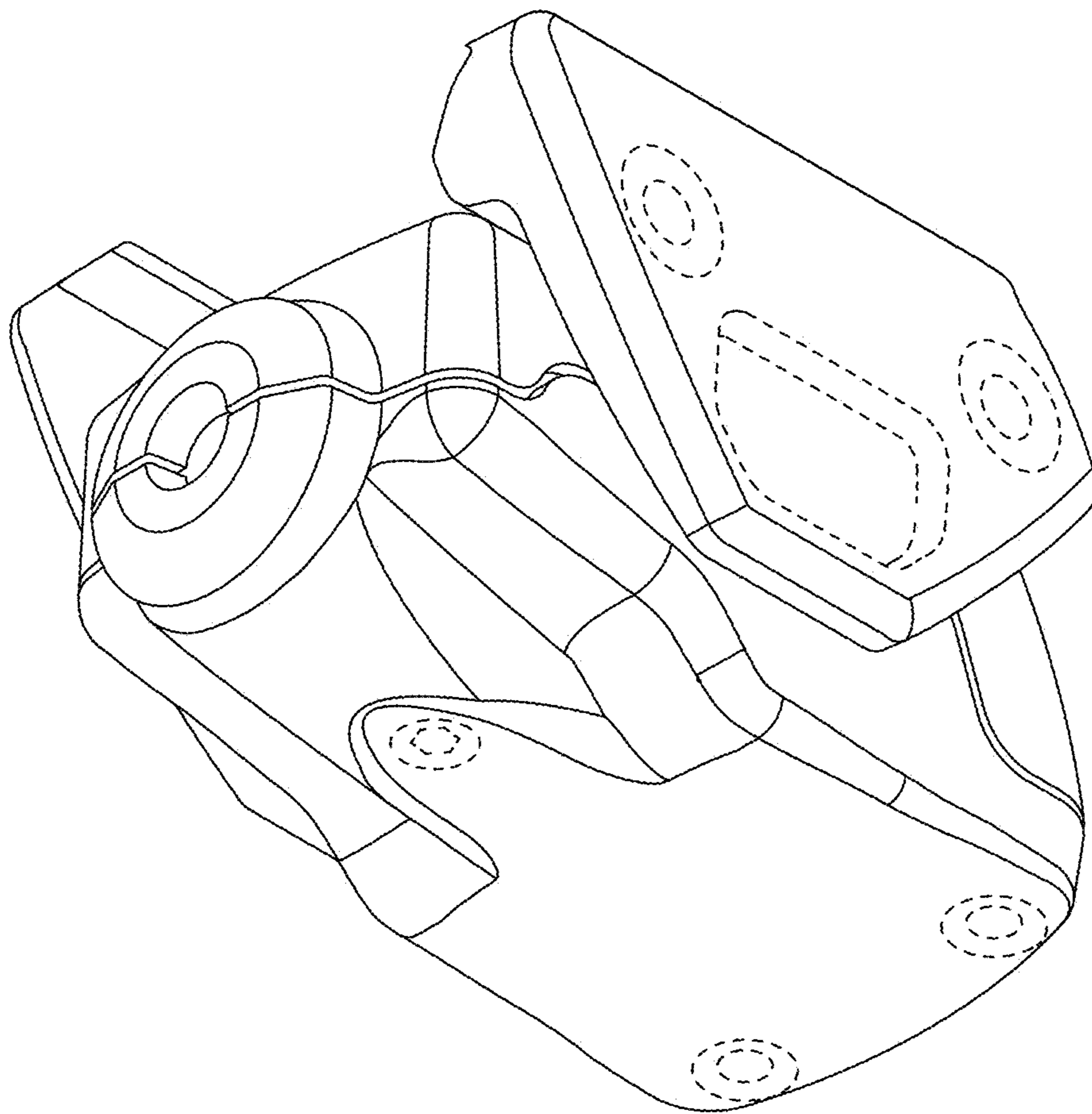


FIG.16

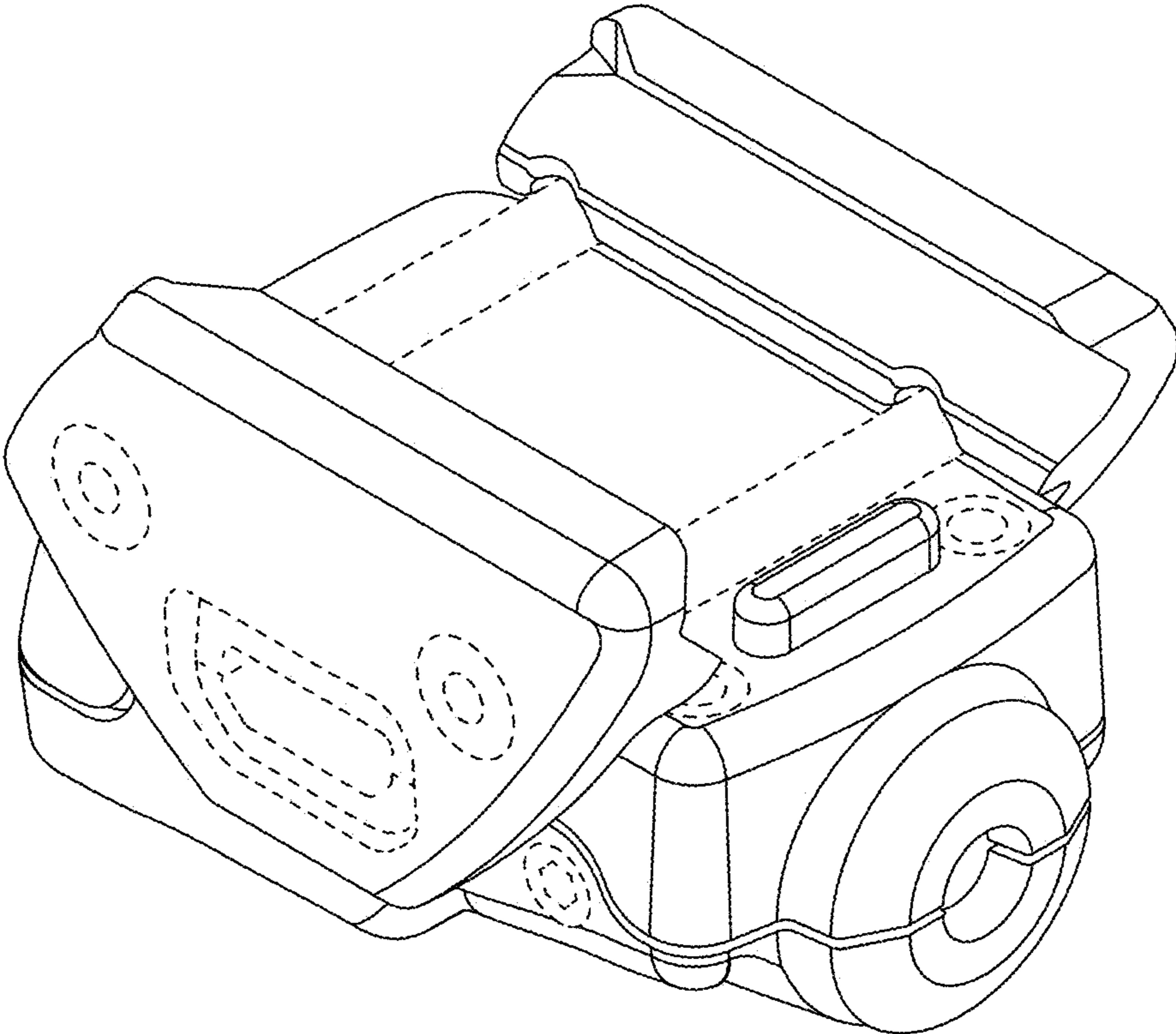


FIG.17

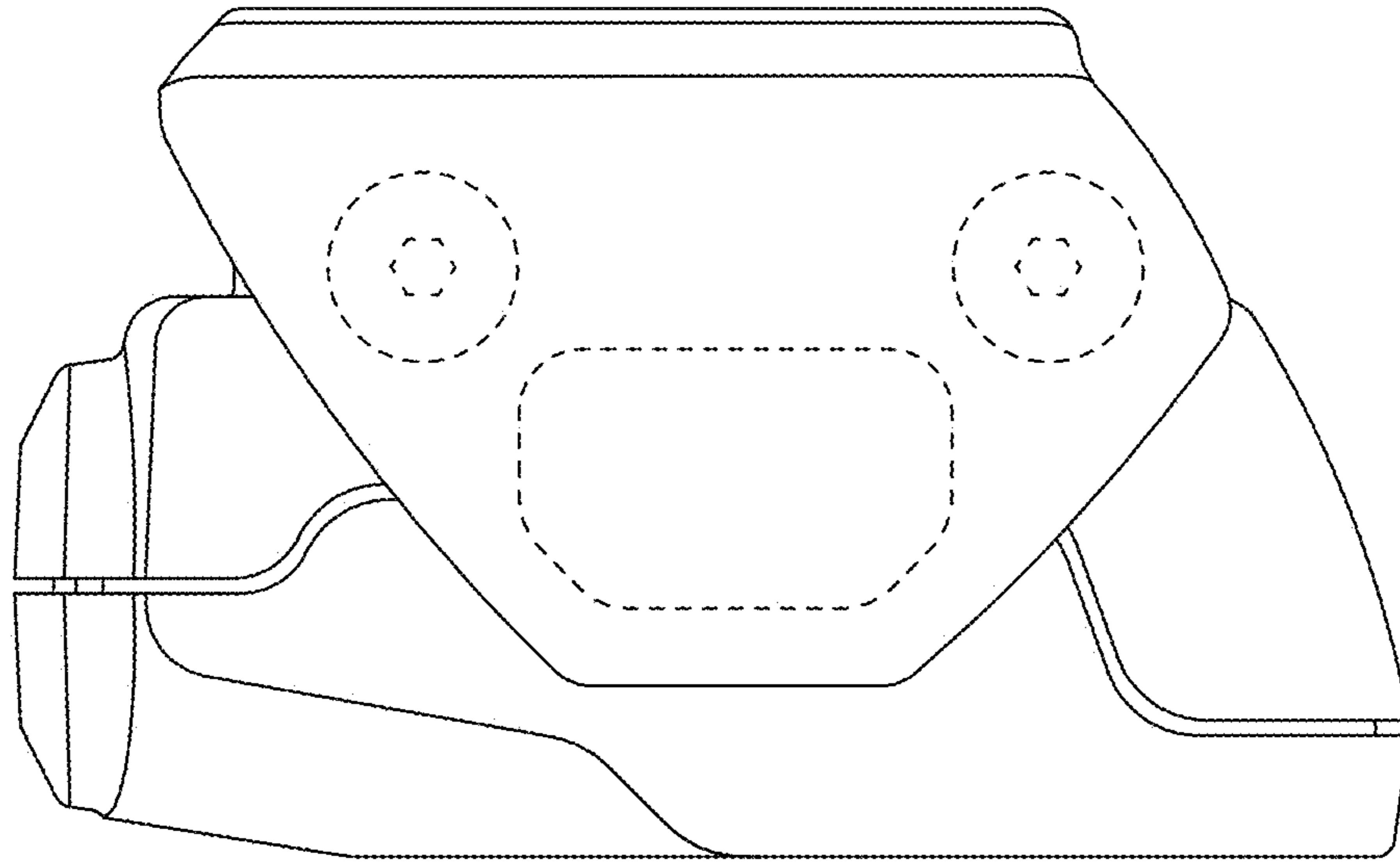


FIG. 18

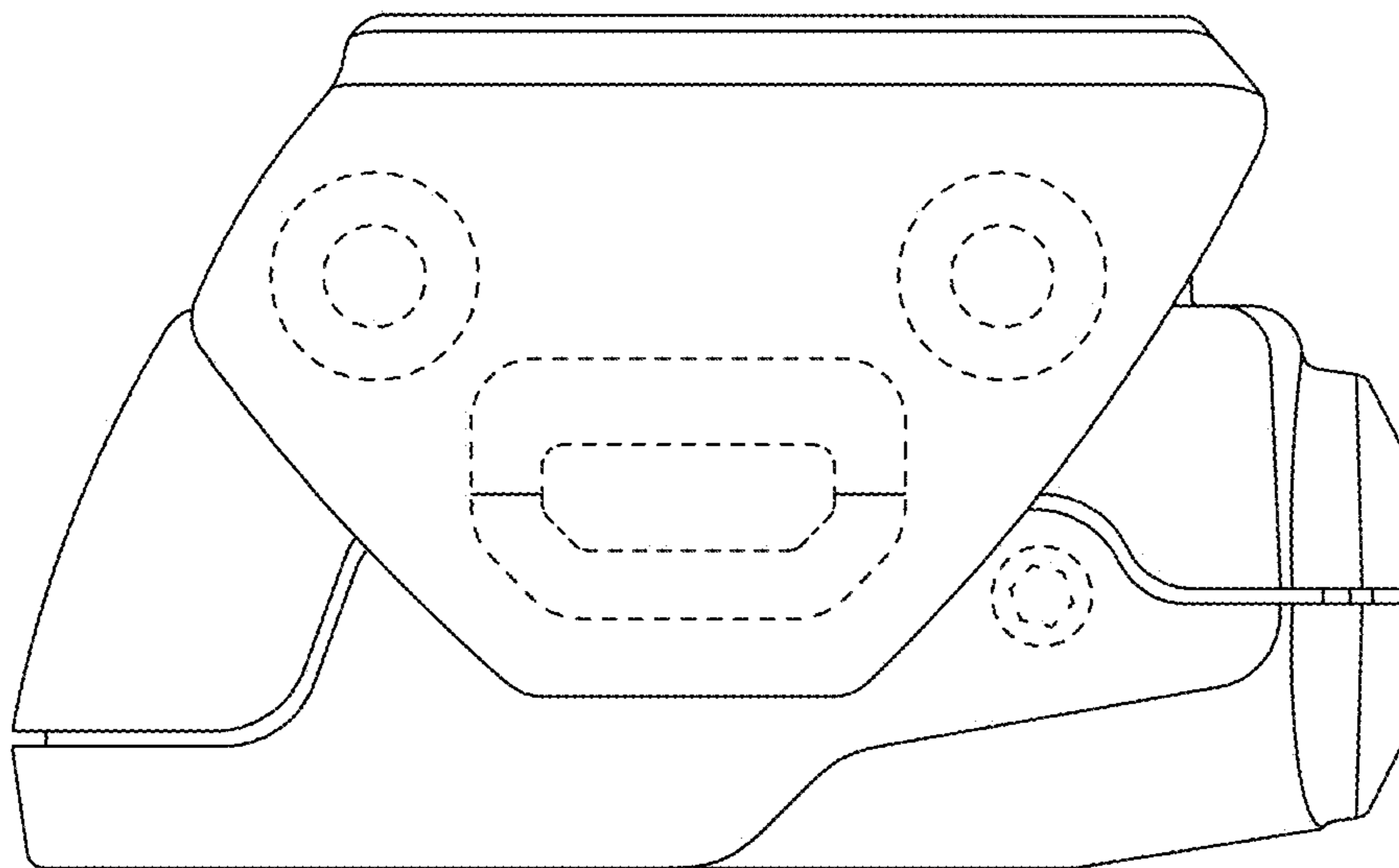


FIG. 19

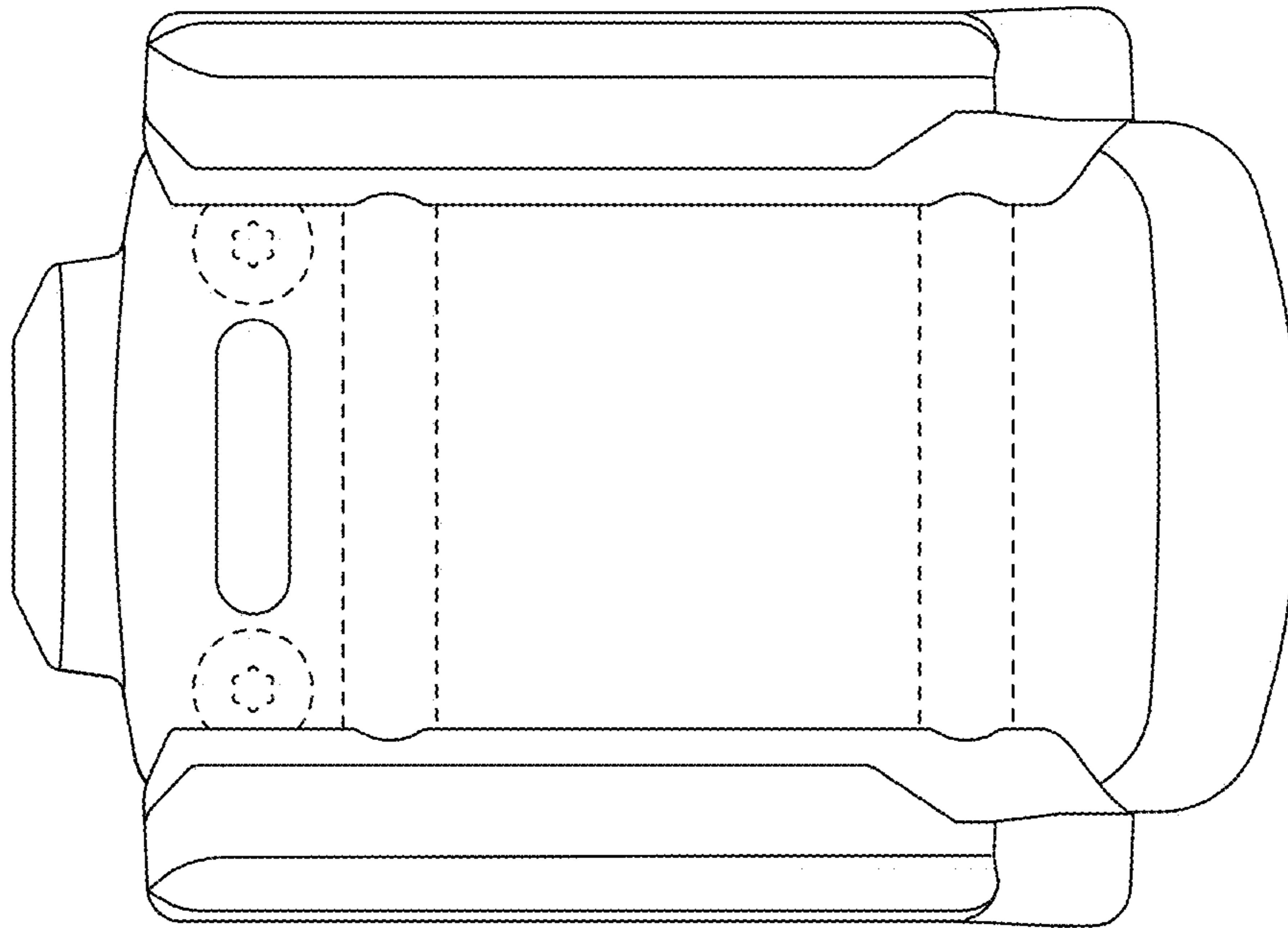


FIG. 20

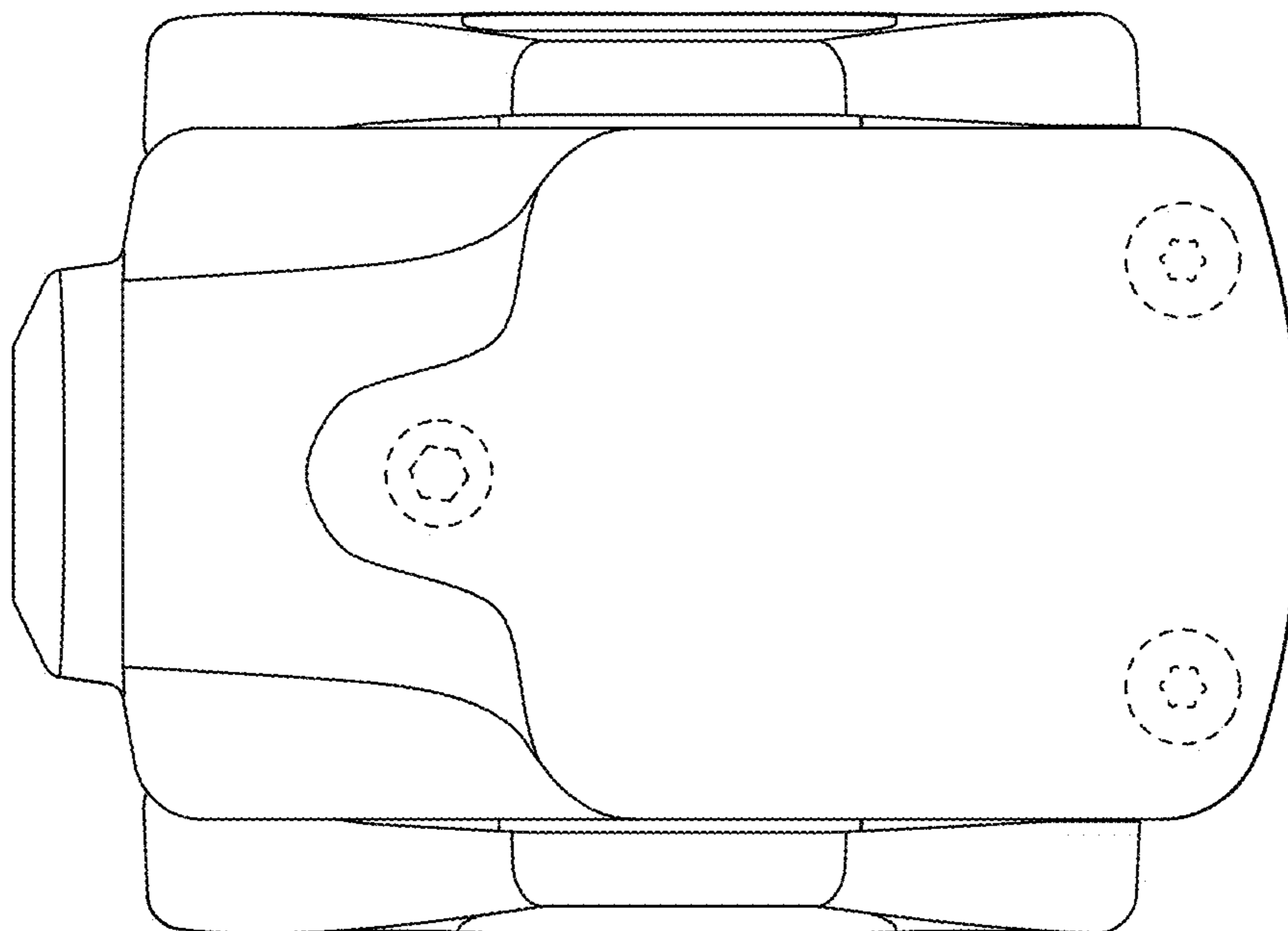


FIG. 21

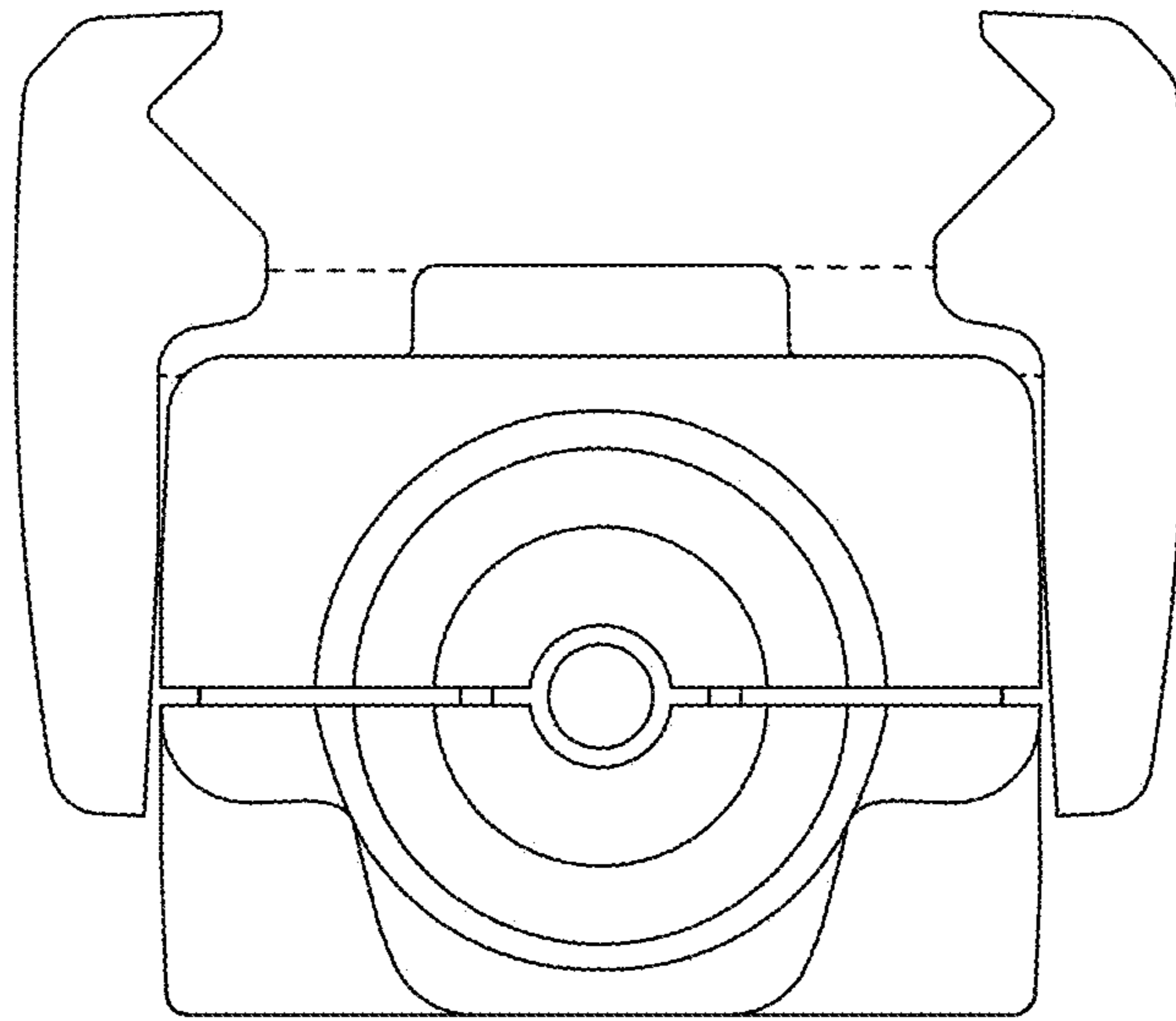


FIG. 22

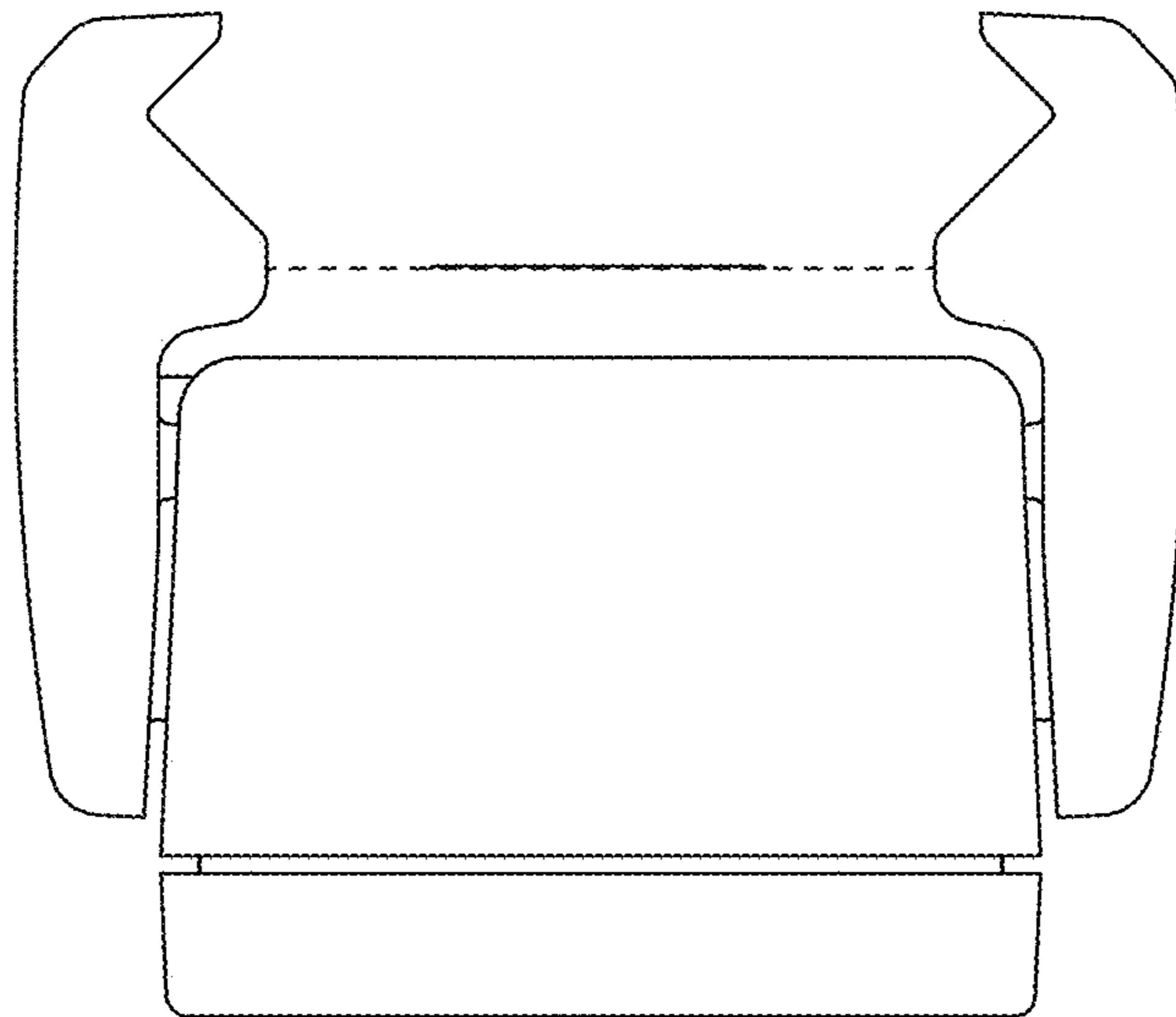


FIG. 23