



US00D879906S

(12) **United States Design Patent** (10) **Patent No.:** **US D879,906 S**
Griffin (45) **Date of Patent:** **** Mar. 31, 2020**

(54) **WEAPON SCOPE ATTACHMENT DEVICE**

(71) Applicant: **First Texas Products, LLC**, El Paso, TX (US)

(72) Inventor: **John Griffin**, El Paso, TX (US)

(**) Term: **15 Years**

(21) Appl. No.: **29/643,749**

(22) Filed: **Apr. 11, 2018**

(51) **LOC (12) Cl.** **22-01**

(52) **U.S. Cl.**
USPC **D22/109**

(58) **Field of Classification Search**
USPC D22/100, 101, 102, 103, 104, 105, 106, D22/107, 108, 109, 110, 111, 115, 116, D22/199; D21/300, 301, 302, 306, 334, D21/335, 443, 571, 573-575, 746
CPC F41C 23/14; F41C 23/20; F41C 23/04; F41C 23/00; F41C 23/10; F41C 27/00; F41C 7/00; F41C 23/06; F41C 3/00; F41B 5/10; F41B 5/14; F41B 5/0094; F41B 5/1469; F41B 5/00
See application file for complete search history.

(56) **References Cited**

U.S. PATENT DOCUMENTS

| | | | | |
|----------------|---------|-----------|-------|-----------|
| D439,259 S * | 3/2001 | Yamaguchi | | D16/132 |
| D529,063 S * | 9/2006 | Cheng | | D16/203 |
| D678,562 S * | 3/2013 | Chan | | D26/28 |
| D730,477 S * | 5/2015 | Huynh | | D22/109 |
| D747,431 S * | 1/2016 | Cheng | | D22/109 |
| 9,410,769 B1 * | 8/2016 | Zhang | | F41G 3/06 |
| RE46,226 E * | 12/2016 | Gambino | | D22/109 |
| D778,390 S * | 2/2017 | Zhang | | D22/109 |
| D781,990 S * | 3/2017 | Cheng | | D22/109 |
| D783,116 S * | 4/2017 | Cheng | | D22/109 |
| D795,989 S * | 8/2017 | Horton | | D22/109 |
| D803,347 S * | 11/2017 | Cheng | | D22/109 |

| | | | | |
|-------------------|---------|-------------|-------|----------------------|
| D814,600 S * | 4/2018 | Cheng | | D22/109 |
| D816,795 S * | 5/2018 | Vogl | | D22/109 |
| D827,083 S * | 8/2018 | Zhang | | D22/109 |
| D841,112 S * | 2/2019 | Shi | | D22/109 |
| 2005/0241209 A1 * | 11/2005 | Staley, III | | F41G 1/48 42/111 |
| 2013/0188053 A1 * | 7/2013 | Slevin | | H04N 7/18 348/158 |

(Continued)

OTHER PUBLICATIONS

“TA435: Thermal Imaging Attachment” [online]. guideir.com [Retrieved on Mar. 28, 2019]. Retrieved from the Internet: <<http://www.guideir.com/product/detail/id/37.html>>.*

(Continued)

Primary Examiner — Khawaja Anwar
Assistant Examiner — Mojtaba Tehrani
(74) *Attorney, Agent, or Firm* — Boudwin Intellectual Property

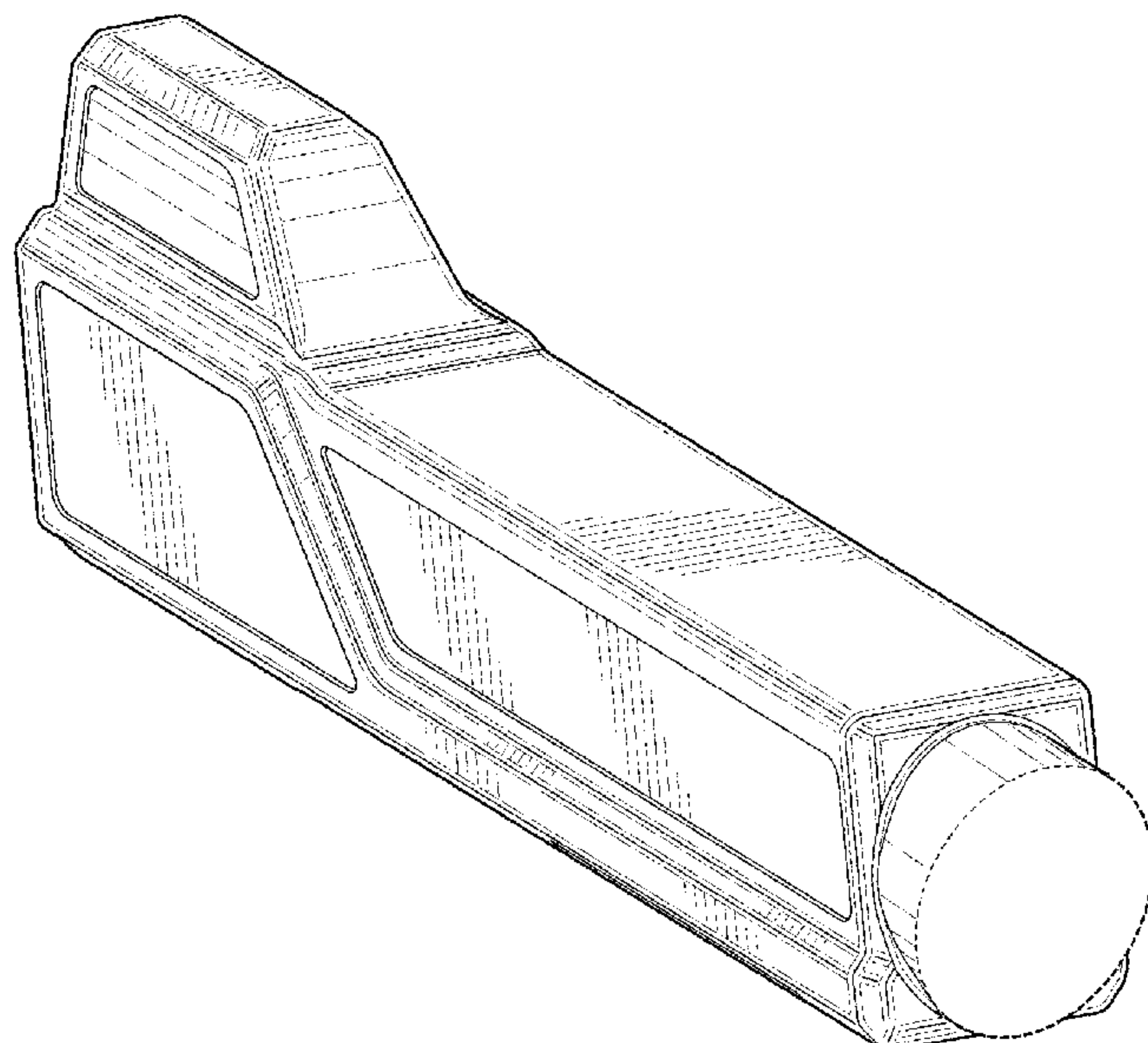
(57) **CLAIM**

The ornamental design for a weapon scope attachment device, as shown and described.

DESCRIPTION

FIG. 1 is a perspective view of a weapon scope attachment device, showing my new design;
FIG. 2 is a right elevation view thereof;
FIG. 3 is a left elevation view thereof;
FIG. 4 is a top plan view thereof;
FIG. 5 is a bottom plan view thereof;
FIG. 6 is a front-end elevation view thereof; and,
FIG. 7 is a rear end elevation view thereof.
The shade lines in the Figures show contour and not surface ornamentation.
The broken lines in the drawings depict unclaimed portions of the device only and form no part of the claimed design.

1 Claim, 4 Drawing Sheets



(56)

References Cited

U.S. PATENT DOCUMENTS

2014/0305022 A1 * 10/2014 Chung F41G 1/16
42/113

OTHER PUBLICATIONS

“TS Series: Thermal Rifle Scope” [online]. guideir.com [Retrieved on Mar. 28, 2019]. Retrieved from the Internet: <<http://www.guideir.com/product/detail/id/21.html>>.*

* cited by examiner

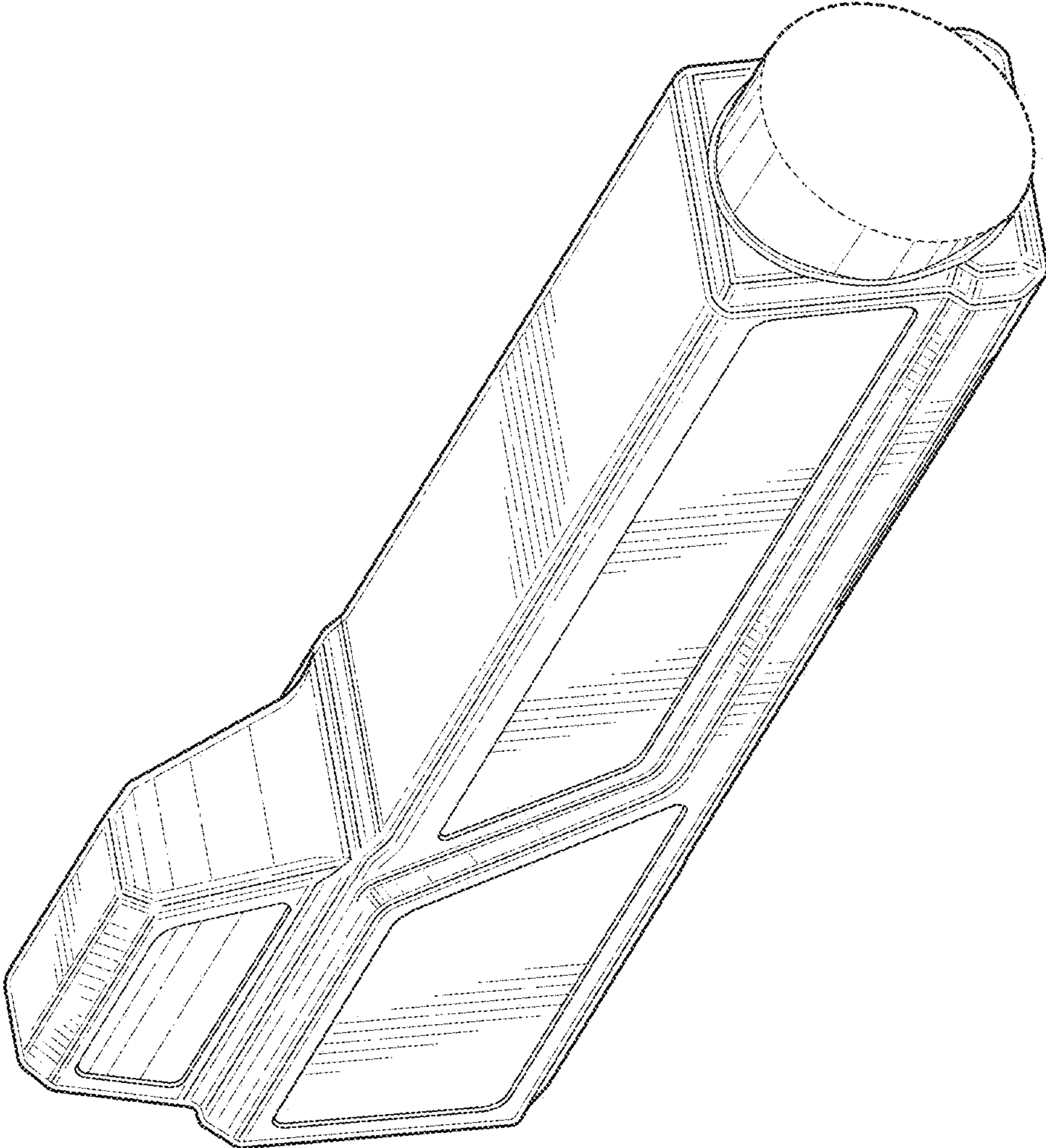


FIG. 1

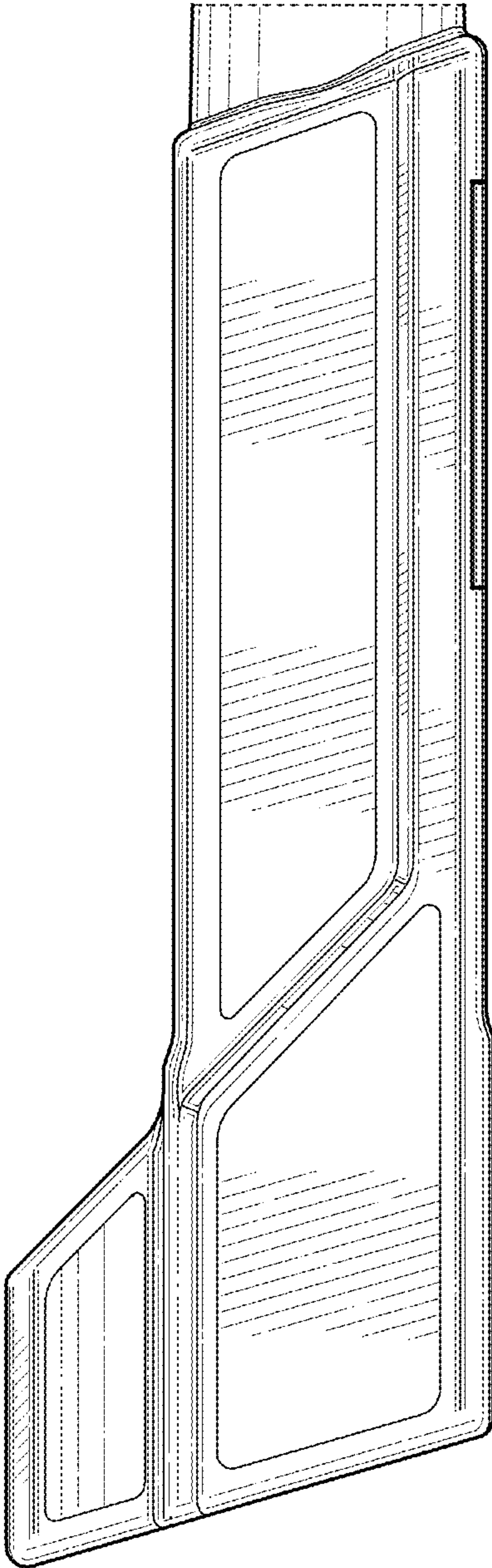


FIG. 2

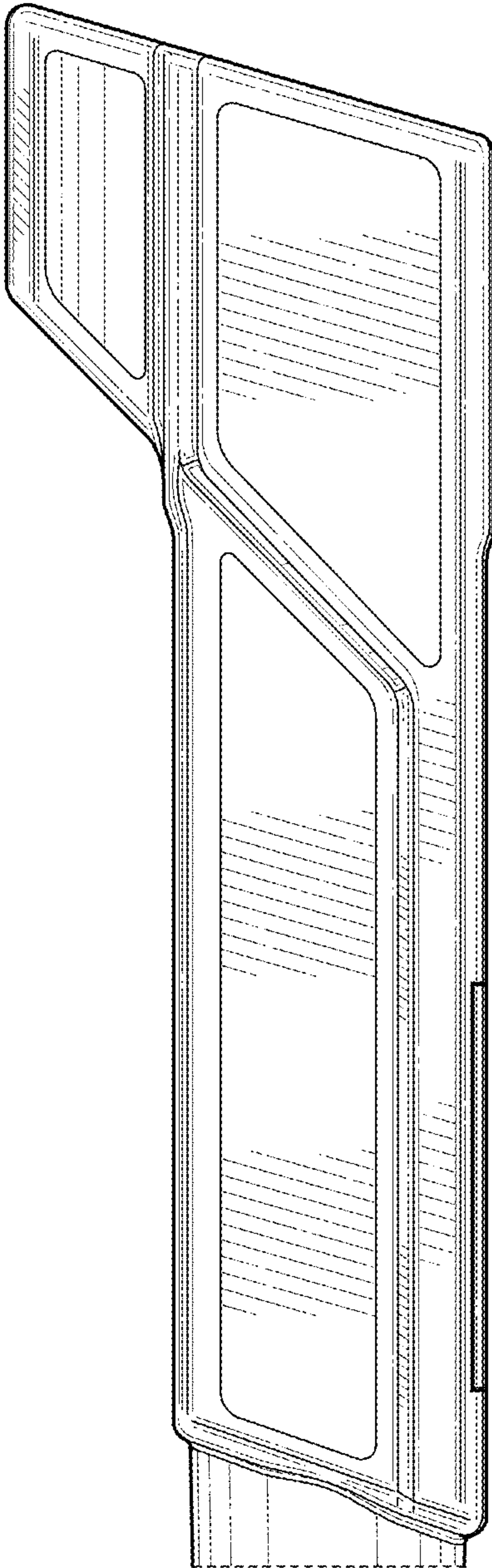


FIG. 3

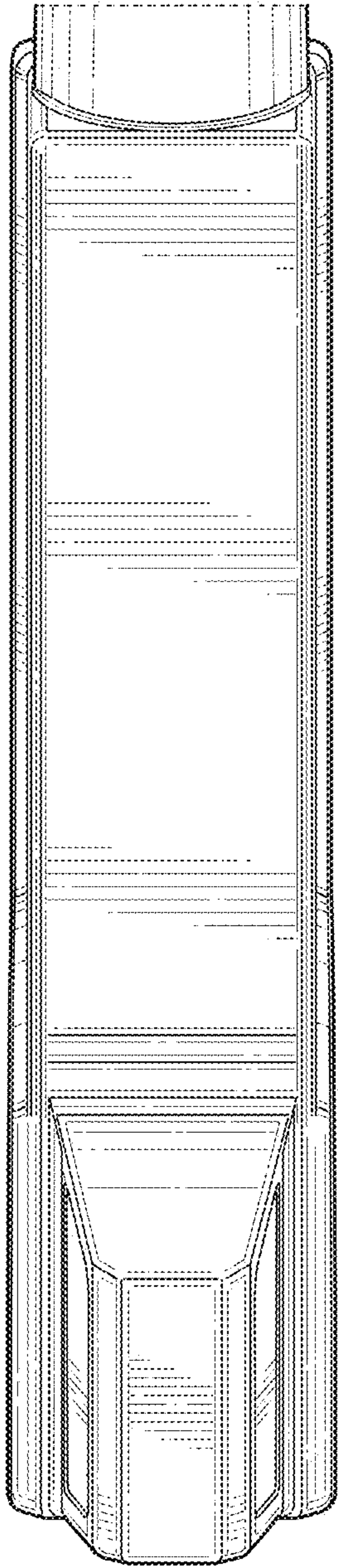


FIG. 4

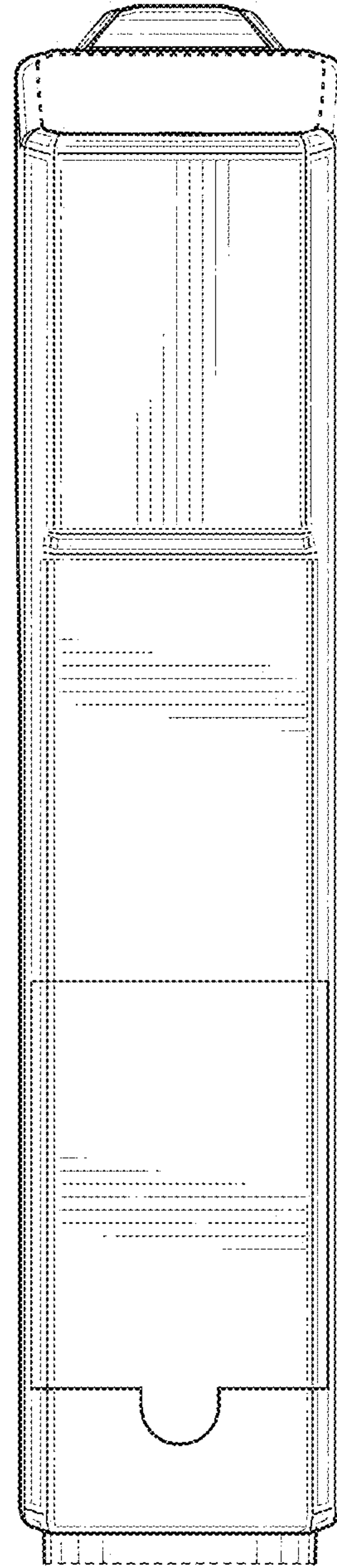


FIG. 5

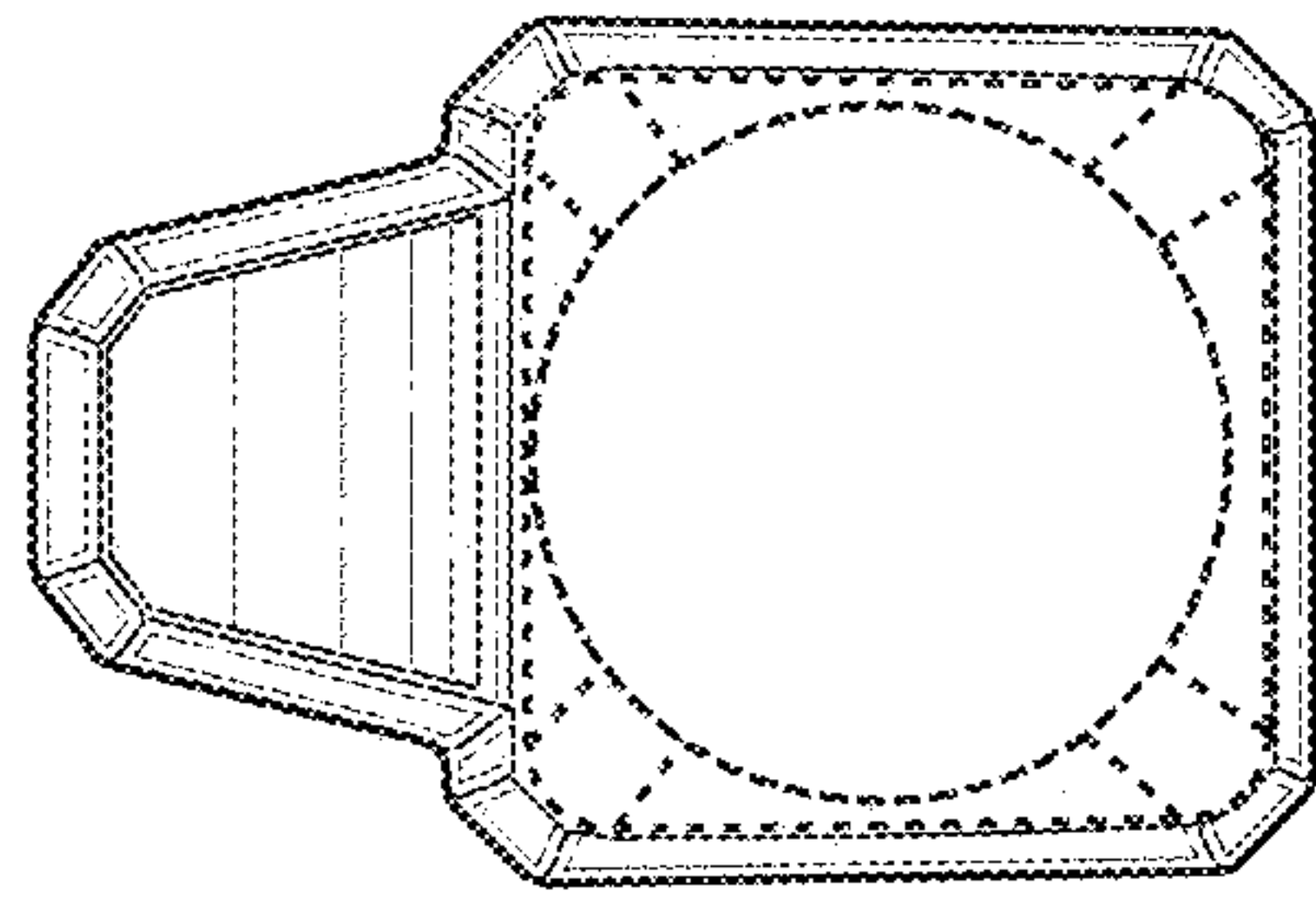


FIG. 6

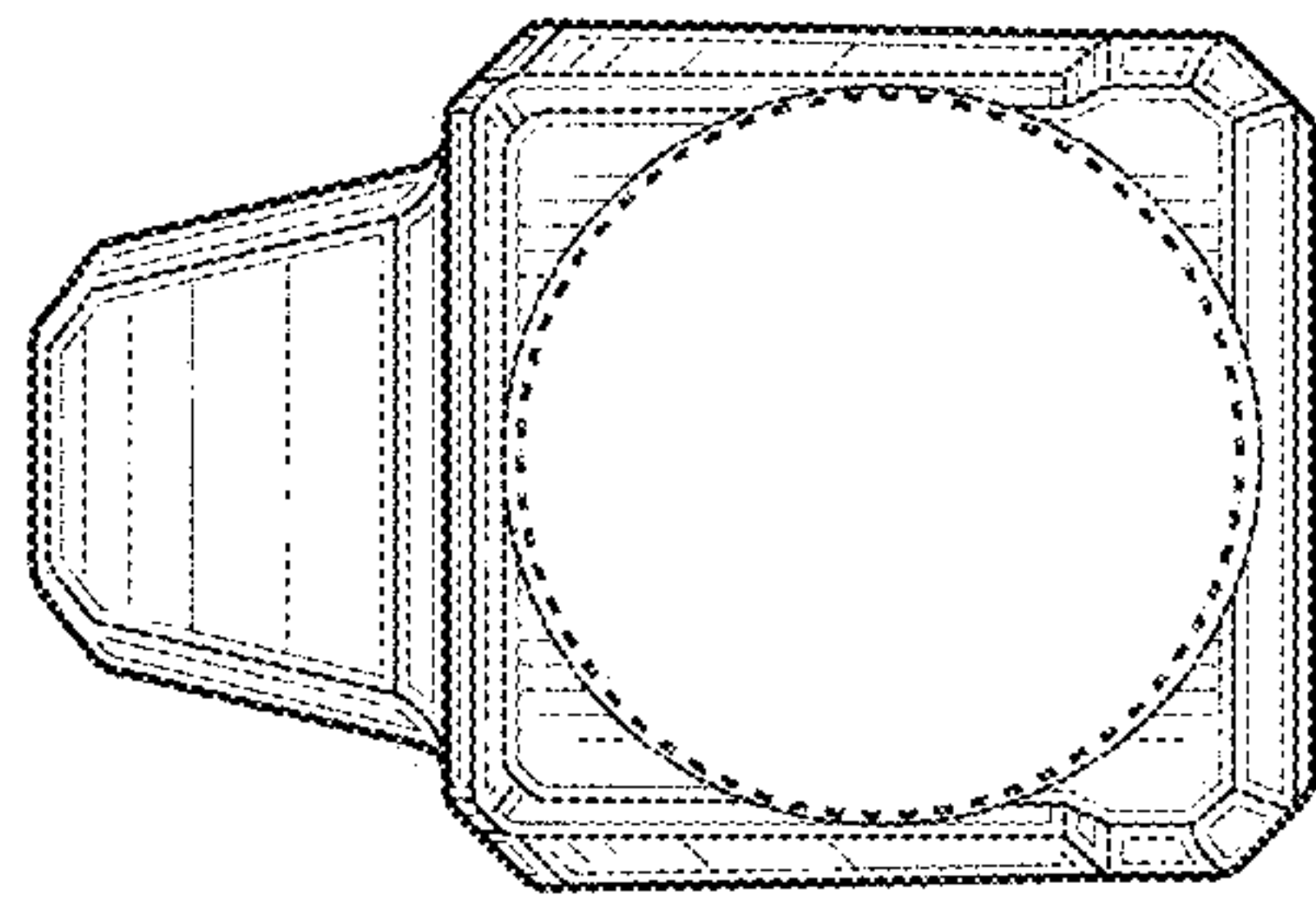


FIG. 7