



US00D879905S

(12) **United States Design Patent** (10) **Patent No.:** **US D879,905 S**
Schafer (45) **Date of Patent:** **** Mar. 31, 2020**

(54) **FIREARM BOLT HANDLE** 2,848,831 A 8/1958 McLaughlin
3,005,279 A * 10/1961 Brewer F41A 13/00
42/18
(71) Applicant: **Q, LLC**, Portsmouth, NH (US) 3,130,513 A 4/1964 Knode
3,274,724 A 9/1966 Brandt
(72) Inventor: **Nicholas Schafer**, Portsmouth, NH (US) 3,330,061 A 7/1967 Koon
3,456,375 A 7/1969 Kulikowski
3,584,533 A 6/1971 Allyn
(73) Assignee: **Q, LLC**, Portsmouth, NH (US) (Continued)

(**) Term: **15 Years**

(21) Appl. No.: **29/709,327**

(22) Filed: **Oct. 14, 2019**

Related U.S. Application Data

(62) Division of application No. 29/617,010, filed on Sep. 11, 2017, now Pat. No. Des. 868,196.

(51) **LOC (12) Cl.** **22-01**

(52) **U.S. Cl.**
USPC **D22/108**

(58) **Field of Classification Search**

USPC D22/100, 101, 102, 103, 104, 105, 106,
D22/107, 108, 109, 110, 111, 199;
D21/571, 573, 574, 575, 746

CPC F41C 23/14; F41C 23/20; F41C 23/04;
F41C 23/00; F41C 23/10; F41C 27/00;
F41C 7/00; F41C 23/06; F41C 3/00;
F41B 5/10; F41B 5/14; F41B 5/0094;
F41B 5/1469; F41B 5/00

See application file for complete search history.

(56) **References Cited**

U.S. PATENT DOCUMENTS

1,209,872 A 12/1916 Nelson
1,349,675 A 8/1920 Johnson
1,707,538 A 4/1929 Page
2,072,197 A 3/1937 Theodor
2,085,812 A 7/1937 Loomis
2,338,682 A 1/1944 Bohan

OTHER PUBLICATIONS

“The Fix Rifle by Q—Stripping the Bolt” [online], Kit Badger, [Published on Apr. 13, 2018], Retrieved from the Internet: <https://www.youtube.com/watch?v=_t0pSc_Ksdl>.

(Continued)

Primary Examiner — Khawaja Anwar

Assistant Examiner — Mojtaba Tehrani

(74) *Attorney, Agent, or Firm* — Fox Rothschild LLP

(57) **CLAIM**

The ornamental design for a firearm bolt handle, as shown and described.

DESCRIPTION

FIG. 1 is an isometric view of a firearm bolt handle according to the present disclosure;

FIG. 2 is a front view of the firearm bolt handle of FIG. 1;

FIG. 3 is a rear view of the firearm bolt handle of FIG. 1;

FIG. 4 is a right side view of the firearm bolt handle of FIG. 1;

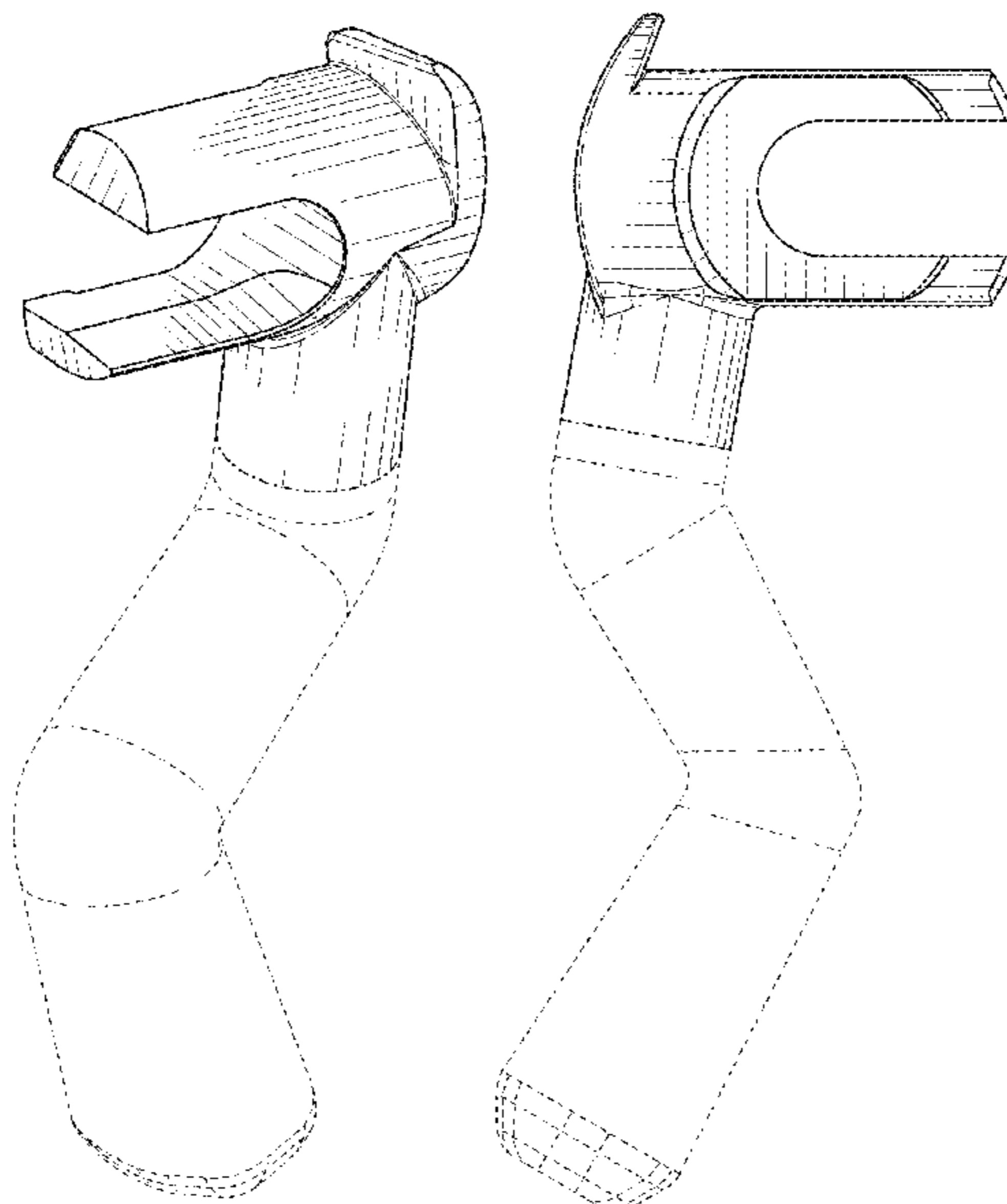
FIG. 5 is a left side view of the firearm bolt handle of FIG. 1;

FIG. 6 is a top view of the firearm bolt handle of FIG. 1; and,

FIG. 7 is a bottom view of the firearm bolt handle of FIG. 1.

The broken lines in the Figures illustrate portions of the article that form no part of the claimed design.

1 Claim, 3 Drawing Sheets



(56)

References Cited

U.S. PATENT DOCUMENTS

3,668,800 A 6/1972 Sefried, II
 3,673,725 A 7/1972 Cravener
 3,711,983 A 1/1973 Allyn
 3,791,060 A 2/1974 Weaver
 3,979,849 A 9/1976 Haskins
 4,015,357 A * 4/1977 Andersson F41A 3/18
 42/16
 4,020,577 A 5/1977 Duffy
 4,454,672 A 6/1984 Timari
 4,698,931 A 10/1987 Larsson
 4,920,677 A 5/1990 Schuerman
 5,440,963 A 8/1995 Szecsei
 5,718,073 A 2/1998 Sachse et al.
 5,915,934 A * 6/1999 Knight F41A 3/18
 42/51
 5,960,574 A 10/1999 Lameiras Guede
 6,209,249 B1 4/2001 Borden
 6,401,378 B1 6/2002 Ockenfuss
 6,508,025 B1 1/2003 Du Plessis
 7,000,345 B1 2/2006 Kay
 8,302,340 B1 * 11/2012 Irwin F41A 3/22
 42/16
 8,381,629 B2 2/2013 Szecsei
 8,397,415 B2 3/2013 Laney et al.
 8,533,986 B2 9/2013 Klotz
 D712,002 S 8/2014 Bolton
 8,925,230 B2 1/2015 Warburton et al.
 9,151,553 B2 10/2015 Constant et al.
 9,163,888 B1 * 10/2015 DiOrio F41A 3/24

9,377,255 B2 6/2016 Karagias
 9,658,009 B1 5/2017 Vankeuren, III
 10,006,726 B1 6/2018 Oglesby
 10,077,957 B1 9/2018 Aguf
 D854,643 S * 7/2019 Schafer D22/108
 D868,196 S * 11/2019 Schafer D22/108
 10,514,219 B2 * 12/2019 Schafer F41A 3/18
 2010/0281733 A1 11/2010 Constant et al.
 2010/0307042 A1 * 12/2010 Jarboe F41A 3/18
 42/6
 2011/0061523 A1 3/2011 Webb
 2012/0073177 A1 3/2012 Laney et al.
 2014/0196347 A1 7/2014 Komatsu et al.
 2015/0233656 A1 8/2015 Karagias
 2016/0252314 A1 9/2016 Mather
 2018/0195818 A1 * 7/2018 Schafer F41A 3/72
 2018/0195823 A1 7/2018 Schafer et al.

OTHER PUBLICATIONS

“We Knew Q LLC Was Going to Make Next-Gen ARs and Silencers, But We Didn’t Expect The Fix” [online], Rob Curtis, [Published on Jan. 16, 2017], Retrieved from the Internet: <<https://www.recoilweb.com/we-knew-q-llc-was-joining-to-make-next-gen-ars-and-silencers-but-we-didnt-expect-the-fix-122186.html>>.
 “Bolt Guns—a Survey of Rem 700 Custom Actions” [online], Rob Curtis, [Published on Dec. 25, 2016], Retrieved from the Internet: <<https://www.recoilweb.com/rem-700-custom-actions-109106.html>>.

* cited by examiner

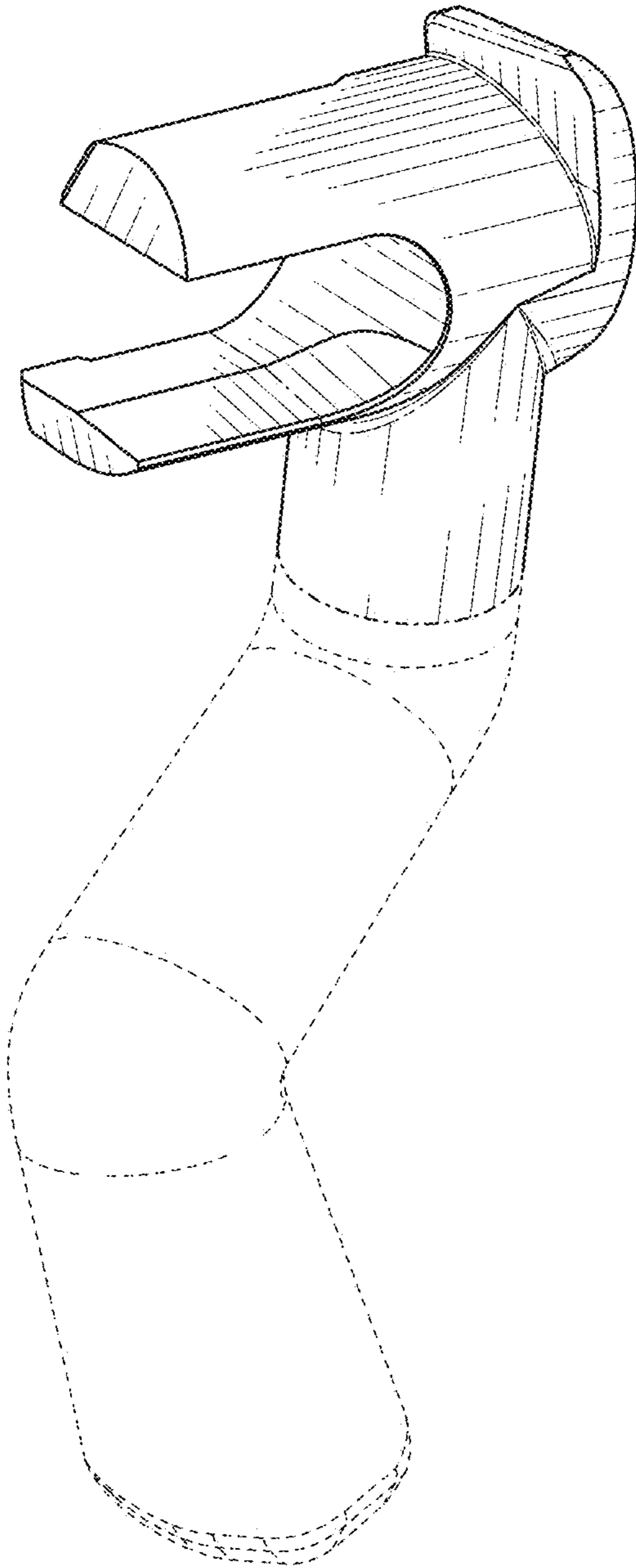


FIG. 1

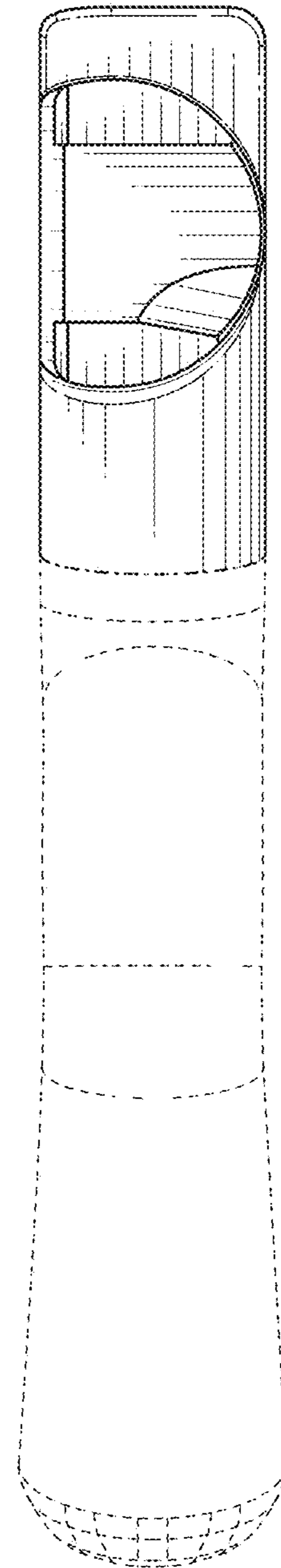


FIG. 2

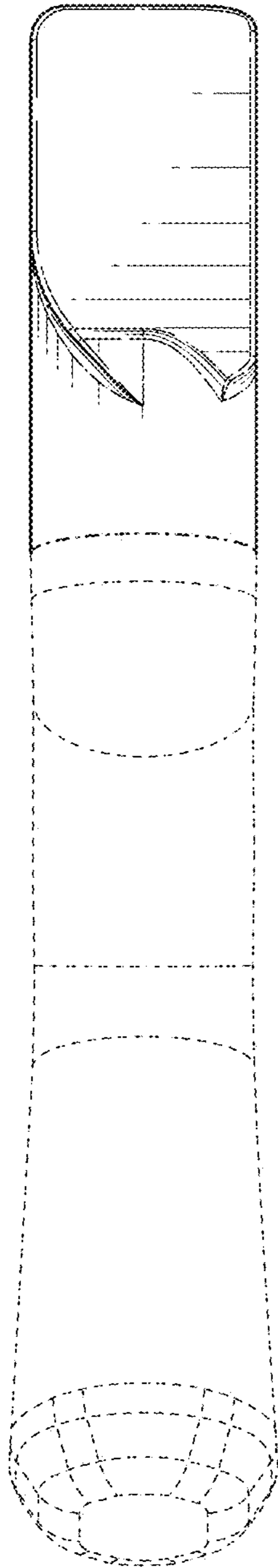


FIG. 3

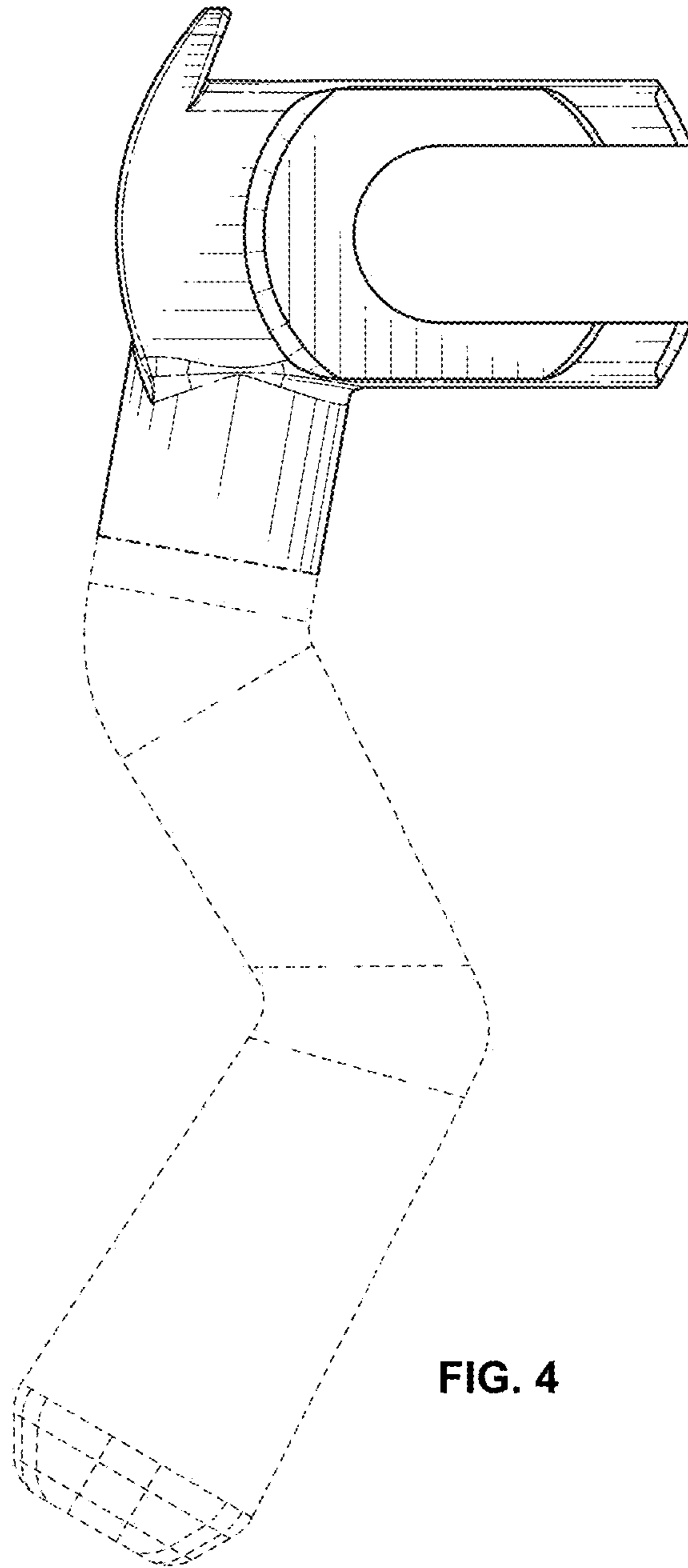


FIG. 4

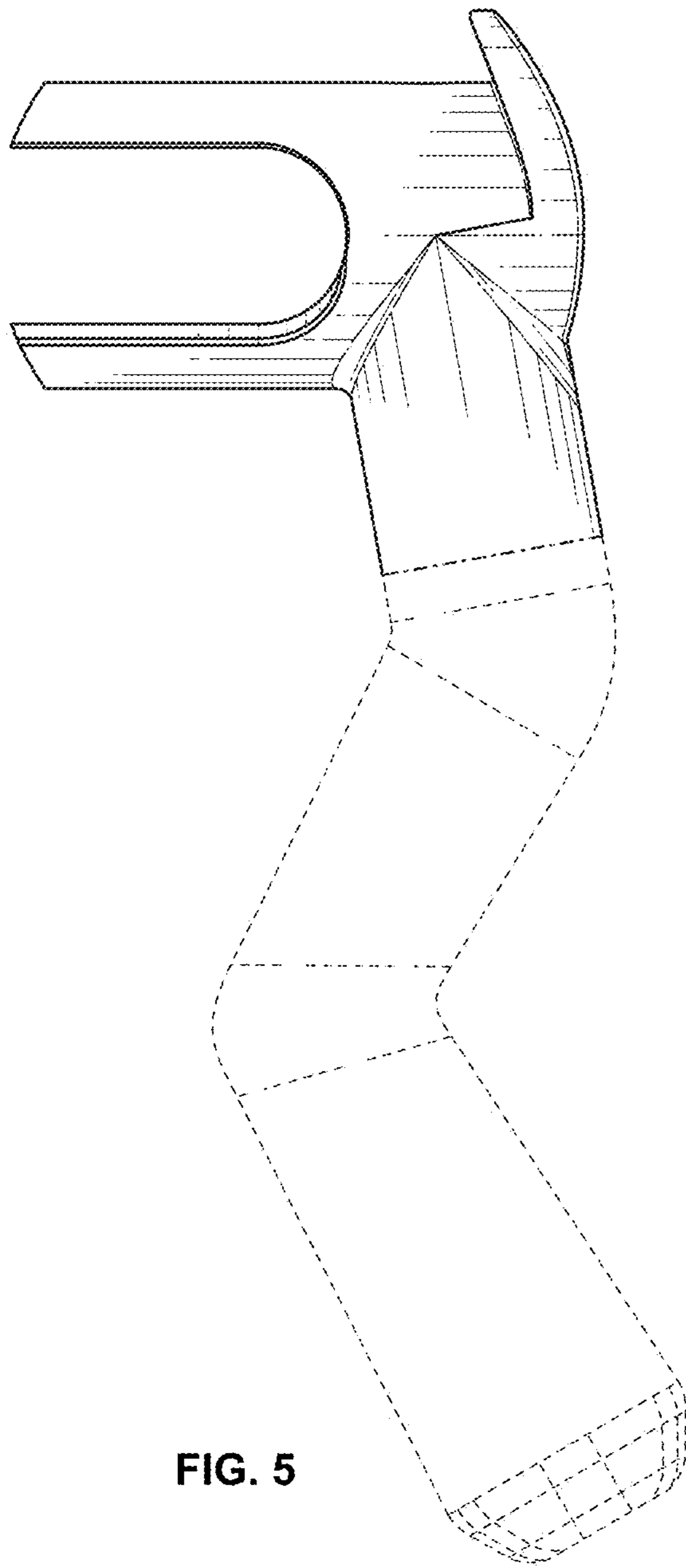


FIG. 5

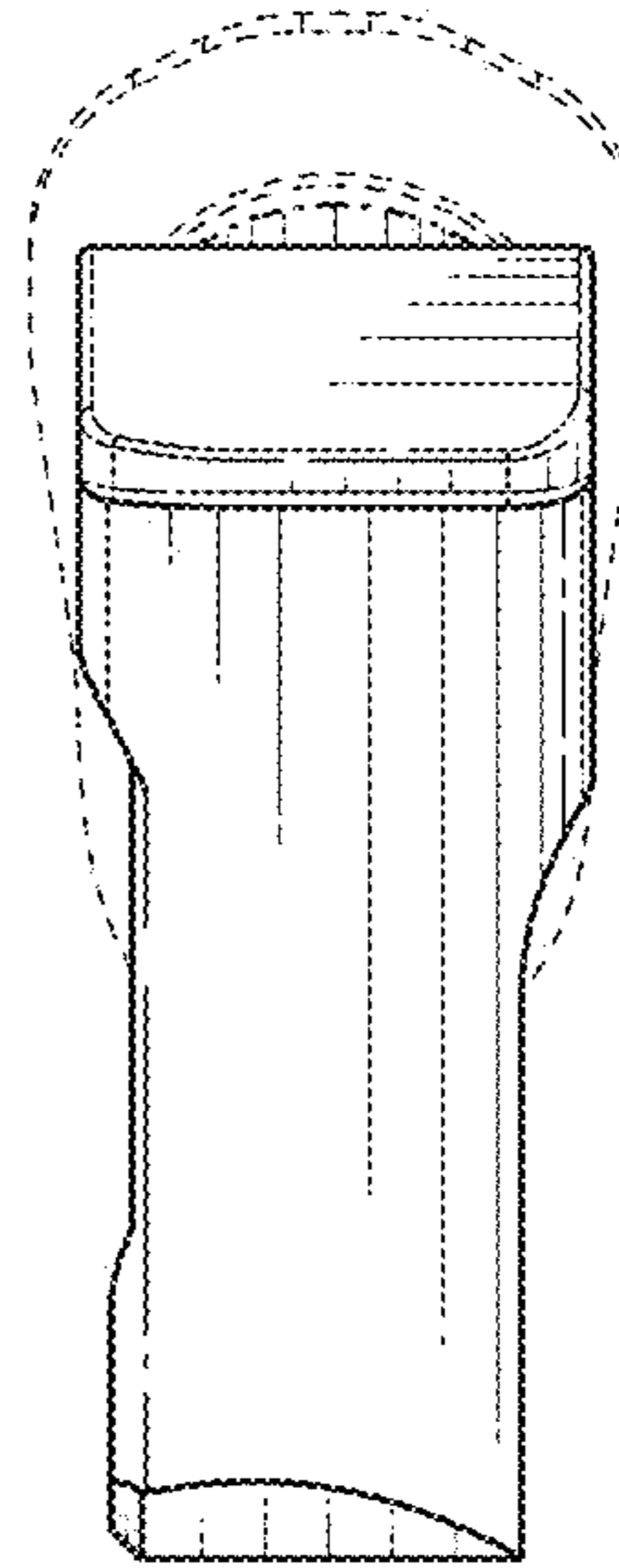


FIG. 6

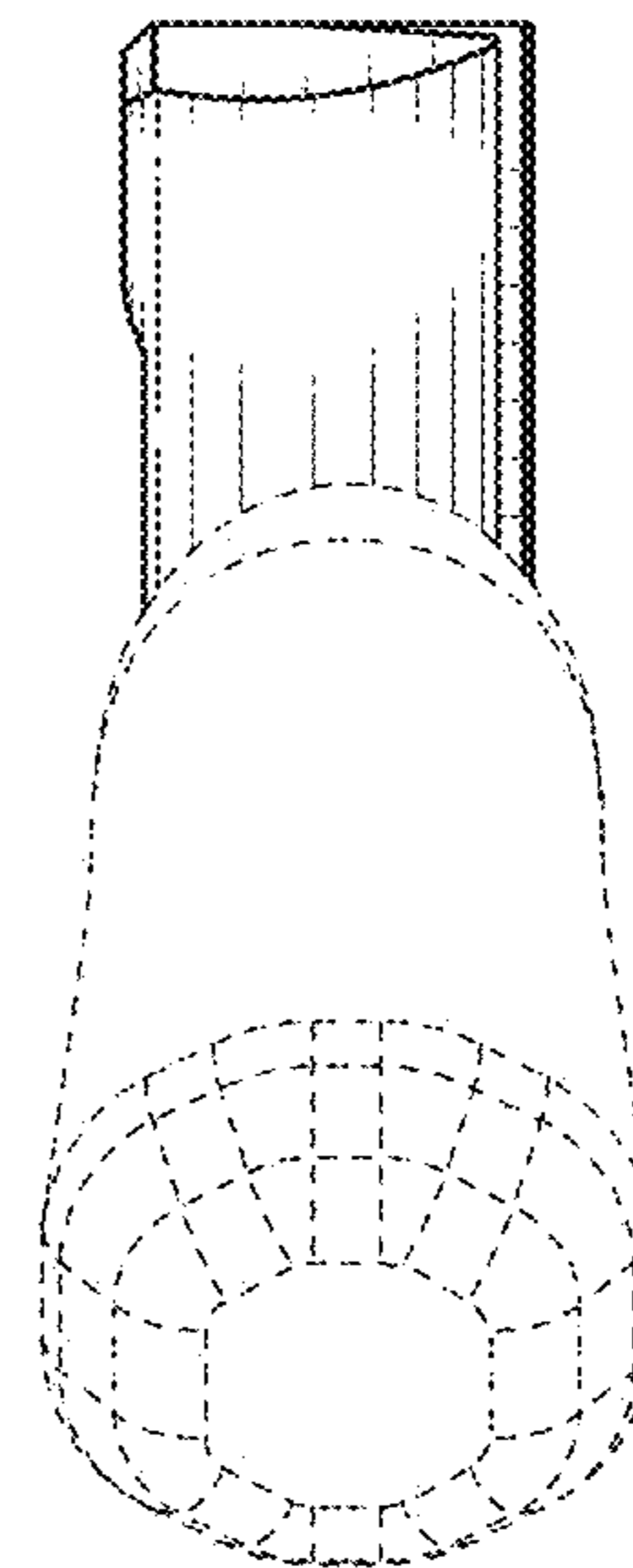


FIG. 7