



US00D879903S

(12) **United States Design Patent**
Li

(10) **Patent No.:** **US D879,903 S**

(45) **Date of Patent:** **** Mar. 31, 2020**

(54) **FOLDING BIPOD**

(71) Applicant: **Huicai Li**, Guangzhou (CN)

(72) Inventor: **Huicai Li**, Guangzhou (CN)

(**) Term: **15 Years**

(21) Appl. No.: **29/670,944**

(22) Filed: **Nov. 21, 2018**

(51) **LOC (12) Cl.** **22-01**

(52) **U.S. Cl.**
USPC **D22/108**

(58) **Field of Classification Search**
USPC D22/100, 103, 108, 109, 110, 111, 113,
D22/115, 116, 199; D21/567, 573
CPC F41A 23/08; F41A 23/10; F41A 21/16;
F41A 21/22; F41C 23/00; F41C 7/00;
F41J 1/10; F41G 1/30
See application file for complete search history.

(56) **References Cited**

U.S. PATENT DOCUMENTS

3,235,997	A *	2/1966	Stoner	F41A 23/08 42/94
4,351,224	A *	9/1982	Curtis	F41A 23/08 42/94
7,631,455	B2 *	12/2009	Keng	F16M 11/10 248/163.1
7,676,977	B1 *	3/2010	Cahill	F16M 11/16 248/168
8,104,213	B2 *	1/2012	Keng	F41A 23/10 42/94
8,402,684	B1 *	3/2013	Beltz	F41A 23/10 42/72
8,448,369	B2 *	5/2013	Hinds, Jr.	F41A 23/08 42/94
9,121,665	B2 *	9/2015	Hinds	F41A 23/04
9,255,751	B1 *	2/2016	Beltz	F41A 23/10
9,303,940	B2 *	4/2016	Bonelli	F16M 11/14
9,574,839	B2 *	2/2017	Genchel	F41A 23/10

9,581,403 B2 * 2/2017 Hayes F41A 23/08
D785,126 S * 4/2017 Barrett D22/108
9,803,947 B2 * 10/2017 Poling F41A 23/10
(Continued)

OTHER PUBLICATIONS

“Matrix Compact Collapsible Polymer Bipod for Airsoft Rifles—Black” [online]. evike.com. [Retrieved on Dec. 30, 2019]. Retrieved from the Internet: <<https://www.evike.com/products/54551/>>.*

Primary Examiner — Khawaja Anwar

Assistant Examiner — Mojtaba Tehrani

(74) *Attorney, Agent, or Firm* — Bayramoglu Law Offices LLC

(57) **CLAIM**

The ornamental design for a folding bipod, as shown and described.

DESCRIPTION

FIG. 1 is a perspective view of a folding bipod showing the new design;

FIG. 2 is a front view thereof;

FIG. 3 is a rear view thereof;

FIG. 4 is a left side view thereof;

FIG. 5 is a right side view thereof;

FIG. 6 is a top view thereof;

FIG. 7 is a bottom view thereof;

FIG. 8 is a perspective view of the folding bipod, in folded position, in condition of use;

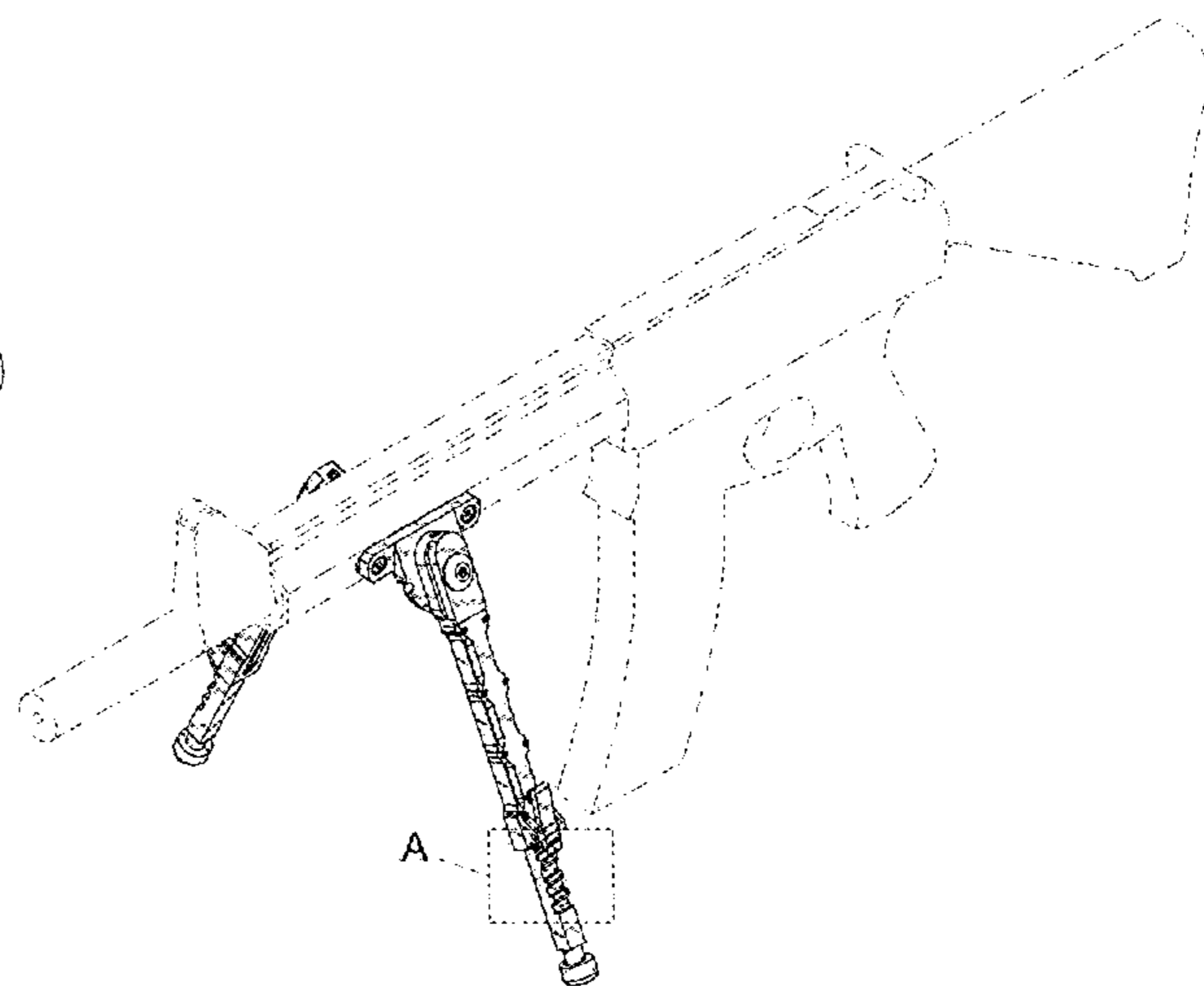
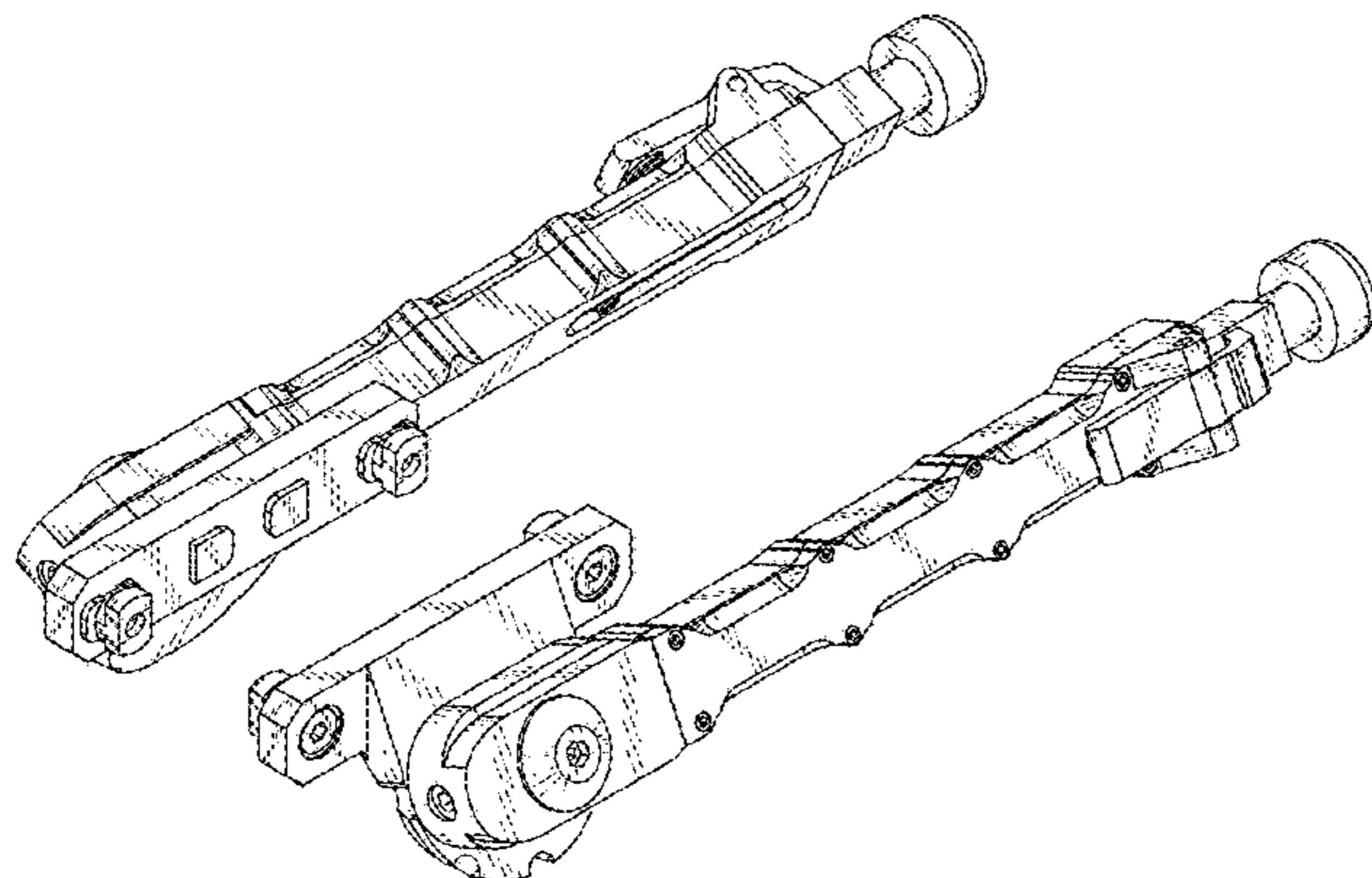
FIG. 9 is a perspective view of the folding bipod, in deployed position, in condition of use; and,

FIG. 10 is a partial an enlarged view of the indicated area “A” in the FIG. 9.

The broken line showing of the rifle is for the purpose of illustrating the environmental structure and forms no part of the claimed design.

The dot-dash broken lines indicating an enlargement portion of the design form no part of the claimed design.

1 Claim, 10 Drawing Sheets



(56)

References Cited

U.S. PATENT DOCUMENTS

10,139,183	B1 *	11/2018	Liu	F41A 23/10
10,161,706	B2 *	12/2018	Roberts	F41A 23/10
10,408,555	B2 *	9/2019	Flood, Jr.	F41A 23/10
2003/0042388	A1 *	3/2003	Peterson	F16M 11/26
				248/440.1
2016/0273863	A1 *	9/2016	Hayes	F41A 23/08
2018/0202746	A1 *	7/2018	Flood, Jr.	F41A 23/10

* cited by examiner

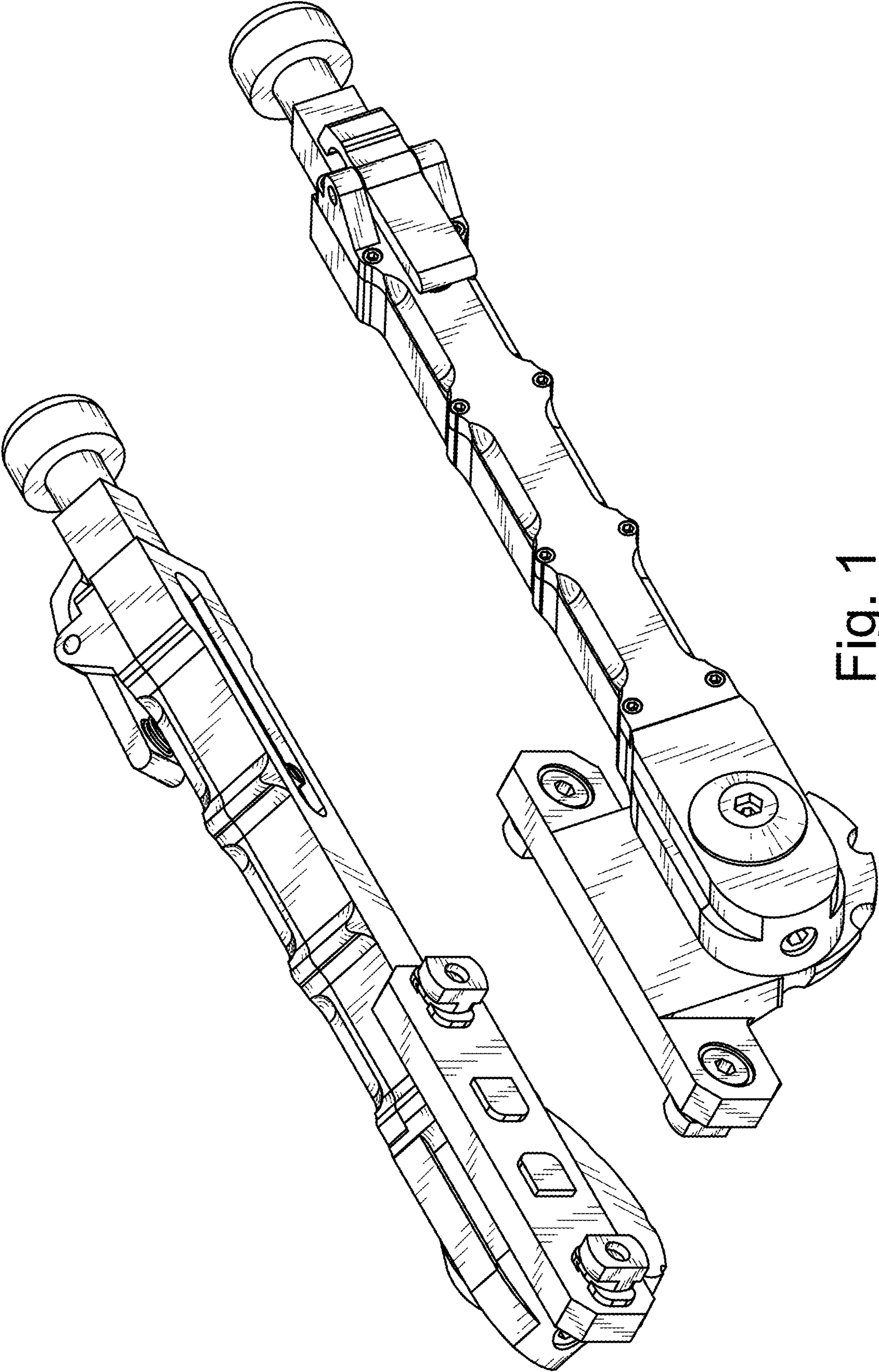


Fig. 1

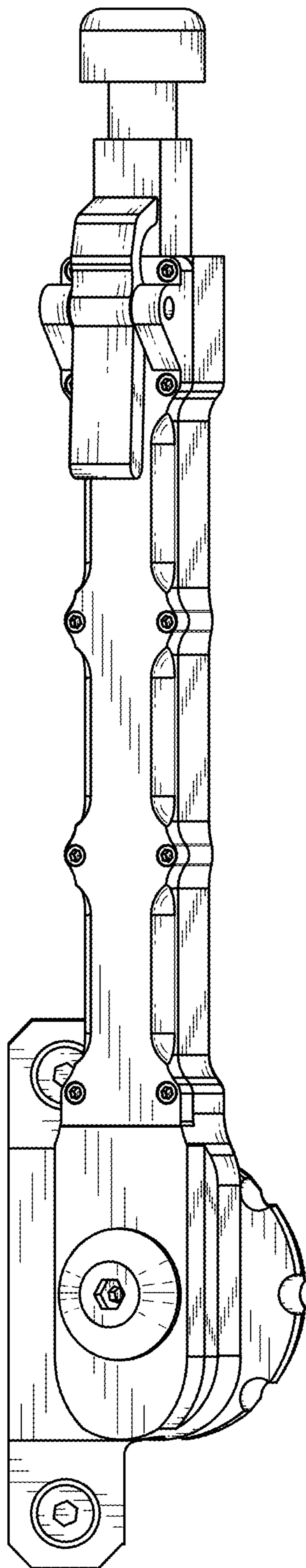


Fig. 2

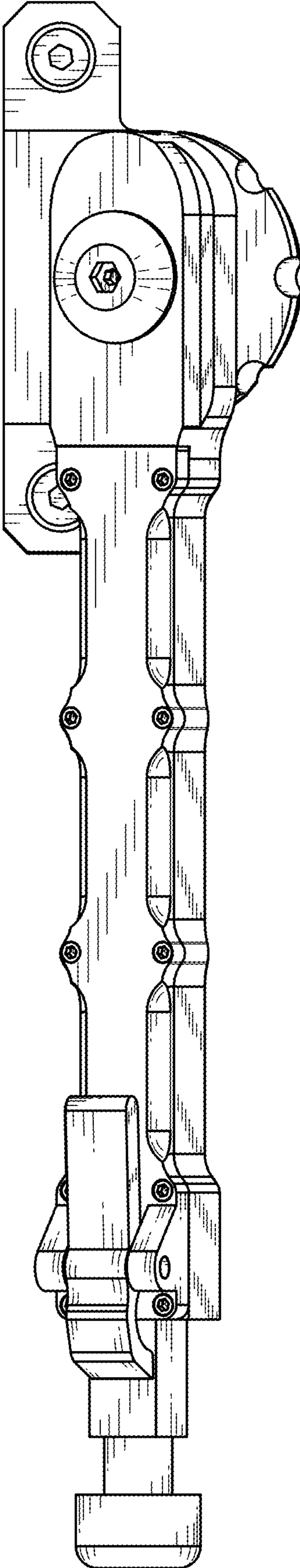


Fig. 3

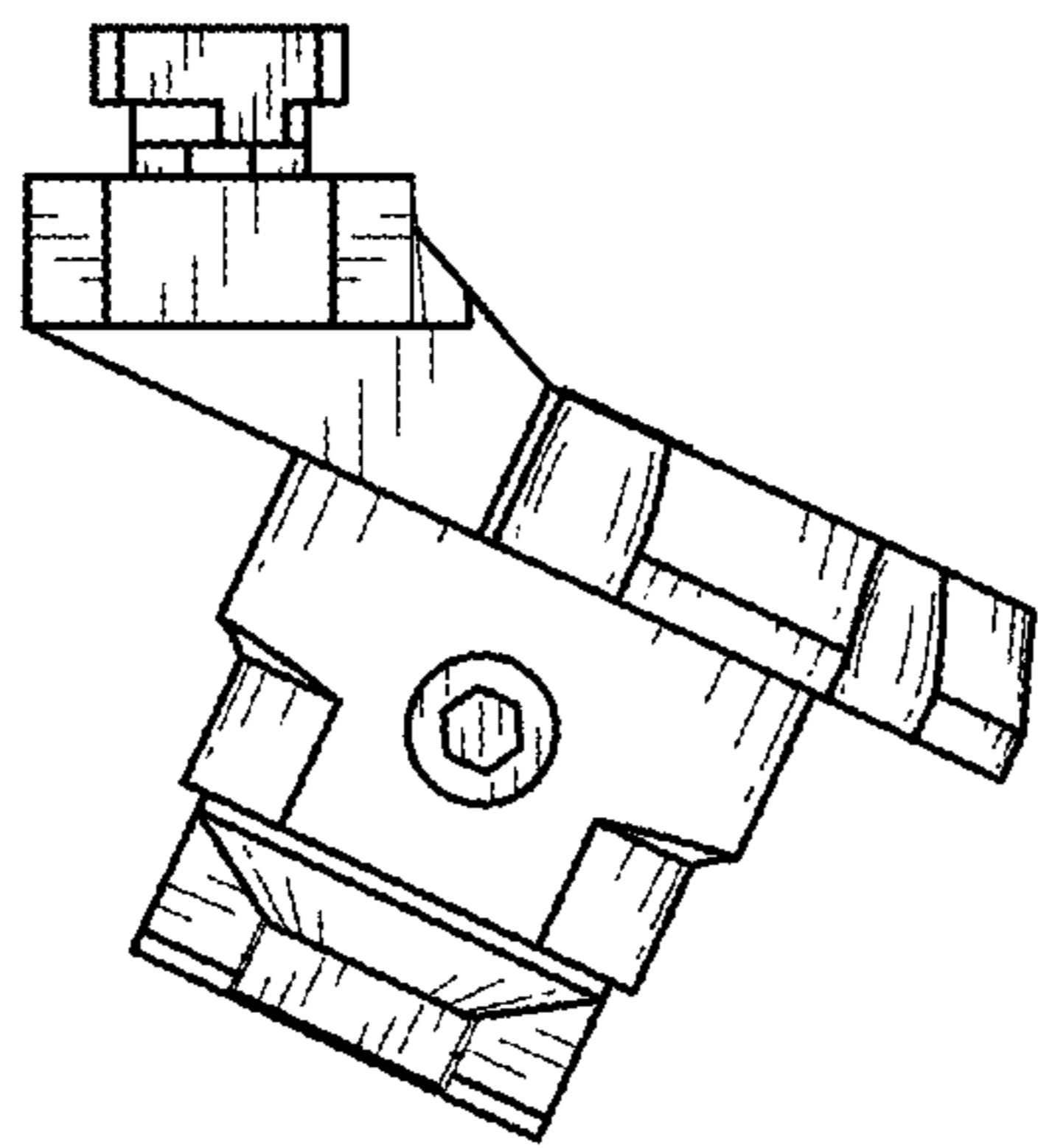
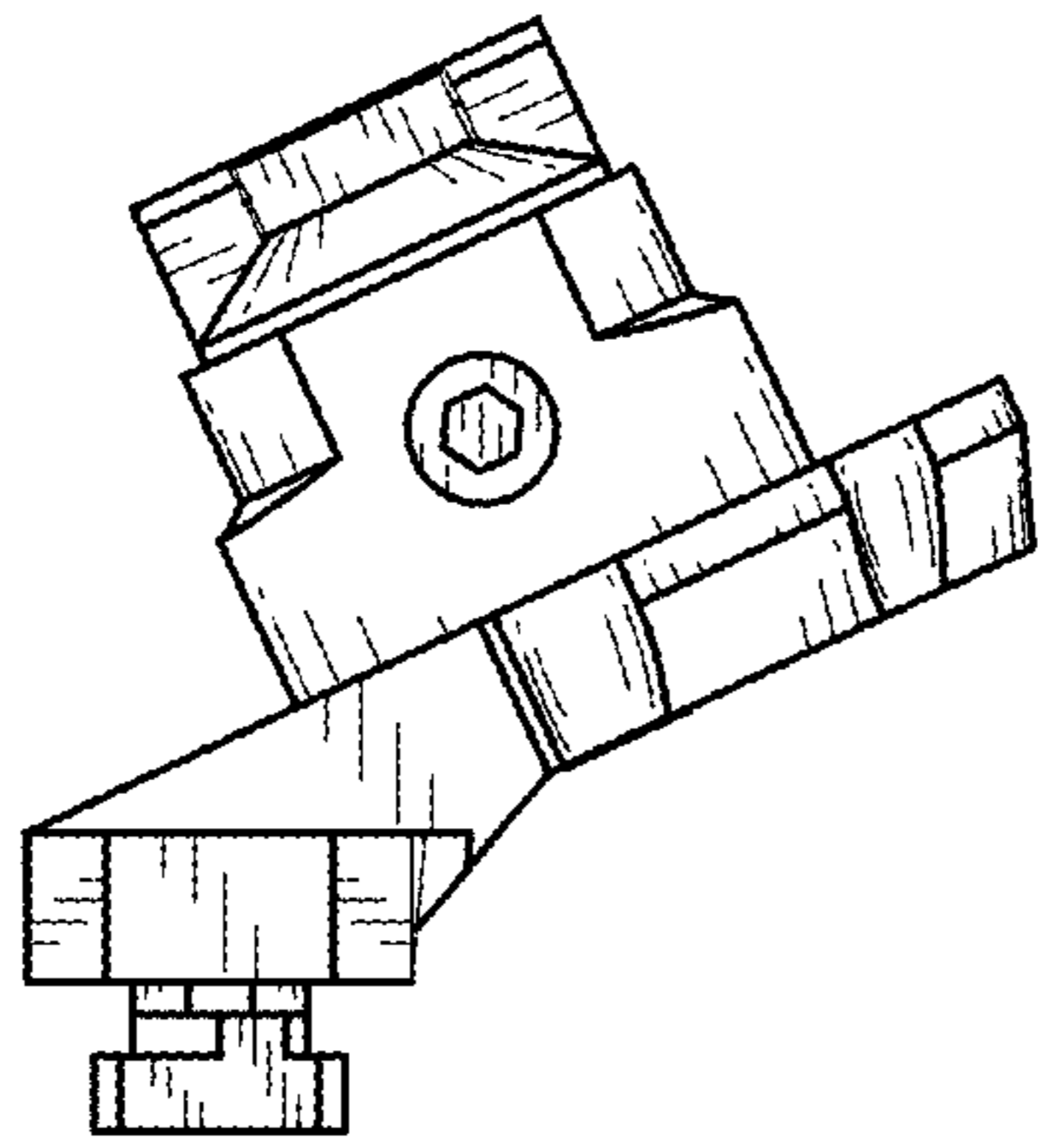


Fig. 4

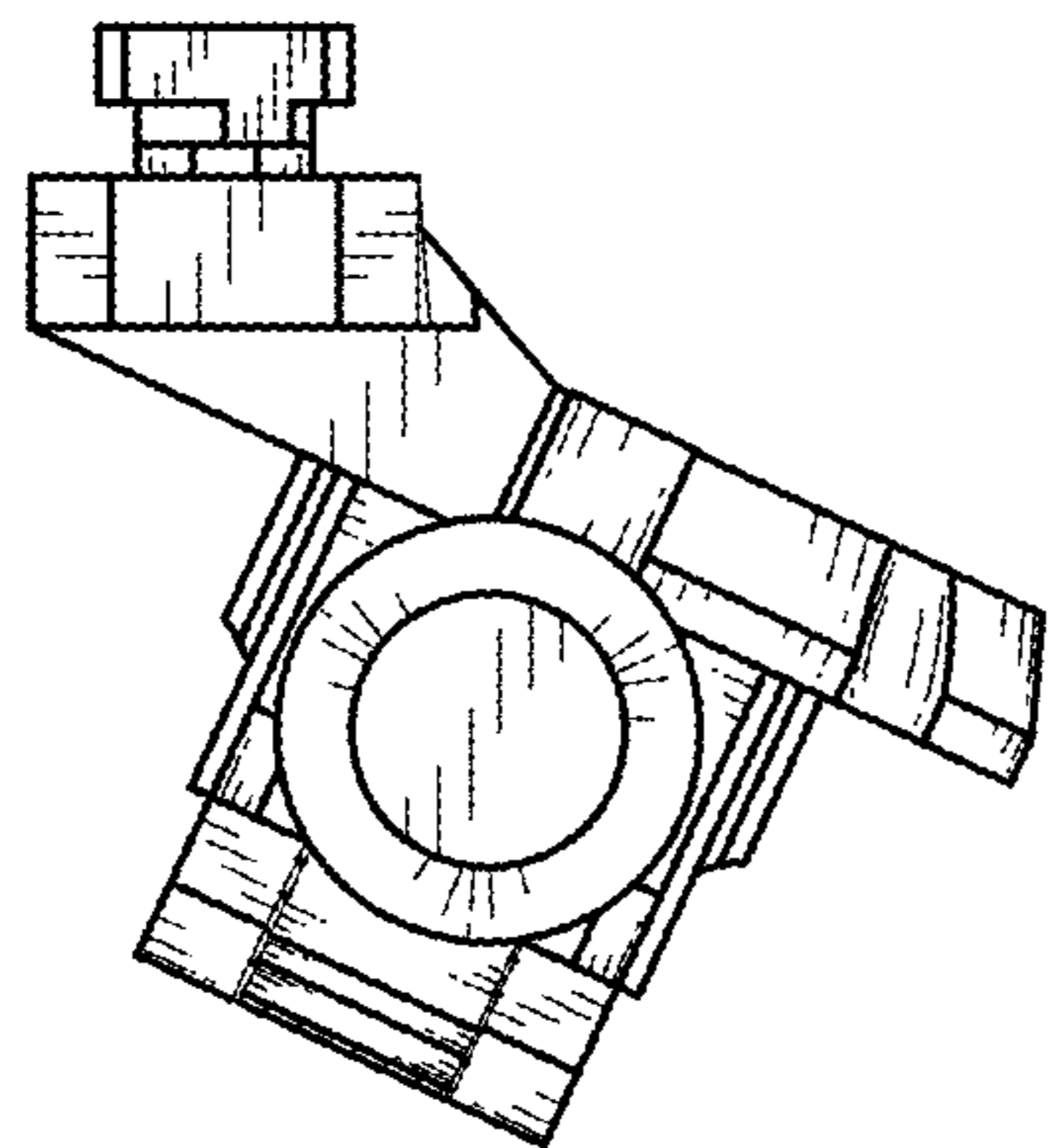
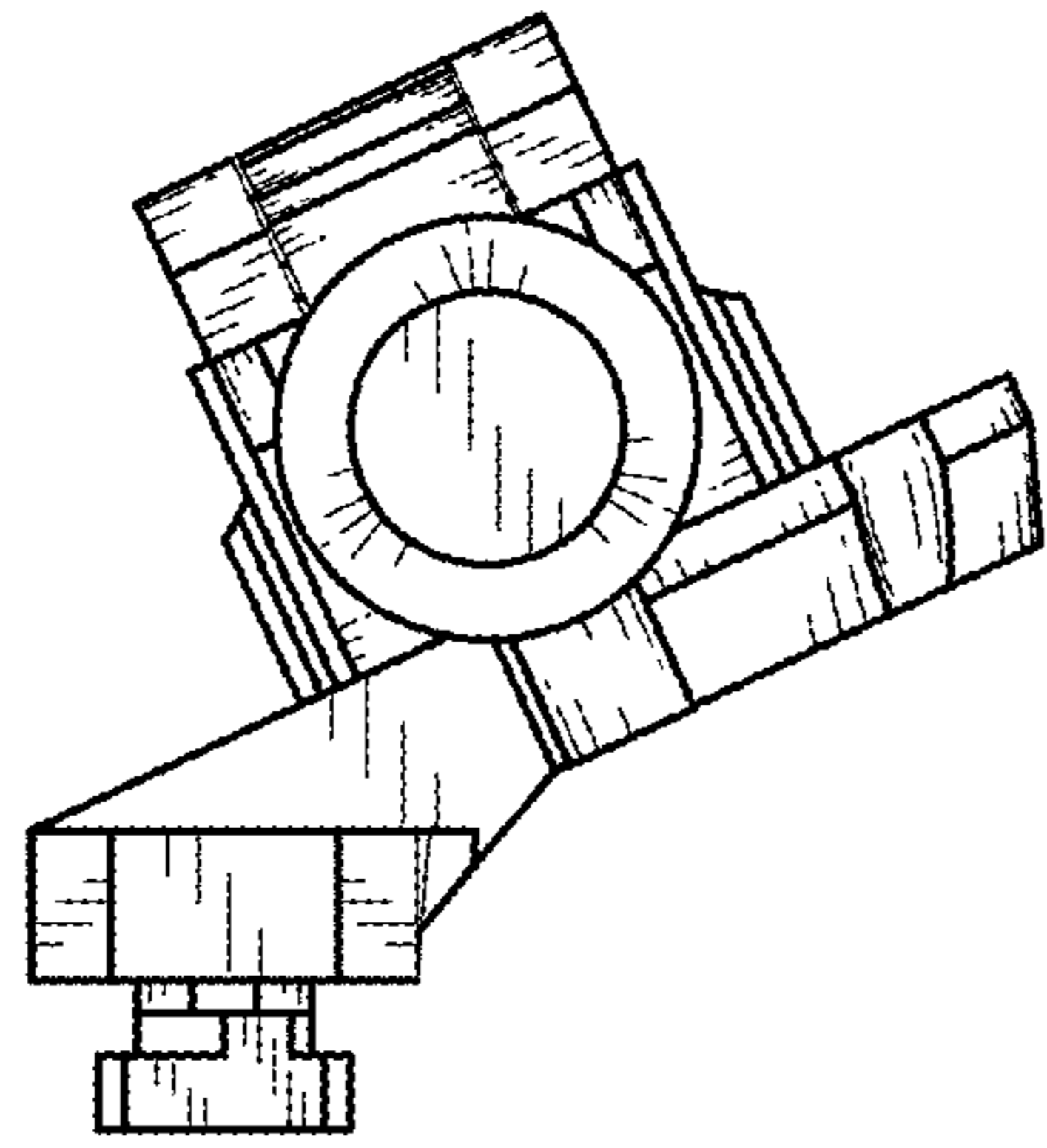


Fig. 5

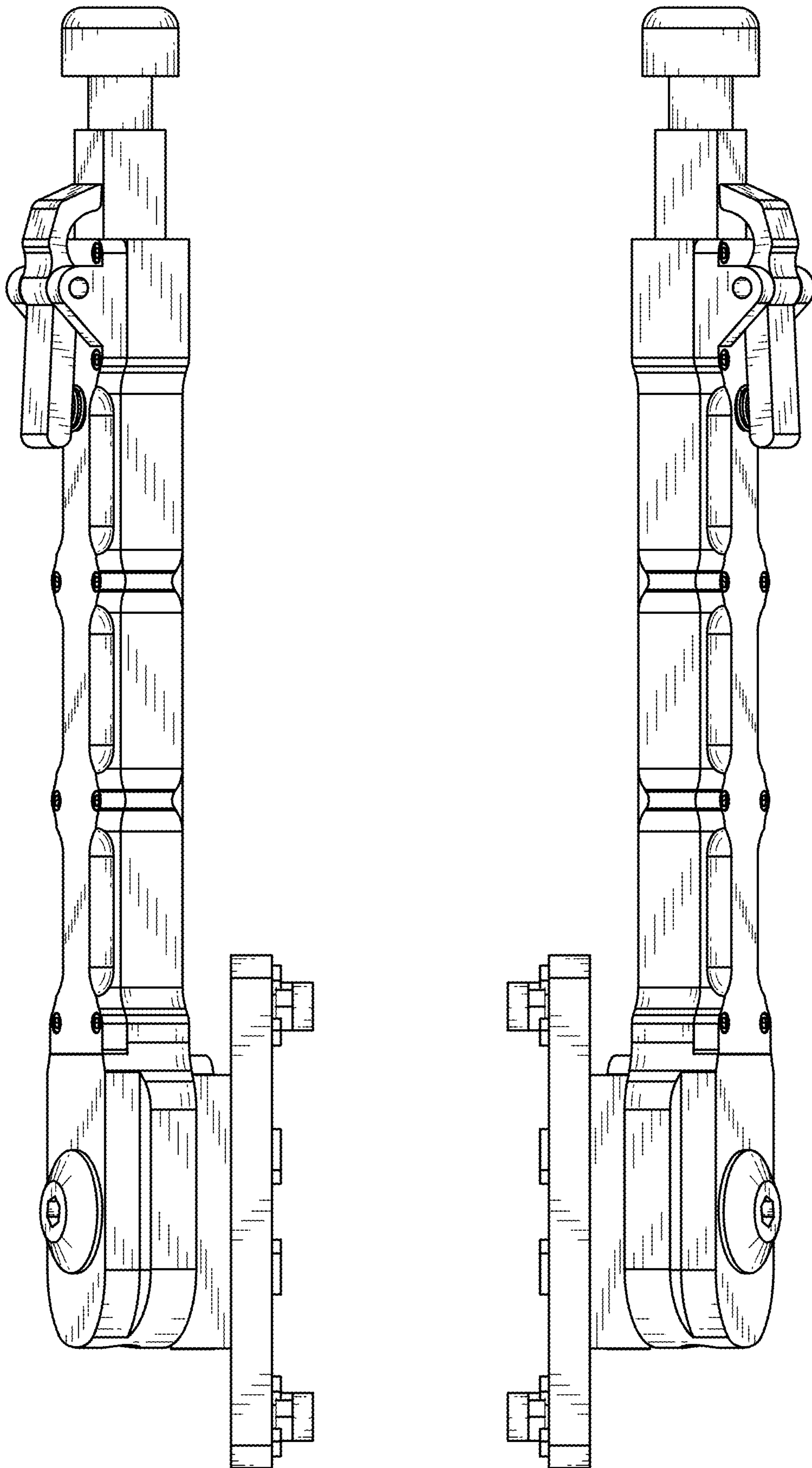


Fig. 6

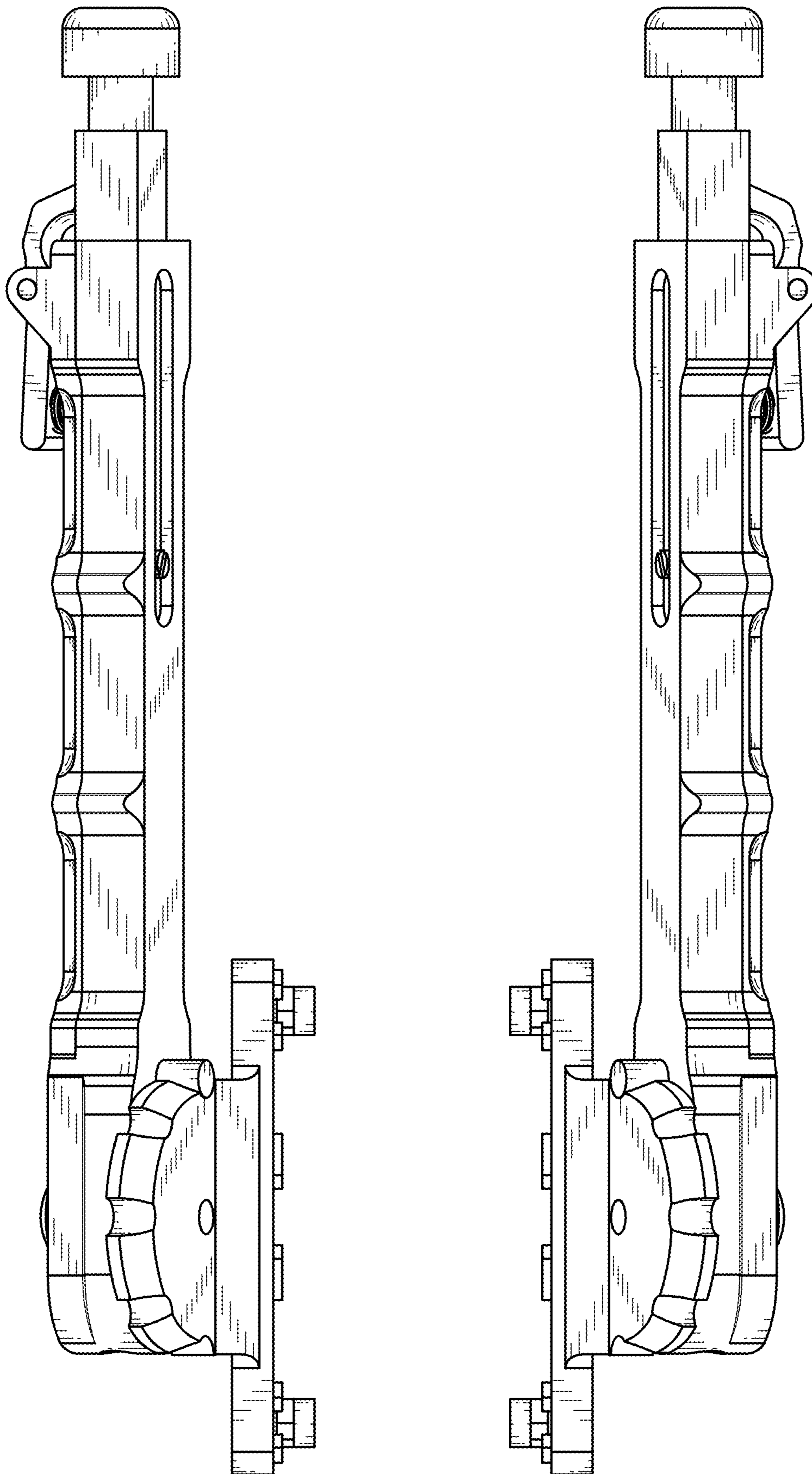


Fig. 7

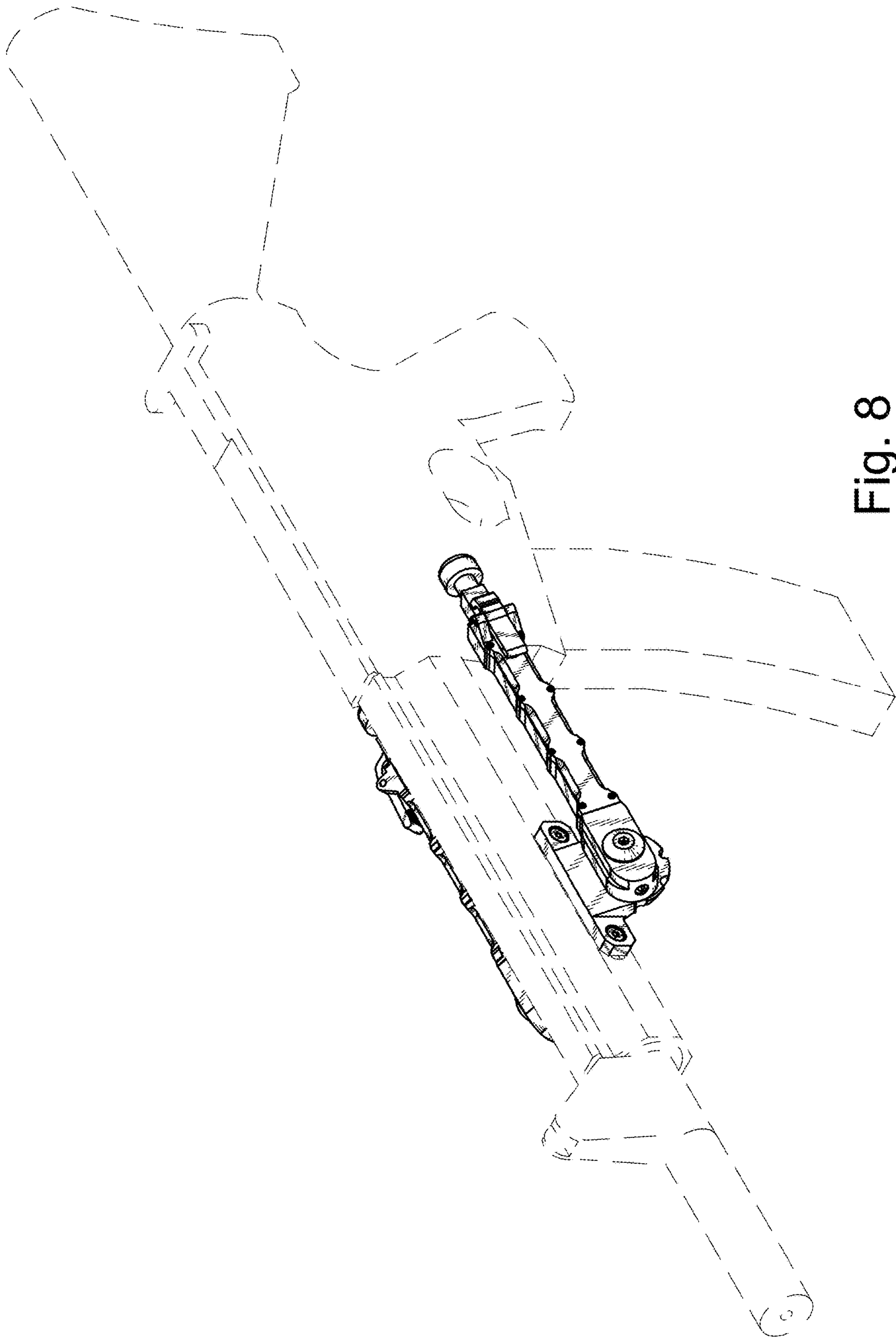


Fig. 8

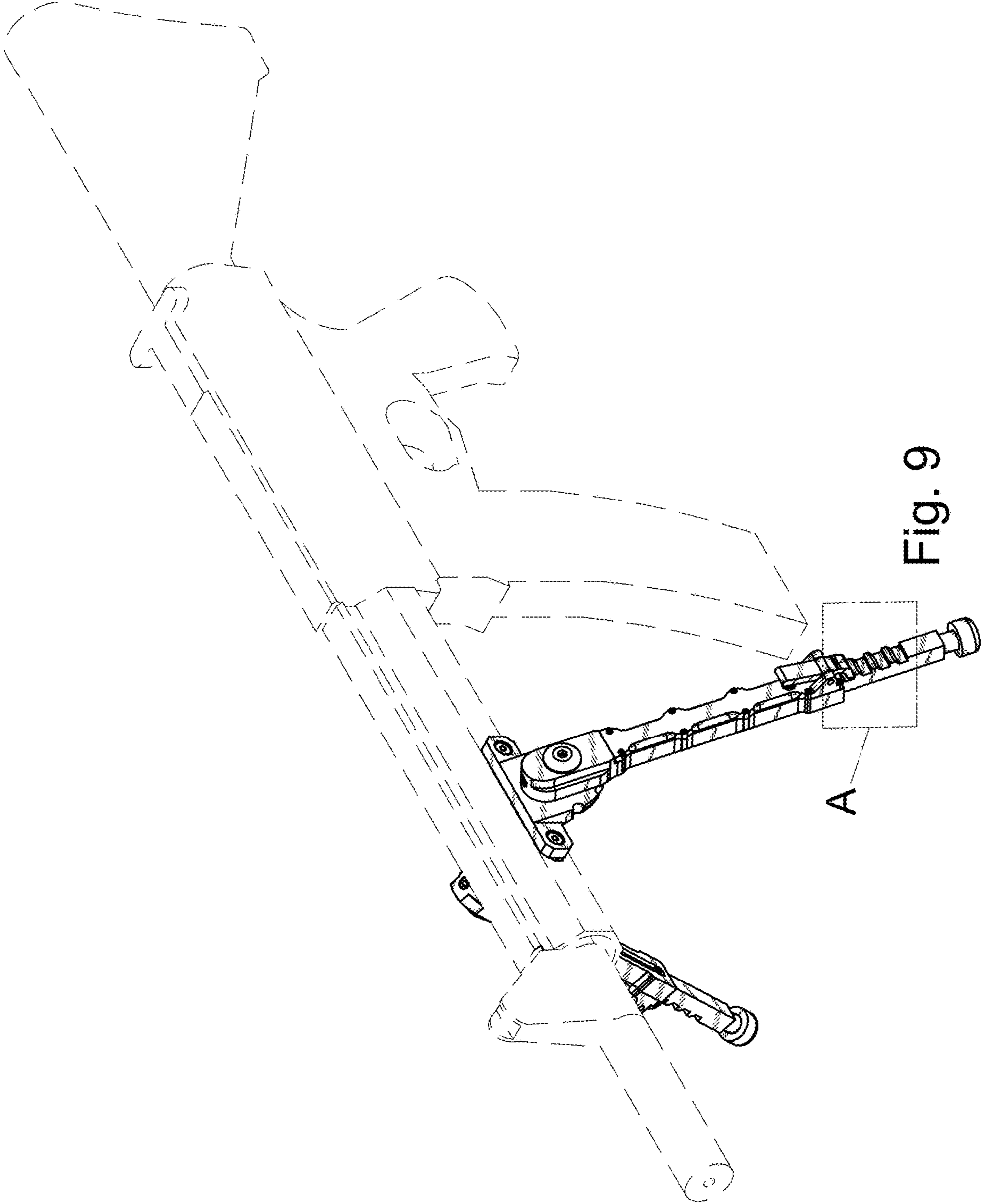


Fig. 9

A

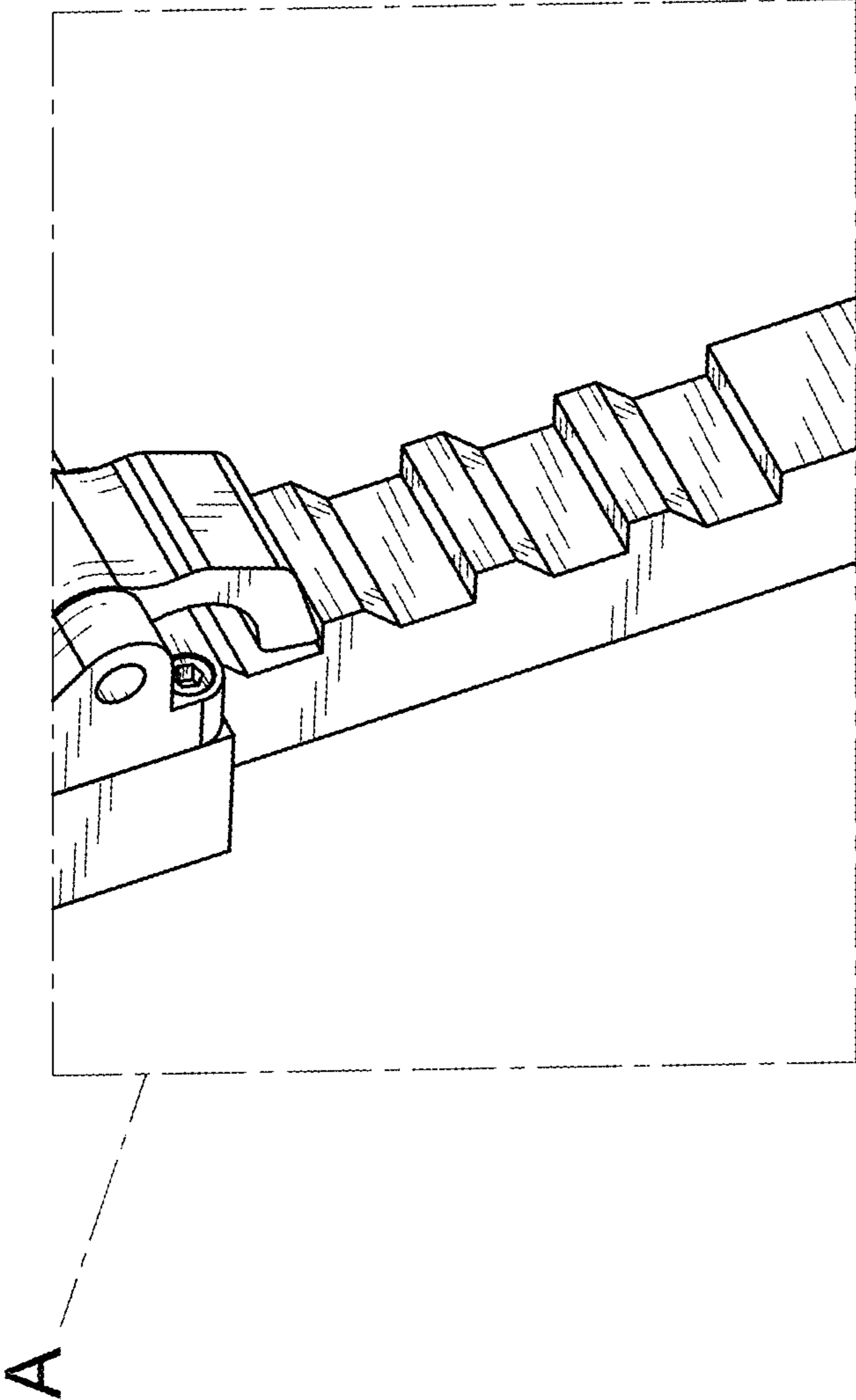


Fig. 10