



US00D879902S

(12) **United States Design Patent** (10) **Patent No.:** **US D879,902 S**  
**Stamm et al.** (45) **Date of Patent:** **\*\* Mar. 31, 2020**

(54) **DUAL-GRIP PORTABLE  
COUNTERMEASURE DEVICE AGAINST  
UNMANNED SYSTEMS**

D779,012 S \* 2/2017 Abbott ..... D22/103  
D787,619 S \* 5/2017 Young ..... D22/103  
D814,591 S \* 4/2018 Kocgur ..... D22/103  
D826,204 S \* 8/2018 OZkaner ..... D14/155

(71) Applicant: **Battelle Memorial Institute,**  
Columbus, OH (US)

FOREIGN PATENT DOCUMENTS

(72) Inventors: **Daniel E. Stamm,** Columbus, OH  
(US); **Alexander Morrow,** Gahanna,  
OH (US)

WO WO 2007/012148 A1 2/2007

(73) Assignee: **BATTELLE MEMORIAL  
INSTITUTE,** Columbus, OH (US)

OTHER PUBLICATIONS

(\*\*) Term: **15 Years**

“World’s First Fully Integrated Anti-UAV Defence System (Auds) Now Features Quad Band RF Inhibitor and Optical Disruptor”; Sep. 8, 2015; <https://www.blighter.com/worlds-first-fully-integrated-anti-uav-defence-system-auds-now-features-quad-band-rf-inhibitor-and-optical-disruptor/>.  
“AUDS—Anti-UAV Defence System”; May 11, 2019; [https://www.youtube.com/watch?time\\_continue=66&N=P8aZ0zWX3SA](https://www.youtube.com/watch?time_continue=66&N=P8aZ0zWX3SA).

(21) Appl. No.: **29/610,107**

(22) Filed: **Jul. 10, 2017**

\* cited by examiner

**Related U.S. Application Data**

(63) Continuation-in-part of application No. 15/596,842, filed on May 16, 2017, now Pat. No. 10,020,909, which is a continuation-in-part of application No. 15/274,021, filed on Sep. 23, 2016, now Pat. No. 10,103,835.

*Primary Examiner* — Michael A. Pratt

(74) *Attorney, Agent, or Firm* — Fay Sharpe LLP

(51) **LOC (12) Cl.** ..... **22-01**

(52) **U.S. Cl.**  
USPC ..... **D22/108**

(57) **CLAIM**

The ornamental design for a dual-grip portable countermeasure device against unmanned systems, as shown and described.

(58) **Field of Classification Search**  
USPC ..... D22/101, 104, 103, 108, 199  
CPC ..... F41B 11/55; F41B 11/51; F41B 11/62  
See application file for complete search history.

**DESCRIPTION**

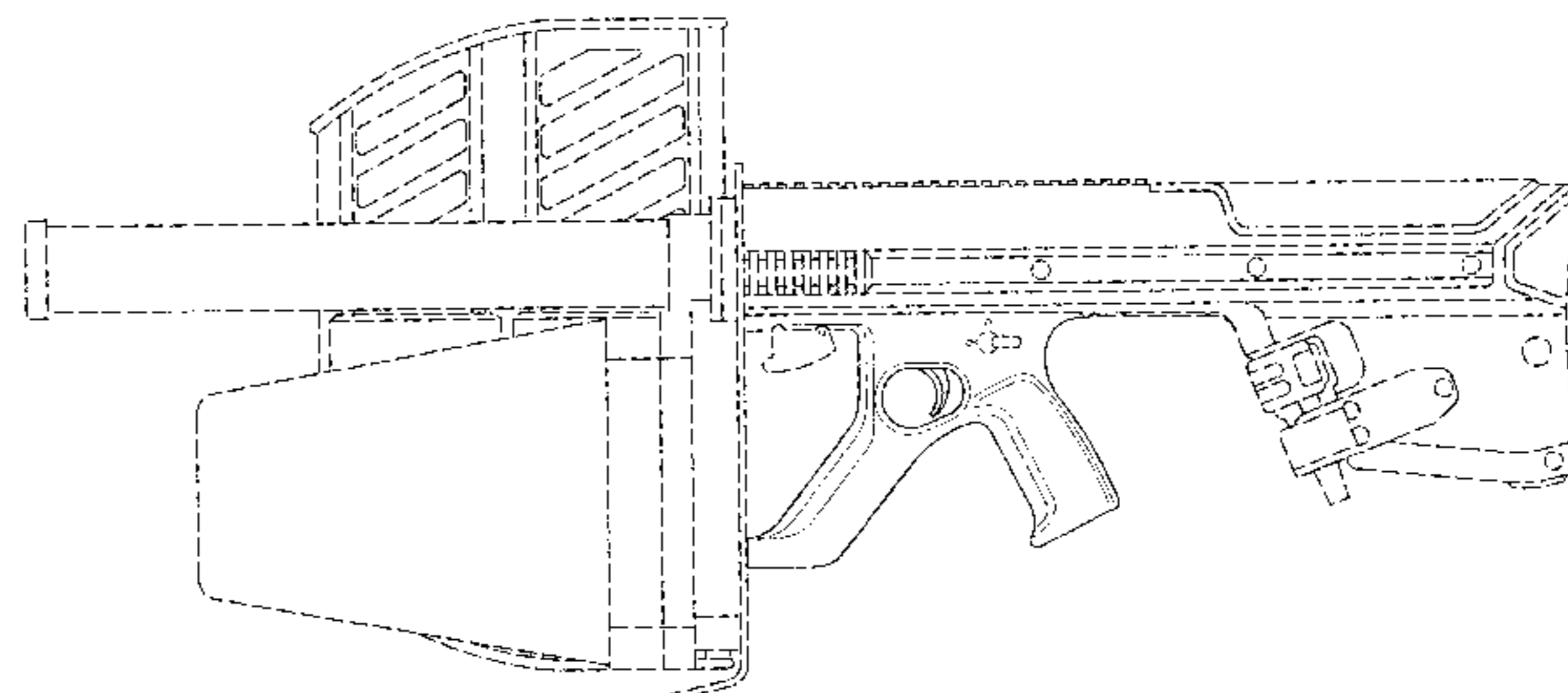
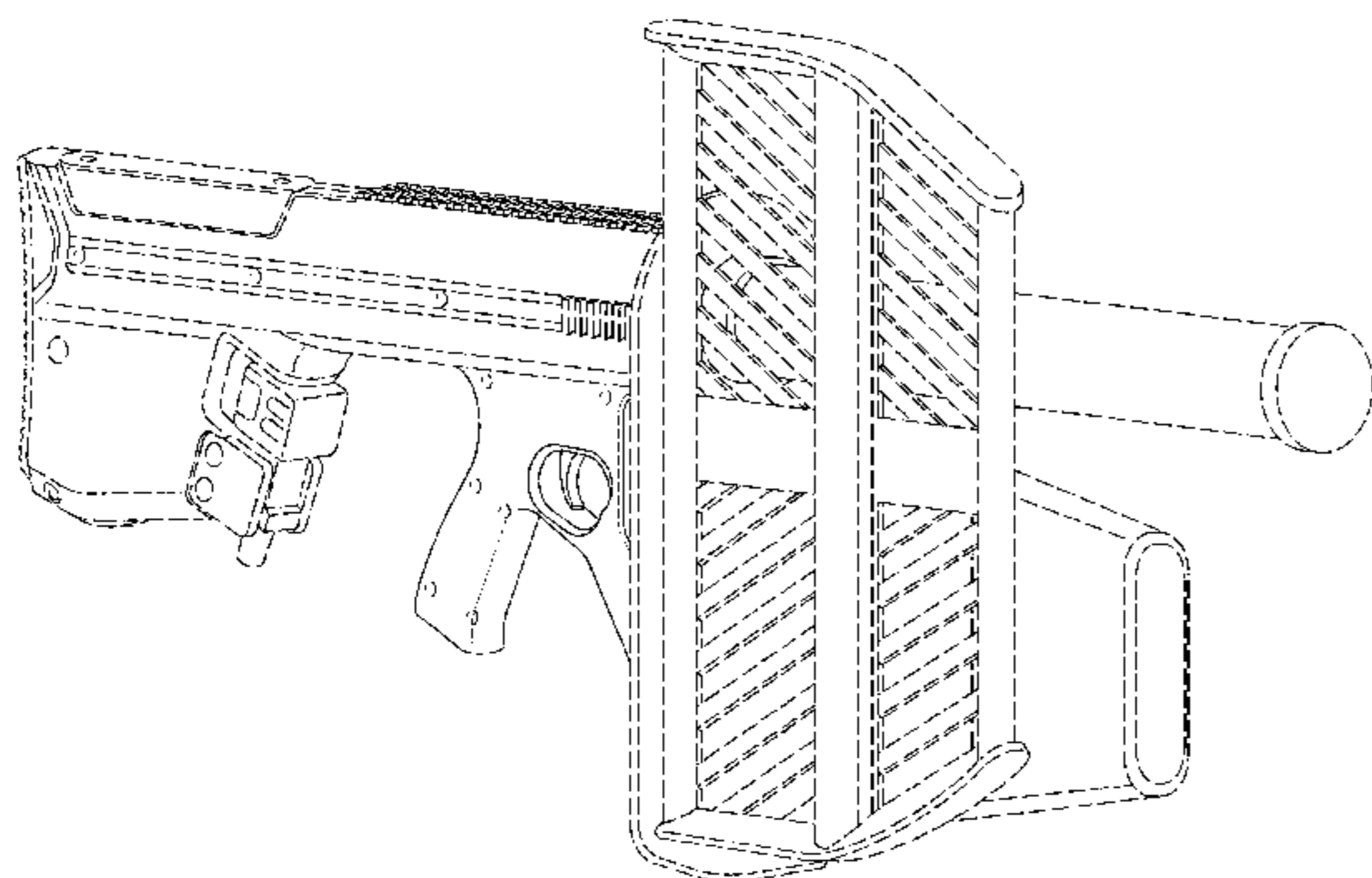
(56) **References Cited**

U.S. PATENT DOCUMENTS

D672,832 S \* 12/2012 Gerwig ..... D22/103  
D745,103 S \* 12/2015 Corsi ..... D22/103  
D769,394 S \* 10/2016 Young ..... D22/103

FIG. 1 is a perspective view of dual-grip portable countermeasure device against unmanned systems.  
FIG. 2 is a right side view thereof.  
FIG. 3 is a left side view thereof.  
FIG. 4 is a top view thereof.  
FIG. 5 is a bottom view thereof.  
FIG. 6 is a rear view thereof; and,  
FIG. 7 is a front view thereof.  
The broken lines of FIGS. 1-7 illustrate portions of the article and form no part of the claimed design.

**1 Claim, 5 Drawing Sheets**



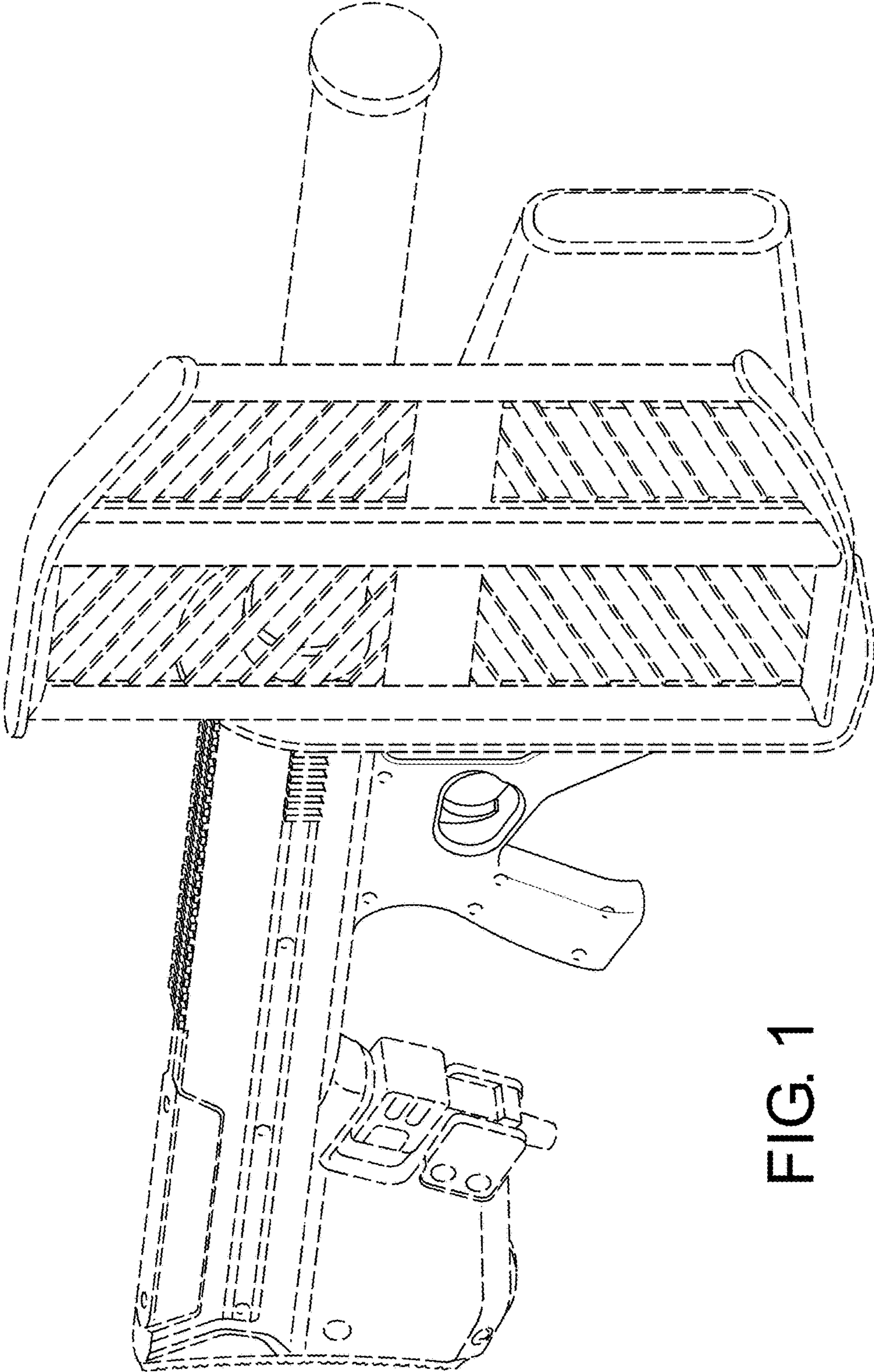


FIG. 1

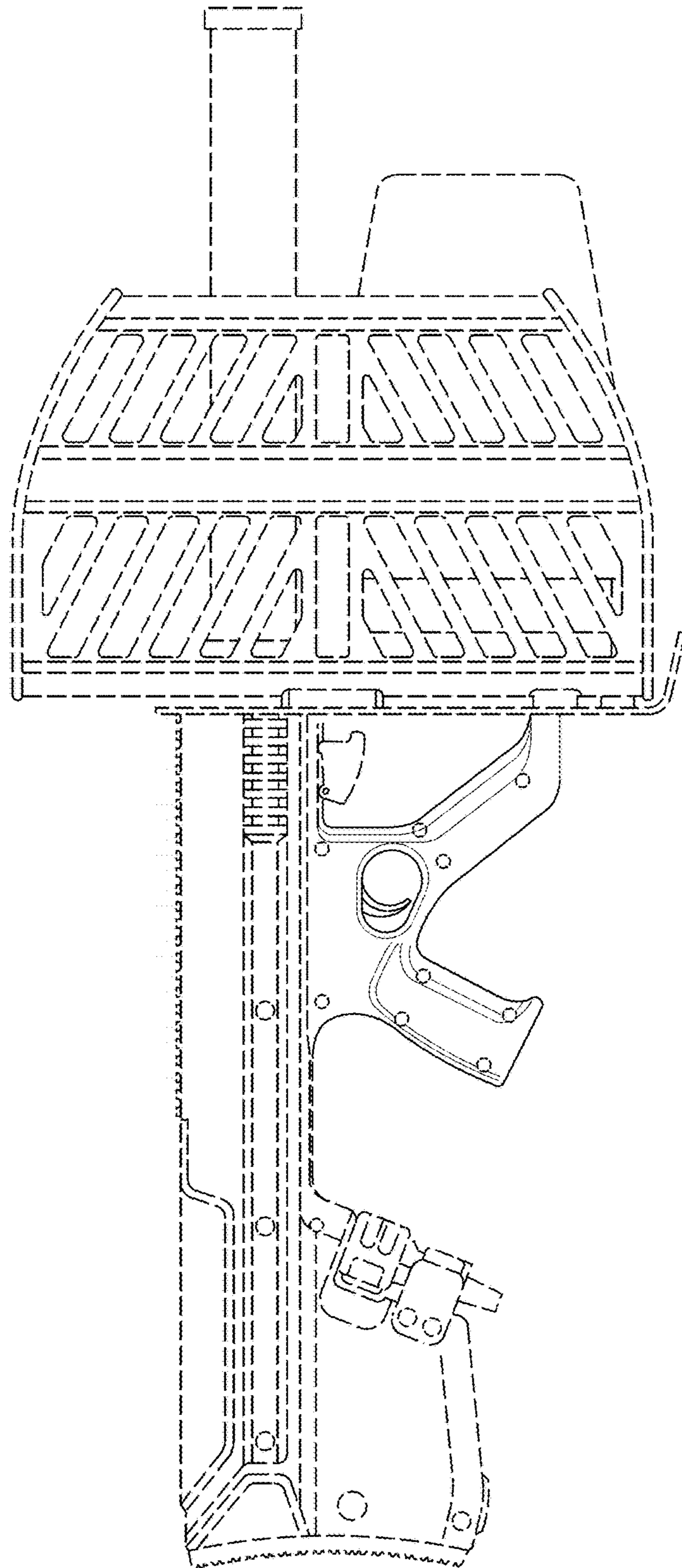


FIG. 2

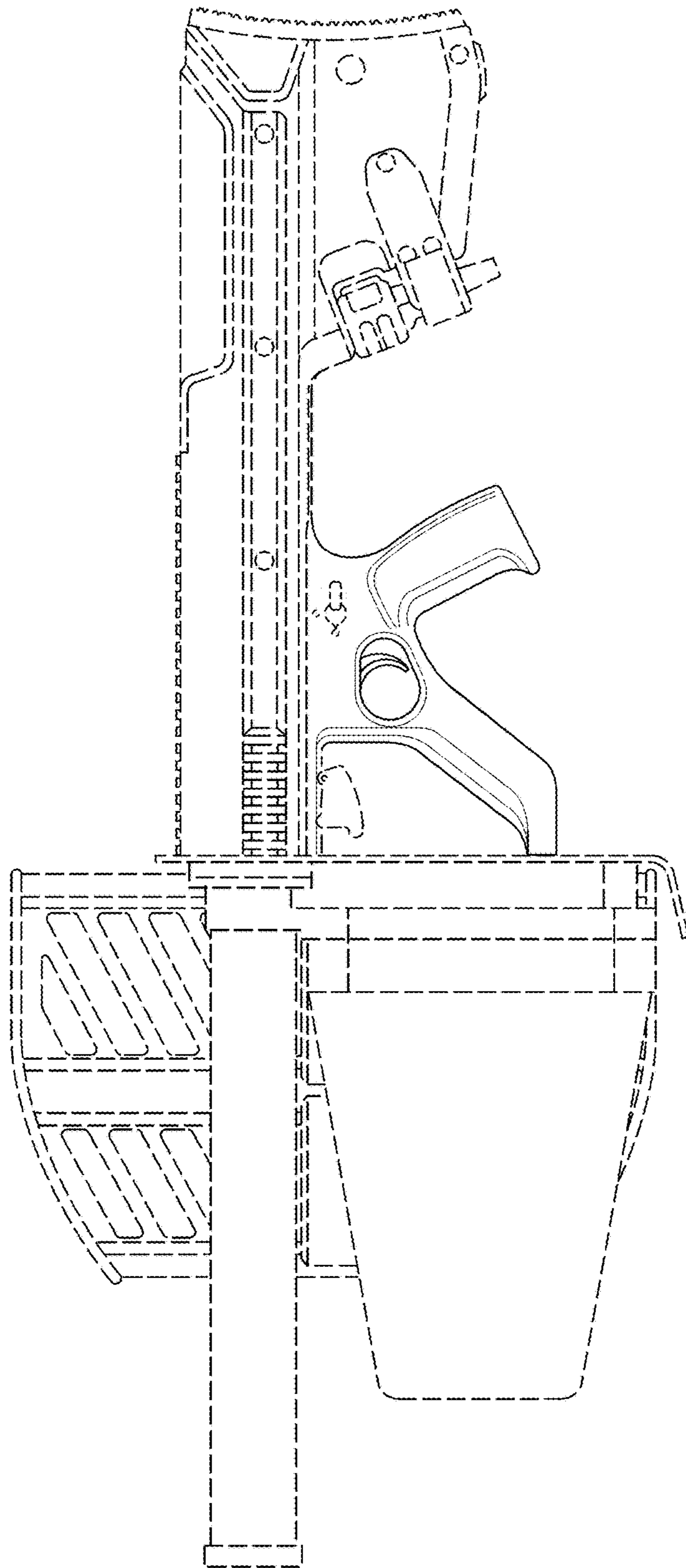


FIG. 3

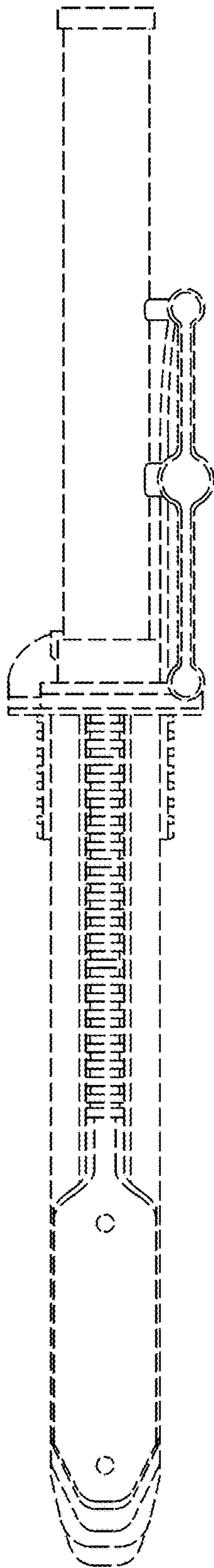


FIG. 4

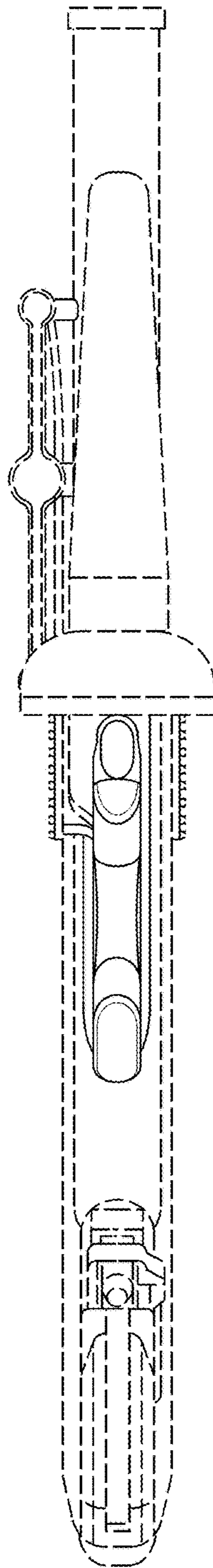


FIG. 5

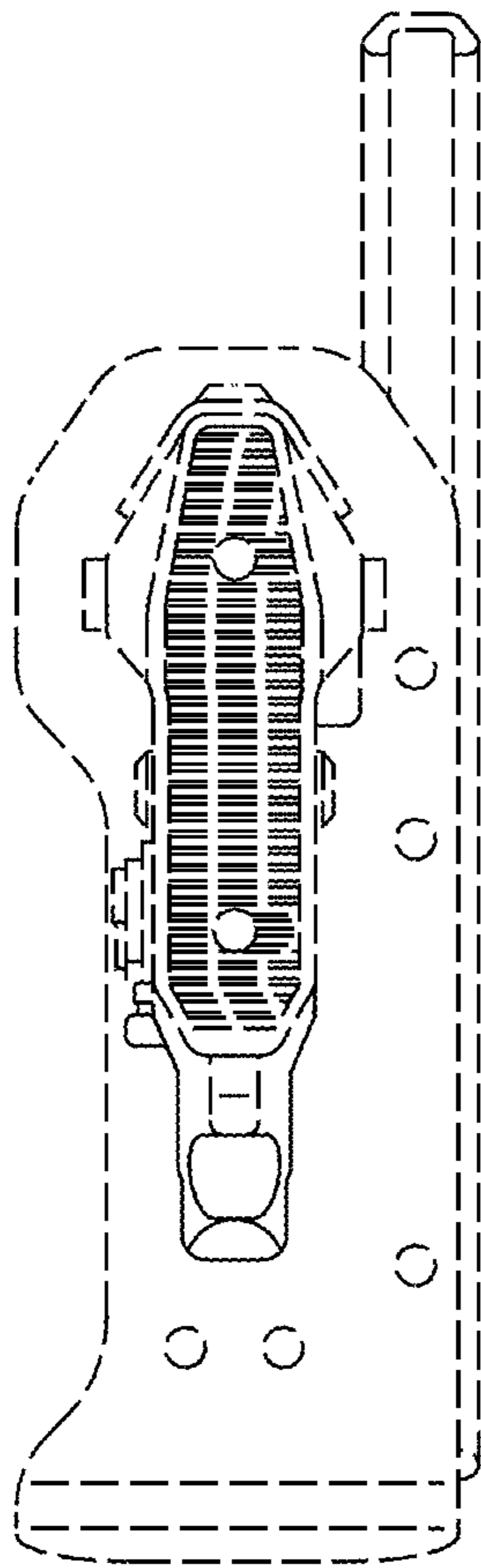


FIG. 6

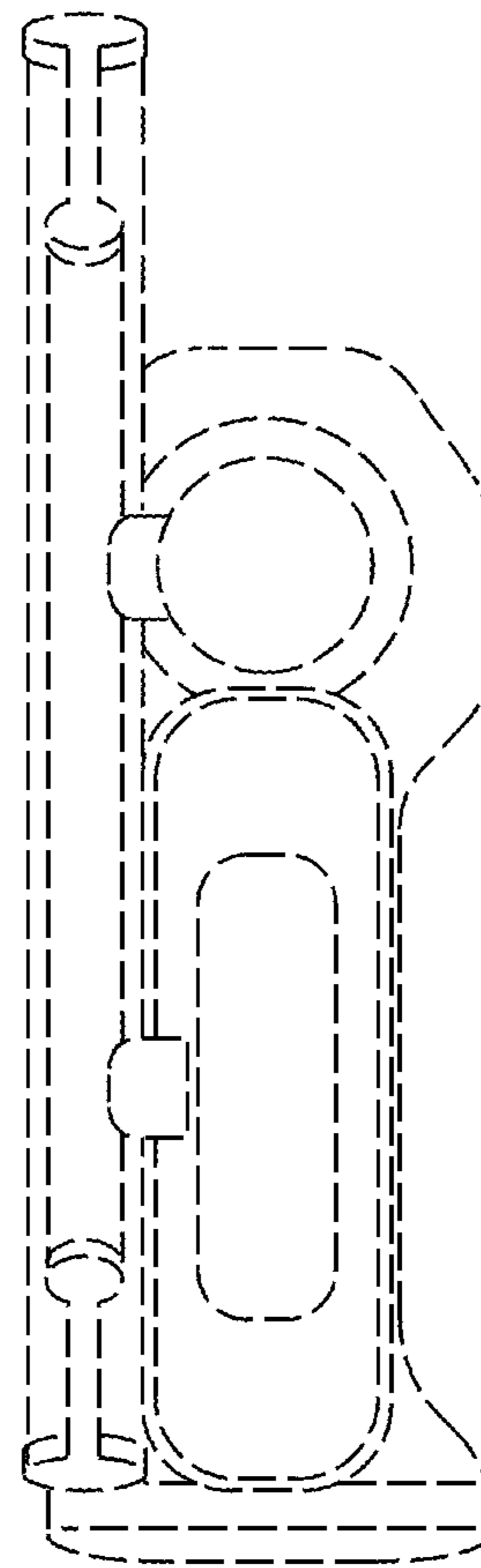


FIG. 7