



US00D879899S

(12) **United States Design Patent**  
**Engler et al.**

(10) **Patent No.:** **US D879,899 S**  
(45) **Date of Patent:** **\*\* Mar. 31, 2020**

(54) **POOL FLOAT**

D785,119 S \* 4/2017 Hempton ..... D21/808  
D799,627 S \* 10/2017 de Grasse ..... D21/808  
D827,751 S \* 9/2018 Ligeri ..... D21/808

(71) Applicant: **P&P Imports, LLC**, Santa Ana, CA  
(US)

(72) Inventors: **Peter Engler**, Newport Beach, CA  
(US); **Peter Tanoury**, Newport Beach,  
CA (US)

(73) Assignee: **P&P Imports LLC**, Irvine, CA (US)

(\*\*) Term: **15 Years**

(21) Appl. No.: **29/626,526**

(22) Filed: **Nov. 17, 2017**

(51) **LOC (12) Cl.** ..... **21-02**

(52) **U.S. Cl.**  
USPC ..... **D21/808**; D21/803

(58) **Field of Classification Search**  
USPC ..... D6/597-599, 601; D12/316; D21/803,  
D21/805-806, 808, 809  
CPC .. A63B 21/4005; A47C 15/006; A47C 15/008  
See application file for complete search history.

(56) **References Cited**

**U.S. PATENT DOCUMENTS**

D77,372 S \* 1/1929 Shillinger ..... D26/98  
D161,906 S \* 2/1951 Cohen ..... D21/608  
D291,716 S \* 9/1987 Wolfe ..... D21/619  
D291,910 S \* 9/1987 Wolfe ..... D21/620  
D301,910 S \* 6/1989 Wolfe ..... D21/808  
D465,056 S \* 10/2002 Sehl ..... D26/98  
D558,839 S \* 1/2008 Kittelson ..... D21/606  
D683,109 S \* 5/2013 Wingard ..... D2/872  
D747,612 S \* 1/2016 Jensen ..... D6/598  
D759,182 S \* 6/2016 Wampold ..... D21/808

**OTHER PUBLICATIONS**

GoFloats Tropical Parrot Pool Float Party Tube : Published Aug. 2,  
2017 [online], site visited Jun. 3, 2019. Available from Internet  
URL:https://www.amazon.com/dp/B075QVXJ7J/ref=cm\_sw\_r\_tw\_  
dp\_U\_x\_yug-CbK3PN5Z4 (Year: 2017).\*

93" Scarlet Macaw Parrot Inflatable Swimming Pool: Published  
May 23, 2016 [online], site visited Nov. 12, 2019. Available from  
Internet URL: <b>https://www.amazon.co.uk/dp/B01FT9GMW6/  
ref=cm\_sw\_r\_tw\_dp\_U\_x\_pHTYDbZFGXQCW</b> (Year: 2016).\*

\* cited by examiner

*Primary Examiner* — Jack Reickel

*Assistant Examiner* — Melvin L Davis

(74) *Attorney, Agent, or Firm* — Casey Kempner

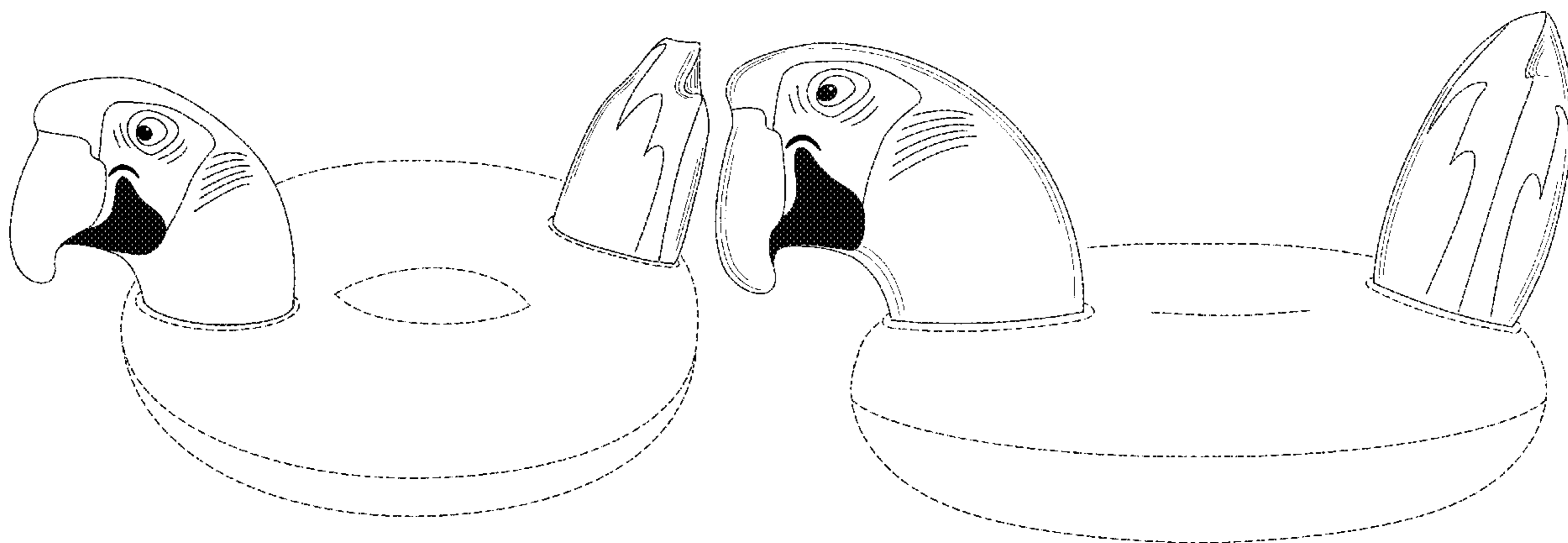
(57) **CLAIM**

The ornamental design for a pool float, as shown and  
described.

**DESCRIPTION**

FIG. 1 is a perspective view of the claimed pool float;  
FIG. 2 is a side view of the claimed pool float;  
FIG. 3 is an opposite side view of the claimed pool float;  
FIG. 4 is a back view of the claimed pool float;  
FIG. 5 is a front view of the claimed pool float;  
FIG. 6 is a top view of the claimed pool float; and,  
FIG. 7 is a bottom view of the claimed pool float.  
The broken lines are for environmental purposes only and  
form no part of the claimed design.

**1 Claim, 7 Drawing Sheets**



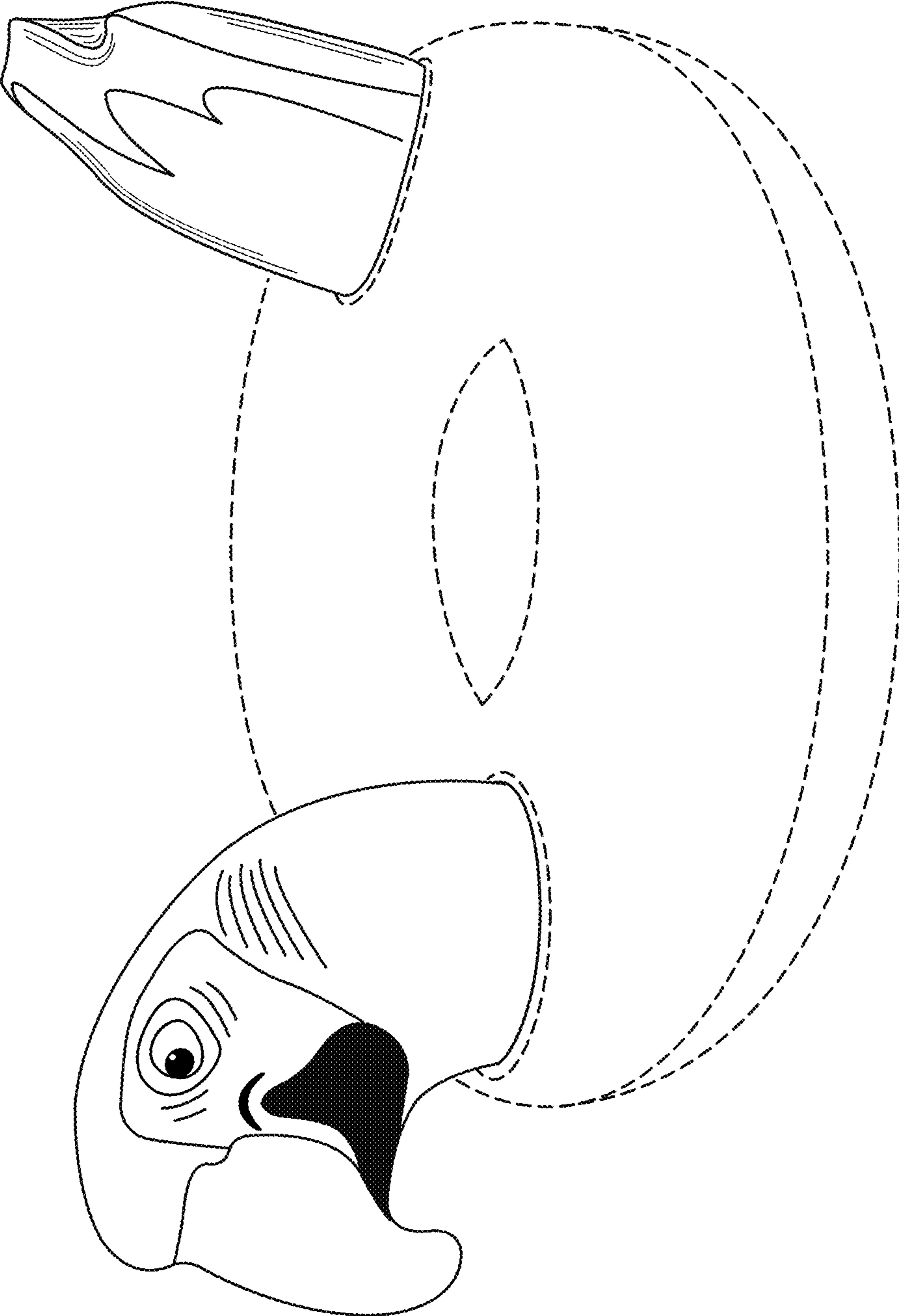


FIG. 1

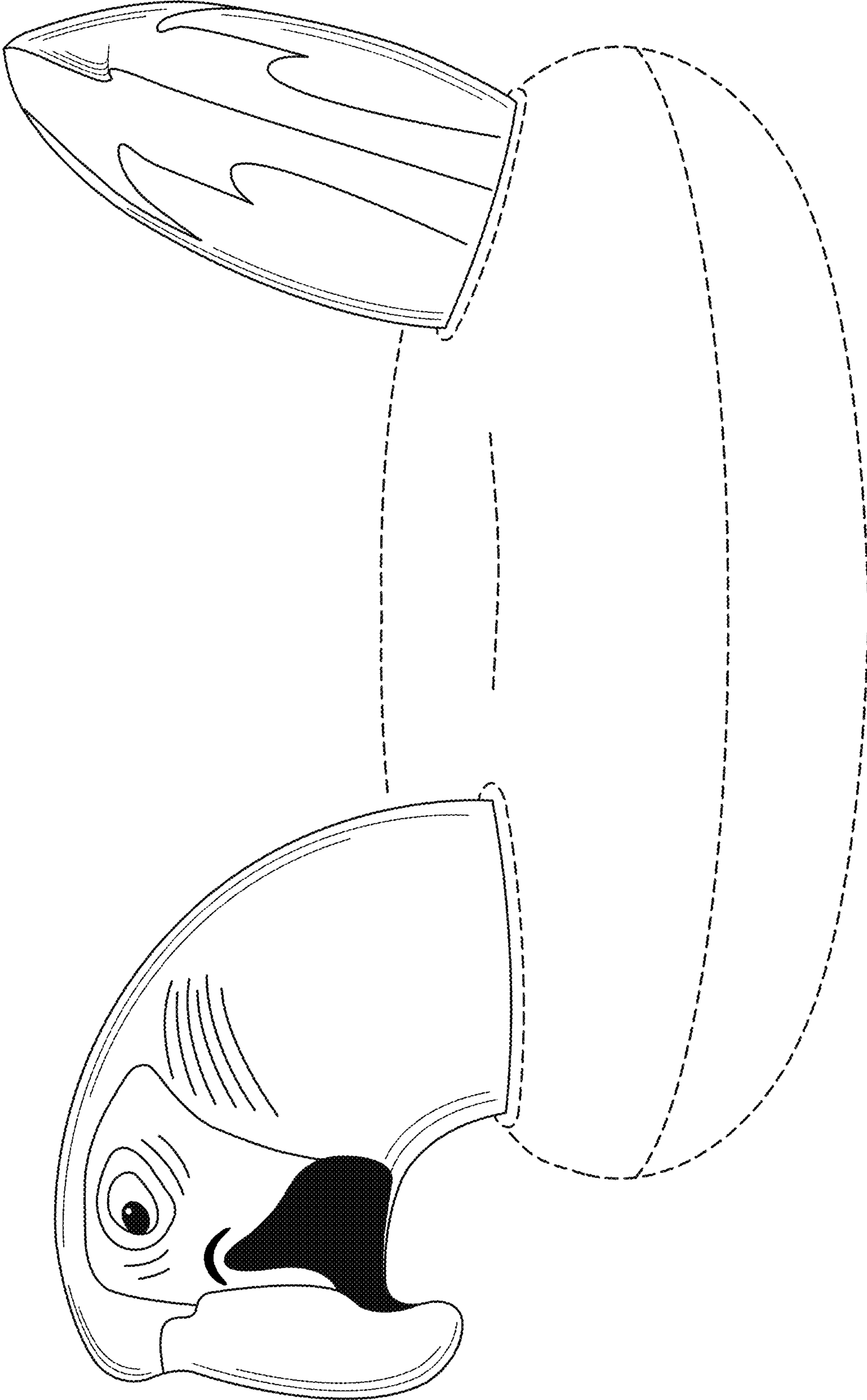


FIG. 2

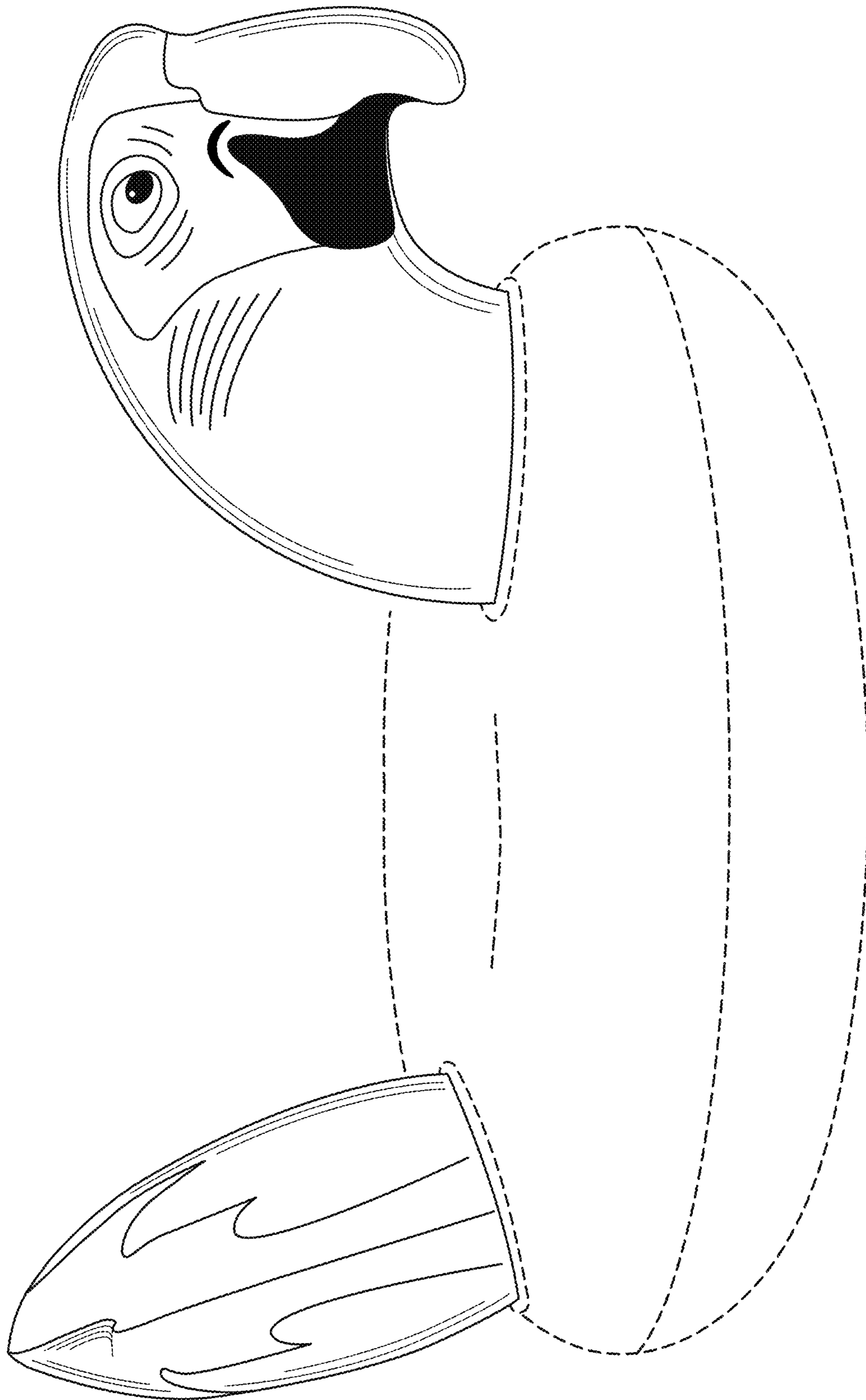


FIG. 3

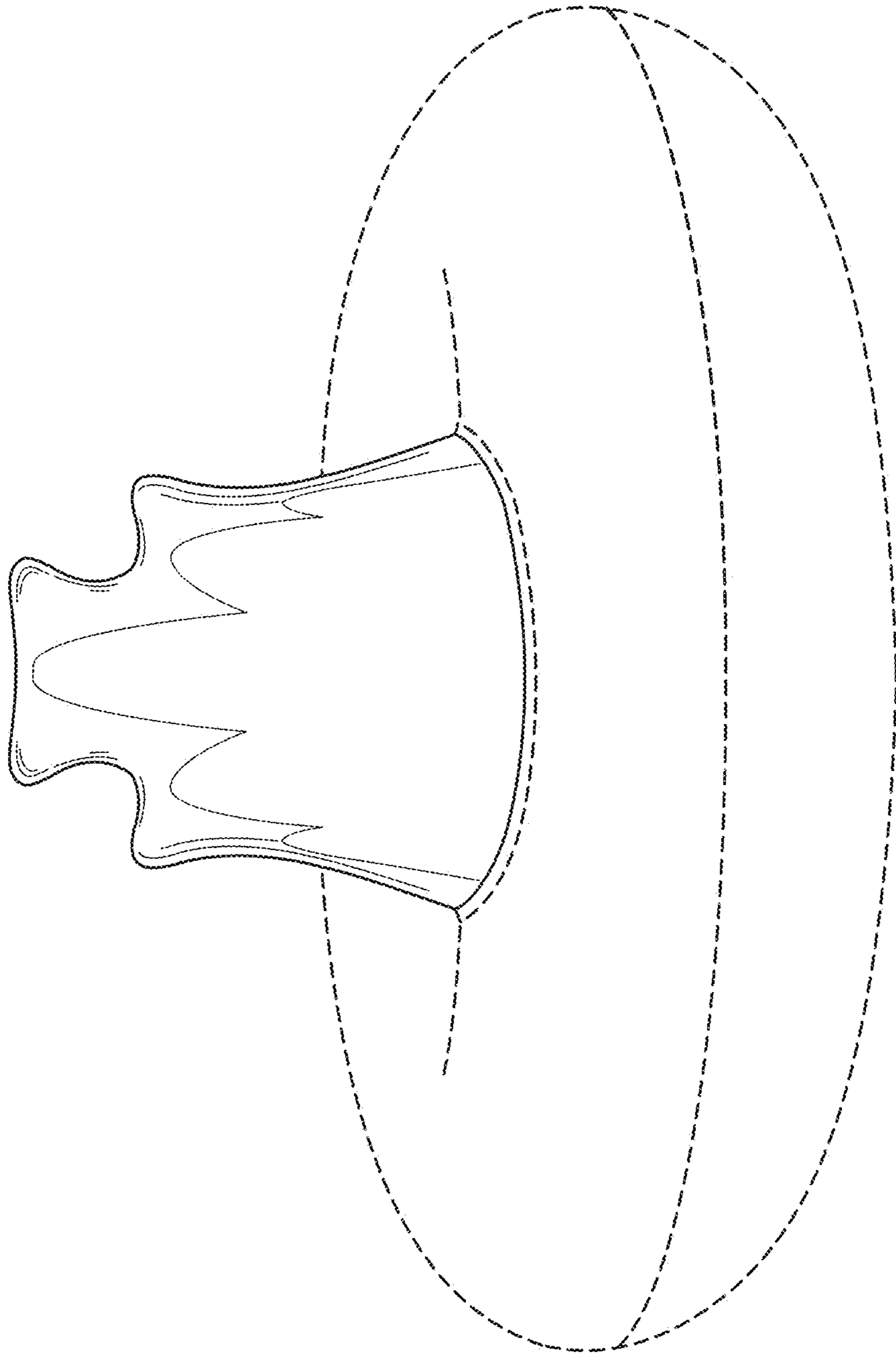


FIG. 4

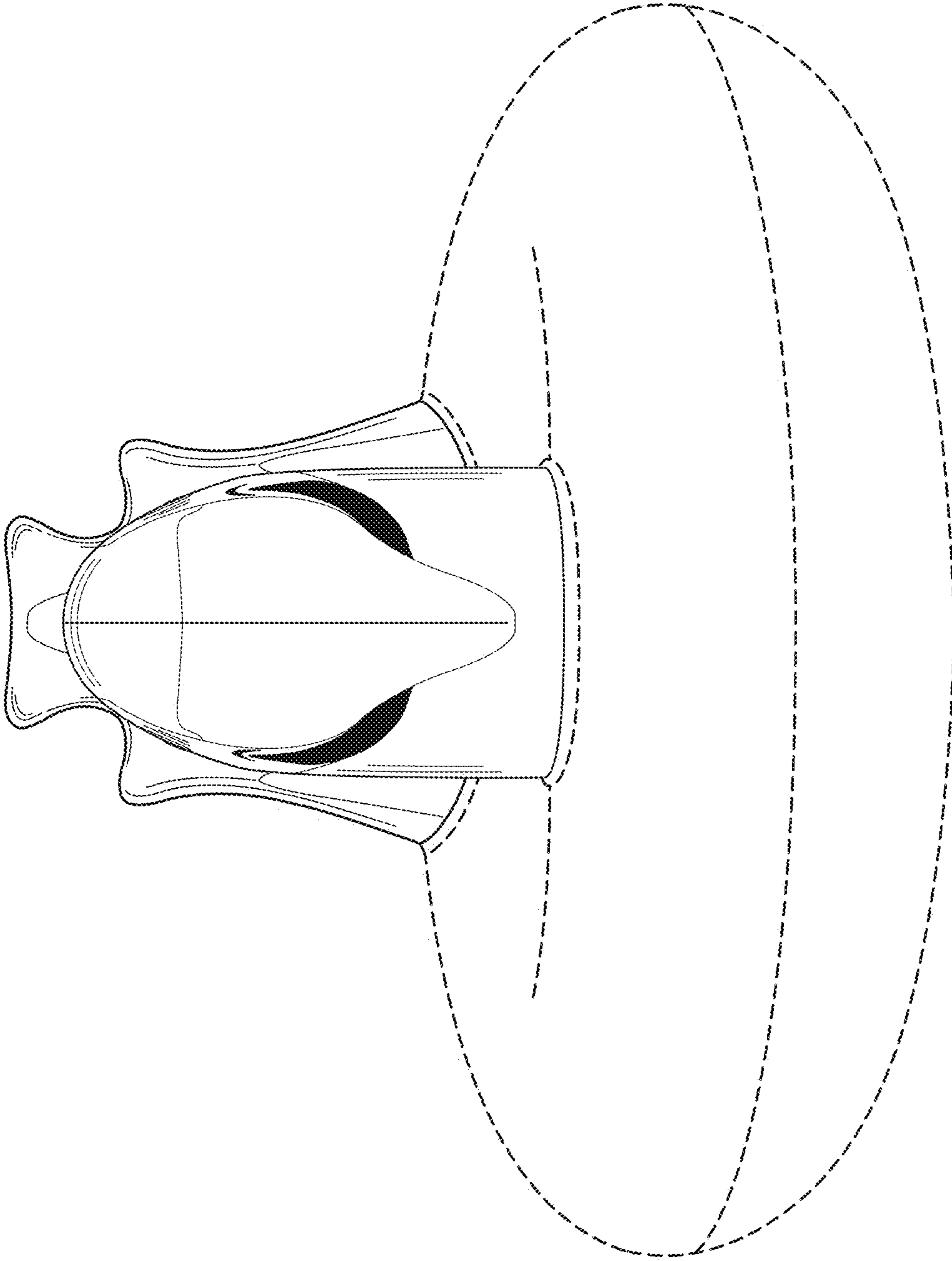


FIG. 5

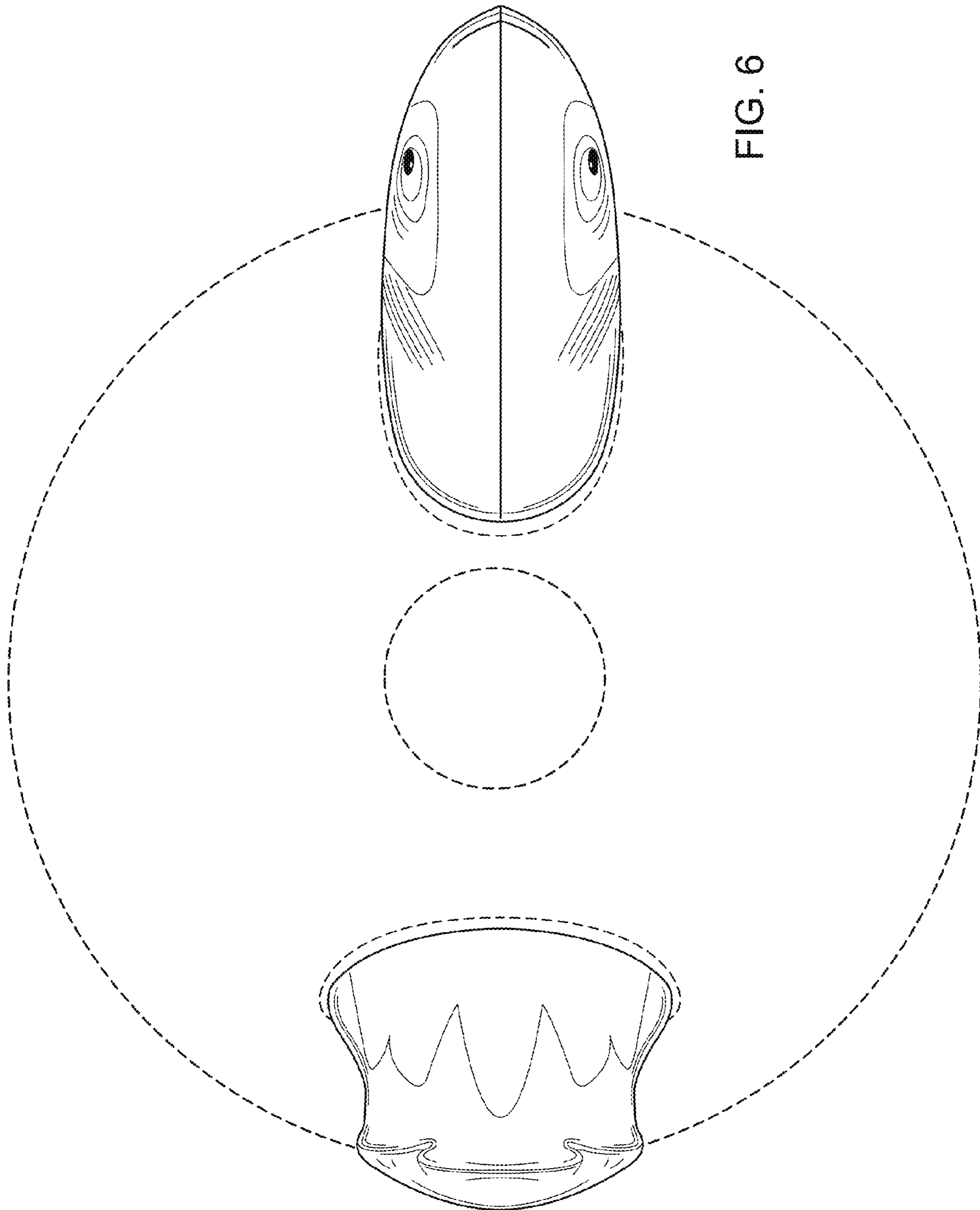


FIG. 6

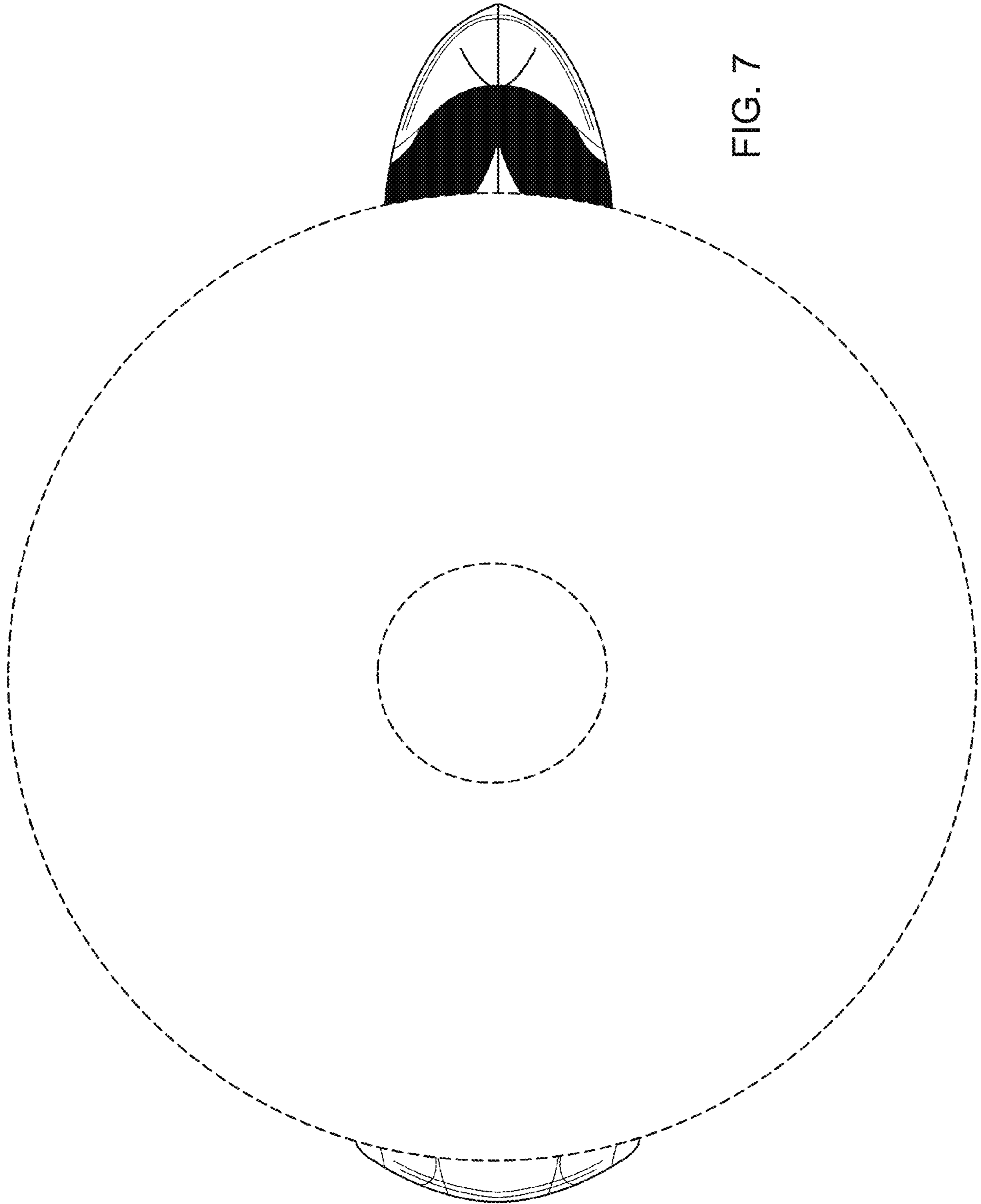


FIG. 7